



US00D921167S

(12) **United States Design Patent**  
**Pohl et al.**

(10) **Patent No.:** **US D921,167 S**  
(45) **Date of Patent:** **\*\* Jun. 1, 2021**

(54) **COVER FOR LINEAR SHOWER DRAIN**

(71) Applicant: **ARTEFAKT design pohl/fiegl gbl**,  
Darmstadt (DE)

(72) Inventors: **Achim Pohl**, Darmstadt (DE); **Thomas Fiegl**, Darmstadt (DE)

(73) Assignee: **Artefakt Industriekultur**, Darmstadt (DE)

(\*\*) Term: **15 Years**

(21) Appl. No.: **29/747,819**

(22) Filed: **Aug. 25, 2020**

**Related U.S. Application Data**

(62) Division of application No. 35/507,390, filed on Mar. 8, 2019 (U.S. filing date under 35 U.S.C. 384), and having an international filing date of Mar. 8, 2019, now Pat. No. Des. 909,544.

(51) **LOC (13) Cl.** ..... **23-01**

(52) **U.S. Cl.**  
USPC ..... **D23/261**  
CPC ..... **E03F 5/06** (2013.01)

(58) **Field of Classification Search**  
USPC ..... D23/259–262, 208–210, 267, 268,  
D23/386–388, 397, 400, 406; 210/164;  
4/222.1, 255.07, 286–293, 680–682, 694;  
404/2–4, 42  
CPC .... E03C 1/23; E03C 1/26; E03C 1/262; E03F  
5/06; E03F 5/0407; E03F 5/052  
See application file for complete search history.

(56) **References Cited**

**U.S. PATENT DOCUMENTS**

D421,101 S \* 2/2000 Barnett ..... D23/261  
7,066,685 B2 \* 6/2006 Humphries ..... E03F 5/06  
210/163  
D532,877 S \* 11/2006 Hisey ..... D23/304

D563,528 S \* 3/2008 Diamond ..... D23/261  
D575,881 S \* 8/2008 Diamond ..... D25/156  
D587,346 S \* 2/2009 Diamond ..... D23/261  
8,043,497 B2 \* 10/2011 Silverstein ..... E03F 5/0407  
210/164  
D663,387 S \* 7/2012 Mjelde ..... D23/261  
8,239,974 B2 \* 8/2012 Erlebach ..... E03F 5/04  
4/291  
D687,524 S \* 8/2013 Heiser ..... D23/261  
D687,525 S \* 8/2013 Heiser ..... D23/261  
D694,863 S \* 12/2013 Brodey ..... D23/261  
8,850,633 B2 \* 10/2014 Erlebach ..... E03F 5/04  
4/679

(Continued)

*Primary Examiner* — Richard E Chilcot

(74) *Attorney, Agent, or Firm* — Paul & Paul

(57) **CLAIM**

An ornamental design for a cover for a linear shower drain, as shown and described.

**DESCRIPTION**

FIG. 1 is a top plan view of a cover for a linear shower drain according to the present invention.

FIG. 2 is a bottom plan view of the cover for a linear shower drain of FIG. 1.

FIG. 3 is a front elevational view of the cover for a linear shower drain of FIG. 1. The rear of the cover for a linear shower drain has the same appearance like the front of the cover for a linear shower drain.

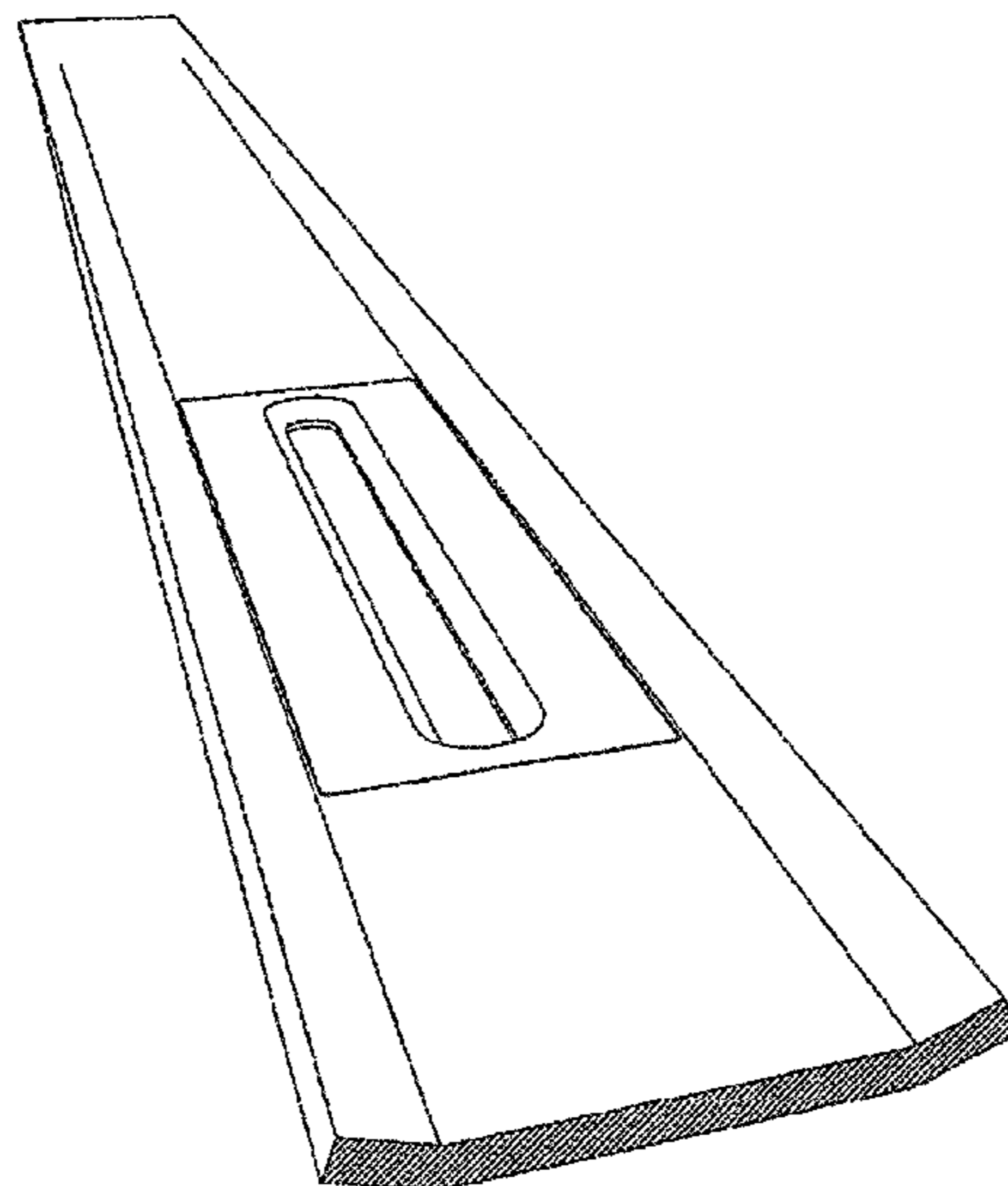
FIG. 4 is a left side elevational view of the cover for a linear shower drain of FIG. 1. The right side of the cover for a linear shower drain has the same appearance like the left side of the cover for a linear shower drain.

FIG. 5 is a perspective view of the cover for a linear shower drain of FIG. 1.

FIG. 6 is a perspective view of the cover for a linear shower drain of FIG. 1 showing a partial cross-section of the cover; and,

FIG. 7 is an exploded perspective view of the cover for a linear shower drain of FIG. 1.

**1 Claim, 7 Drawing Sheets**



(56)

**References Cited**

U.S. PATENT DOCUMENTS

D720,837	S *	1/2015	Bernoti	.....	D23/260
D721,424	S *	1/2015	Bernoti	.....	D23/260
D721,795	S *	1/2015	Bernoti	.....	D23/260
D722,139	S *	2/2015	Bernoti	.....	D23/260
D722,365	S *	2/2015	Bernoti	.....	D23/259
D723,139	S *	2/2015	Bernoti	.....	D23/260
D736,354	S *	8/2015	Lucas	.....	D23/261
D736,355	S *	8/2015	Lucas	.....	D23/261
D763,432	S *	8/2016	Carroll	.....	D23/388
D776,246	S *	1/2017	Licini	.....	D23/261
D779,051	S *	2/2017	Carroll	.....	D23/388
9,611,634	B2 *	4/2017	Erlebach	.....	E03F 5/0408
D843,550	S *	3/2019	Oatey	.....	D23/261
D865,424	S *	11/2019	Kinoshita	.....	D6/716.7
2008/0017562	A1 *	1/2008	Tripodi	.....	E03F 5/14 210/163
2008/0104910	A1 *	5/2008	Andras	.....	E03F 5/0407 52/302.3
2008/0271232	A1 *	11/2008	Self	.....	E03C 1/264 4/292
2014/0223659	A1 *	8/2014	Gay	.....	E03C 1/244 4/694

\* cited by examiner



Fig. 1

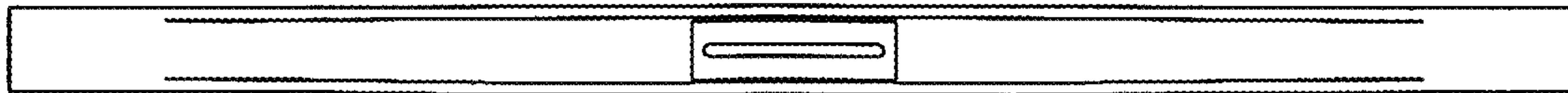


Fig. 2

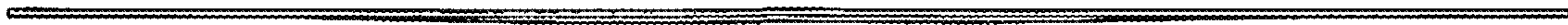


Fig. 3



Fig. 4

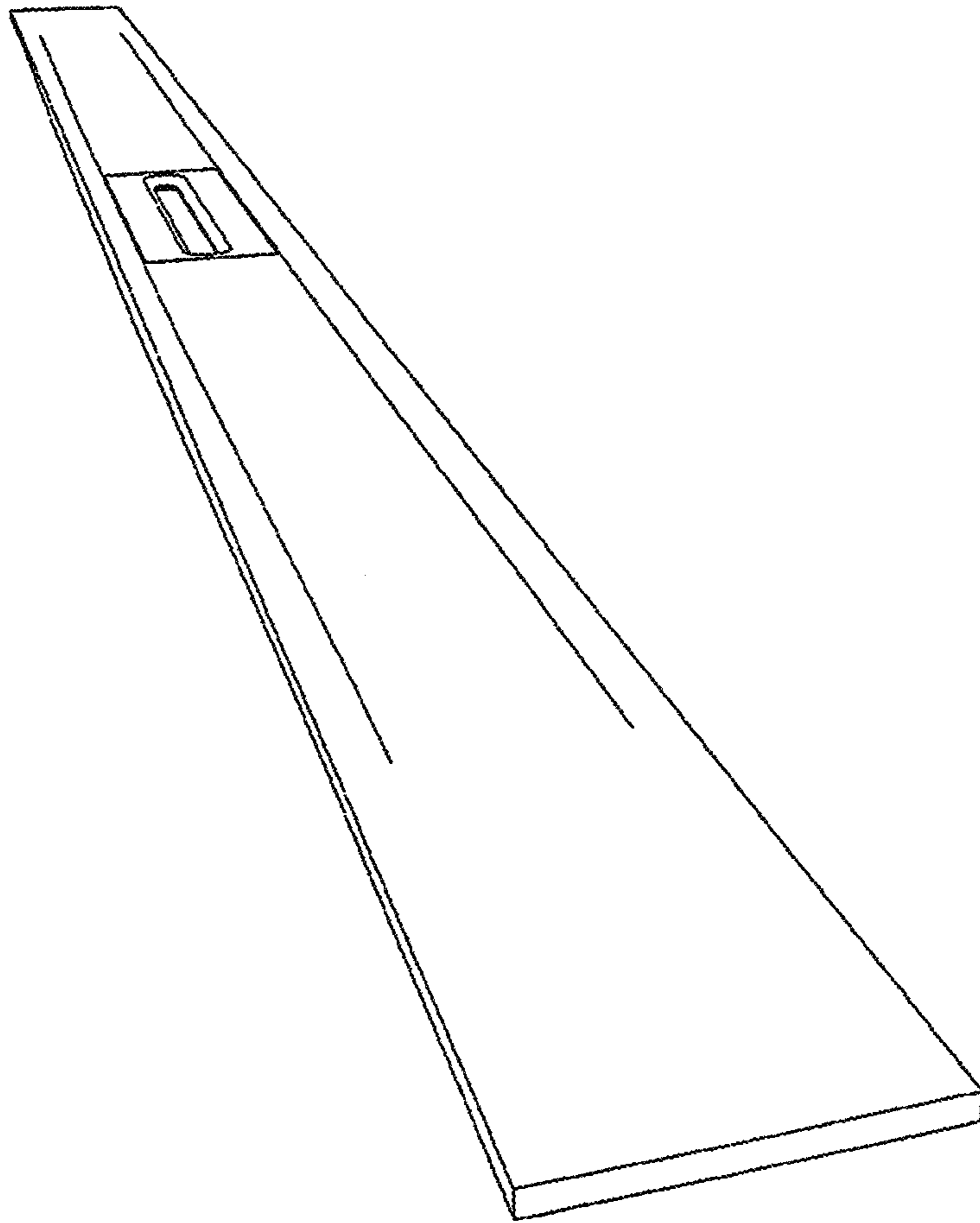


Fig. 5

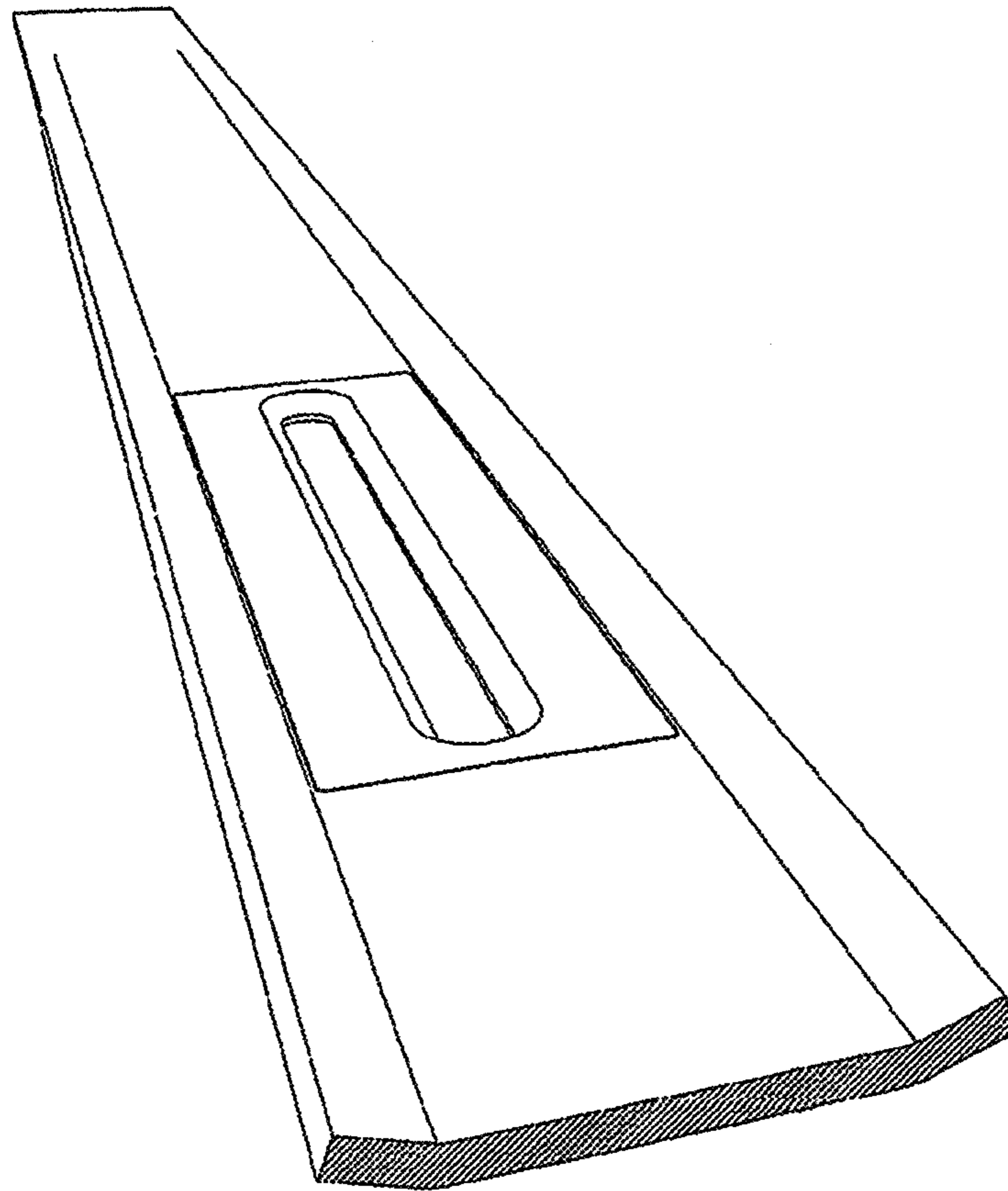


Fig. 6



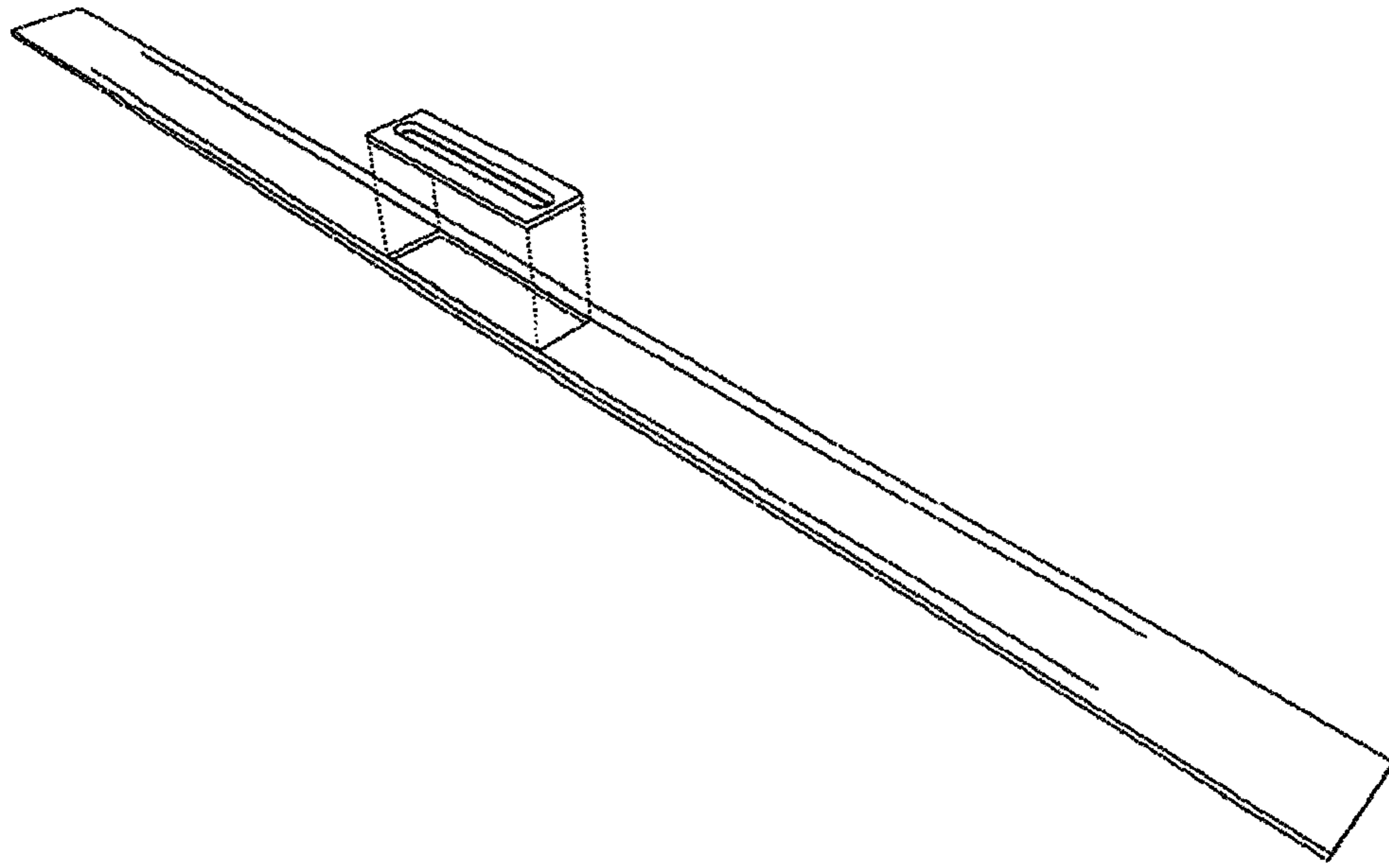


Fig. 7