



US00D921164S

(12) **United States Design Patent** (10) **Patent No.:** **US D921,164 S**
Norton et al. (45) **Date of Patent:** **** Jun. 1, 2021**

(54) **BRIDGE PIECE** 679,570 A * 7/1901 McClurg A62C 33/06
104/275
(71) Applicant: **Cleveland Reclaim Industries, Inc.**, 982,924 A 1/1911 Bardon
Lorain, OH (US) 1,914,830 A 6/1933 Kostohris
2,166,516 A 7/1939 Bainbridge
(72) Inventors: **Tom Norton**, Bay Village, OH (US); 2,539,343 A 1/1951 Boose
Stephen P. Casteel, Canal Fulton, OH D205,277 S 7/1966 Gilchrist
(US); **Michael W. Jackson**, Wooster, 3,855,752 A * 12/1974 Aylon E04B 2/52
OH (US) 52/605
4,101,100 A 7/1978 Smith et al.
(73) Assignee: **Cleveland Reclaim Industries, Inc.**,
Lorain, OH (US) (Continued)

FOREIGN PATENT DOCUMENTS

(**) Term: **15 Years** CN 105214267 9/2015
GB 485673 7/1938

(21) Appl. No.: **29/766,416** (Continued)

(22) Filed: **Jan. 15, 2021**
Related U.S. Application Data
Primary Examiner — Amy C Wierenga
(74) *Attorney, Agent, or Firm* — Calfee, Halter & Griswold LLP

(63) Continuation of application No. 29/679,834, filed on Feb. 11, 2019, now Pat. No. Des. 908,845, which is a continuation of application No. 29/544,094, filed on Oct. 30, 2015, now Pat. No. Des. 844,757.

(51) **LOC (13) Cl.** **23-01**

(52) **U.S. Cl.**
USPC **D23/259**; D25/113

(58) **Field of Classification Search**
USPC D23/259–261, 262–266; D8/354, 396;
D13/155; D34/32; D25/123, 125,
D25/113–118; 104/275–277; 404/15;
138/106, 110
CPC E02B 3/00; E02B 3/04; E02B 3/14; E02B
3/122; E02B 3/123; H02G 9/025; H02G
9/02; H02G 9/04

See application file for complete search history.

(56) **References Cited**

U.S. PATENT DOCUMENTS

72,028 A 12/1867 Haase
96,559 A 11/1869 Donoghue et al.

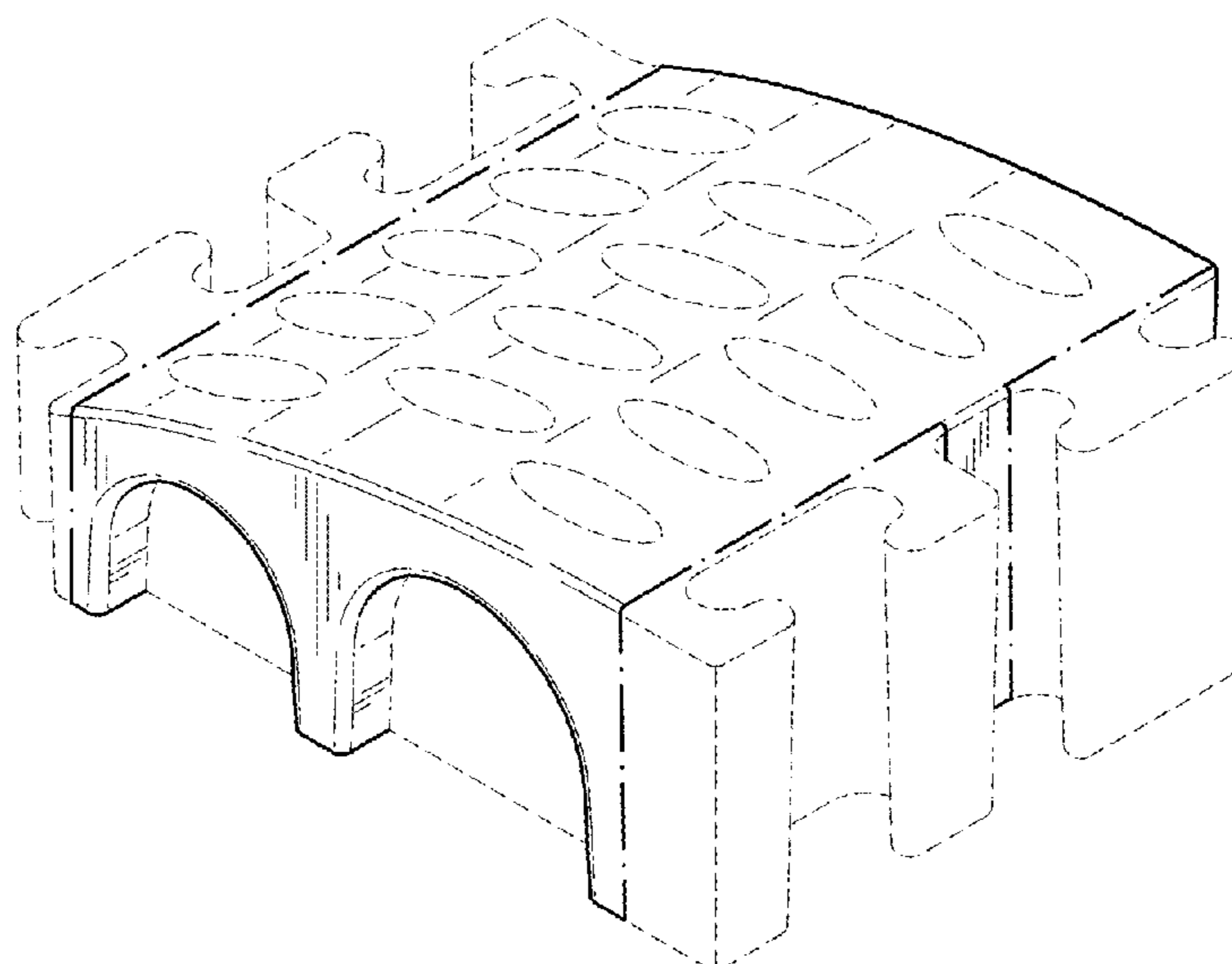
(57) **CLAIM**

We claim the ornamental design for a bridge piece, as shown and described.

DESCRIPTION

FIG. 1 is a front/right/top perspective view of a bridge piece; FIG. 2 is a front elevational view thereof; FIG. 3 is a rear elevational view thereof; FIG. 4 is a left side elevational view thereof; FIG. 5 is a right side elevational view thereof; FIG. 6 is a top plan view thereof; and, FIG. 7 is a bottom plan view thereof. The dash-dot broken lines and the uniformly broken lines immediately adjacent shaded areas represent the bounds of the claimed design. All other broken lines represent portions of the bridge piece that form no part of the claimed design.

1 Claim, 4 Drawing Sheets



(56)

References Cited

U.S. PATENT DOCUMENTS

4,370,075 A * 1/1983 Scales E01C 9/004
 405/20
 D298,464 S * 11/1988 Roote D25/117
 D313,102 S 12/1990 Cano
 D370,717 S 6/1996 Ziaylek, Jr. et al.
 5,566,622 A 10/1996 Ziaylek, Jr. et al.
 5,777,266 A 7/1998 Herman et al.
 D415,471 S 10/1999 Henry
 D418,818 S * 1/2000 Henry D13/155
 6,067,681 A 5/2000 Zeinstra et al.
 D436,578 S 1/2001 Henry
 D437,832 S 2/2001 Henry
 6,202,565 B1 * 3/2001 Henry A62C 33/06
 104/275
 6,287,047 B1 9/2001 Dufresne
 D463,041 S 9/2002 Dice
 6,508,041 B1 1/2003 Boot
 6,866,446 B2 3/2005 McAllister et al.
 6,878,881 B1 4/2005 Henry
 D552,217 S * 10/2007 Norton D23/259
 7,309,836 B2 12/2007 Lubanski
 D567,913 S * 4/2008 Norton D23/259
 7,394,025 B1 * 7/2008 Wong H02G 3/305
 104/275
 D583,771 S 12/2008 Lubanski
 D587,159 S 2/2009 Dholakiya
 7,595,450 B2 9/2009 Lubanski
 8,123,435 B1 2/2012 DeShaw et al.

D673,658 S 1/2013 Dufresne
 D688,809 S * 8/2013 McAllister D25/113
 8,678,704 B1 3/2014 Smith et al.
 D705,514 S 5/2014 Tai
 D706,513 S 6/2014 LaBarbera et al.
 D719,519 S * 12/2014 Mathena D13/155
 D725,748 S 3/2015 Lake
 1,137,313 A1 4/2015 Hamilton
 9,059,574 B2 * 6/2015 Coffman H02G 9/04
 9,438,022 B2 9/2016 Lioi
 D772,431 S 11/2016 Norton et al.
 9,512,582 B2 12/2016 Hill
 9,834,927 B2 12/2017 Huff
 D815,306 S 4/2018 Norton et al.
 D844,757 S 4/2019 Norton et al.
 D899,566 S 10/2020 Norton et al.
 D906,486 S 12/2020 Norton et al.
 D908,845 S 1/2021 Norton et al.
 2002/0078513 A1 6/2002 Schouest
 2007/0277894 A1 12/2007 Boone et al.
 2010/0282352 A1 11/2010 Maue et al.
 2010/0303555 A1 * 12/2010 Herse E04C 1/395
 405/286
 2013/0048439 A1 2/2013 Marcum

FOREIGN PATENT DOCUMENTS

GB 911043 11/1962
 JP 3292910 10/1996
 KR 20100036837 9/2008

* cited by examiner

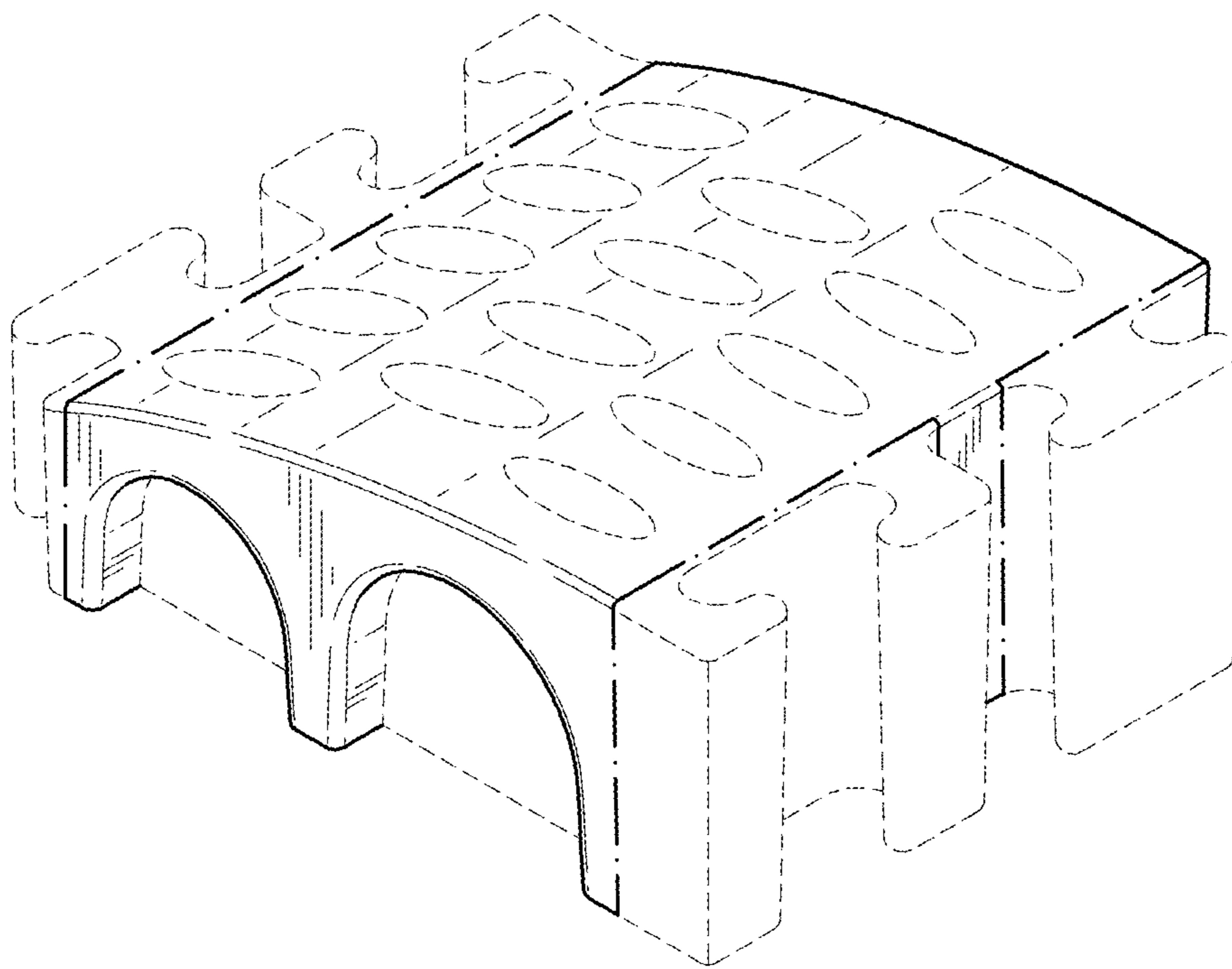


FIG. 1

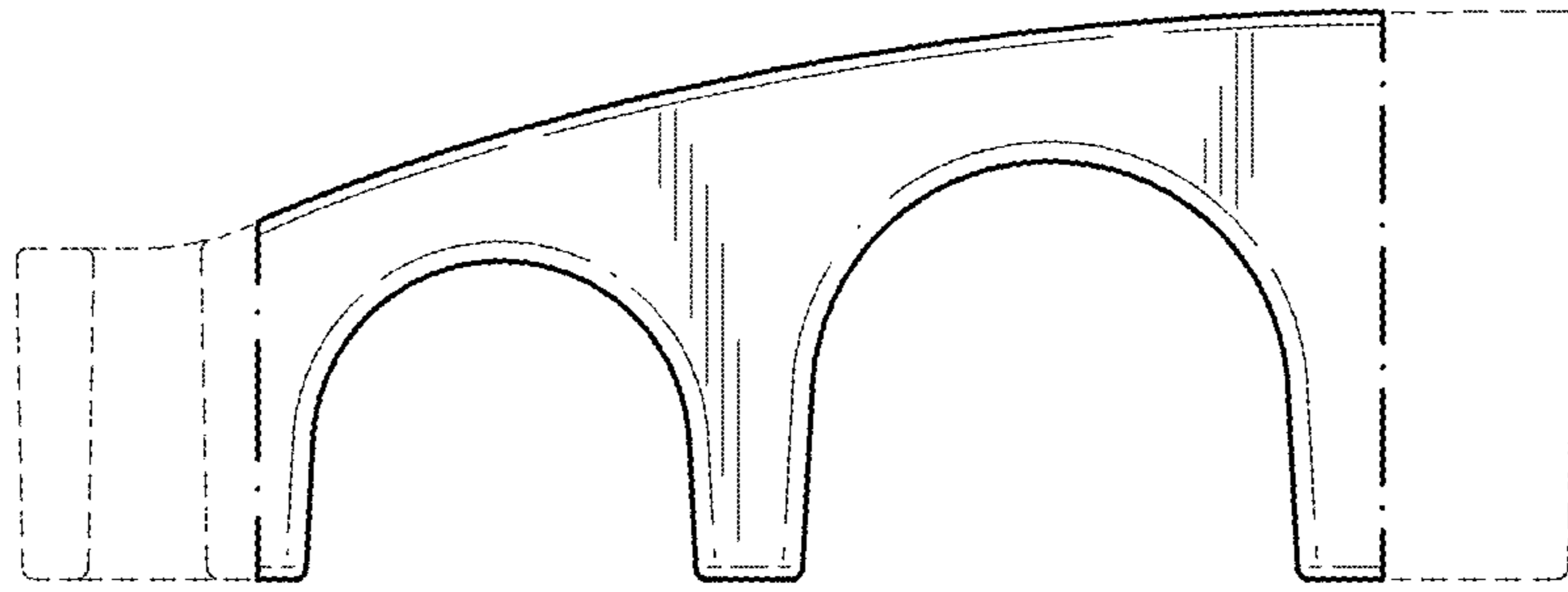


FIG. 2

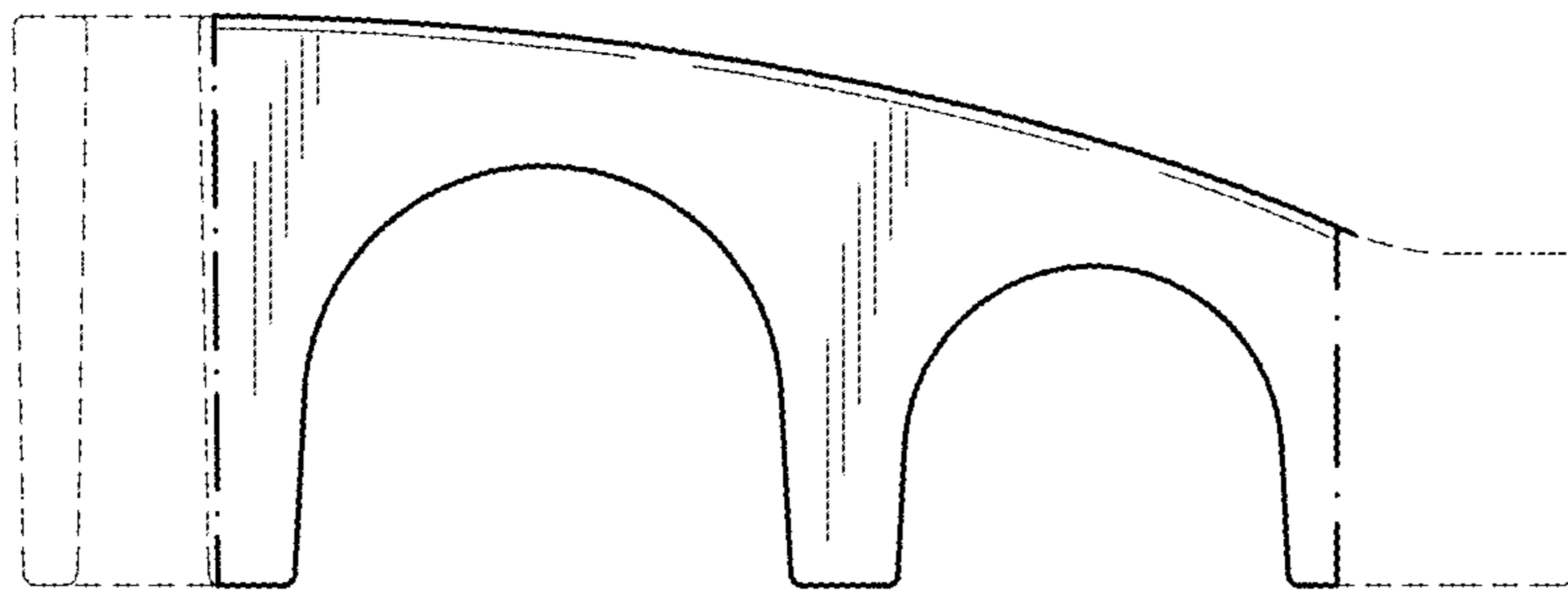


FIG. 3

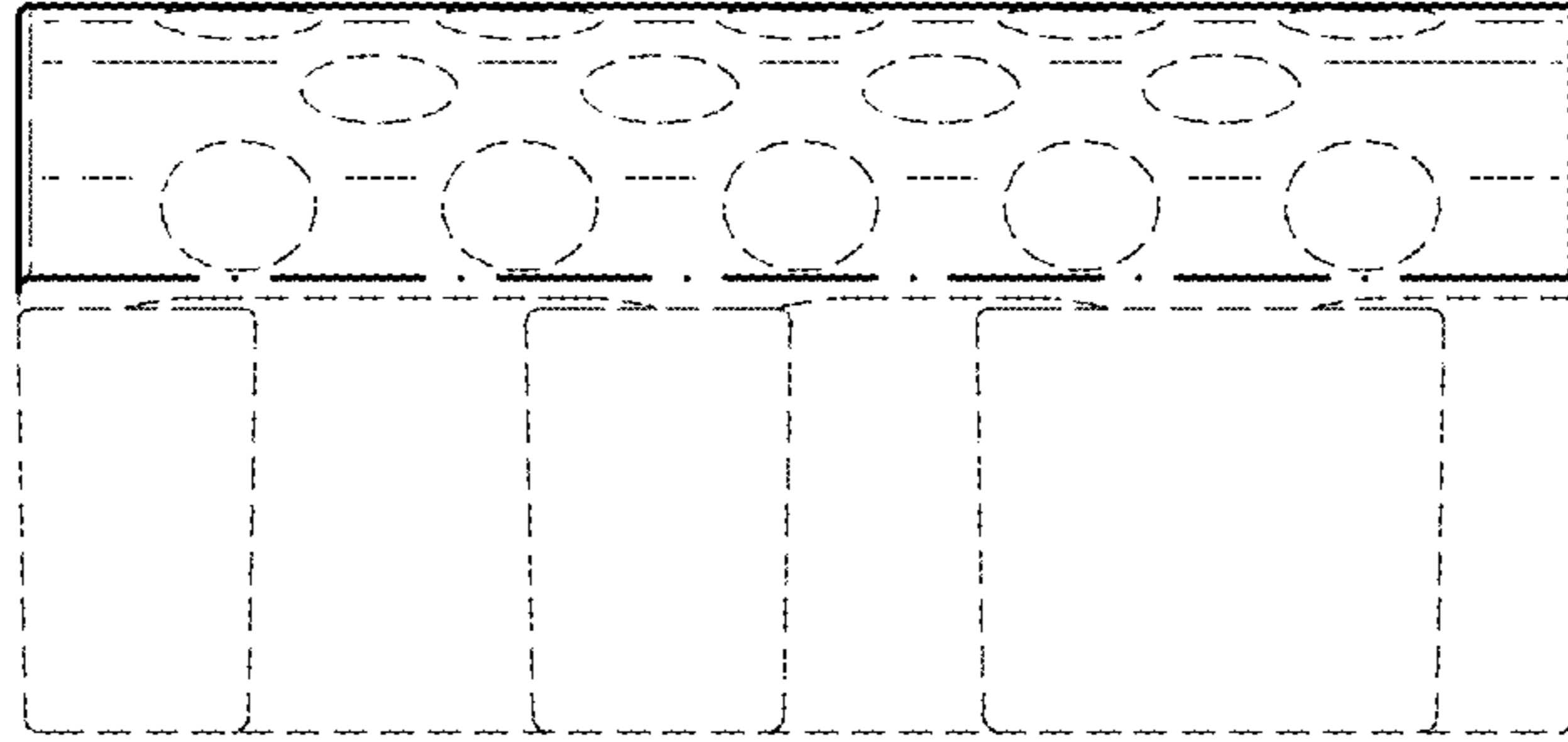


FIG. 4

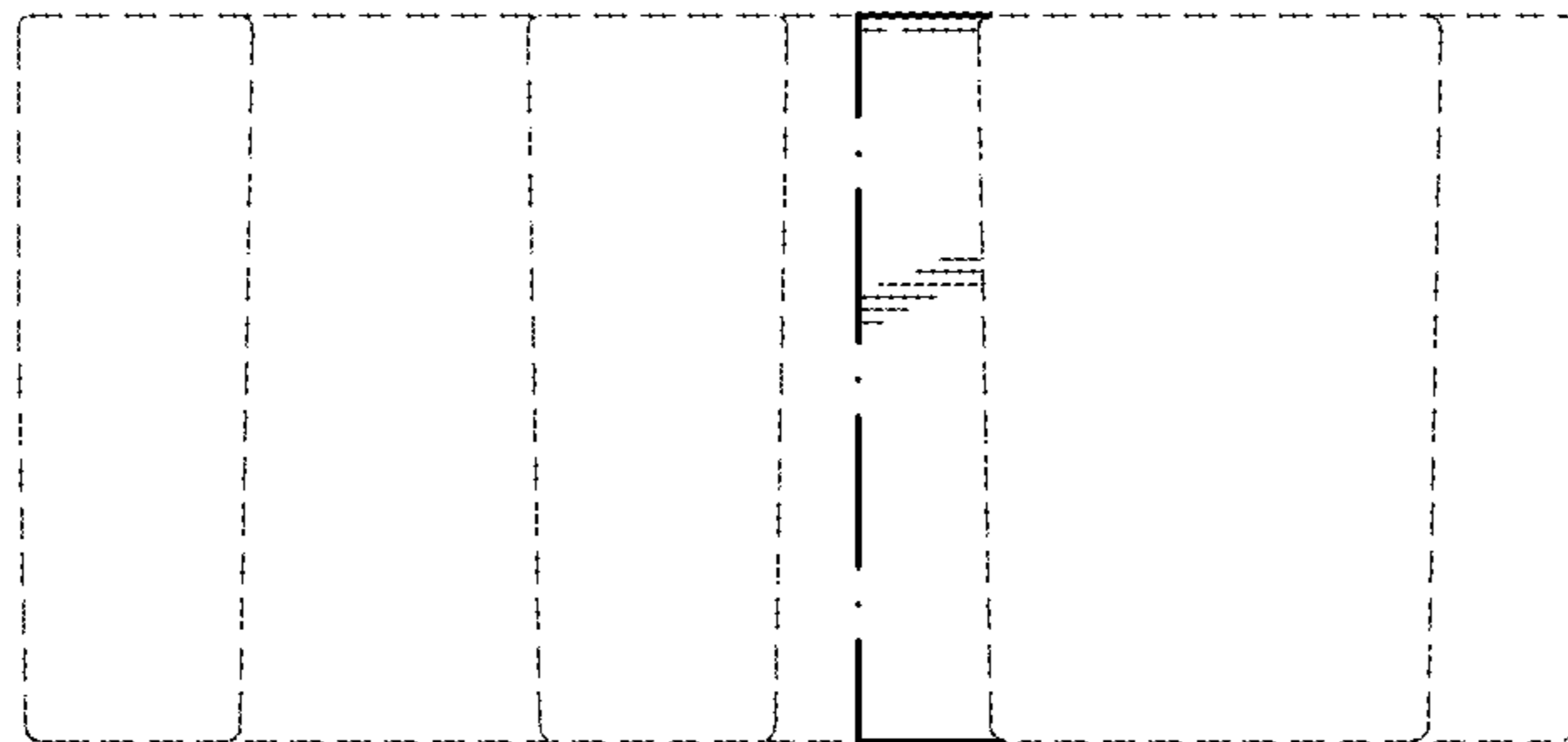


FIG. 5

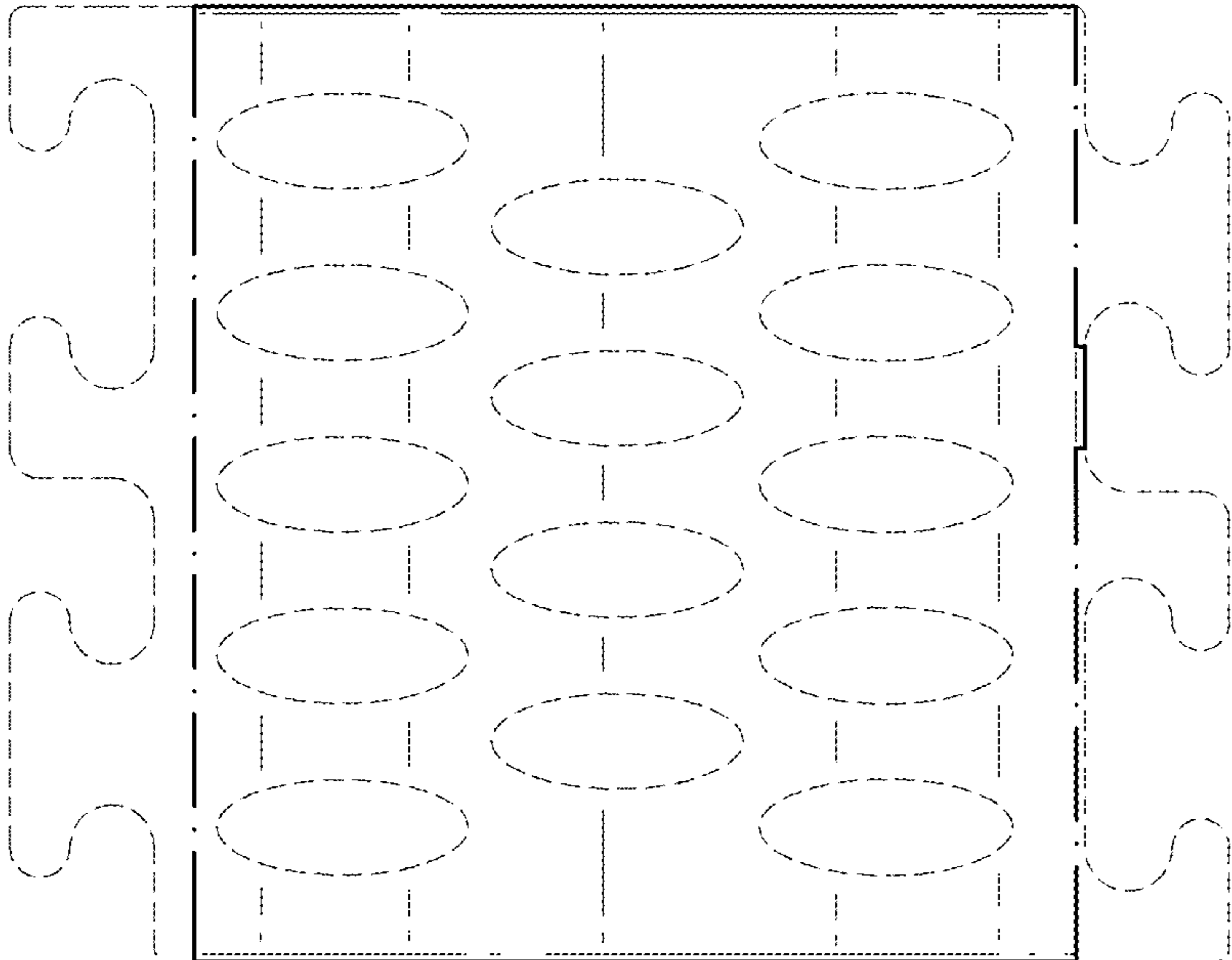


FIG. 6

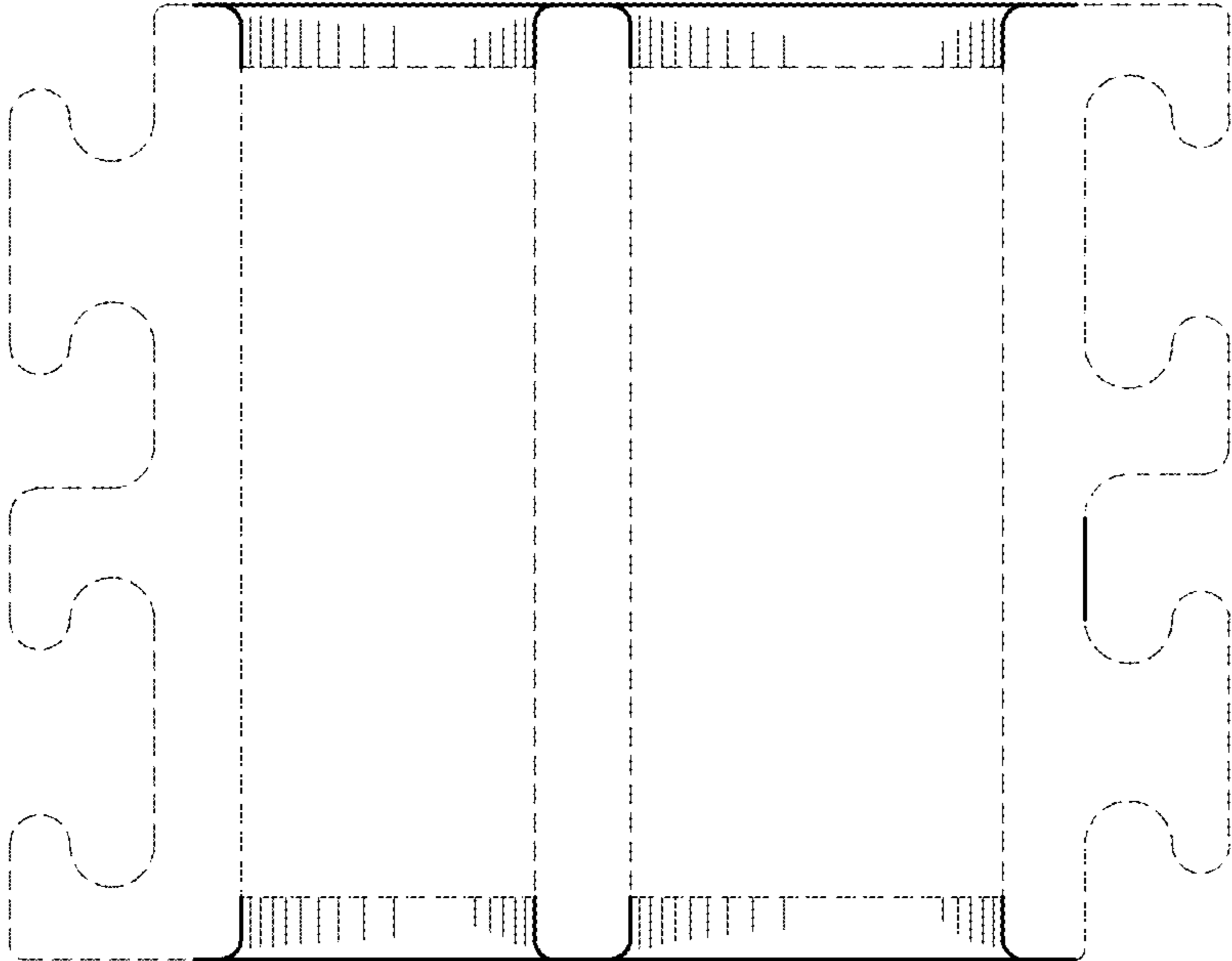


FIG. 7