



US00D921163S

(12) **United States Design Patent**  
**Hurley**

(10) **Patent No.: US D921,163 S**

(45) **Date of Patent: \*\* Jun. 1, 2021**

(54) **AC CONDENSATE DRAIN LINE  
EVACUATION ADAPTER WITH VIEWPORT**

(71) Applicant: **Mark Hurley**, Taylors, SC (US)

(72) Inventor: **Mark Hurley**, Taylors, SC (US)

(\*\*) Term: **15 Years**

(21) Appl. No.: **29/709,665**

(22) Filed: **Oct. 16, 2019**

(51) **LOC (13) Cl.** ..... **23-01**

(52) **U.S. Cl.**  
USPC ..... **D23/259**

(58) **Field of Classification Search**  
USPC ..... D23/259-263, 265-269, 213, 247, 341,  
D23/354, 358, 386; D32/35; 285/93,  
285/123.3, 148.23, 148.24, 179; 134/172  
CPC ..... F16L 37/252; F24F 13/222  
See application file for complete search history.

(56) **References Cited**

**U.S. PATENT DOCUMENTS**

D229,409 S *	11/1973	Luckenbill	.....	D23/263
D564,637 S *	3/2008	Brockington	.....	D23/263
D598,985 S *	8/2009	Smith	.....	D23/259
D634,820 S *	3/2011	Leroyer	.....	D23/263
D691,709 S *	10/2013	Franzino	.....	D23/266

D729,357 S *	5/2015	Ball	.....	E03C 1/22 D23/263
D741,458 S *	10/2015	Guest	.....	D23/262
D783,784 S *	4/2017	Bates-Hurtado	.....	D23/266
D783,786 S *	4/2017	Madireddi	.....	D23/266
D796,010 S *	8/2017	Downie	.....	D23/263
D804,618 S *	12/2017	Hurley	.....	D23/259
2014/0062077 A1 *	3/2014	Hurley	.....	F24F 13/222 285/7
2017/0321827 A1 *	11/2017	Lee	.....	F16L 19/062

\* cited by examiner

*Primary Examiner* — Amy C Wierenga

(74) *Attorney, Agent, or Firm* — McHale & Slavin, P.A.

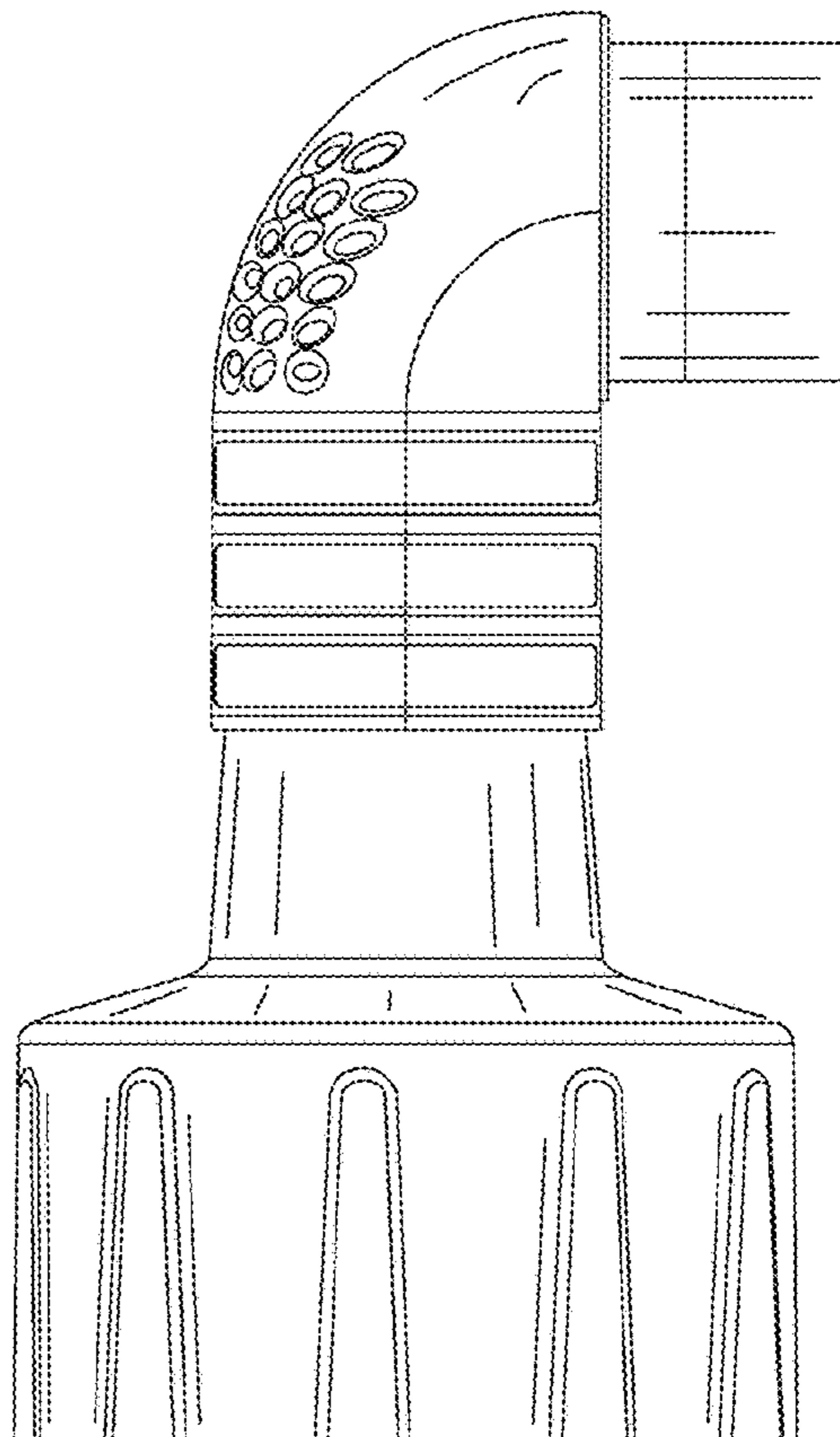
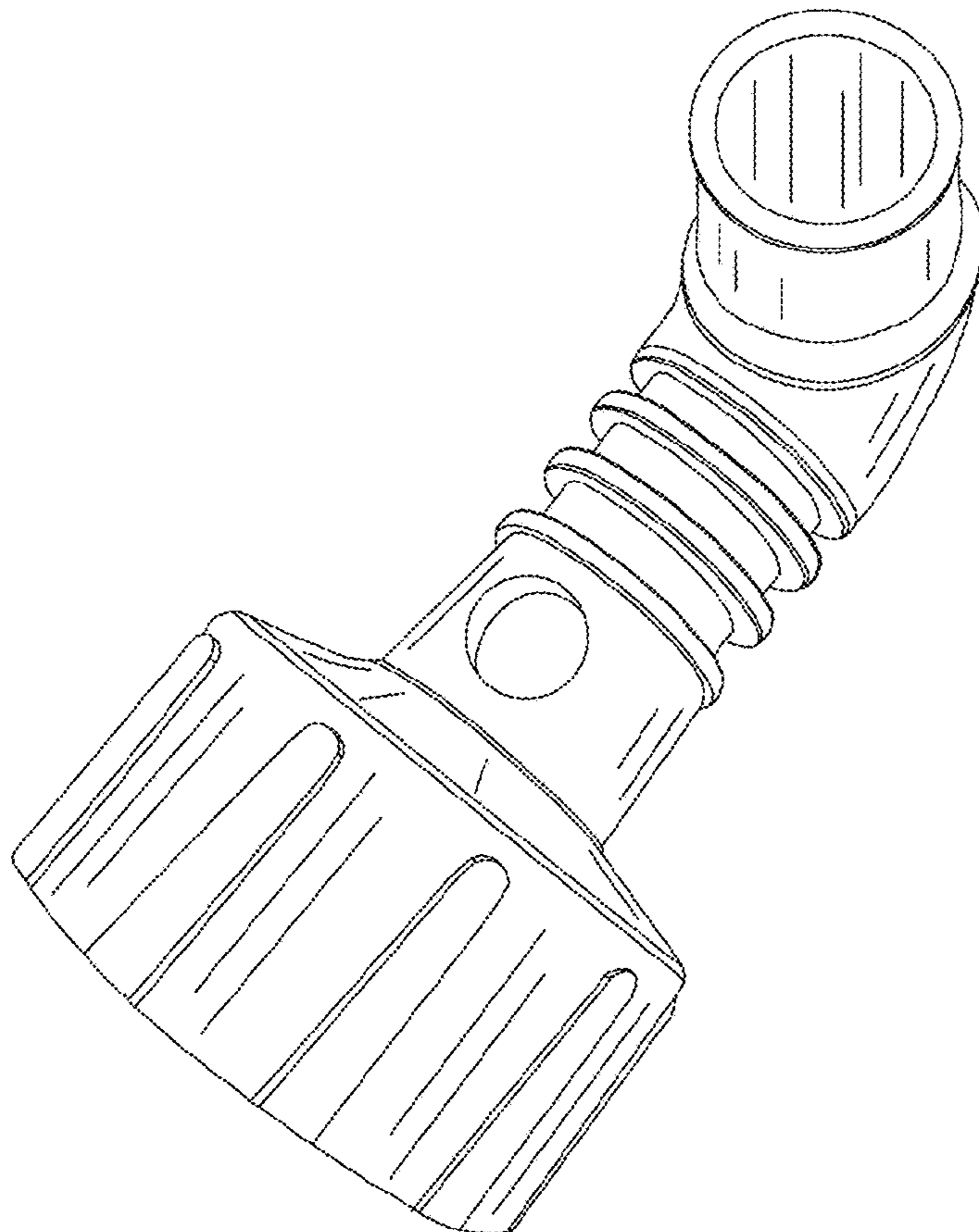
(57) **CLAIM**

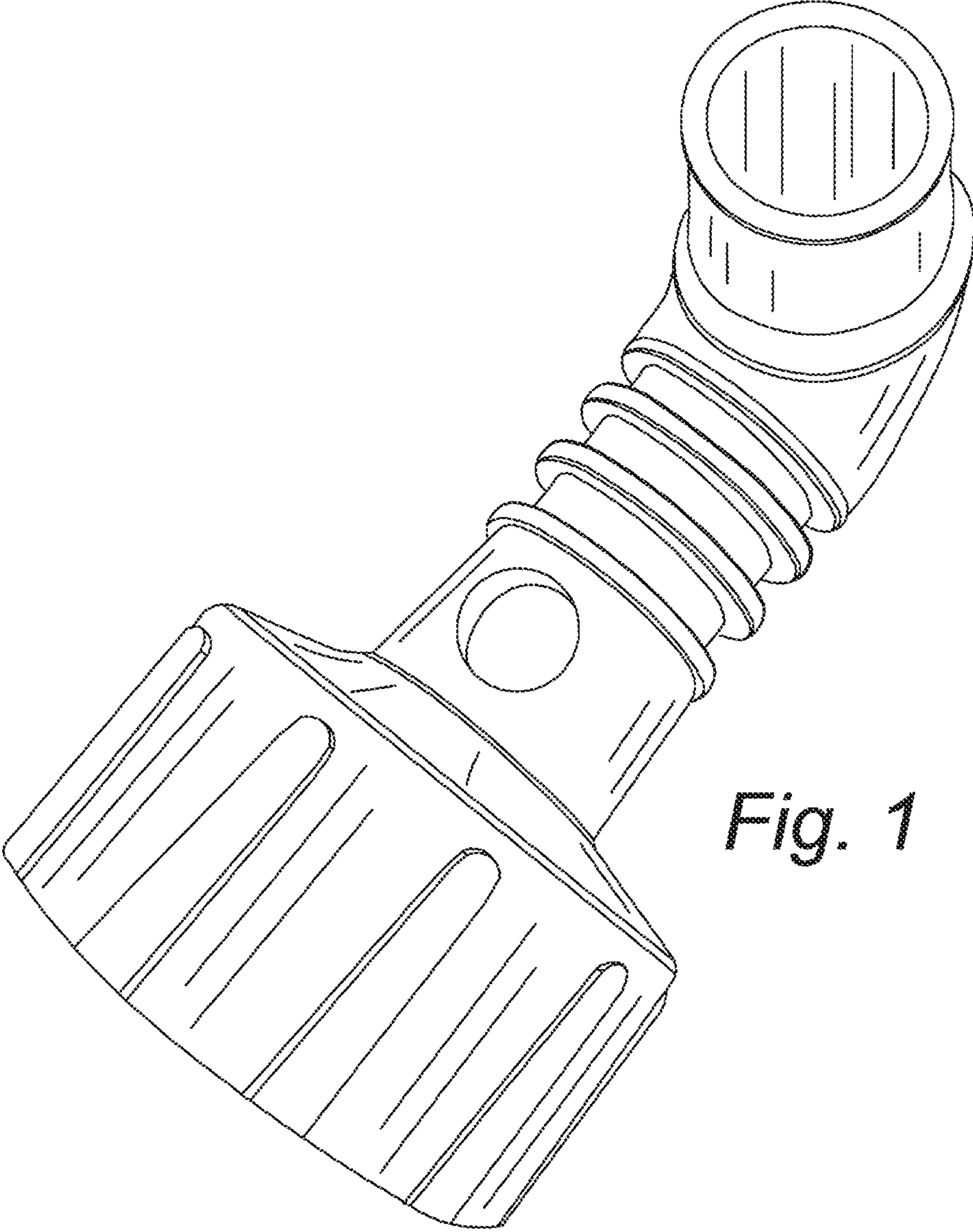
The ornamental design for an AC condensate drain line evacuation adapter with viewport, as shown and described.

**DESCRIPTION**

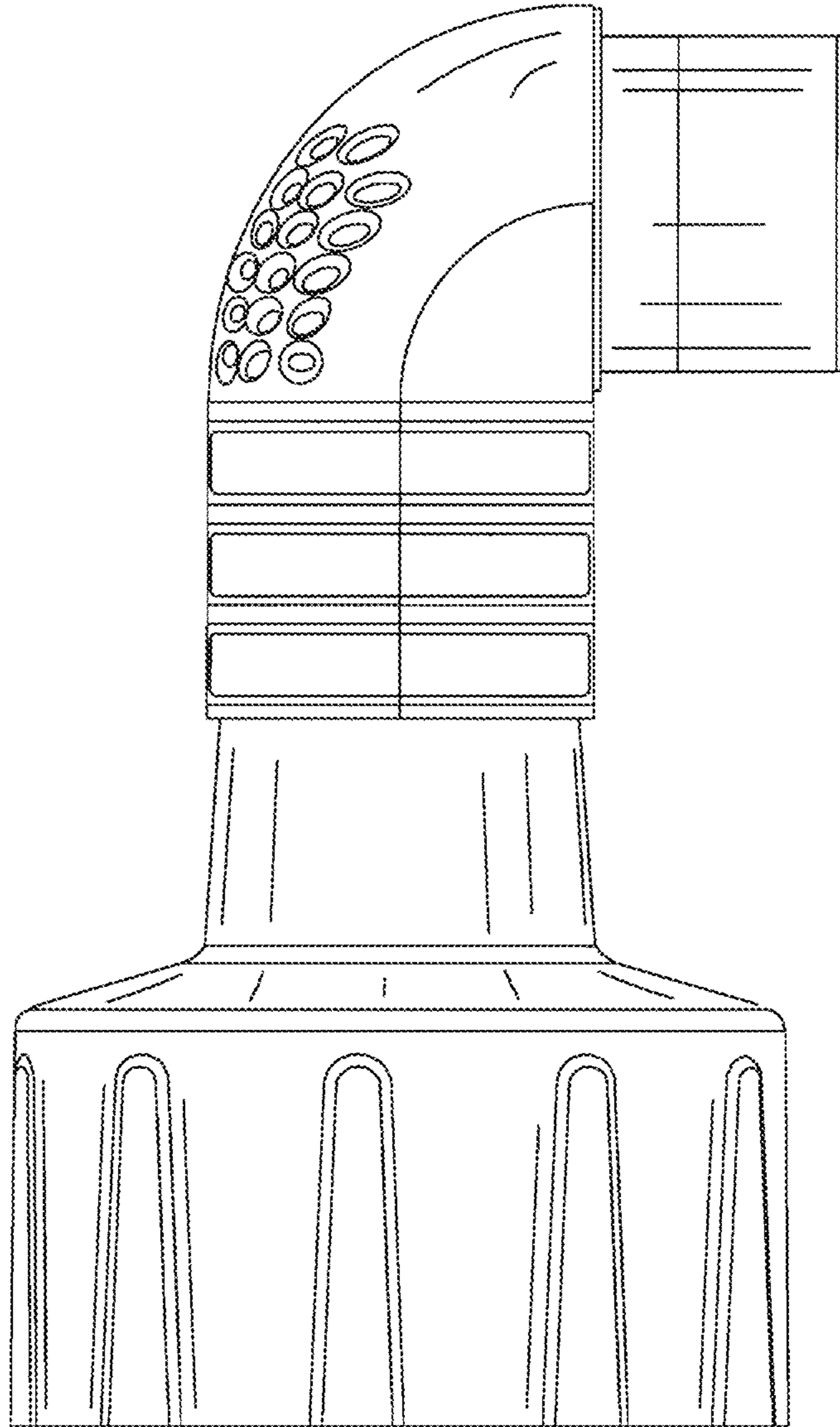
FIG. 1 is a perspective view of an AC condensate drain line evacuation adapter with viewport of the instant invention; FIG. 2 is a left side view thereof, the right side view (not shown) forming a mirror image thereof; FIG. 3 is a front view thereof; FIG. 4 is a back view thereof; FIG. 5 is a top view thereof; and, FIG. 6 is a bottom view thereof.

**1 Claim, 6 Drawing Sheets**



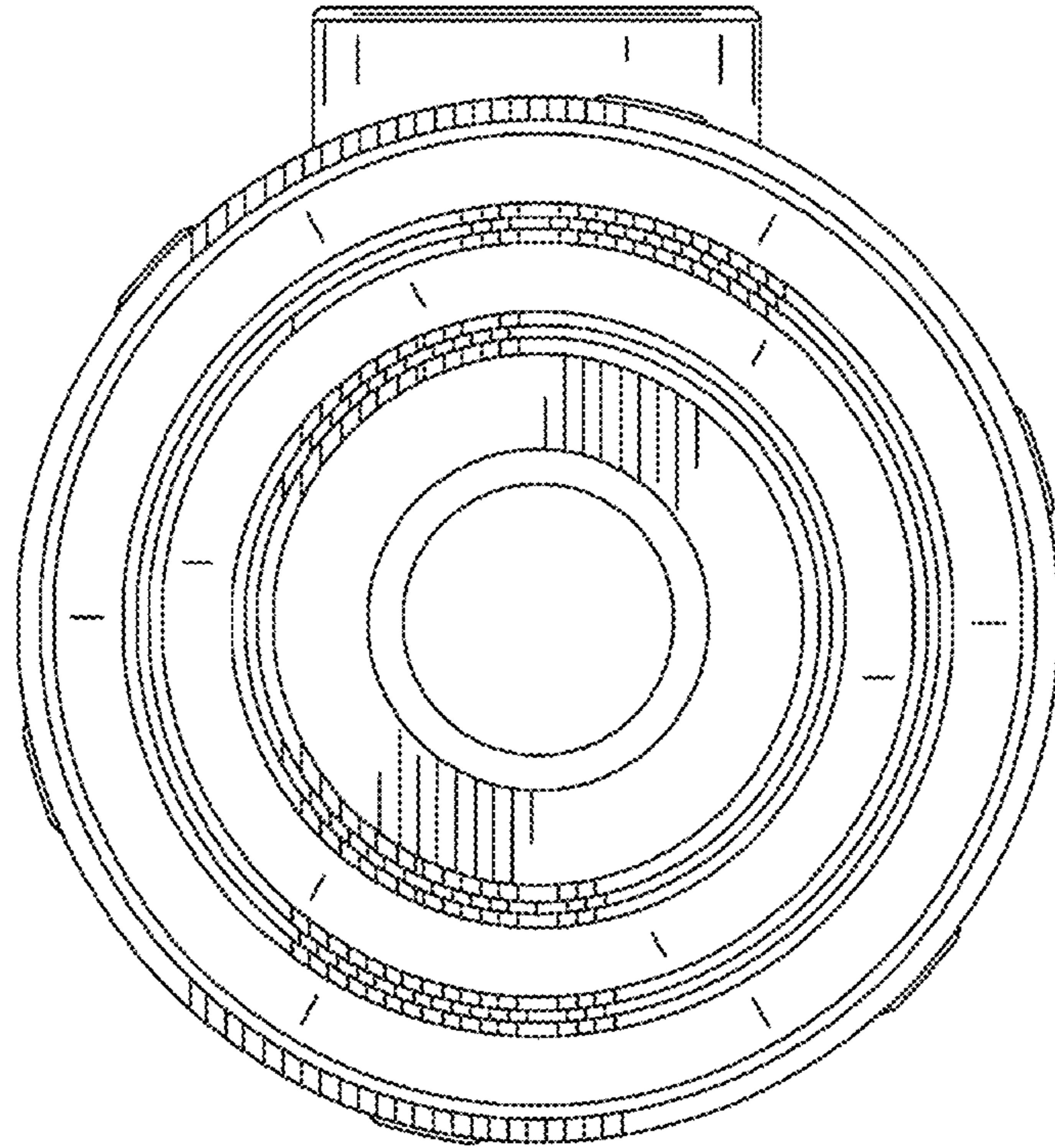


*Fig. 1*

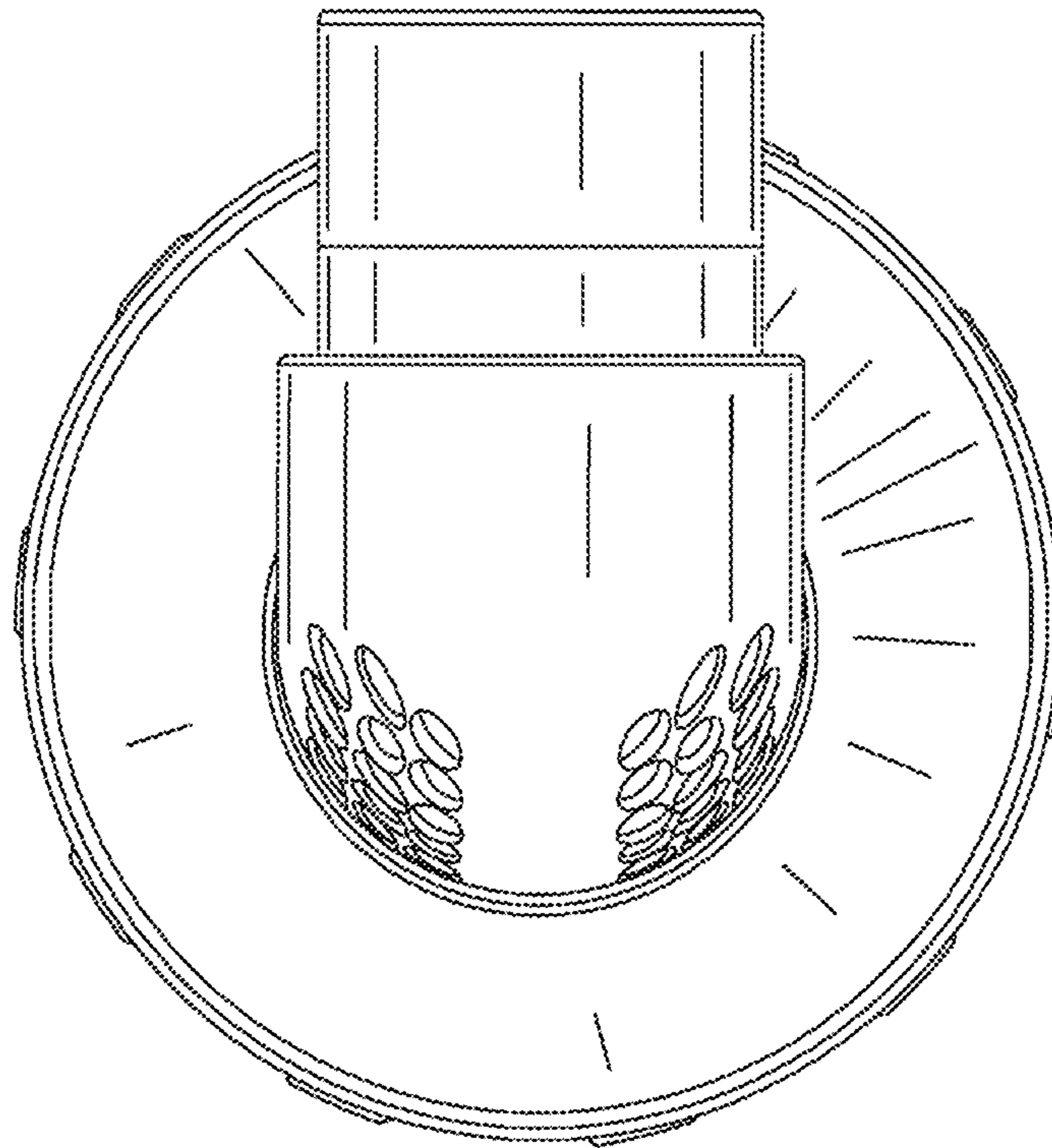


*Fig. 2*

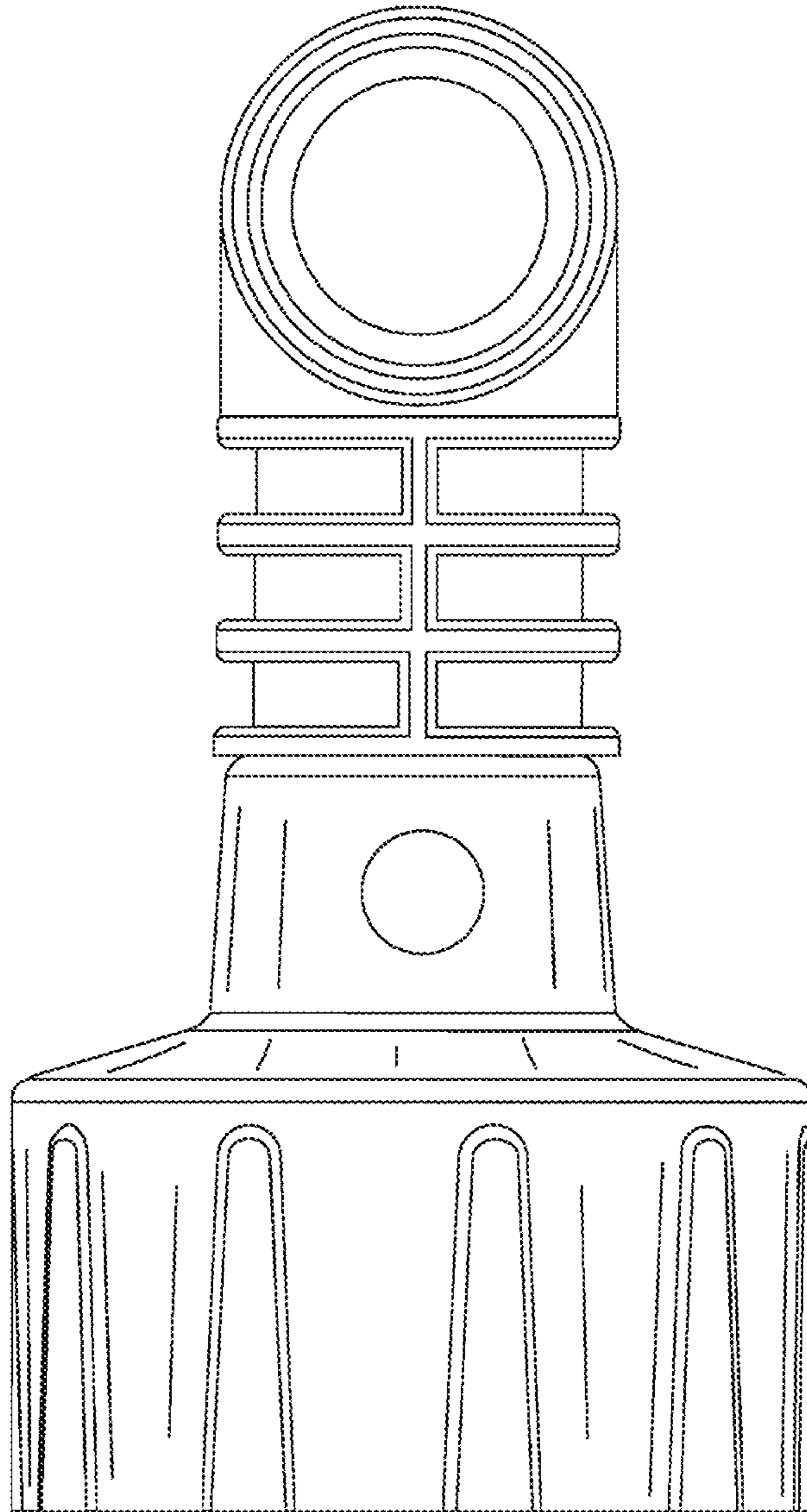




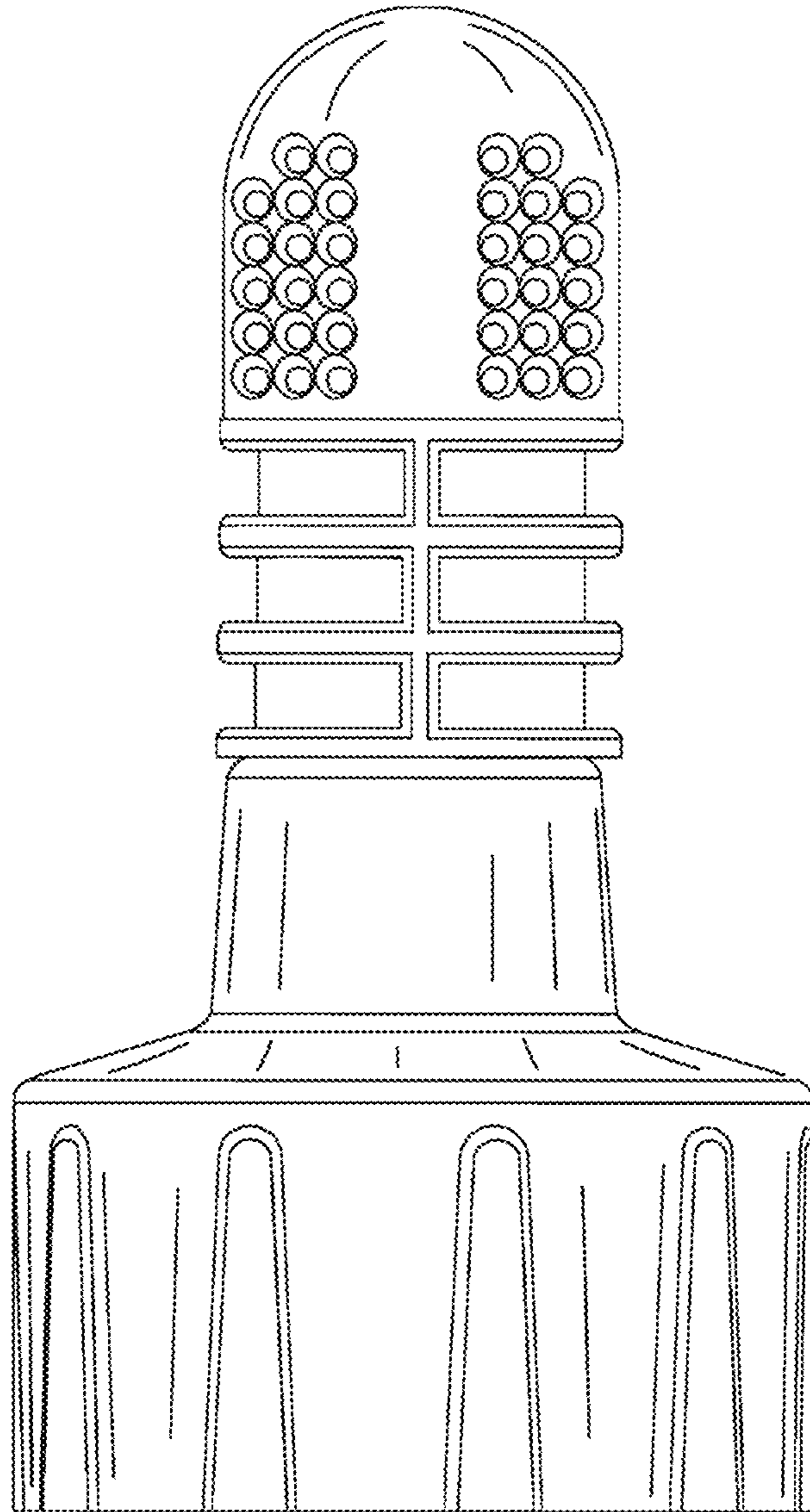
*Fig. 3*



*Fig. 4*



*Fig. 5*



*Fig. 6*