



US00D921162S

(12) **United States Design Patent**
Colvin et al.

(10) **Patent No.:** **US D921,162 S**
(45) **Date of Patent:** **** Jun. 1, 2021**

(54) **PROTECTIVE BOOT FOR A PROPANE TANK**

(71) Applicant: **Vanco Products, LLC**, Hudsonville, MI (US)

(72) Inventors: **Nathan Colvin**, Holland, MI (US);
John VandenBos, Holland, MI (US);
Richard Claypool, Grand Haven, MI (US)

(73) Assignee: **Vanco Products, LLC**, Hudsonville, MI (US)

(**) Term: **15 Years**

(21) Appl. No.: **29/697,042**

(22) Filed: **Jul. 3, 2019**

(51) **LOC (13) Cl.** **23-01**

(52) **U.S. Cl.**
USPC **D23/259**; D23/206

(58) **Field of Classification Search**
USPC D23/259, 206, 205; D32/25, 54;
D7/403-404, 409; 248/346.01, 346.06
CPC A47B 91/005; F17C 13/084; B65D 25/24
See application file for complete search history.

(56) **References Cited**

U.S. PATENT DOCUMENTS

D331,792 S *	12/1992	Wilcox	D23/206
D560,047 S *	1/2008	Kershaw	D32/54
D579,514 S *	10/2008	Kelps	D23/206
D658,267 S *	4/2012	Brockington	D23/206
D664,626 S *	7/2012	Devine	D23/206
D665,871 S *	8/2012	Coupe	D23/206
D669,153 S *	10/2012	Devine	D23/206
D682,982 S *	5/2013	Wood	D23/206
D733,380 S *	6/2015	Kessler	D32/54

D794,746 S *	8/2017	Kessler	D23/206
10,882,664 B2 *	1/2021	Nash	B65D 25/24
2014/0217106 A1 *	8/2014	Goncalves	F17C 13/00
				220/581
2014/0231439 A1 *	8/2014	Manser	F16M 11/04
				220/581

OTHER PUBLICATIONS

Cameo 57236 Cylinder Stabilizing Base for 20 & 30 lbs Propane Tank; Date first available Feb. 10, 2012; Visited Online Jan. 27, 2021; <https://www.amazon.com/Camco-57236-Cylinder-Stabilizing-Propane/dp/B007772154> (Year: 2012).*

(Continued)

Primary Examiner — Amy C Wierenga

(74) *Attorney, Agent, or Firm* — The Watson IP Group, PLC; Jovan N. Jovanovic

(57) **CLAIM**

The ornamental design for a protective boot for a propane tank, as shown and described.

DESCRIPTION

FIG. 1 of the drawings is a bottom perspective view of the protective boot for a propane tank showing, in particular, the ornamental design thereof;

FIG. 2 of the drawings is a top perspective view thereof;

FIG. 3 of the drawings is a top plan view thereof;

FIG. 4 of the drawings is a bottom plan view thereof;

FIG. 5 of the drawings is a first side elevational view thereof;

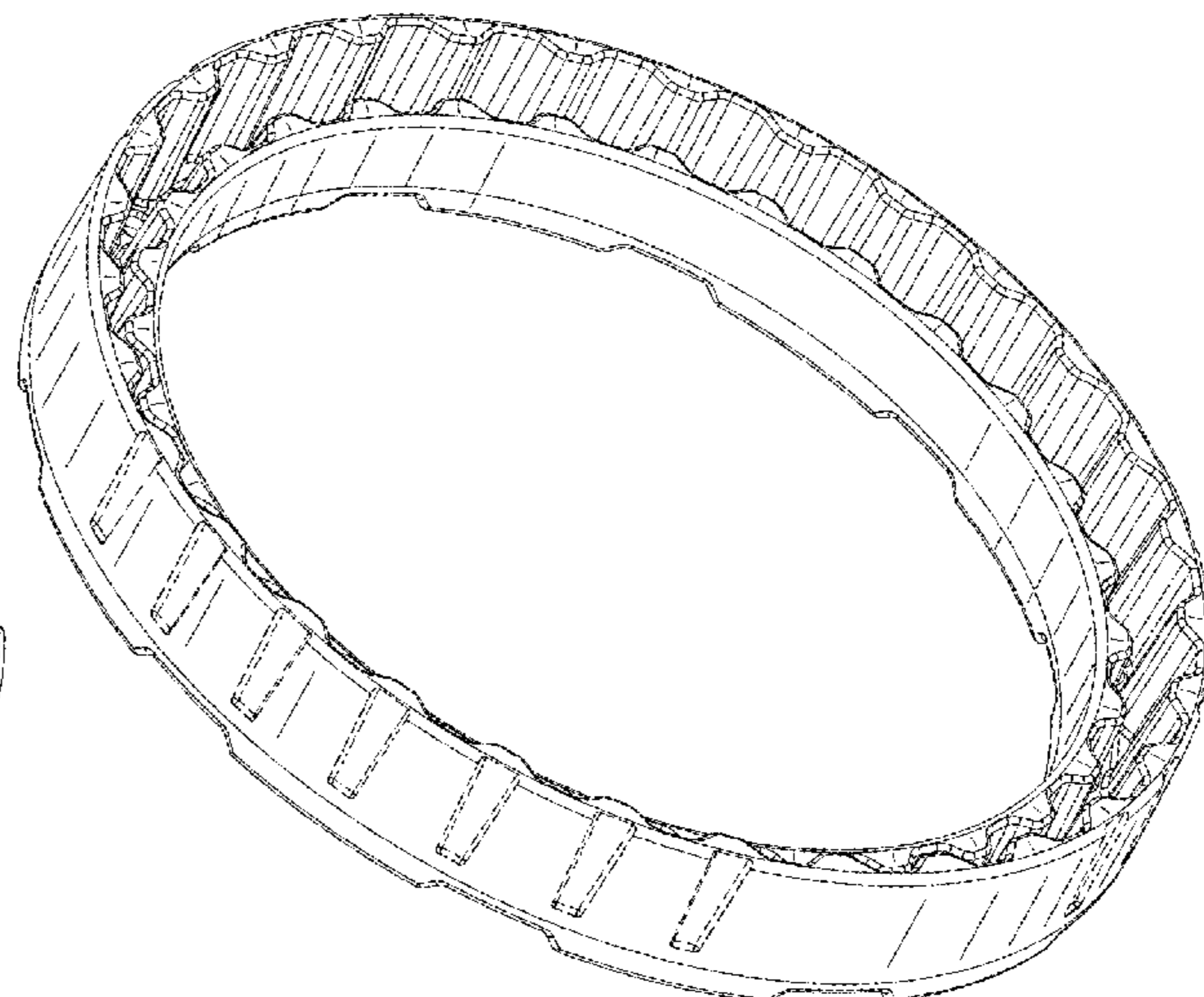
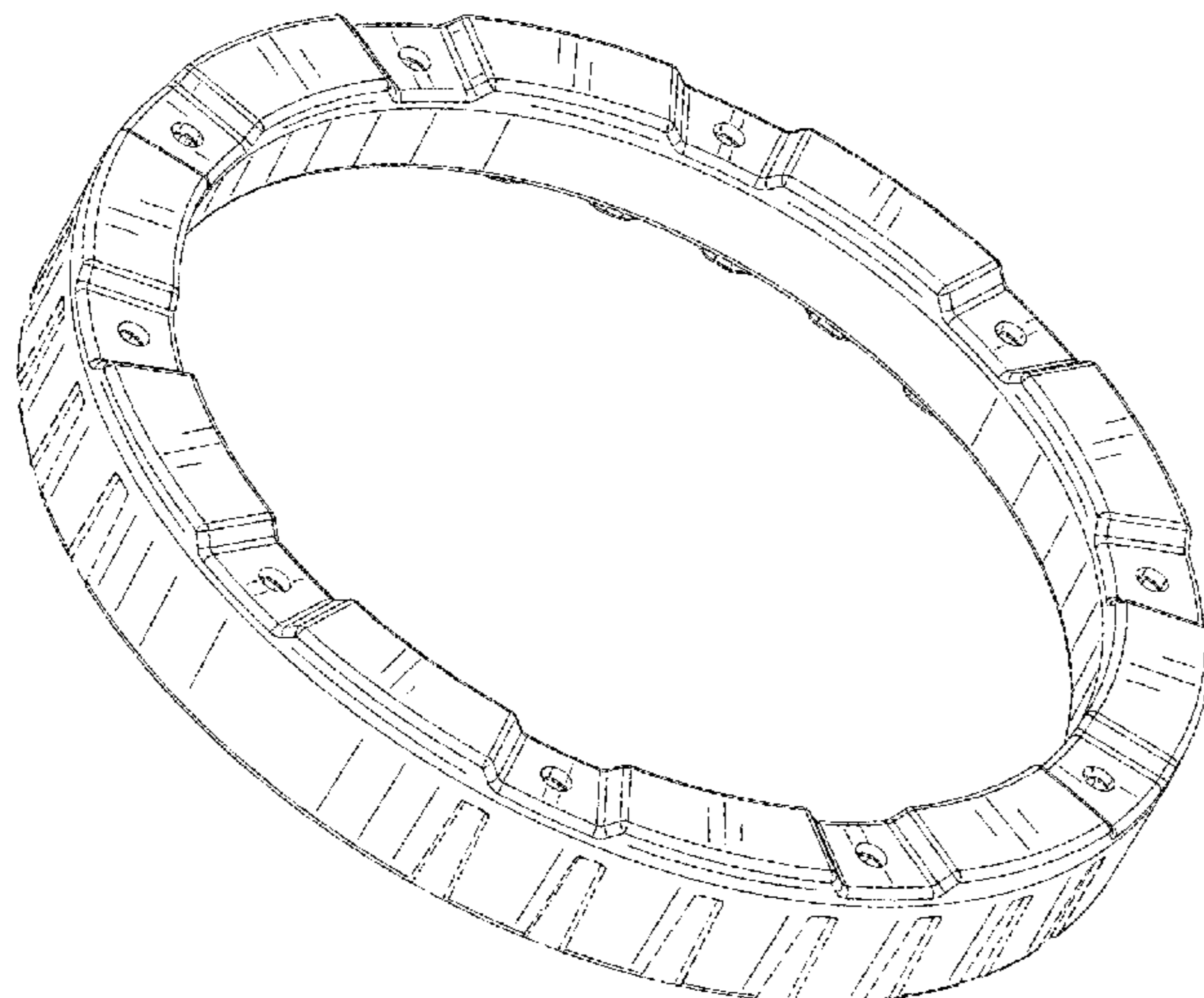
FIG. 6 of the drawings is a second side elevational view thereof;

FIG. 7 of the drawings is a front elevational view thereof; and,

FIG. 8 of the drawings is a back elevational view thereof.

The dashed lines show features that form no part of the claimed design.

1 Claim, 6 Drawing Sheets



(56)

References Cited

OTHER PUBLICATIONS

The Ringer—Propane Tank Holder, Video Frames 0:16-0.27/1:04; YouTube Publish date Nov. 26, 2019; Visited Online Jan. 27, 2021; https://www.youtube.com/watch?v=yraYQIzuU14&feature=emb_logo (Year: 2019).*

Greenlight Products The Ringer, Propane Tank Holder, Tank Support; Amazon Earliest Review Date Dec. 22, 2019; Visited Online Jan. 27, 2021; <https://www.amazon.com/GreenLight-Products-The-Ringer/dp/B08161MHT3> (Year: 2019).*

* cited by examiner

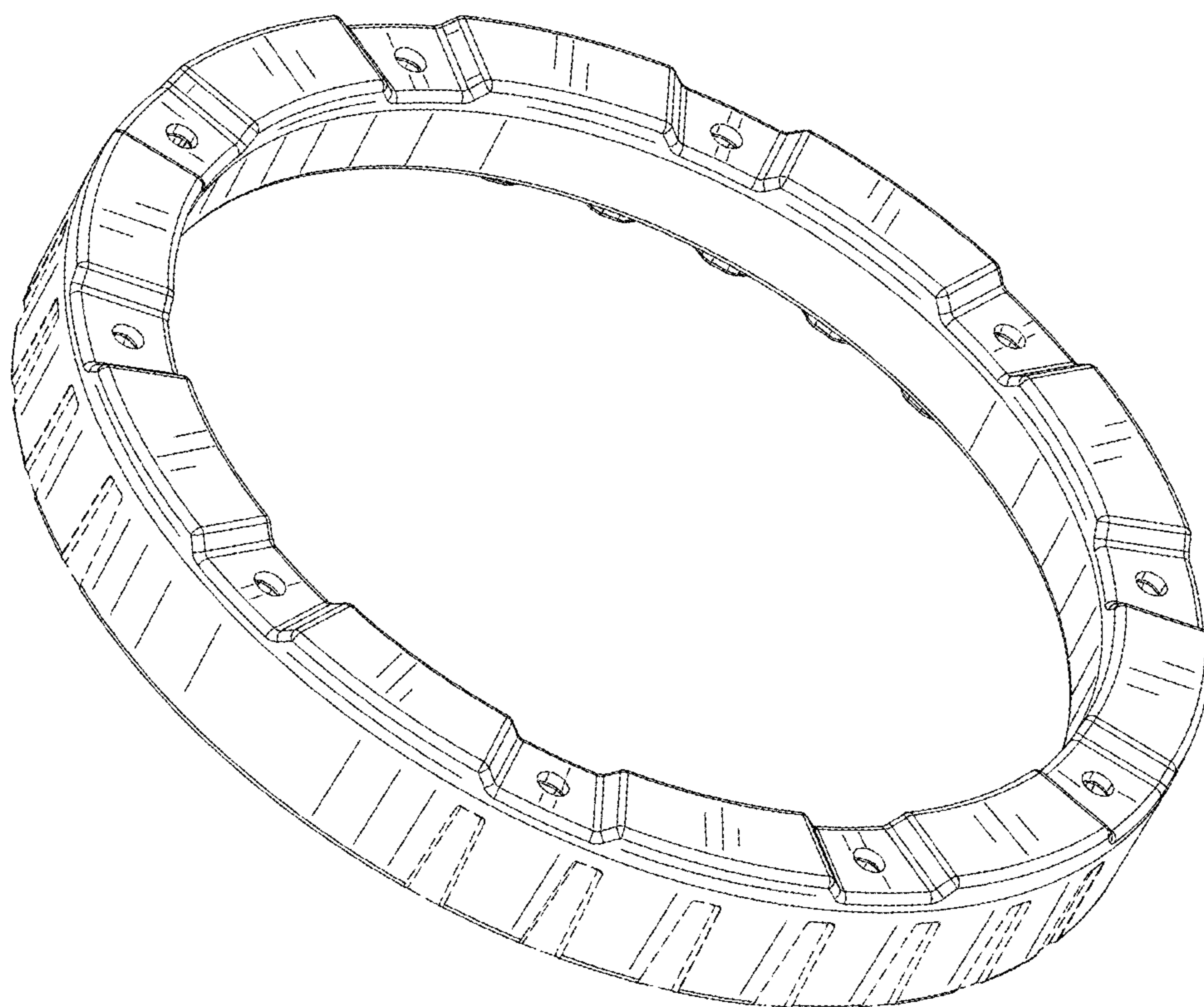


FIG. 1

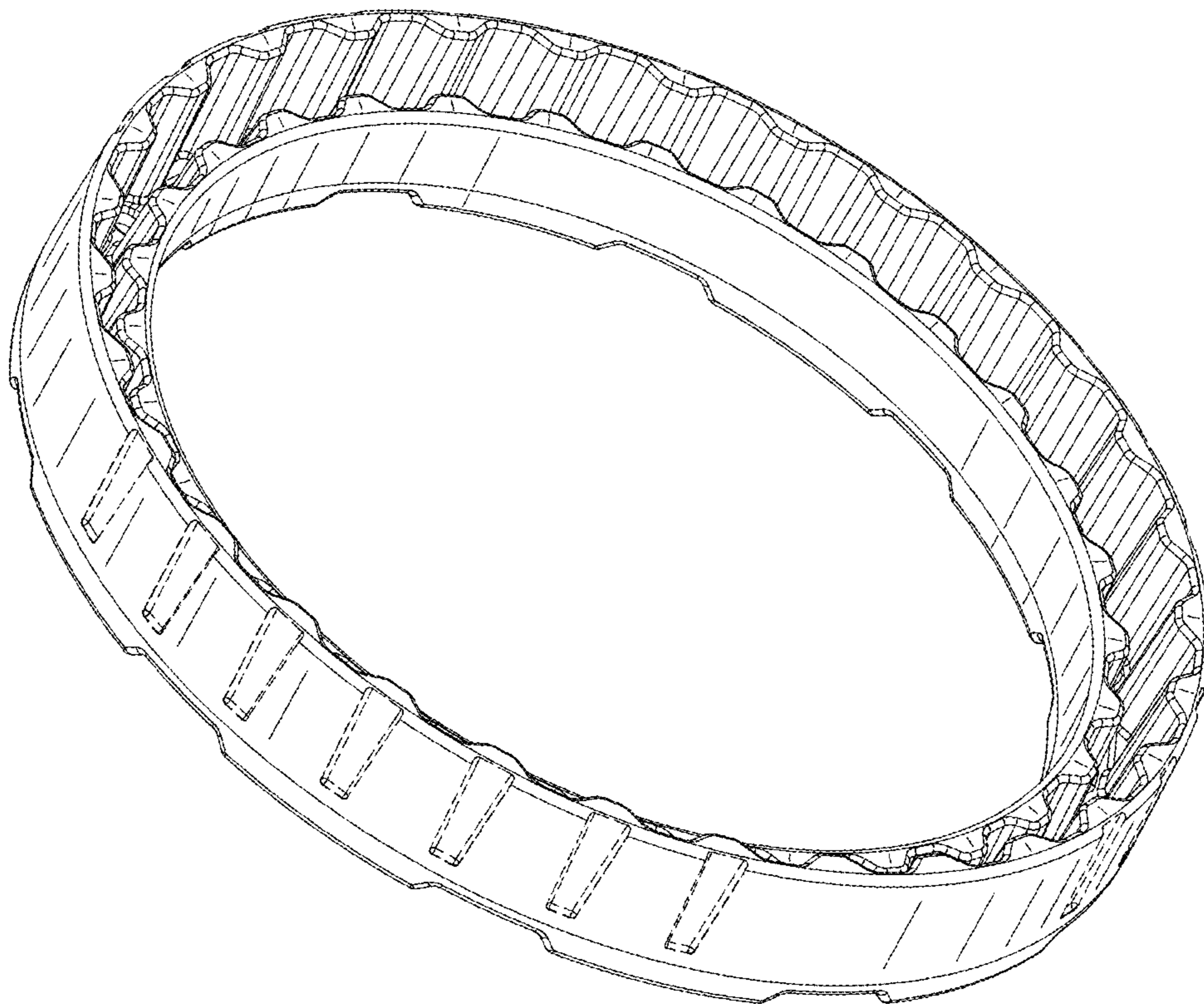


FIG. 2

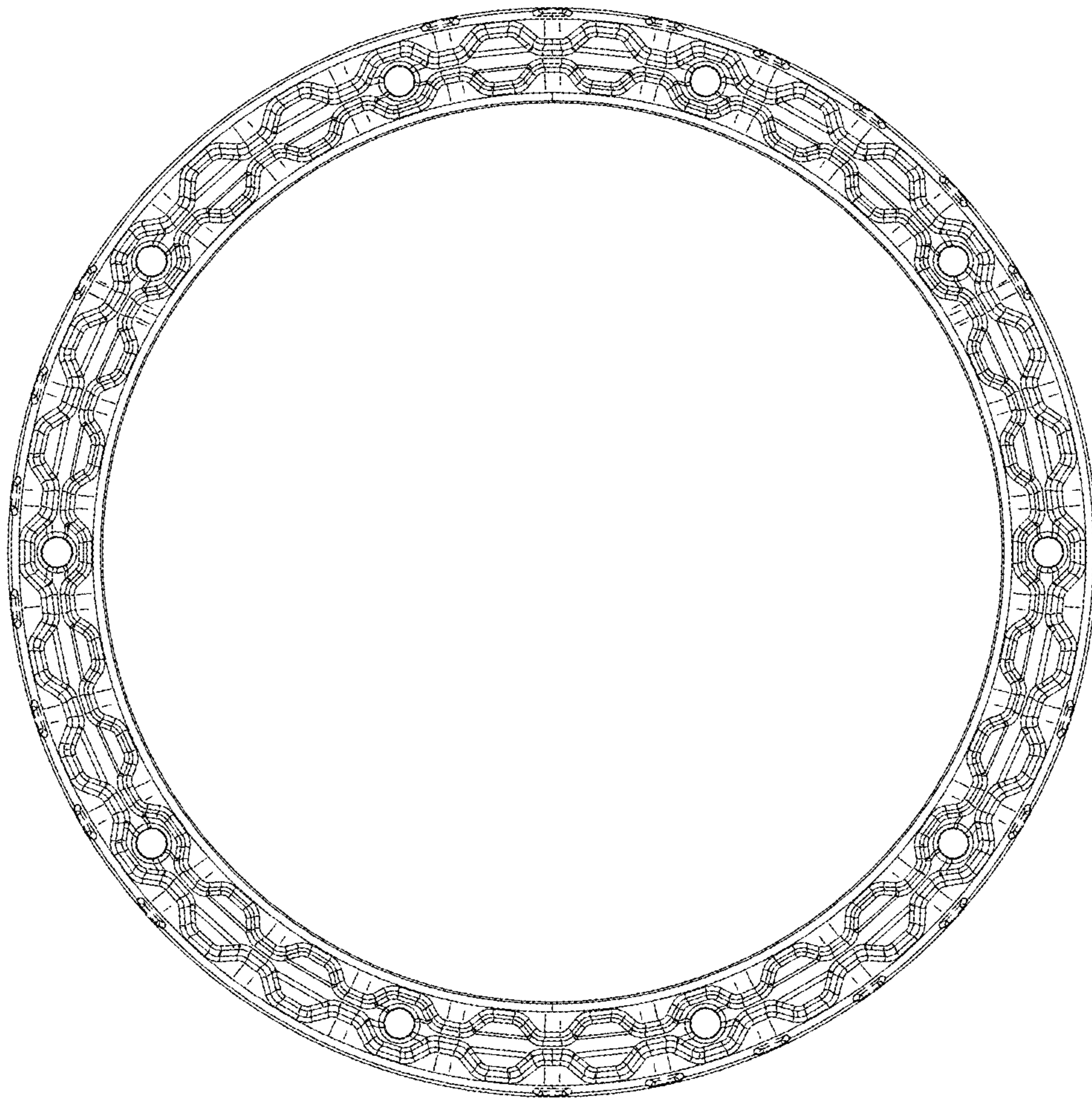


FIG. 3

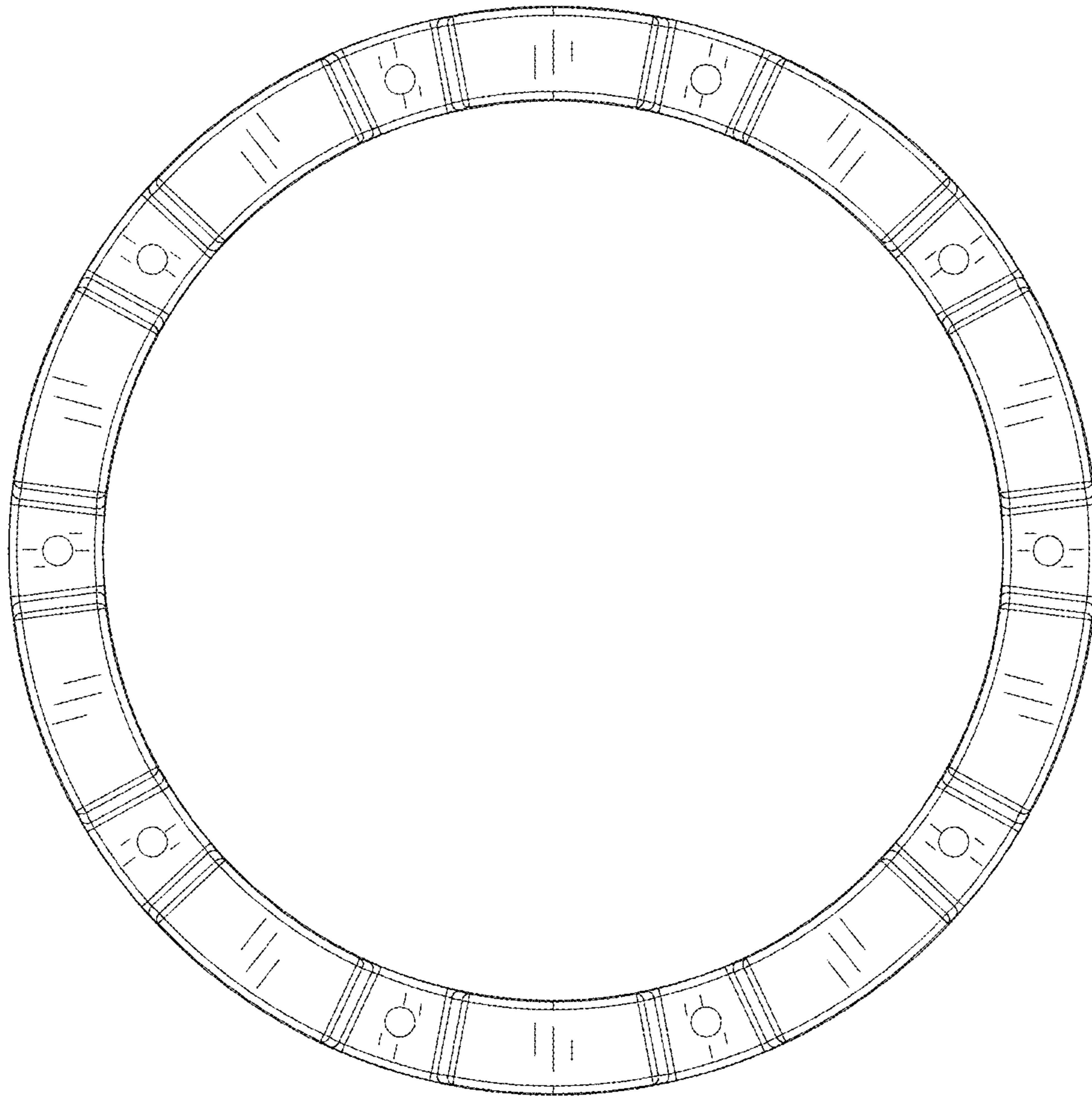


FIG. 4

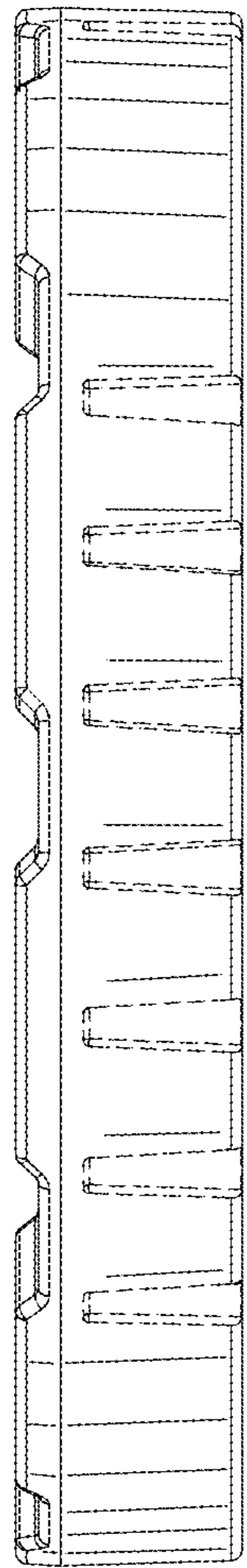


FIG. 5

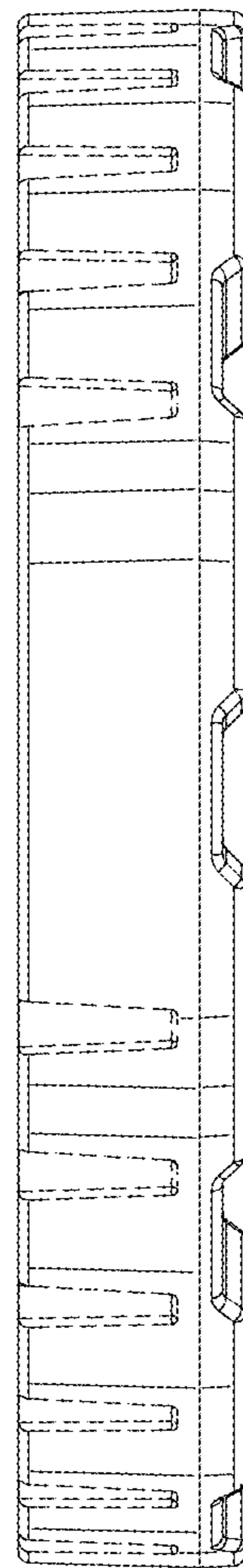


FIG. 6

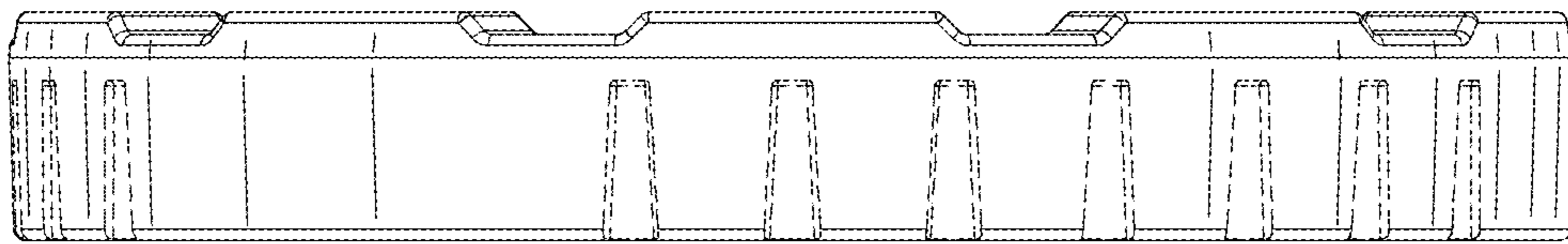


FIG. 7

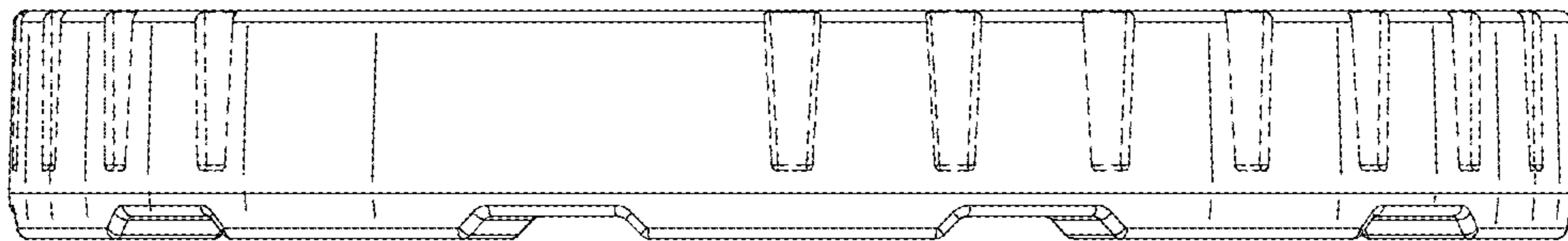


FIG. 8