



US00D921161S

(12) **United States Design Patent**
Laible

(10) **Patent No.:** **US D921,161 S**
(45) **Date of Patent:** **** Jun. 1, 2021**

(54) **OVERMOLDED VALVE FOR A CONTAINER**

(71) Applicant: **Rodney Laible**, Omaha, NE (US)

(72) Inventor: **Rodney Laible**, Omaha, NE (US)

(**) Term: **15 Years**

(21) Appl. No.: **29/741,205**

(22) Filed: **Jul. 10, 2020**

(51) **LOC (13) Cl.** **23-01**

(52) **U.S. Cl.**
USPC **D23/249**

(58) **Field of Classification Search**
USPC D23/207–209, 233–237, 249, 259.2,
D23/262–266, 268, 269; D9/417, 424,
D9/428, 434, 435, 439, 440, 444, 445,
D9/447, 448, 454, 500, 502–504, 516,
D9/519, 529, 549, 558, 715; D24/129;
D8/387, 399; D13/133, 154; D32/32,
D32/33; D3/203.3
CPC ... F16K 11/07; F16K 31/002; B65D 47/2018;
B65D 47/2031; B65D 47/32; F16L 11/00;
F16L 25/01; F16L 17/10; F16L 59/14;
A61J 1/14; A61J 1/22; A61J 1/1468
See application file for complete search history.

(56) **References Cited**

U.S. PATENT DOCUMENTS

D120,464 S *	5/1940	Martin	D9/434
D198,107 S *	4/1964	McCulloch	D9/439
3,766,935 A *	10/1973	Clippard, III	F16K 27/041
				137/269
D397,938 S *	9/1998	Graham	D9/454
D412,551 S *	8/1999	Smith	D23/209
D414,694 S *	10/1999	Richter	D9/439
D424,167 S *	5/2000	Yuen	D23/233
D461,545 S *	8/2002	Nishio	D23/259
D474,110 S *	5/2003	Sweeney	D9/425

D502,925 S *	3/2005	Chung	D13/154
D604,806 S *	11/2009	Blum	D23/233
D682,690 S *	5/2013	Bowes	D9/439
D700,682 S *	3/2014	Bayyouk	D23/233
D713,247 S *	9/2014	Webster	D9/454
D730,185 S *	5/2015	Blanco	D9/439
D754,542 S *	4/2016	Shaw	D9/454
D804,311 S *	12/2017	Ruprecht	D9/434
D819,443 S *	6/2018	Martinez Carregui	D9/440
D823,115 S *	7/2018	Walker	D9/447
10,301,088 B1 *	5/2019	Laible	B67D 7/32
D871,832 S *	1/2020	Marina	D7/392.1
D893,244 S *	8/2020	Marina	D7/392.1
D896,351 S *	9/2020	Banks, III	D23/262
2003/0150887 A1 *	8/2003	Laible	B67D 7/0294
				222/529
2010/0193516 A1 *	8/2010	LaBean	B65D 47/2031
				220/229
2016/0023884 A1 *	1/2016	Sokol	B65D 47/08
				222/545
2016/0311585 A1 *	10/2016	Rideg	B29C 45/0003

(Continued)

Primary Examiner — Catherine S Posthauer
(74) *Attorney, Agent, or Firm* — Dennis L. Thomte;
Thomte Patent Law Office LLC

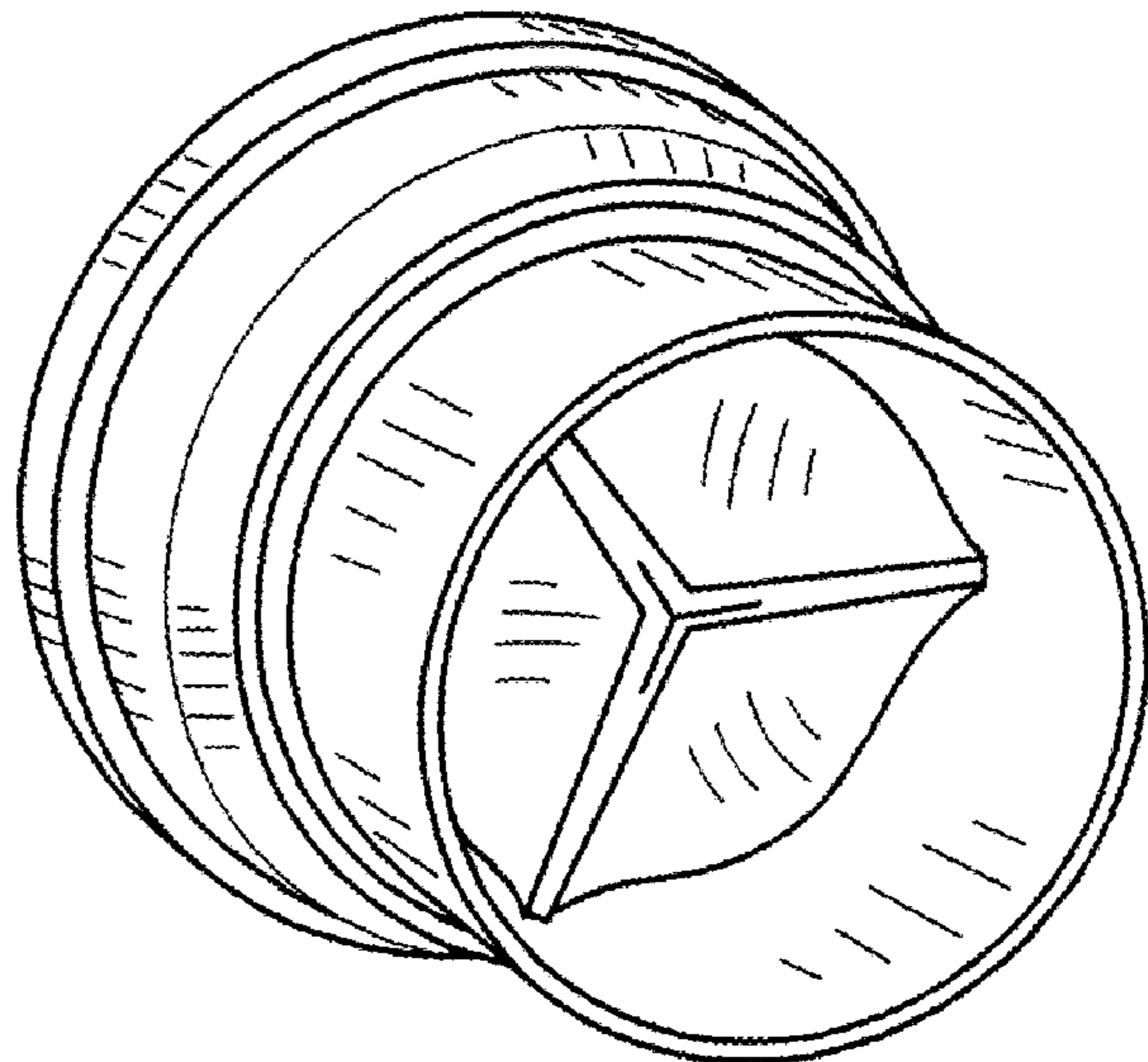
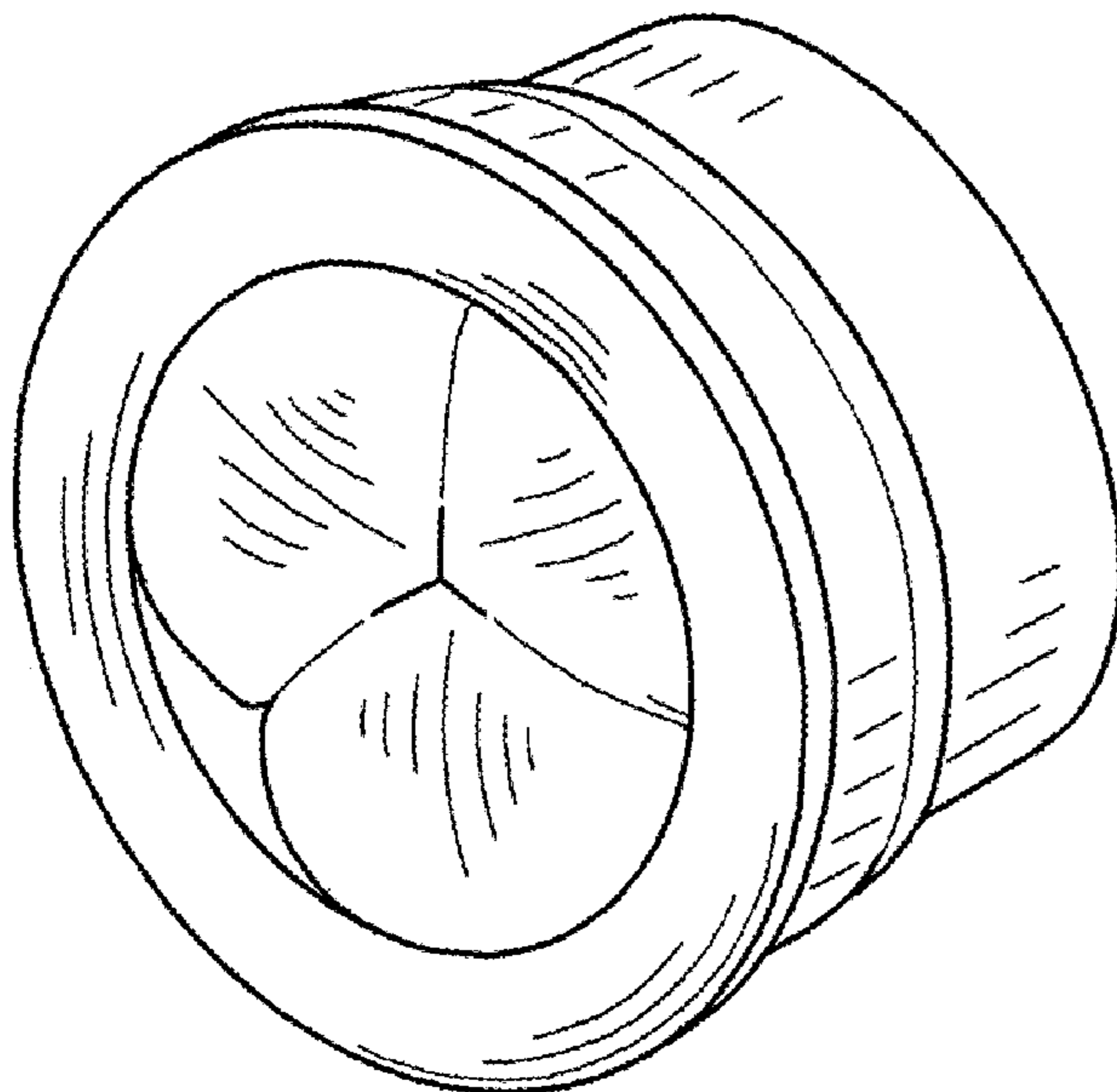
(57) **CLAIM**

The ornamental design for an overmolded valve for a container, as shown and described.

DESCRIPTION

FIG. 1 is an upper perspective view of an overmolded valve for a container, showing my new design;
FIG. 2 is a lower perspective view thereof;
FIG. 3 is a top view thereof;
FIG. 4 is a first side view thereof;
FIG. 5 is a second side view thereof;
FIG. 6 is a third side view thereof;
FIG. 7 is a fourth side view thereof; and,
FIG. 8 is a bottom view thereof.

1 Claim, 4 Drawing Sheets



(56)

References Cited

U.S. PATENT DOCUMENTS

2016/0338912 A1* 11/2016 Oberlin B65D 47/2031
2018/0201416 A1* 7/2018 Cox B65D 47/2031

* cited by examiner

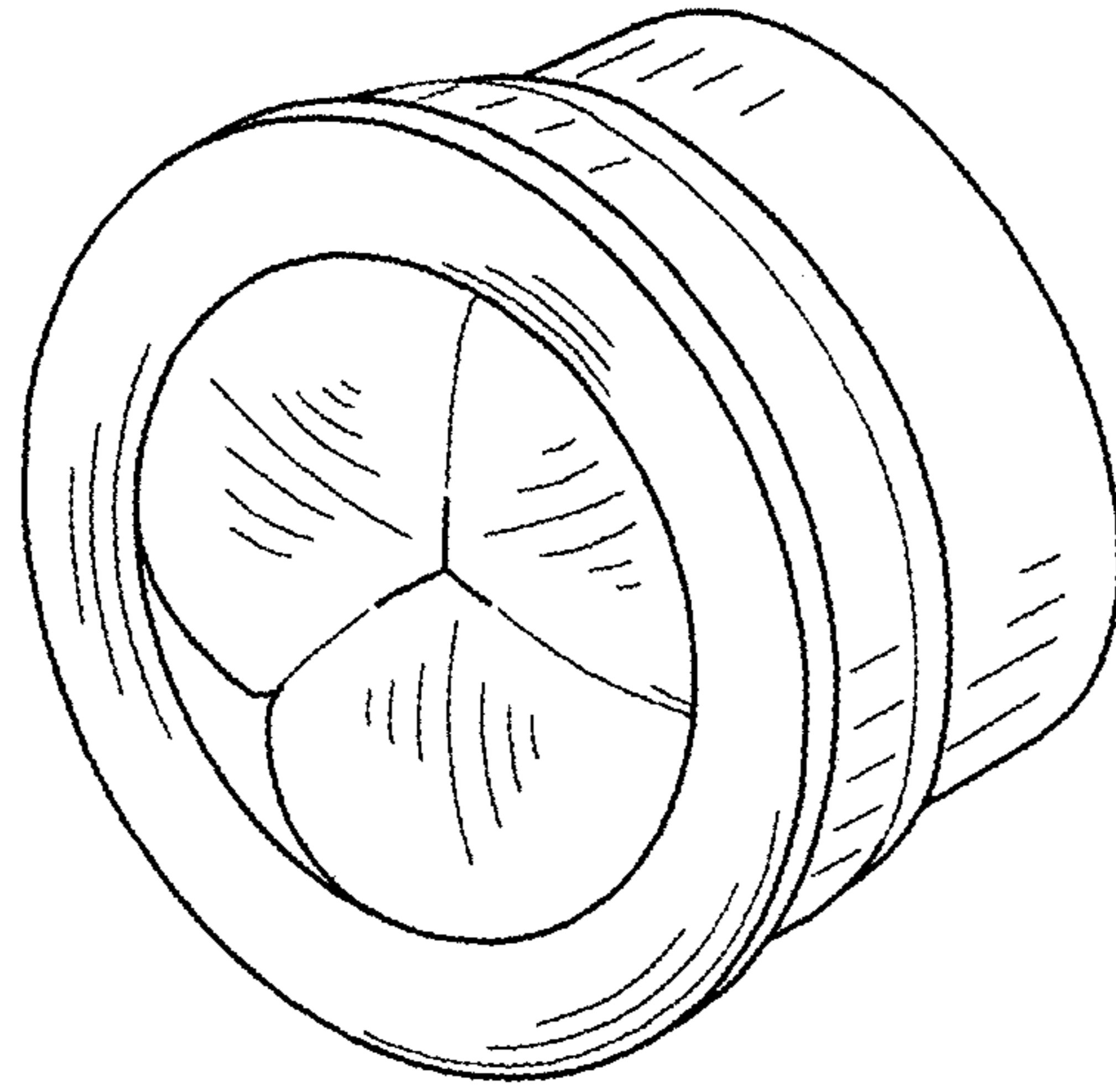


FIG. 1

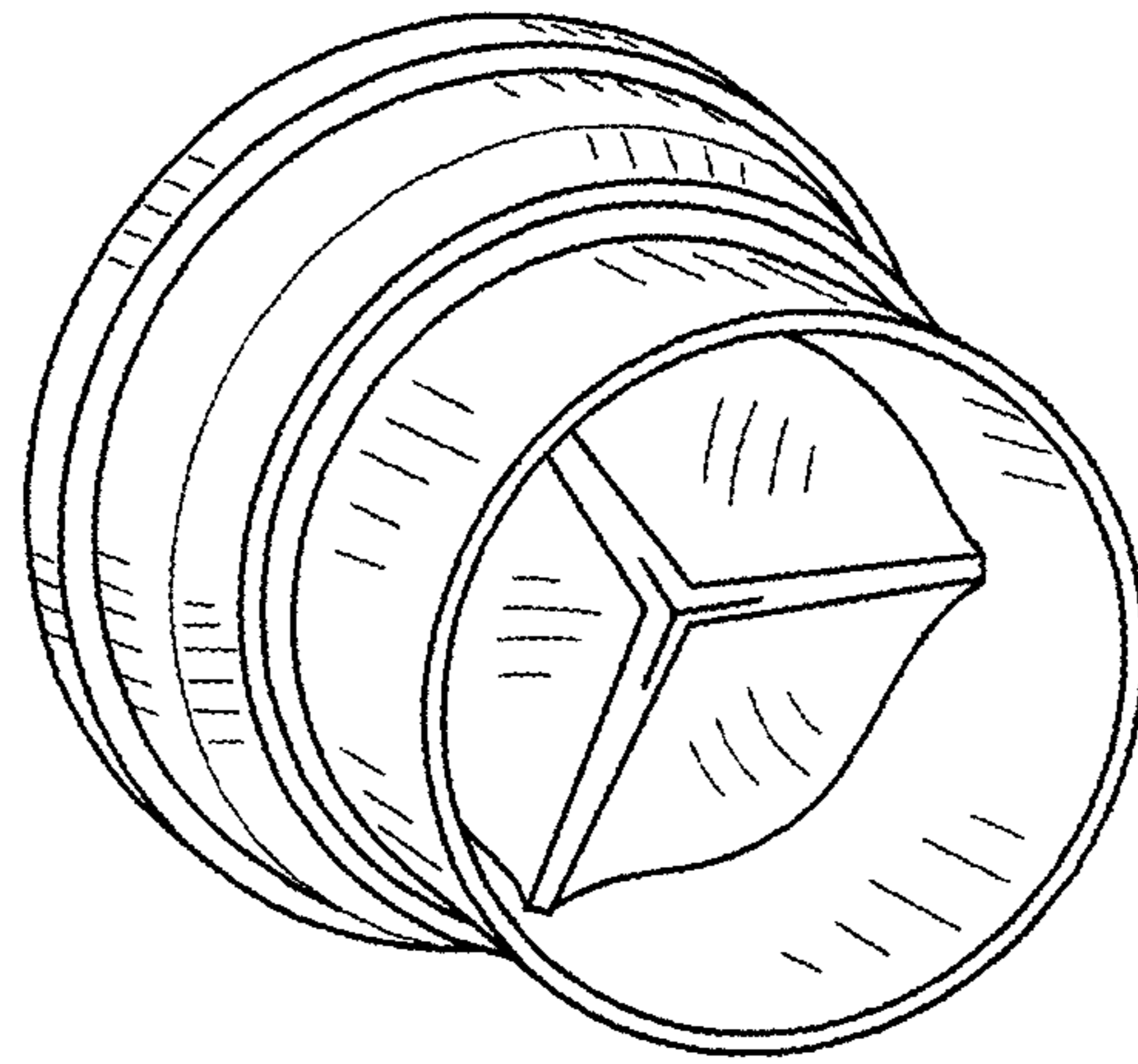


FIG. 2

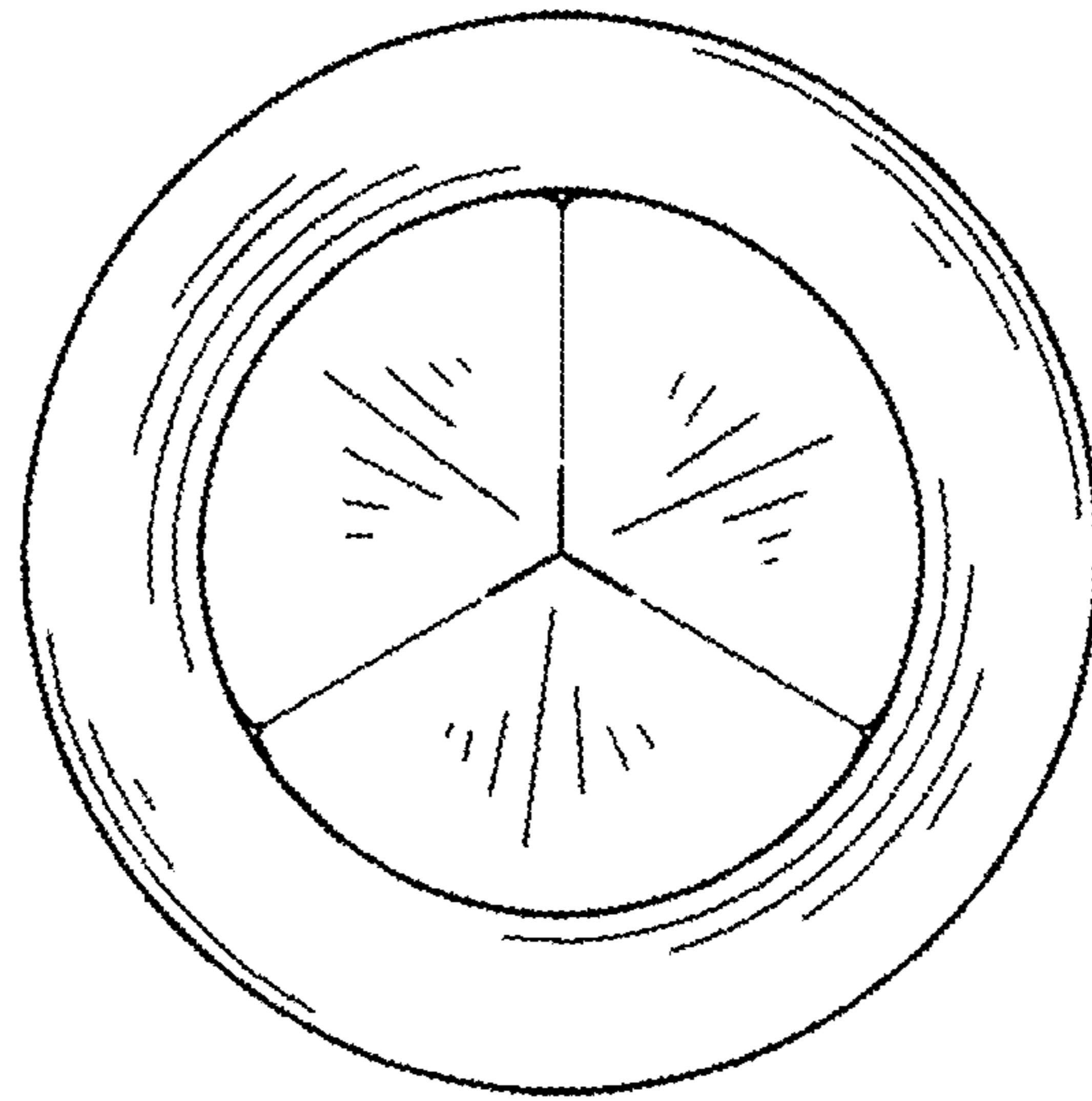


FIG. 3

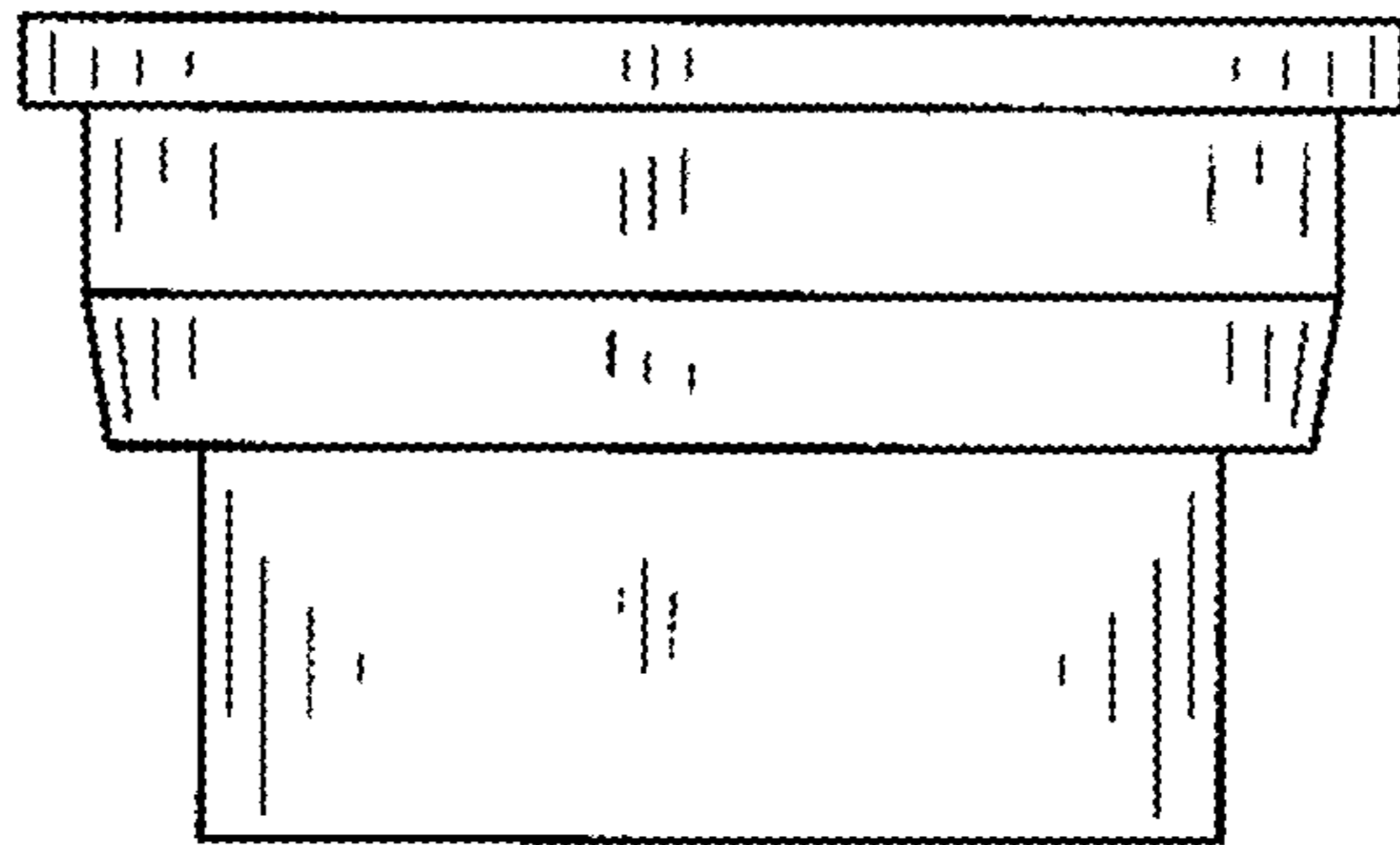


FIG. 4

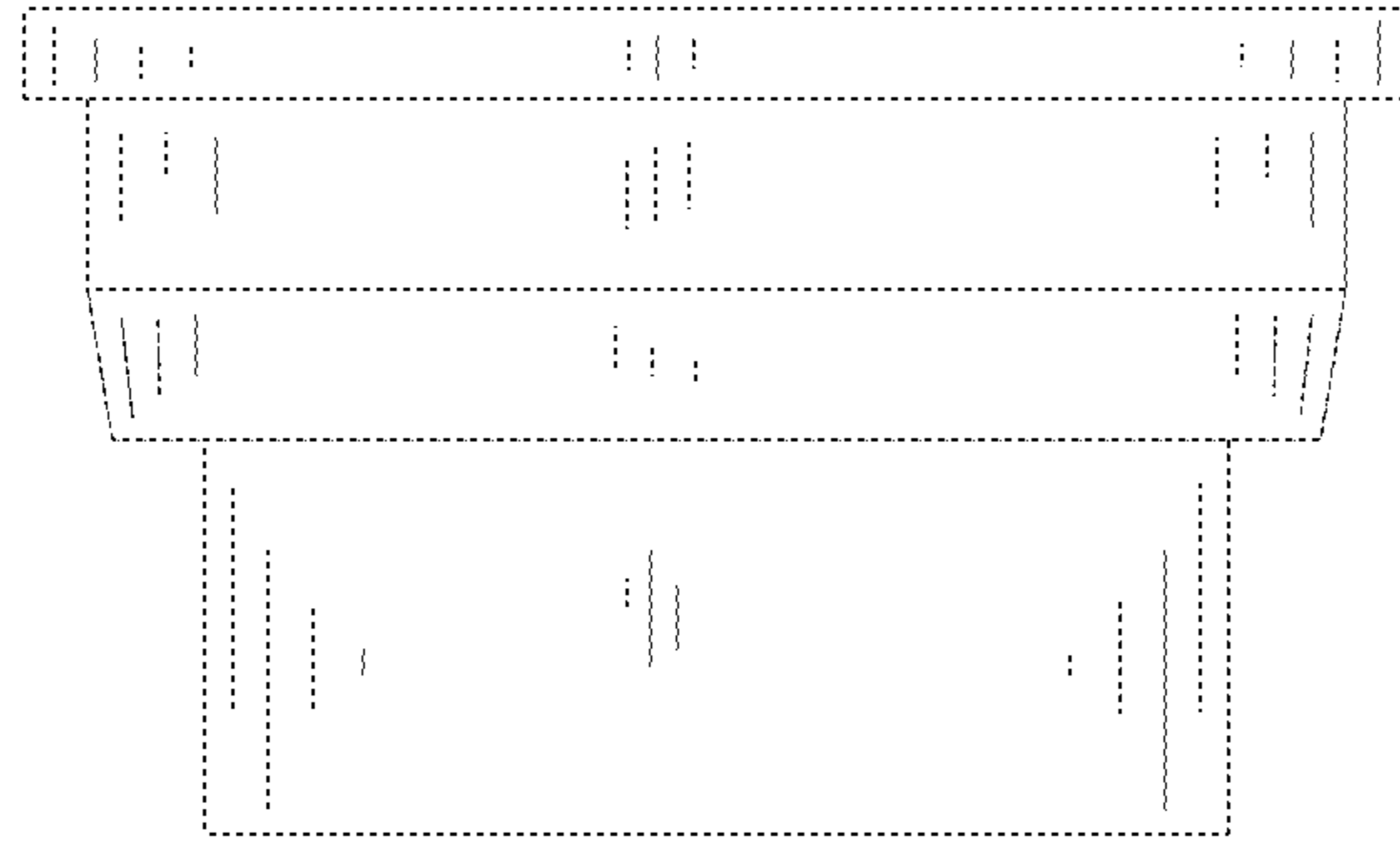


FIG. 5

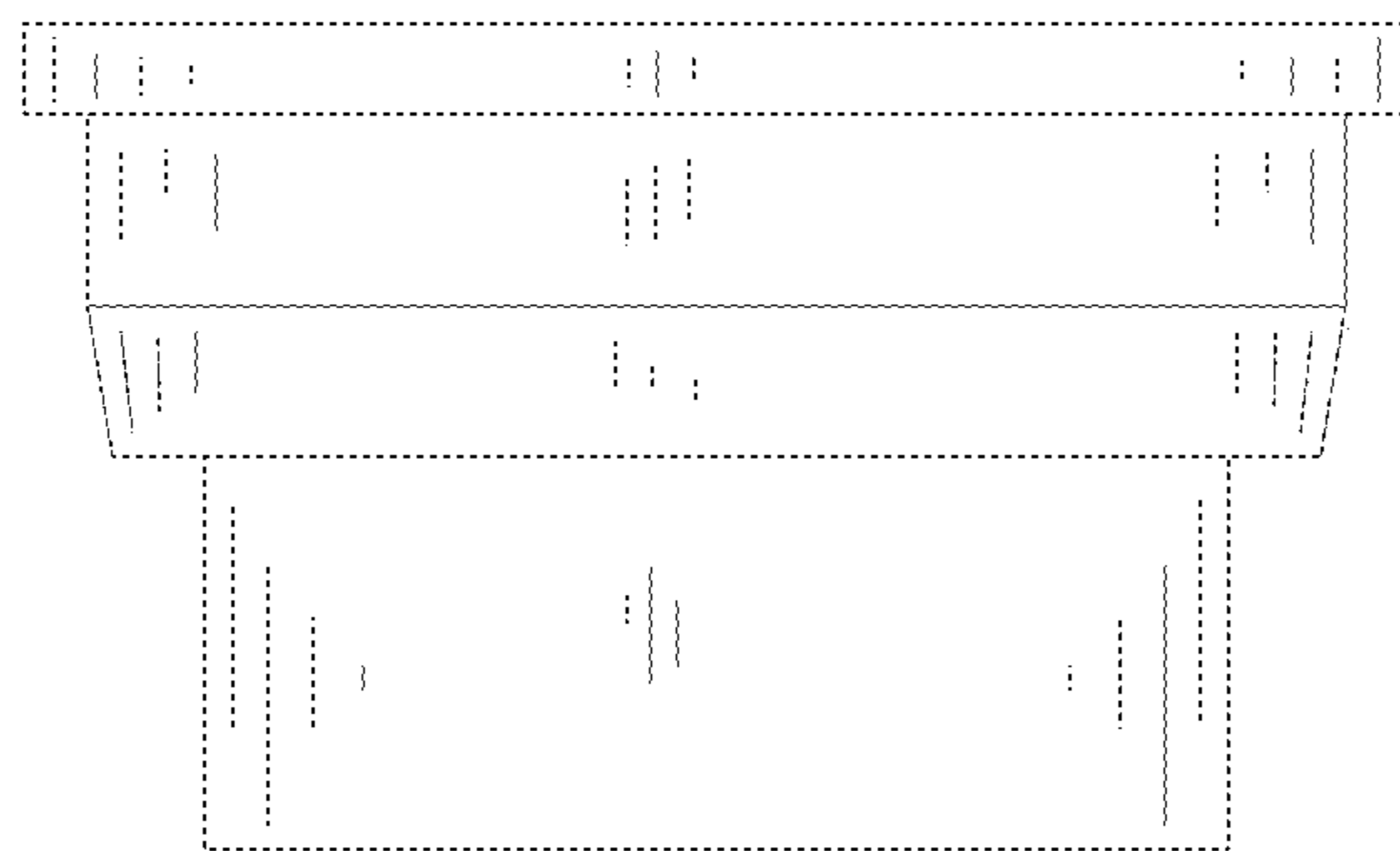


FIG. 6

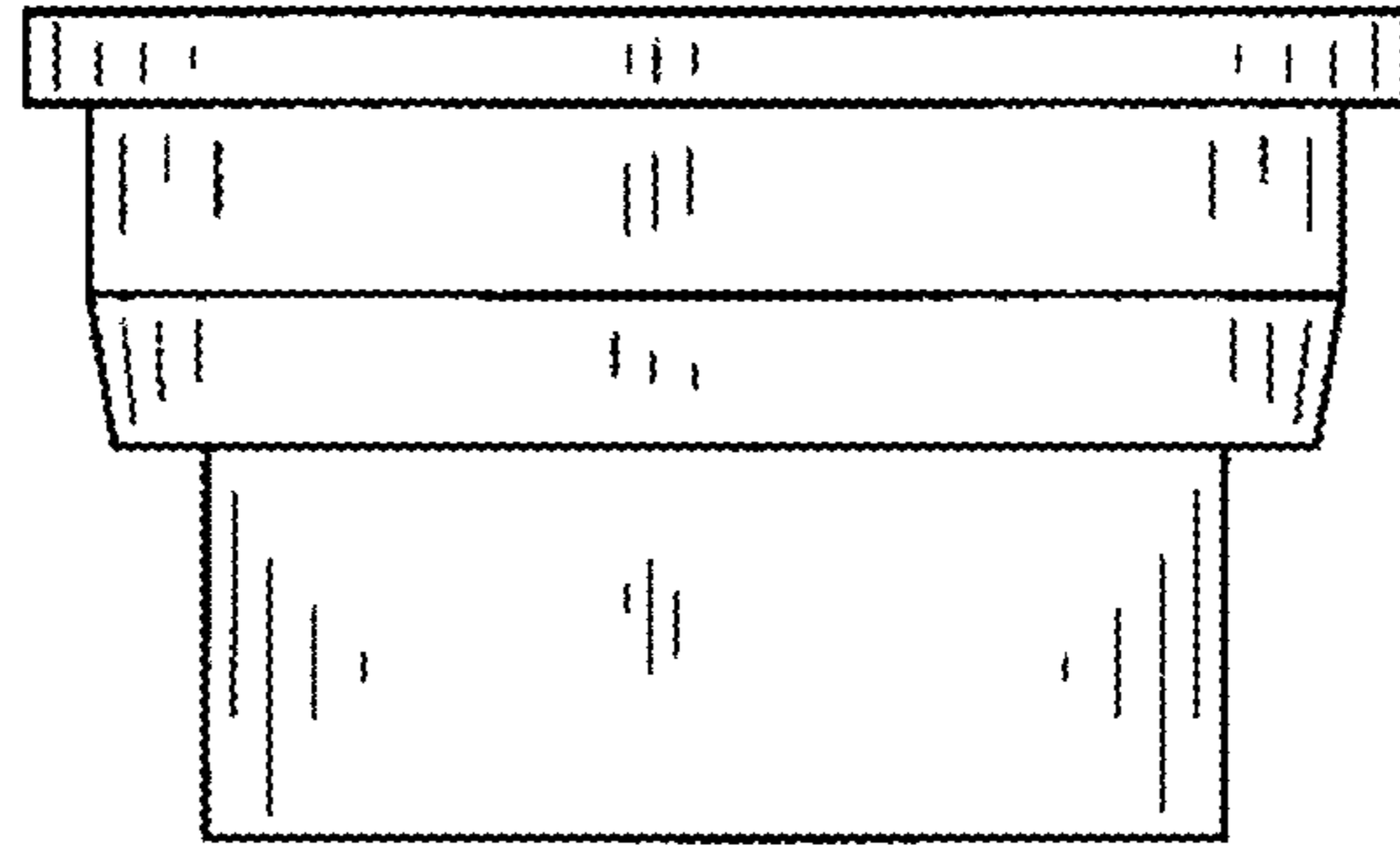


FIG. 7

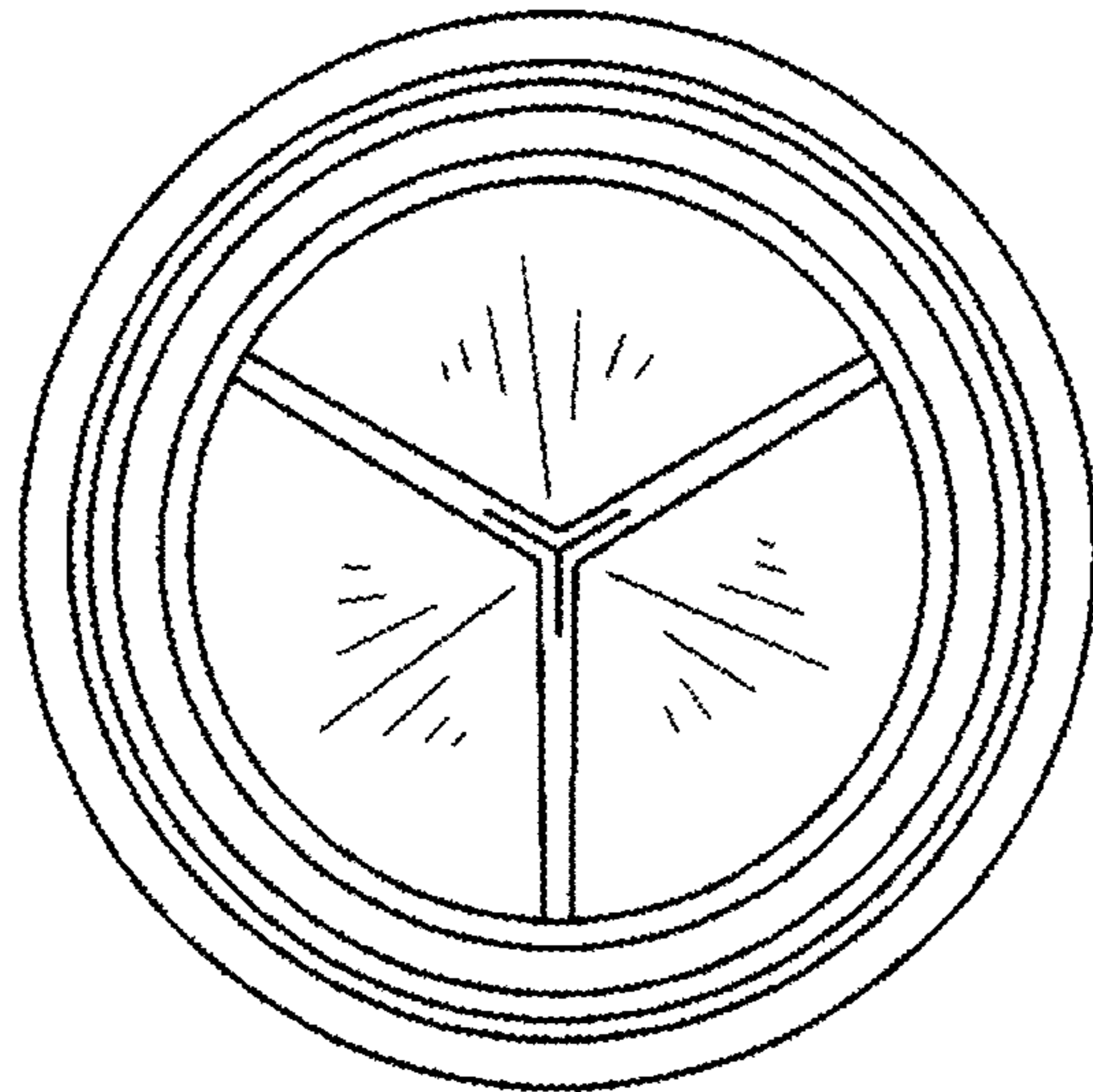


FIG. 8