



US00D921159S

(12) **United States Design Patent**  
**Yang**

(10) **Patent No.:** **US D921,159 S**  
(45) **Date of Patent:** **\*\* Jun. 1, 2021**

(54) **FAUCET**

(71) Applicant: **Xiao Yang**, Shenzhen (CN)

(72) Inventor: **Xiao Yang**, Shenzhen (CN)

(\*\*) Term: **15 Years**

(21) Appl. No.: **29/705,096**

(22) Filed: **Sep. 10, 2019**

(51) **LOC (13) Cl.** ..... **23-01**

(52) **U.S. Cl.**  
USPC ..... **D23/238**

(58) **Field of Classification Search**  
USPC ..... D23/223, 238, 239, 240, 241, 242, 243,  
D23/249, 250, 255, 256, 257; D6/524  
CPC ..... E03C 1/04; E03C 1/0401; E03C 1/0402;  
E03C 1/0404; E03C 1/0405; E03C  
1/0412; Y10T 137/9464  
See application file for complete search history.

(56) **References Cited**

U.S. PATENT DOCUMENTS

D479,579 S *	9/2003	Haug	.....	D23/238
D528,189 S *	9/2006	Kulig	.....	D23/238
D612,015 S *	3/2010	Lammel	.....	D23/238
D644,302 S *	8/2011	Flowers	.....	D23/238
D645,120 S *	9/2011	Lammel	.....	D23/238
D666,276 S *	8/2012	Fritz	.....	D23/238

D697,588 S *	1/2014	Schoenherr	.....	D23/238
D764,631 S *	8/2016	Schoenherr	.....	D23/238
D787,020 S *	5/2017	Ziemann	.....	D23/238
D811,527 S *	2/2018	Fritz	.....	D23/238
D860,396 S *	9/2019	Seum	.....	D23/238
D882,735 S *	4/2020	Seum	.....	D23/238
2018/0340318 A1 *	11/2018	Mu	.....	E03C 1/0404

\* cited by examiner

*Primary Examiner* — John A Voytek

(74) *Attorney, Agent, or Firm* — Rमित Ranjit Kanakia

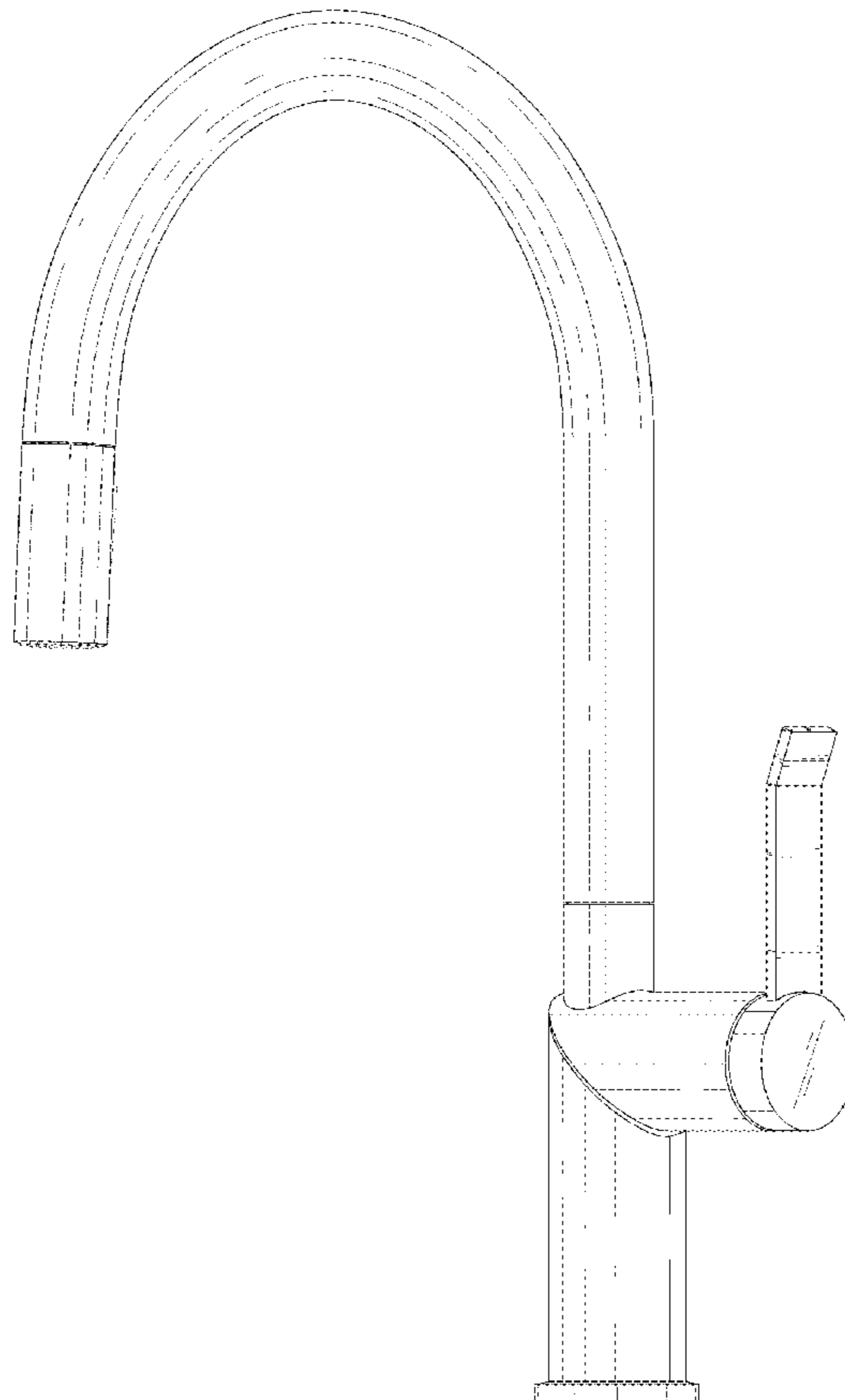
(57) **CLAIM**

I claim the ornamental design for a faucet, as shown and described.

**DESCRIPTION**

FIG. 1 is a Perspective view of a faucet showing my new design;  
FIG. 2 is other perspective view of the faucet as shown in FIG. 1;  
FIG. 3 is a Left-side view of the faucet as shown in FIG. 1;  
FIG. 4 is a Right-side view of the faucet as shown in FIG. 1;  
FIG. 5 is a Front view of the faucet as shown in FIG. 1;  
FIG. 6 is a Back view of the faucet as shown in FIG. 1;  
FIG. 7 is a Top view of the faucet as shown in FIG. 1; and,  
FIG. 8 is a Bottom view of the faucet as shown in FIG. 1.  
The broken lines shown in the drawings show portions of the faucet that form no part of the claimed design.

**1 Claim, 7 Drawing Sheets**



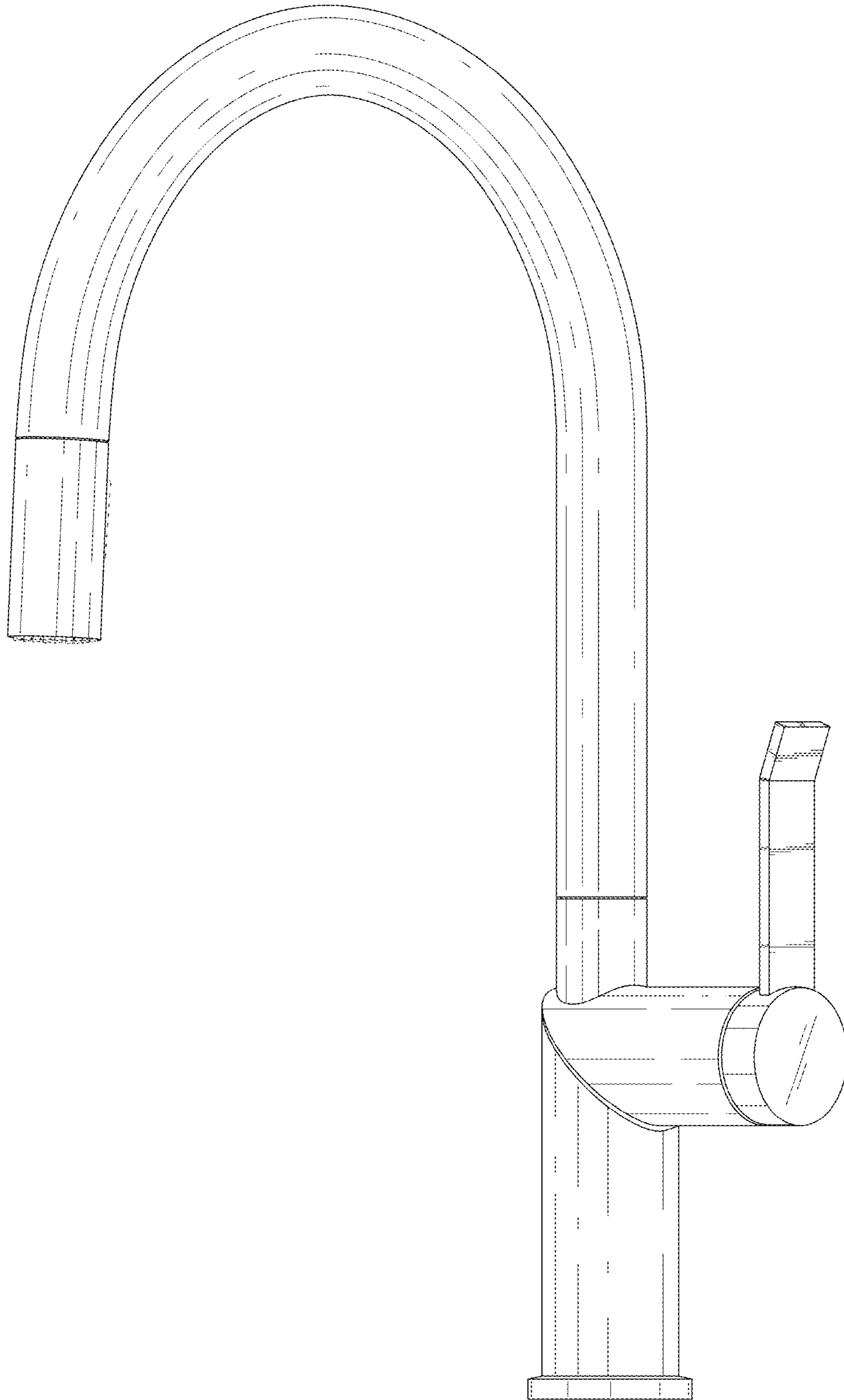


FIG. 1

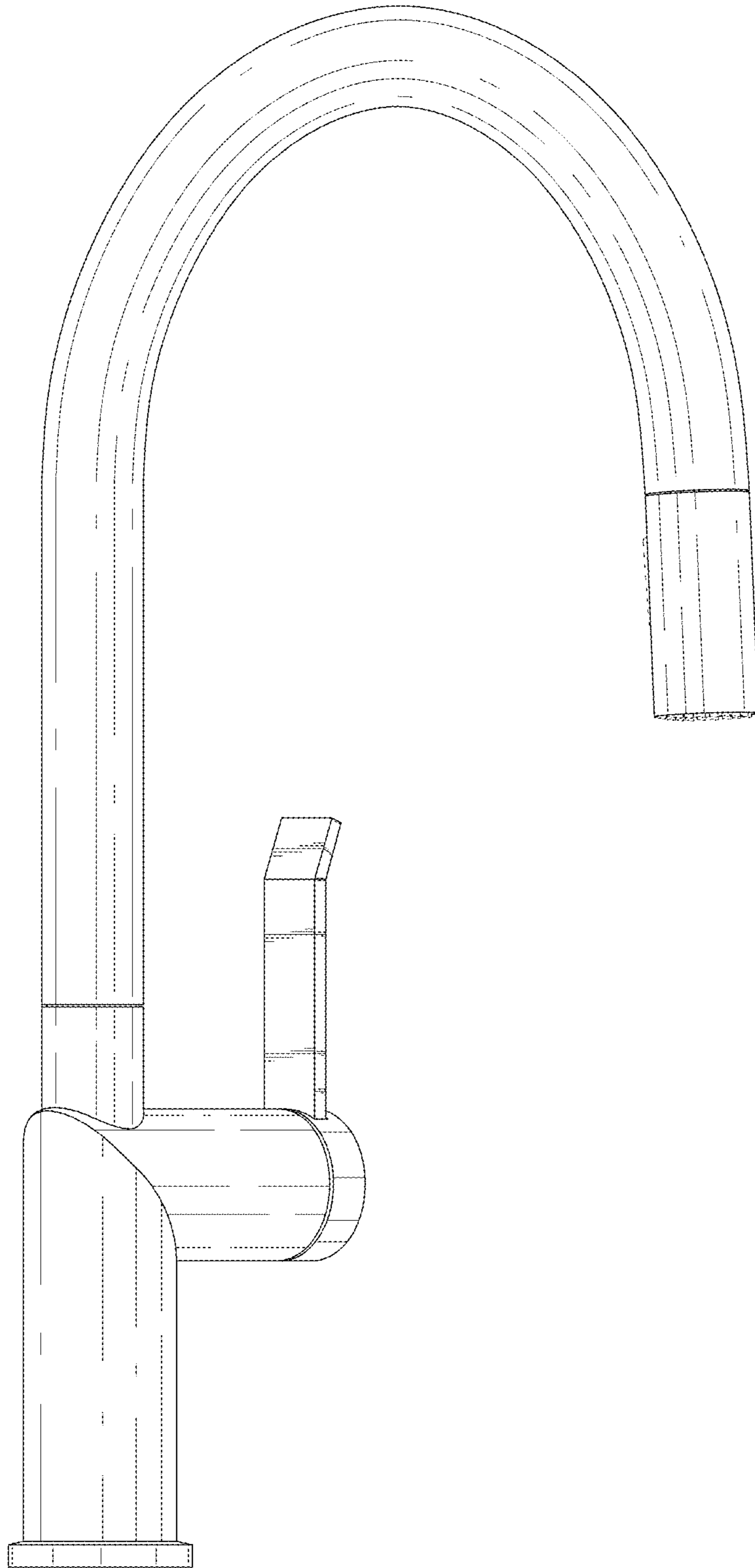


FIG. 2

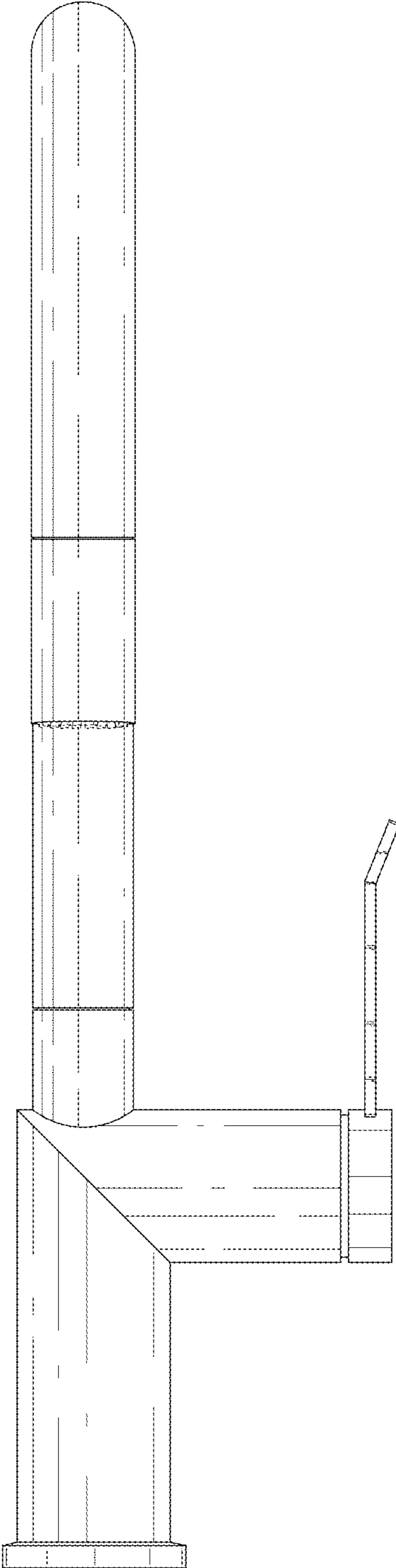


FIG. 3

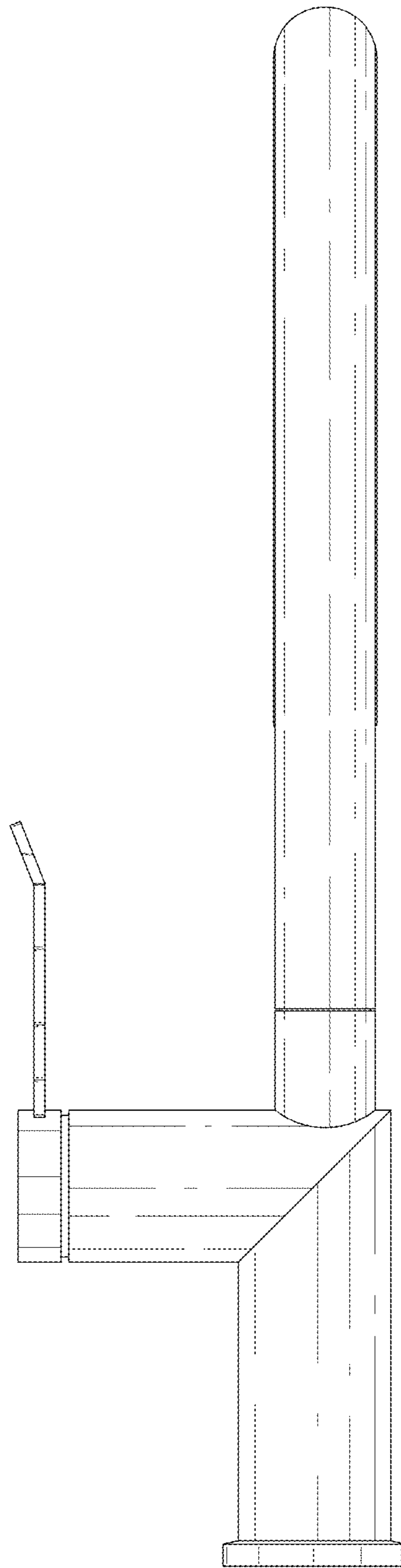


FIG. 4

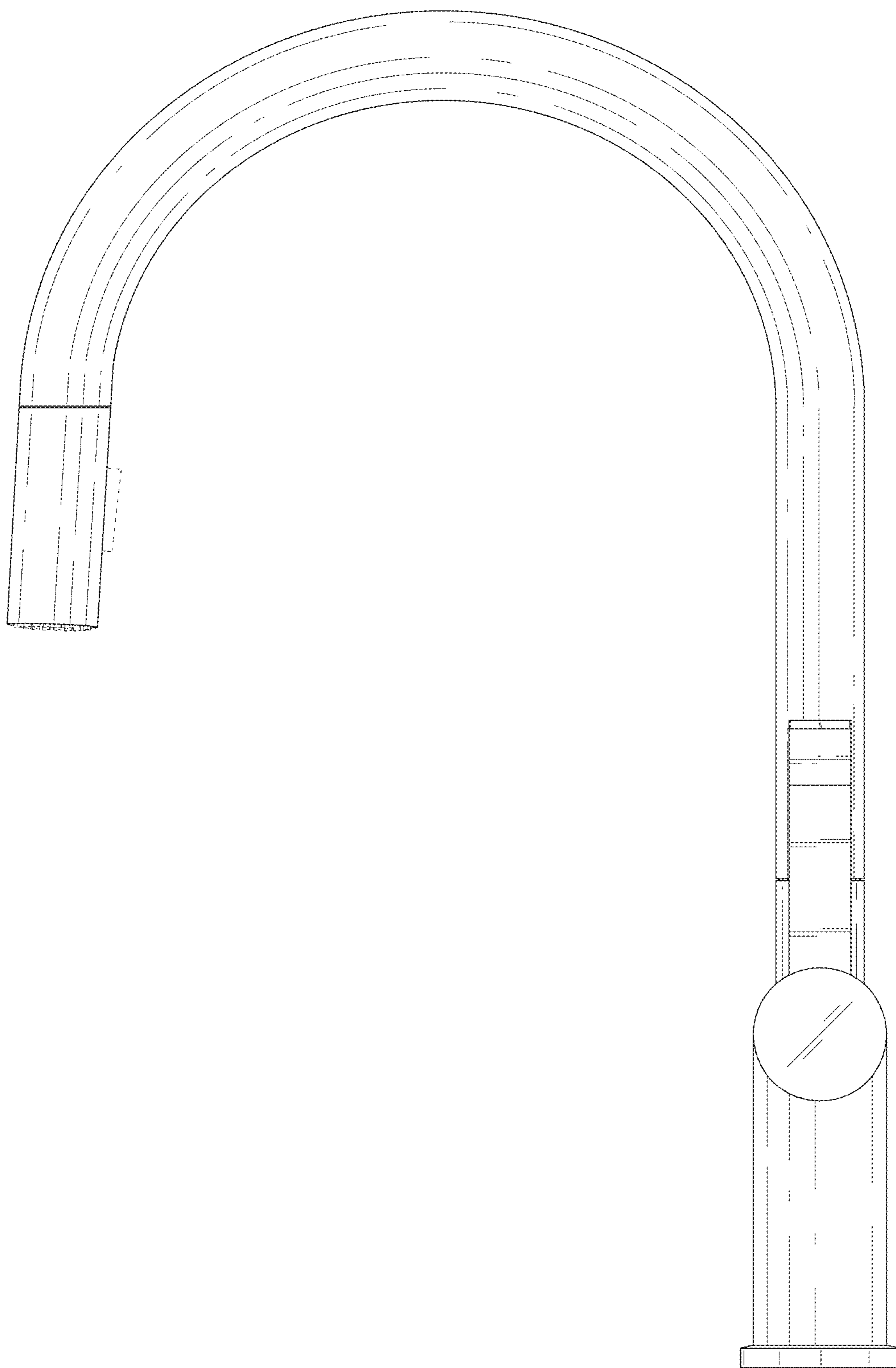


FIG. 5

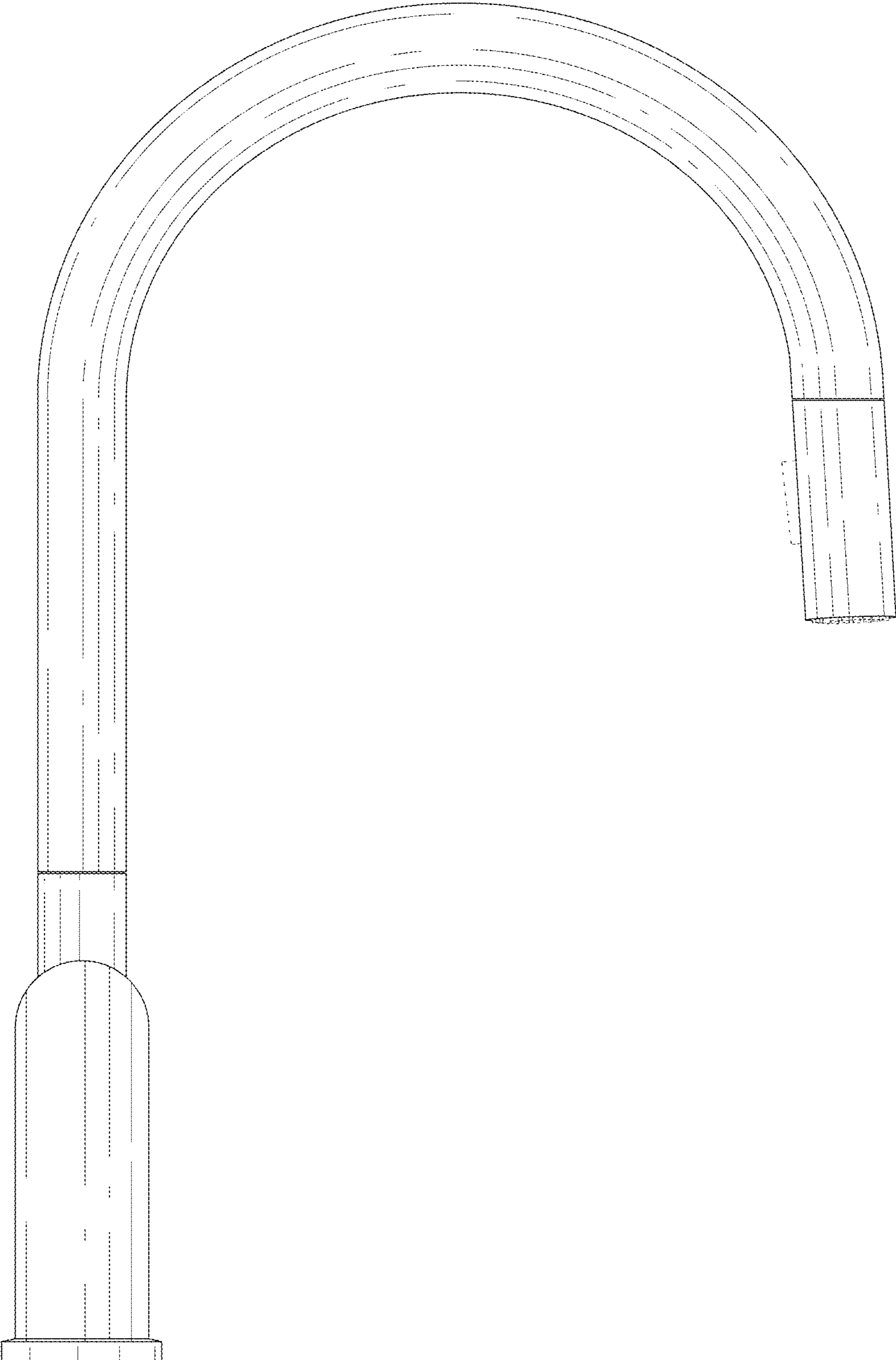


FIG. 6

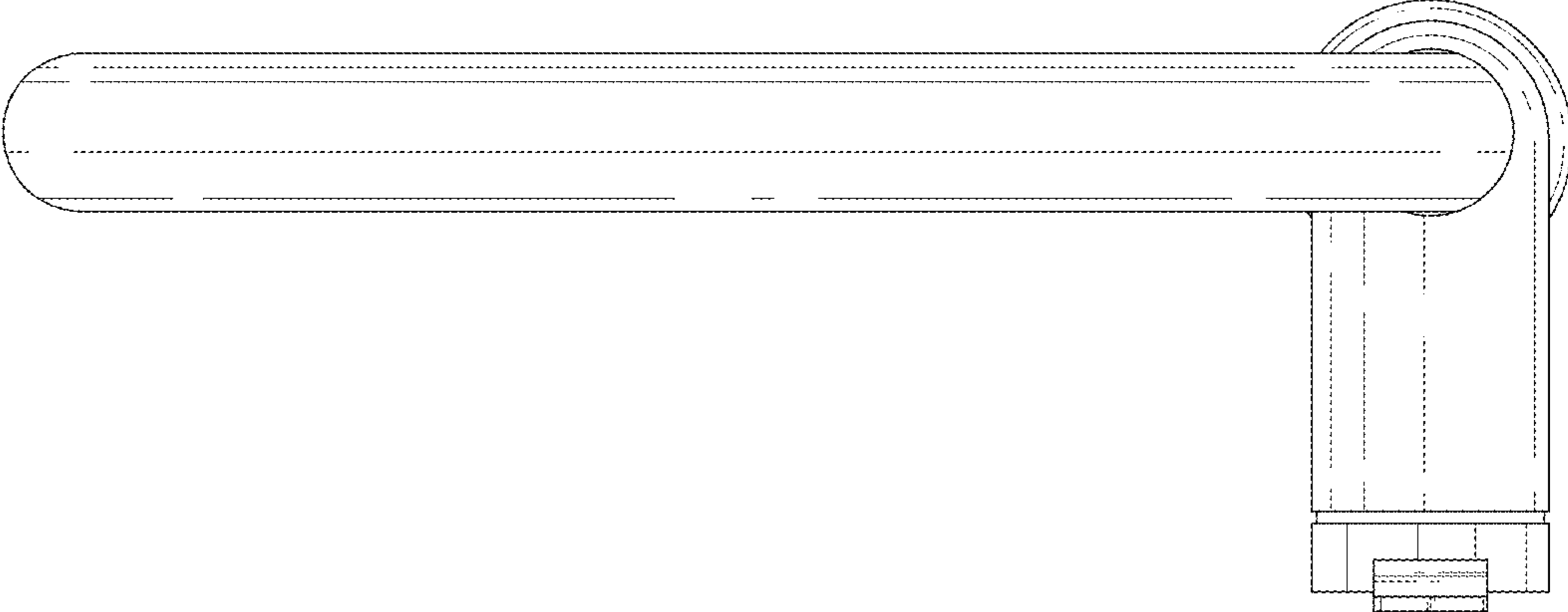


FIG. 7

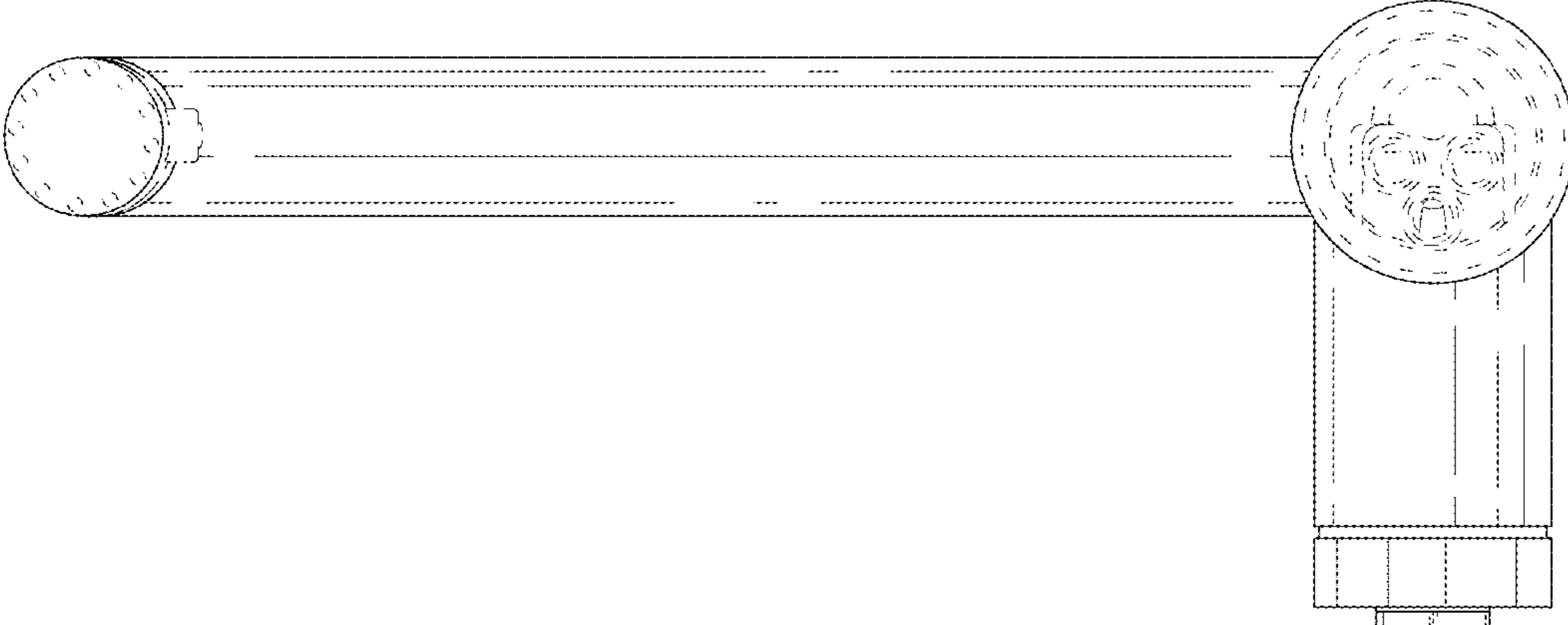


FIG. 8