



US00D921157S

(12) **United States Design Patent**
Moffett, III et al.

(10) **Patent No.:** **US D921,157 S**
(45) **Date of Patent:** **** Jun. 1, 2021**

(54) **DISHWASHER BACK FLOW CHECK VALVE**

D347,465 S * 5/1994 Luppino D23/233
D895,773 S * 9/2020 Reilly D23/237

(71) Applicants: **Noah Moffett, III**, Norfolk, VA (US);
Joe Carter, Chesapeake, VA (US)

* cited by examiner

(72) Inventors: **Noah Moffett, III**, Norfolk, VA (US);
Joe Carter, Chesapeake, VA (US)

Primary Examiner — Gino Colan

(74) *Attorney, Agent, or Firm* — William G. Sykes

(**) Term: **15 Years**

(21) Appl. No.: **29/683,002**

(22) Filed: **Mar. 9, 2019**

(51) **LOC (13) Cl.** **23-01**

(52) **U.S. Cl.**
USPC **D23/237**

(58) **Field of Classification Search**
USPC D23/233, 237
CPC F16K 27/0209; F16K 15/00; F16K 15/181;
F16K 31/12

See application file for complete search history.

(56) **References Cited**

U.S. PATENT DOCUMENTS

D260,280 S * 8/1981 Campbell D23/237

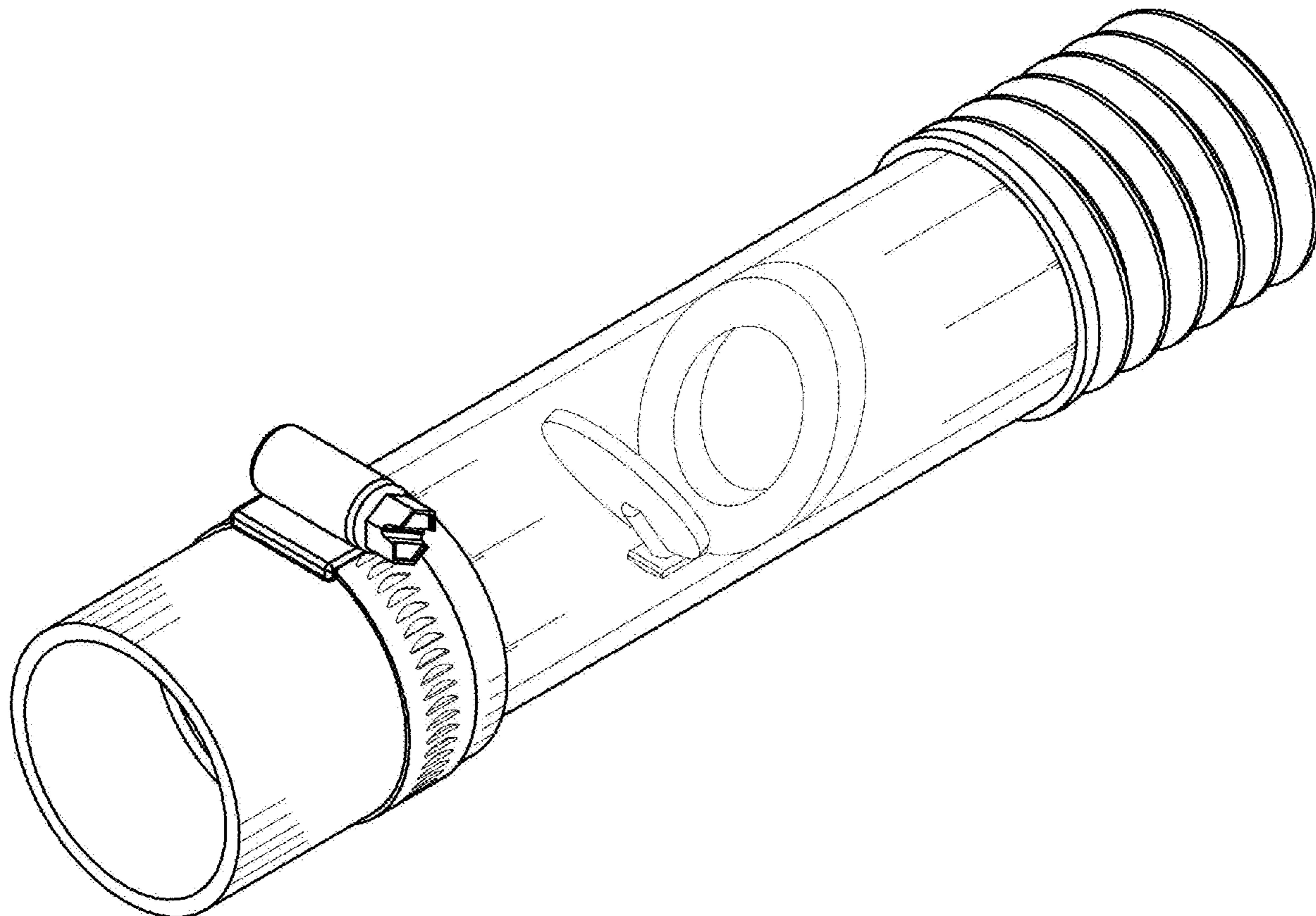
(57) **CLAIM**

The ornamental design for a dishwasher back flow check valve, as shown and described.

DESCRIPTION

FIG. 1 is a front right isometric view of a dishwasher back flow check valve showing my new design;
FIG. 2 is a right-side view thereof;
FIG. 3 is a top view thereof;
FIG. 4 is a bottom view thereof;
FIG. 5 is a back view thereof;
FIG. 6 is a front view thereof; and,
FIG. 7 is a left-side view.

1 Claim, 7 Drawing Sheets



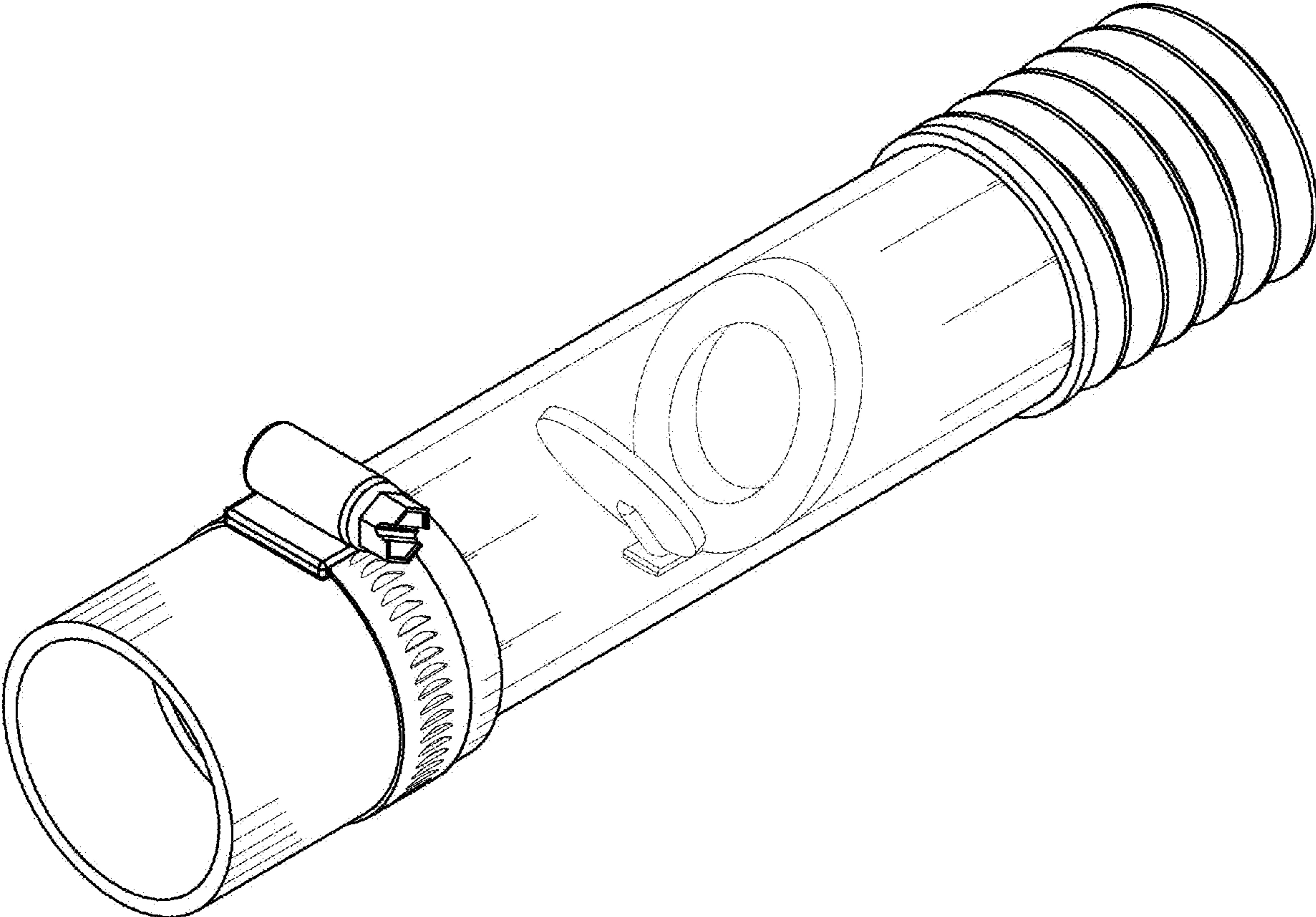


Fig. 1

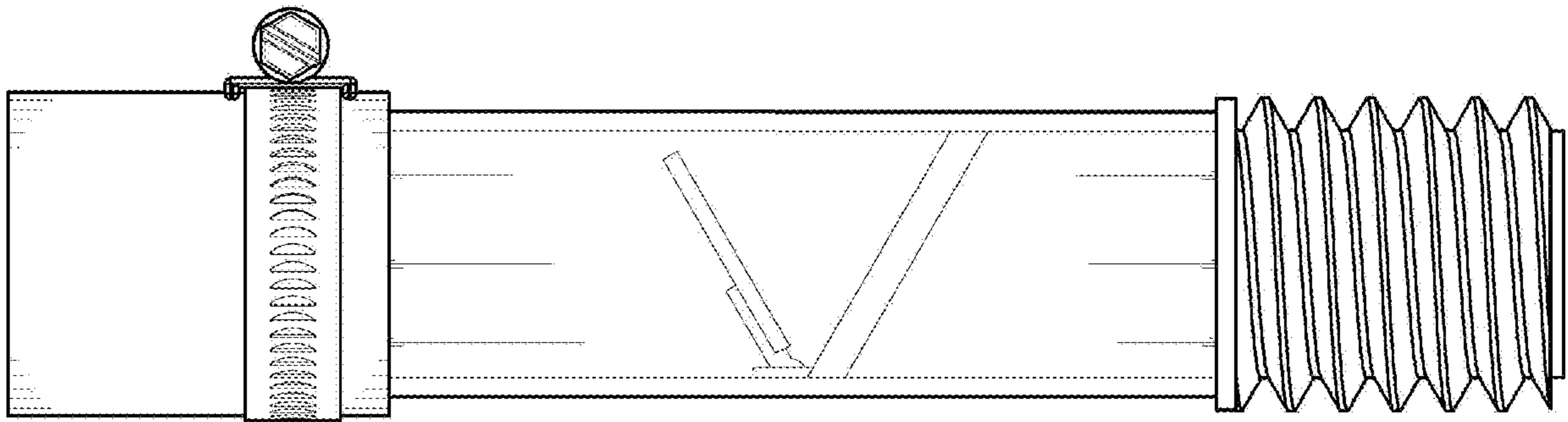


Fig. 2

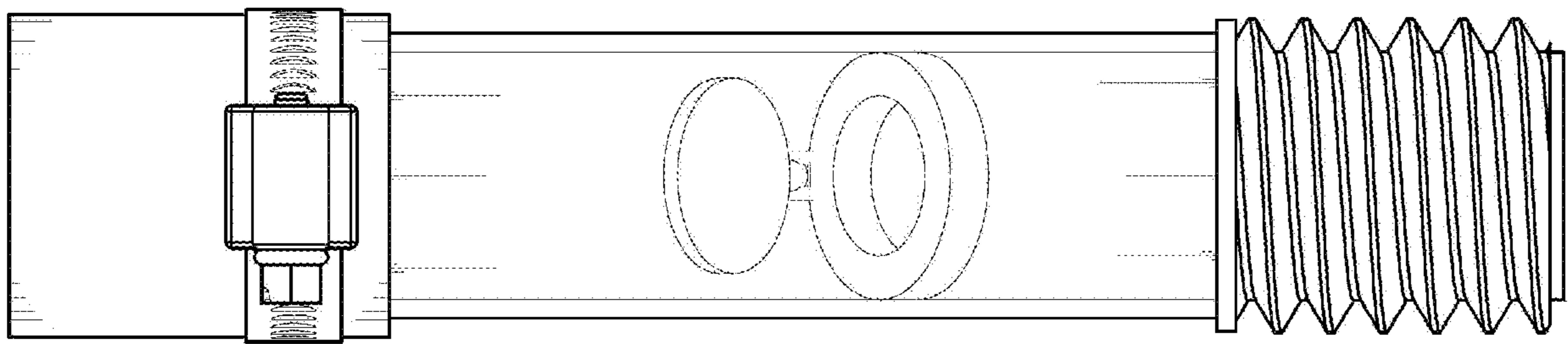


Fig. 3

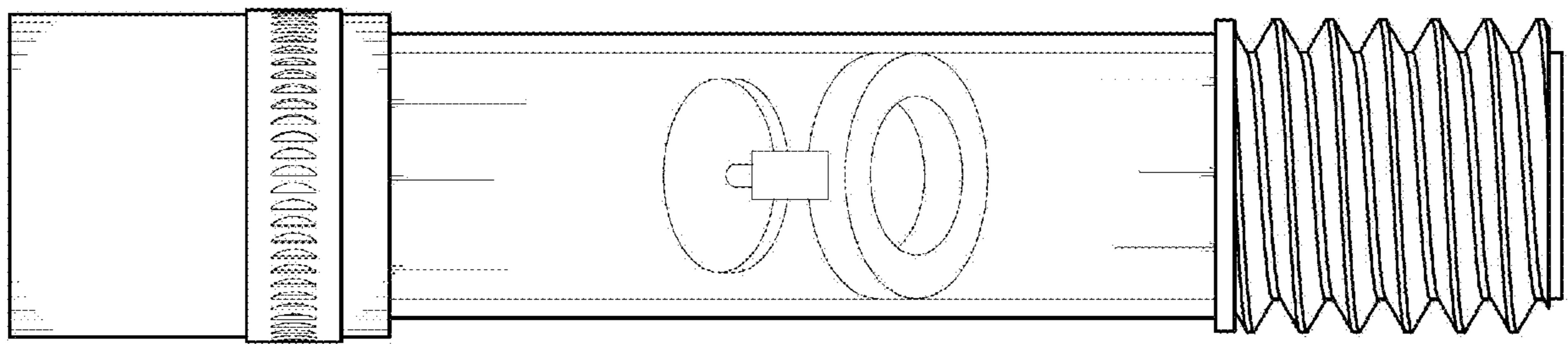


Fig. 4

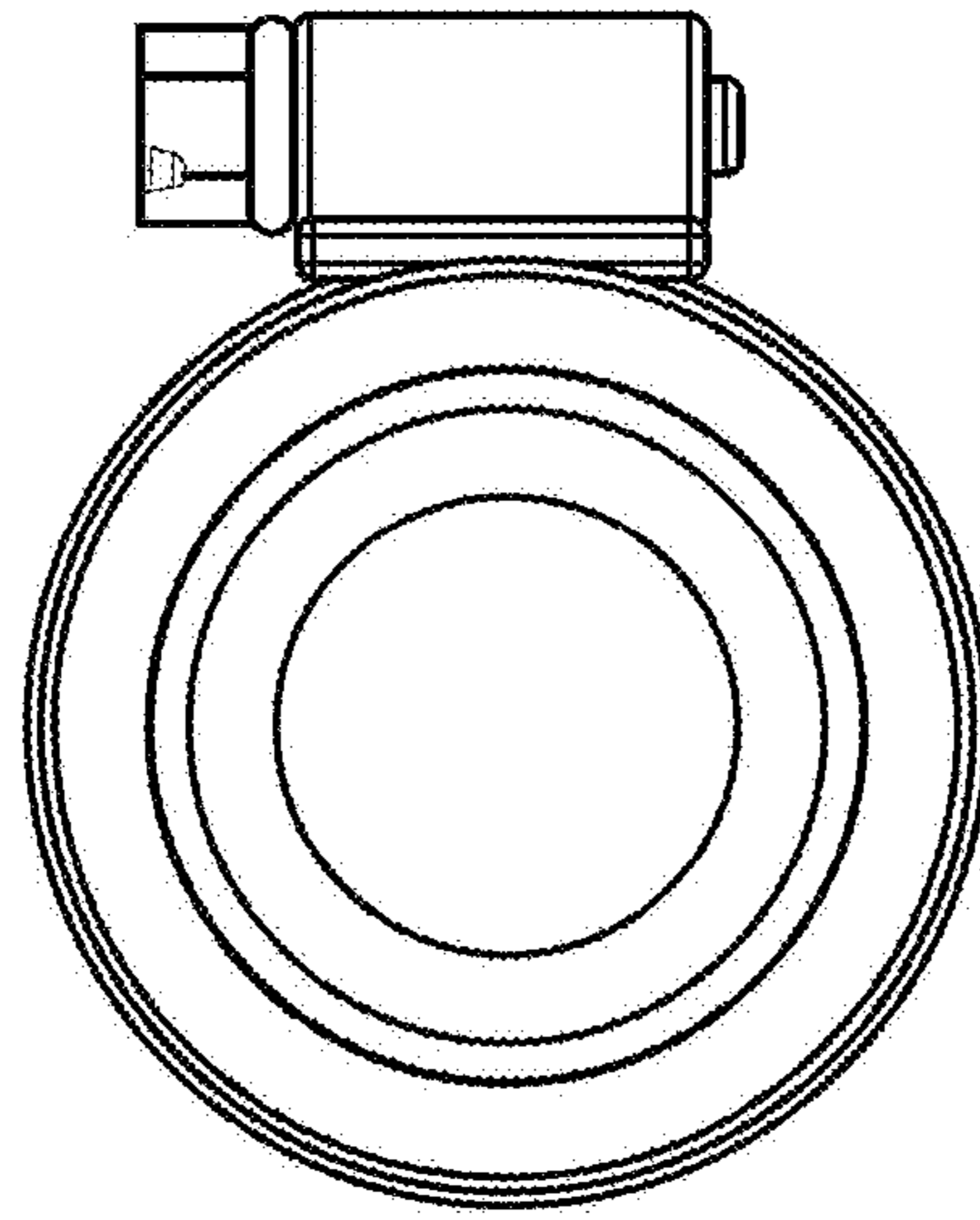


Fig. 5

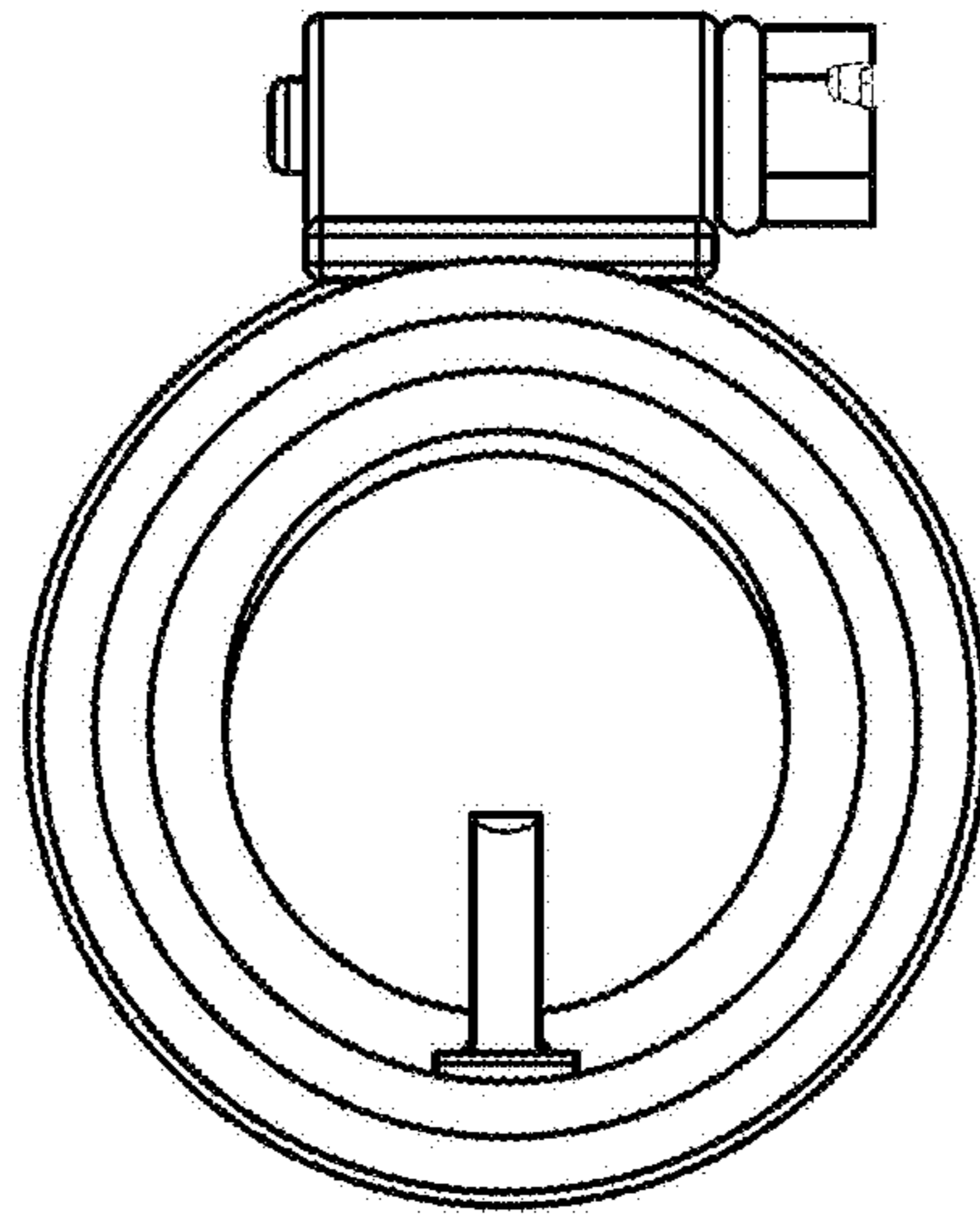


Fig. 6

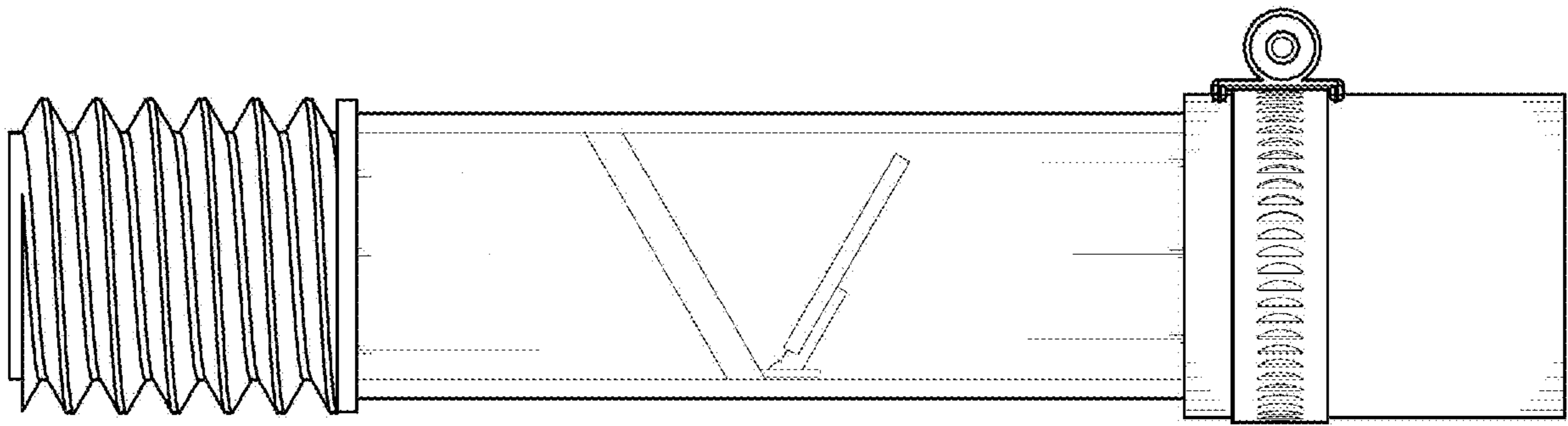


Fig. 7