



US00D921156S

(12) **United States Design Patent**
Chen

(10) **Patent No.:** **US D921,156 S**
(45) **Date of Patent:** **** Jun. 1, 2021**

- (54) **SPRAY GUN**
- (71) Applicant: **SHIN TAI SPURT WATER OF THE GARDEN TOOLS CO., LTD.,**
Chang-Hua Hsien (TW)
- (72) Inventor: **Chin-Yuan Chen, Chang-Hua Hsien**
(TW)
- (73) Assignee: **SHIN TAI SPURT WATER OF THE GARDEN TOOLS CO., LTD.,**
Chang-Hua Hsien (TW)
- (**) Term: **15 Years**
- (21) Appl. No.: **29/703,411**
- (22) Filed: **Aug. 27, 2019**
- (51) **LOC (13) Cl.** **23-01**
- (52) **U.S. Cl.**
USPC **D23/226**
- (58) **Field of Classification Search**
USPC D8/2; D23/213, 223, 224, 226, 229, 230
CPC B05B 1/16; B05B 9/01; B05B 12/002; B05B 12/0022; B05B 12/0024; B05B 12/0026;
B05B 15/63; B25G 1/10; A01M 7/0046
See application file for complete search history.

- 2013/0075497 A1* 3/2013 Hung B05B 9/01
239/525
- 2014/0263745 A1* 9/2014 Chen B05B 12/002
239/393
- 2014/0367497 A1* 12/2014 Hsieh B05B 9/01
239/526
- 2019/0299223 A1* 10/2019 Yu B05B 1/1636

OTHER PUBLICATIONS

“Viking 968701” Mar. 23, 2017, Amazon, site visited Nov. 30, 2020: <https://www.amazon.com/dp/B06XT45SXD/> (Year: 2017).*
“Aqua Joe AJHN102”, Apr. 17, 2018, Amazon, site visited Dec. 3, 2020: <https://www.amazon.ca/dp/B07FNDWXDW/> (Year: 2018).*

* cited by examiner

Primary Examiner — Jack Reickel
Assistant Examiner — Bobby W Jones, II

(57) **CLAIM**

The ornamental design for a spray gun, as shown and described.

DESCRIPTION

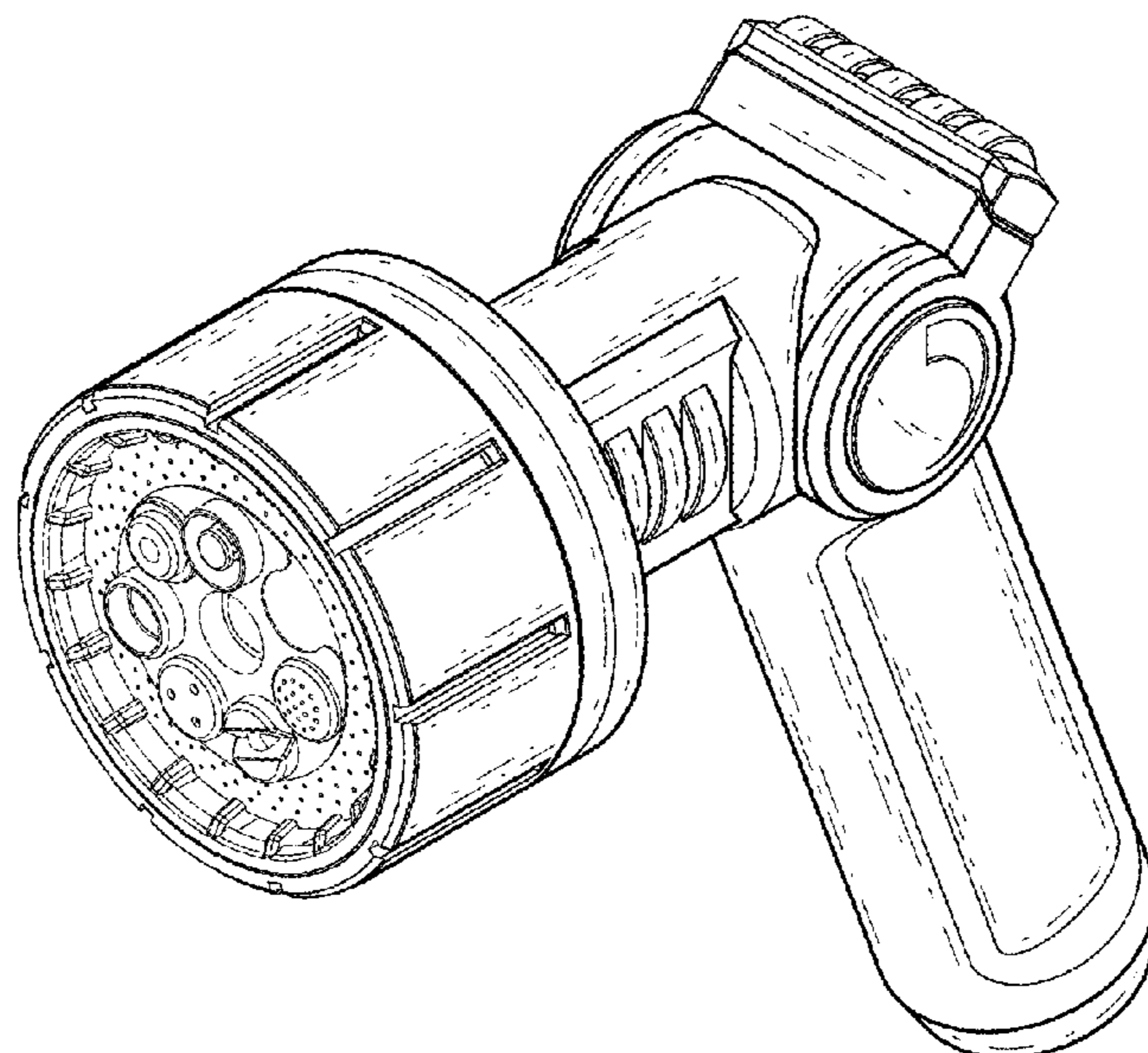
FIG. 1 is a perspective view of a spray gun showing my new design;
FIG. 2 is a front elevational view thereof;
FIG. 3 is a rear elevational view thereof;
FIG. 4 is a left side elevational view thereof;
FIG. 5 is a right side elevational view thereof;
FIG. 6 is a top plan view thereof;
FIG. 7 is a bottom plan view thereof; and,
FIG. 8 is another perspective schematic view of a spray gun showing my design.
The broken line showing of a spray gun is included for the purpose of illustrating portions of the article and forms no part of the claimed design.

1 Claim, 6 Drawing Sheets

(56) **References Cited**

U.S. PATENT DOCUMENTS

- D407,140 S * 3/1999 Heren D23/223
- 7,434,751 B1 * 10/2008 Chen B05B 1/1636
239/447
- D666,275 S * 8/2012 DeVore D23/223
- D846,072 S * 4/2019 Pease D23/223
- D870,846 S * 12/2019 Mezzalira D23/213
- D876,581 S * 2/2020 Hsieh D23/213
- 2005/0274825 A1 * 12/2005 Seguin A62C 31/02
239/525
- 2013/0015270 A1 * 1/2013 Lai B05B 1/3026
239/526



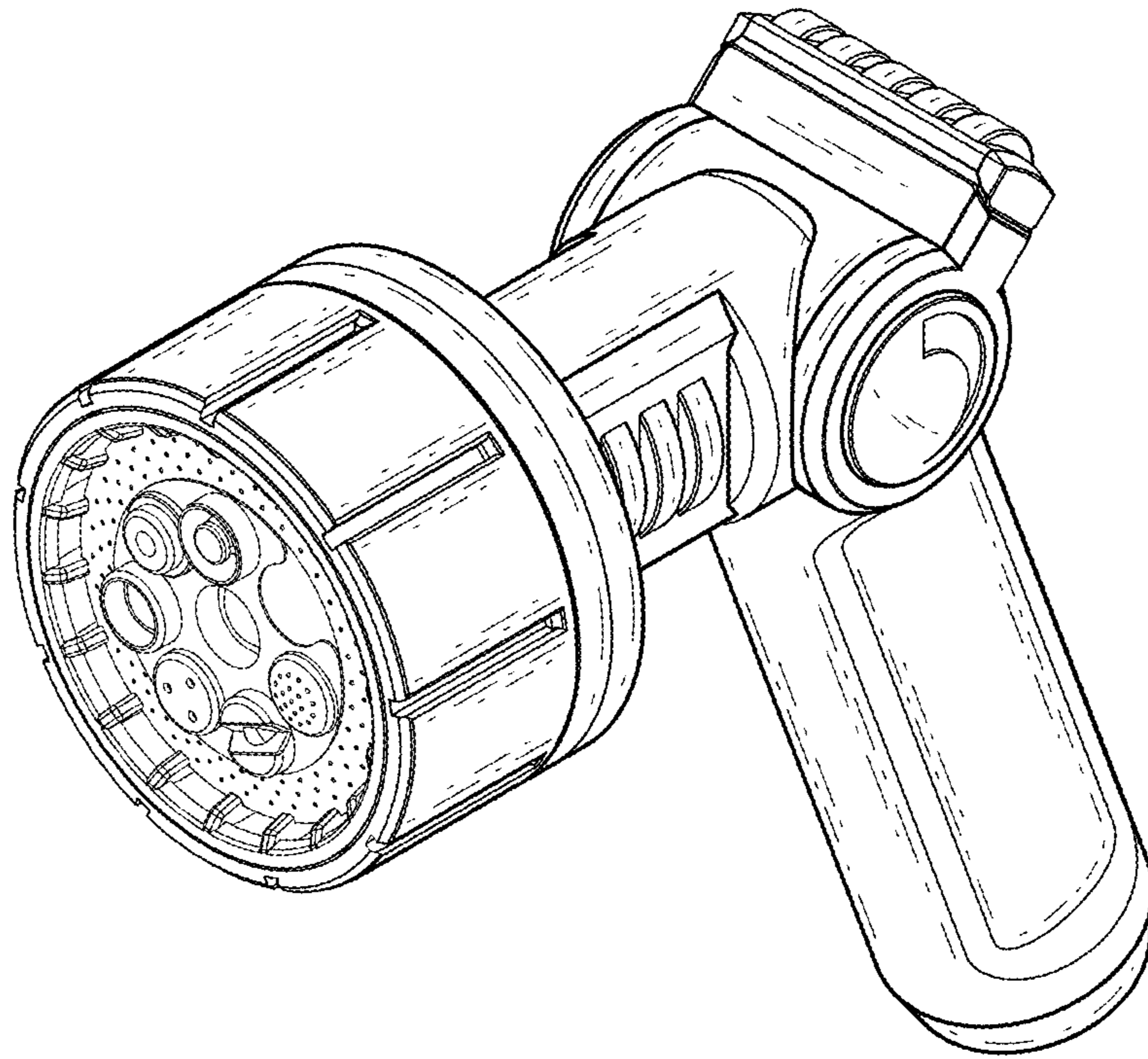


FIG.1

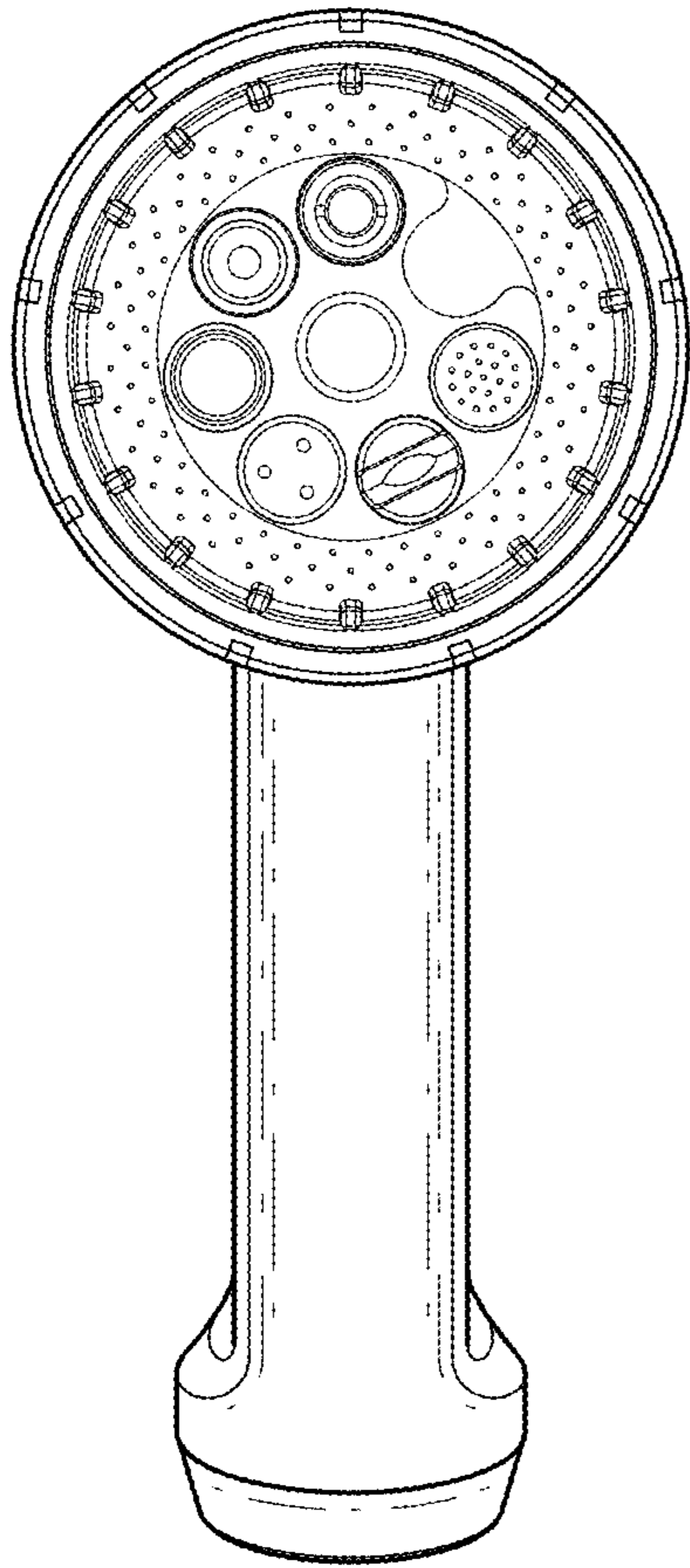


FIG. 2

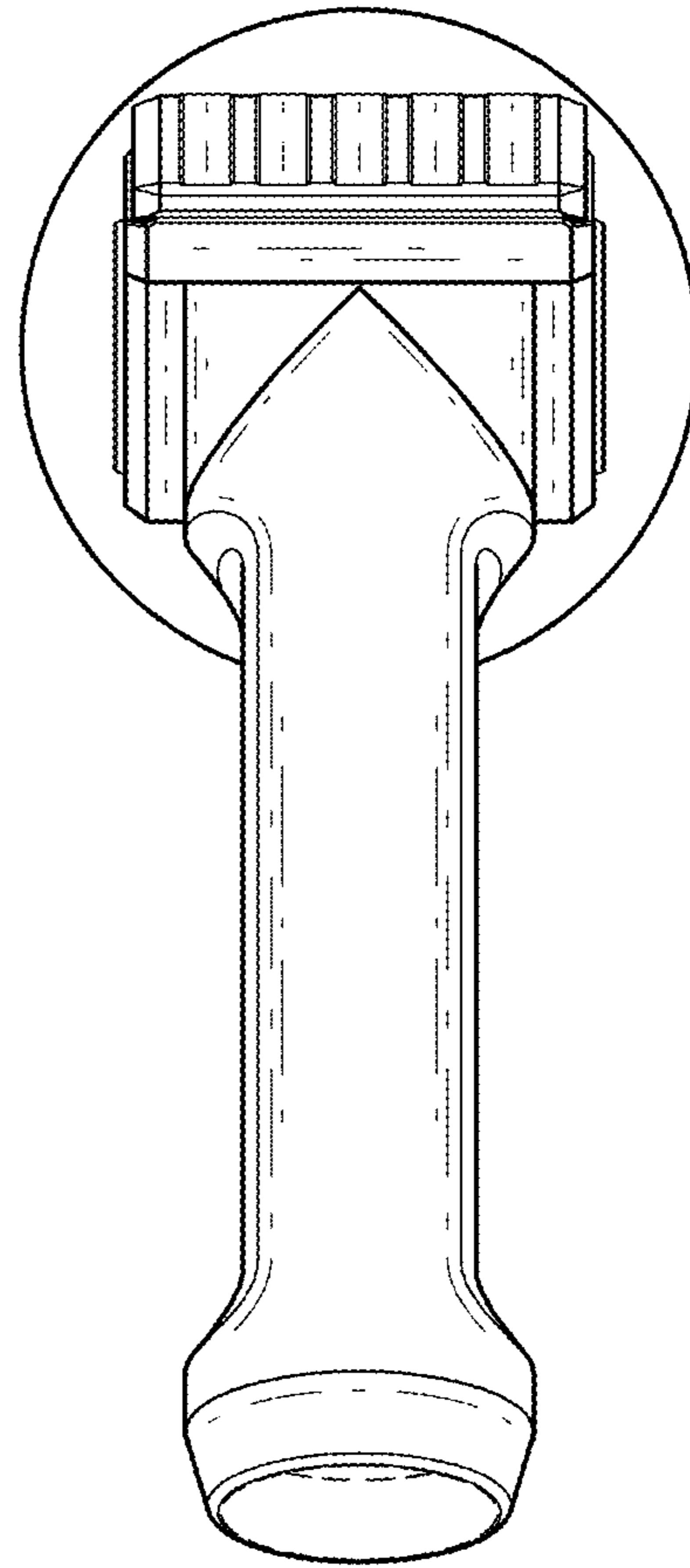


FIG. 3

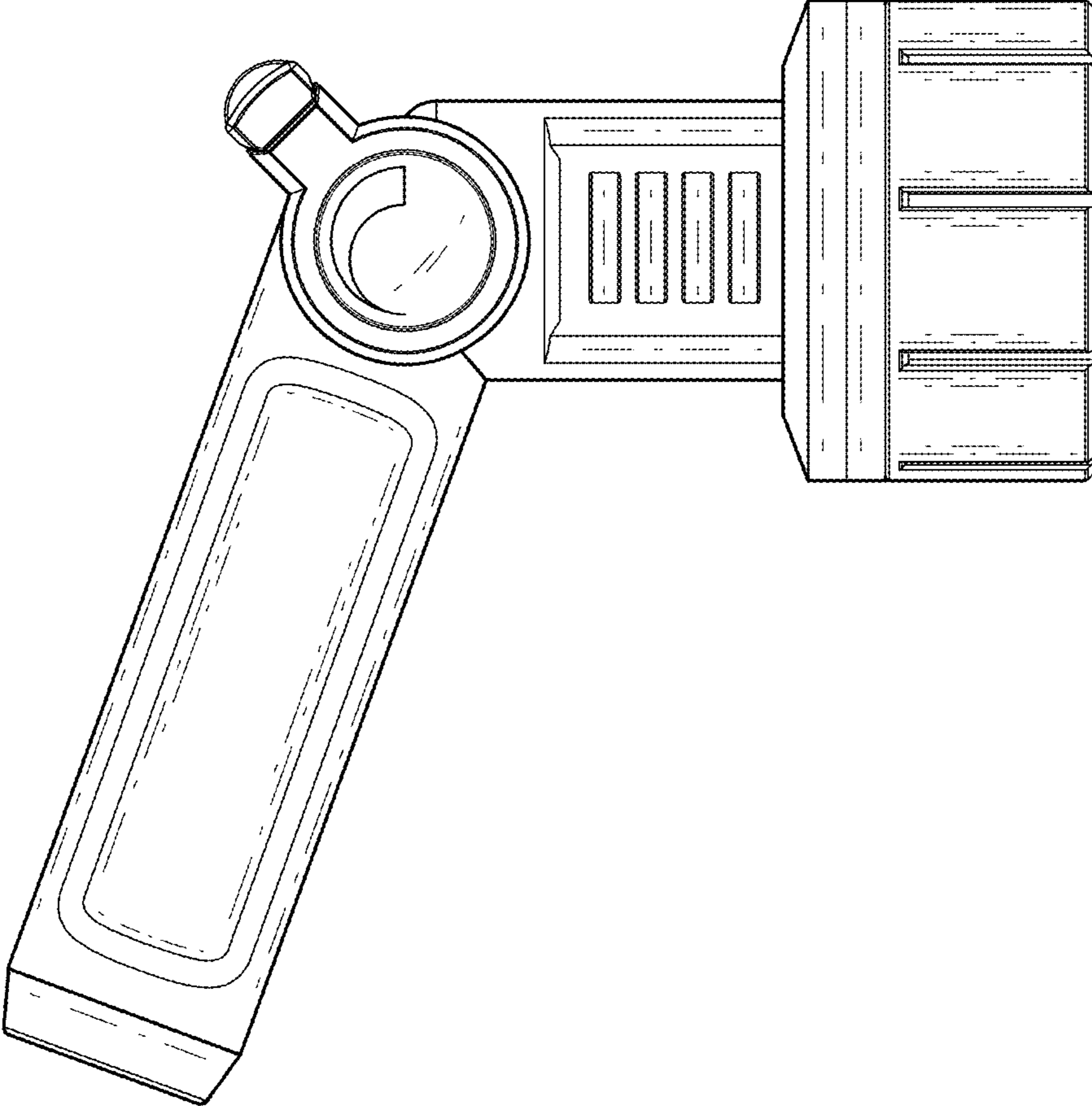


FIG.4

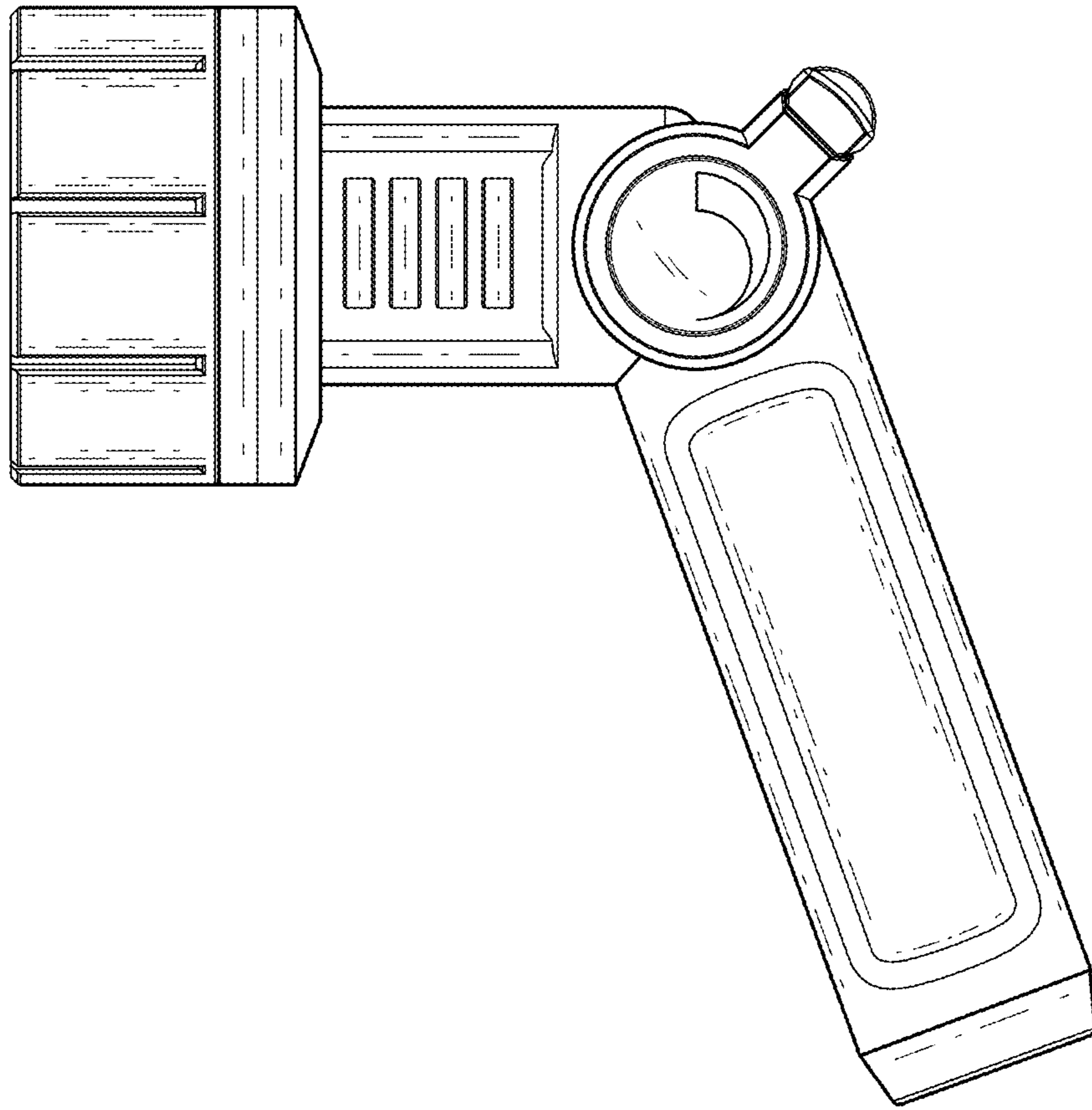


FIG.5

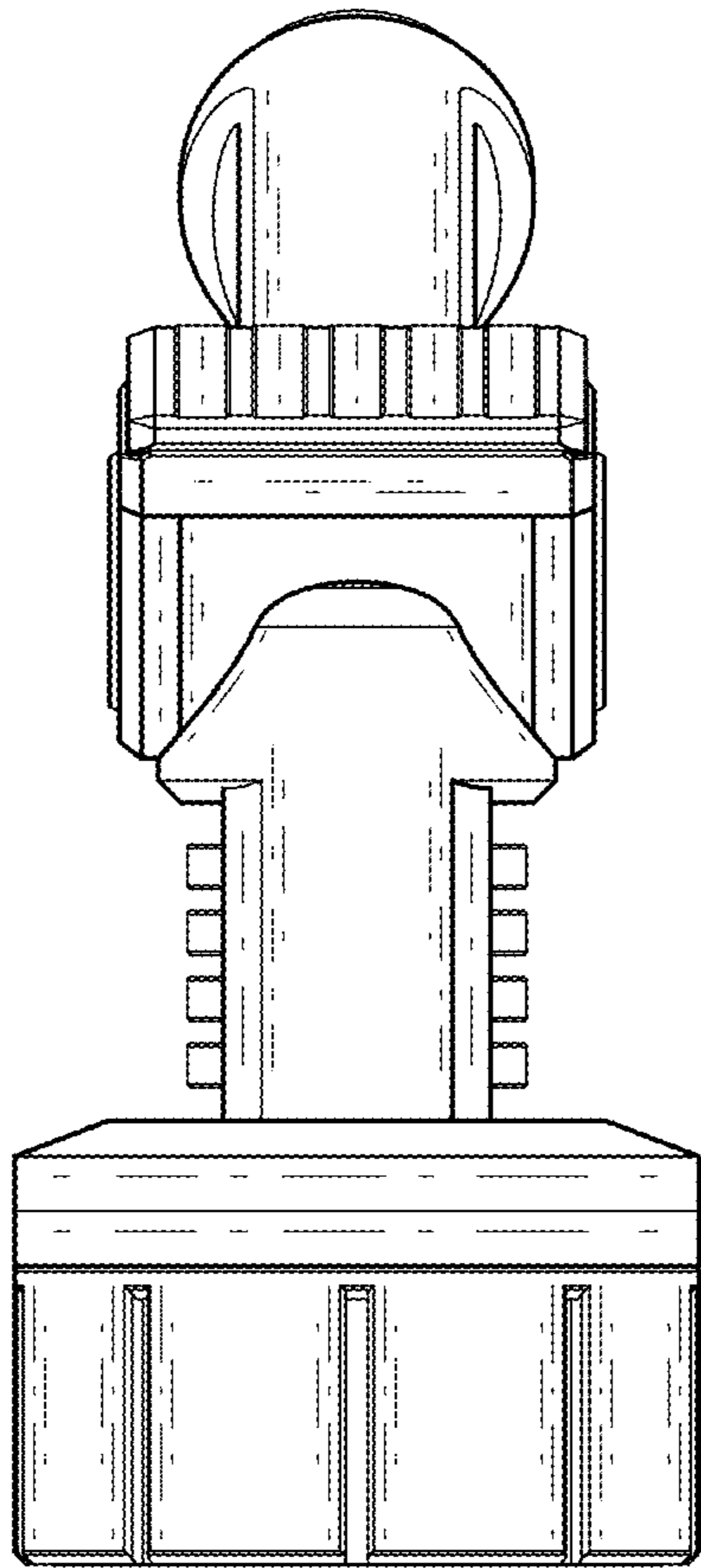


FIG.6

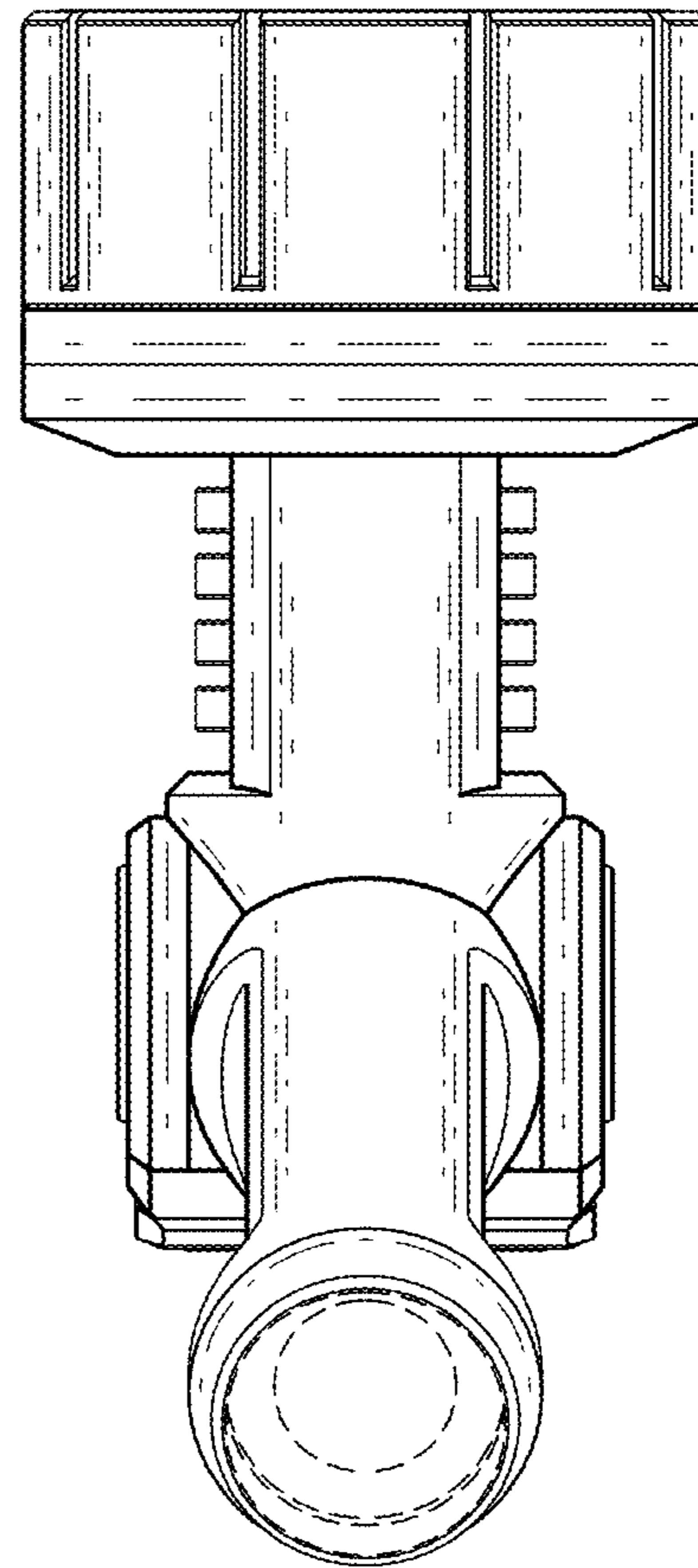


FIG.7

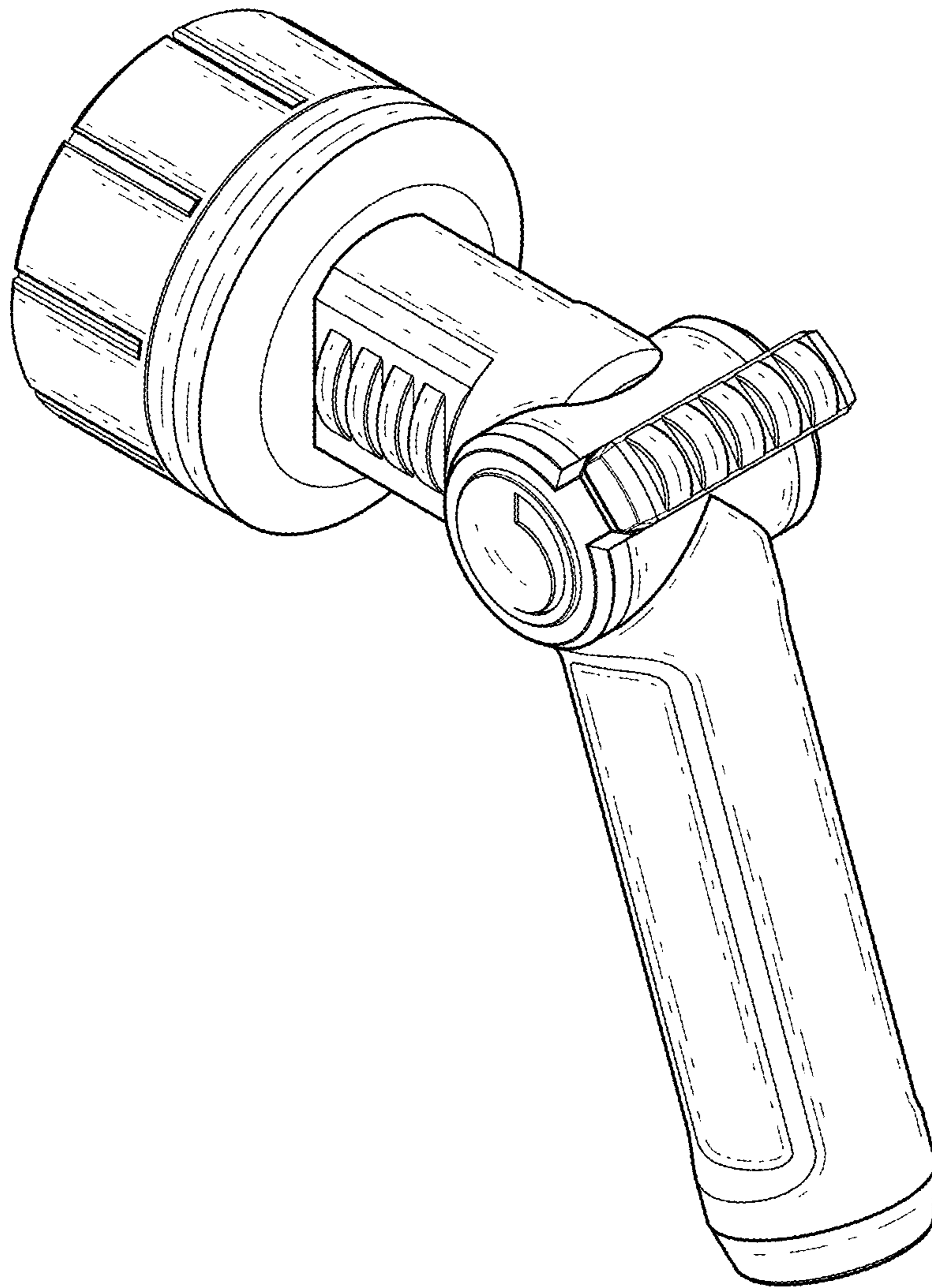


FIG.8