



US00D921155S

(12) **United States Design Patent**
Chen

(10) **Patent No.:** **US D921,155 S**
(45) **Date of Patent:** **** Jun. 1, 2021**

(54) **GARDENING SPRAY GUN**
(71) Applicant: **SHIN TAI SPURT WATER OF THE GARDEN TOOLS CO., LTD.,**
Chang-Hua Hsien (TW)

D792,947 S * 7/2017 Hung D23/226
9,707,573 B1 * 7/2017 Huang B05B 12/002
D846,071 S * 4/2019 Pease D23/213
D846,695 S * 4/2019 Pease D23/223
D892,272 S * 8/2020 Urry D23/223
2006/0249599 A1 * 11/2006 Guo F16K 35/025
239/530

(72) Inventor: **Chin-Yuan Chen, Chang-Hua Hsien**
(TW)

(73) Assignee: **SHIN TAI SPURT WATER OF THE GARDEN TOOLS CO., LTD.,**
Chang-Hua Hsien (TW)

(**) Term: **15 Years**

(21) Appl. No.: **29/702,573**

(22) Filed: **Aug. 20, 2019**

(51) **LOC (13) Cl.** **23-01**

(52) **U.S. Cl.**
USPC **D23/226**

(58) **Field of Classification Search**
USPC D8/2; D23/213, 223, 224, 226, 229, 230
CPC B05B 1/16; B05B 9/01; B05B 12/002;
B05B 12/0022; B05B 12/0024; B05B
12/0026; B05B 15/63; B25G 1/10; A01M
7/0046

See application file for complete search history.

(56) **References Cited**

U.S. PATENT DOCUMENTS

D458,343 S * 6/2002 Chen D23/213
D513,306 S * 12/2005 Chen D23/226
D557,379 S * 12/2007 Chen D23/223
8,123,151 B2 * 2/2012 Cheng B05B 1/3026
239/586
D705,898 S * 5/2014 Chen D23/223
D792,945 S * 7/2017 Cheng D23/224

OTHER PUBLICATIONS

“Viking 969001” Nov. 1, 2017, Amazon, site visited Dec. 9, 2020:
<https://www.amazon.com/dp/B07738PBML/> (Year: 2017).*
“Camco Thumb Lever Nozzle”, Nov. 9, 2018, Amazon, site visited
Dec. 3, 2020: <https://www.amazon.ca/dp/B07JZZ9V8Y/> (Year: 2018).*

* cited by examiner

Primary Examiner — Jack Reickel

Assistant Examiner — Bobby W Jones, II

(57) **CLAIM**

The ornamental design for a gardening spray gun, as shown
and described.

DESCRIPTION

FIG. 1 is a perspective view of a gardening spray gun
showing my new design;

FIG. 2 is a front elevational view thereof;

FIG. 3 is a rear elevational view thereof;

FIG. 4 is a left side elevational view thereof;

FIG. 5 is a right side elevational view thereof;

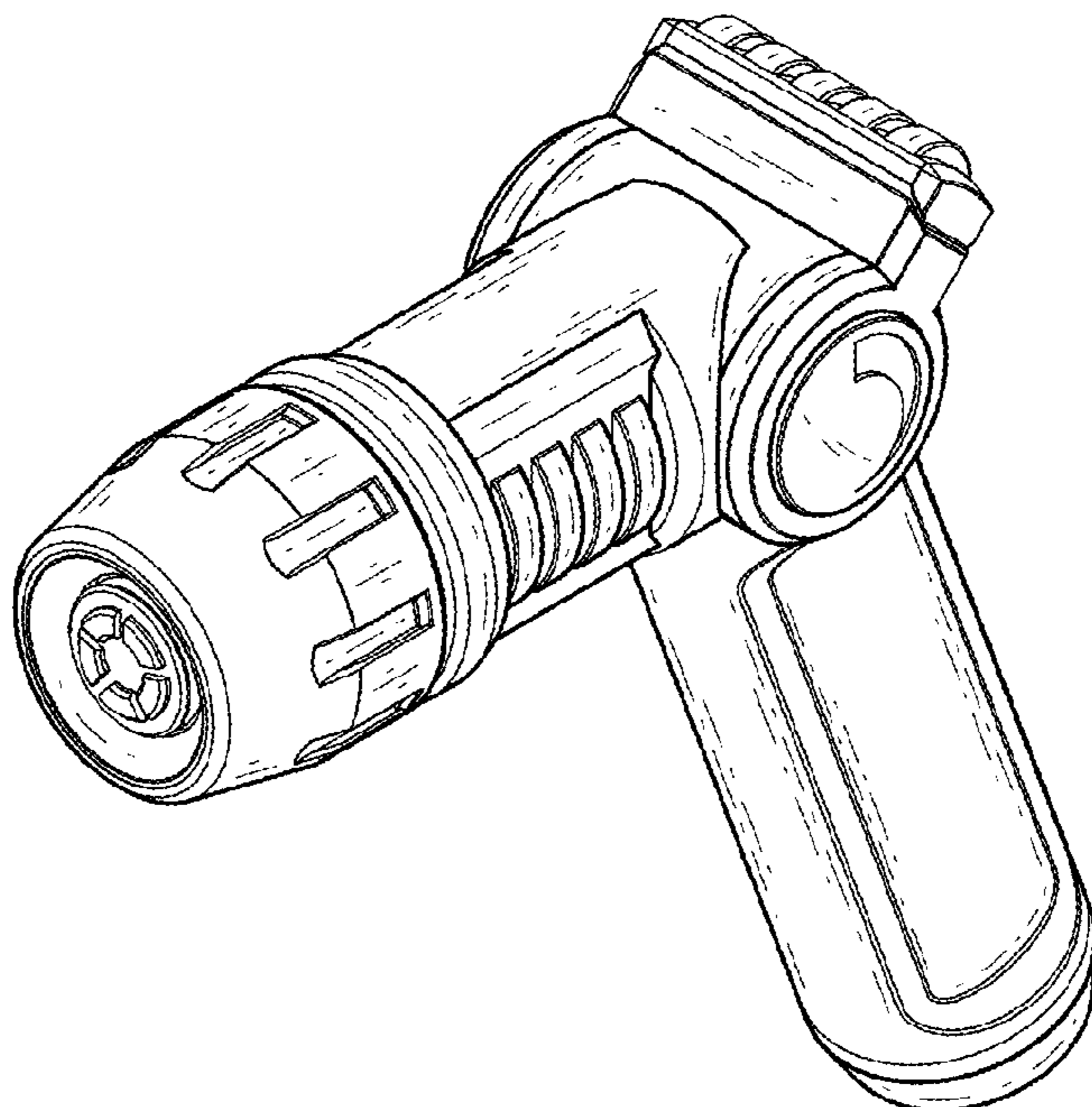
FIG. 6 is a top plan view thereof;

FIG. 7 is a bottom plan view thereof; and,

FIG. 8 is another perspective schematic view of a gardening
spray gun showing my design.

The broken line showing of a gardening spray gun is
included for the purpose of illustrating portions of the article
and forms no part of the claimed design.

1 Claim, 6 Drawing Sheets



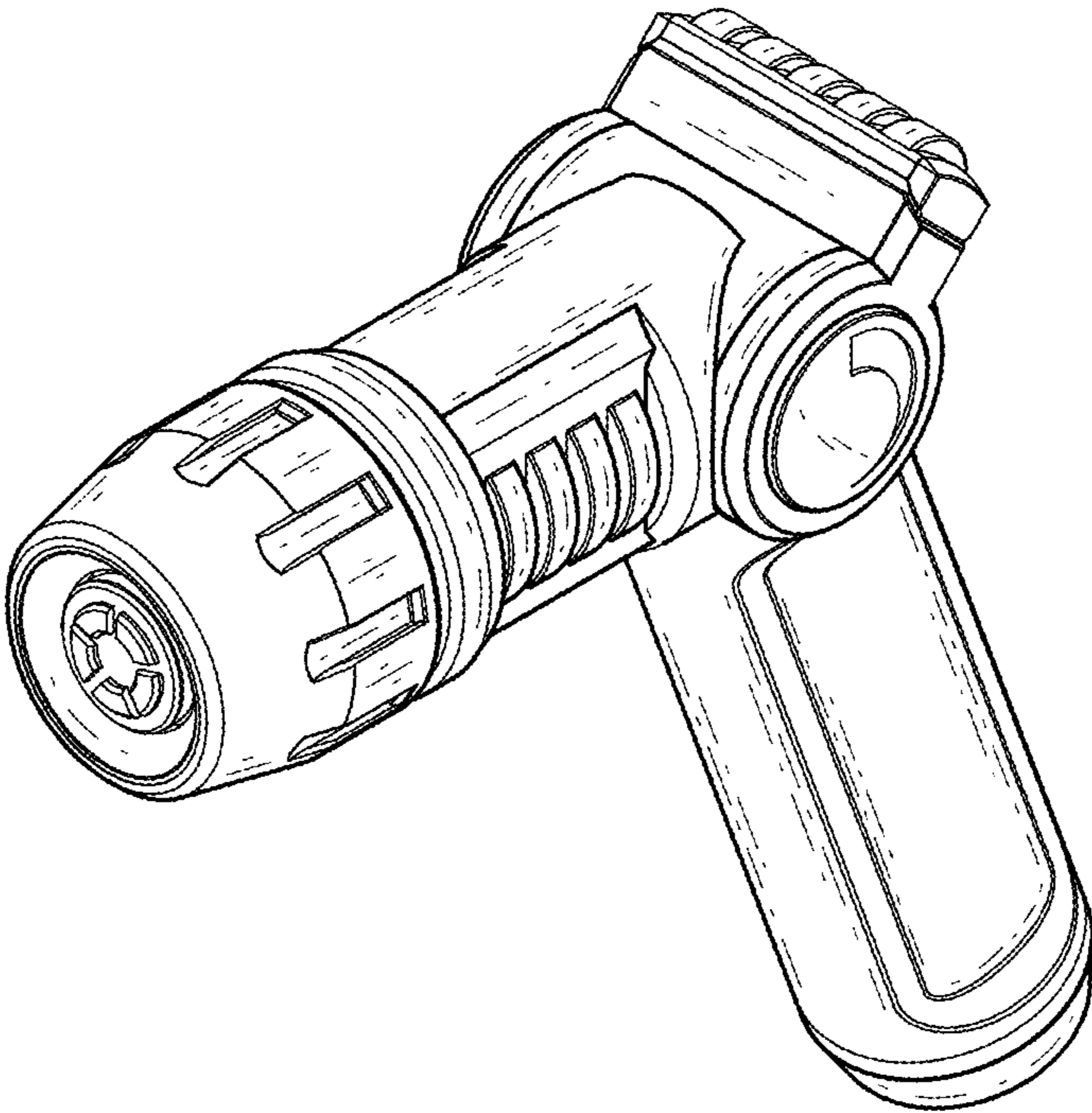


FIG.1

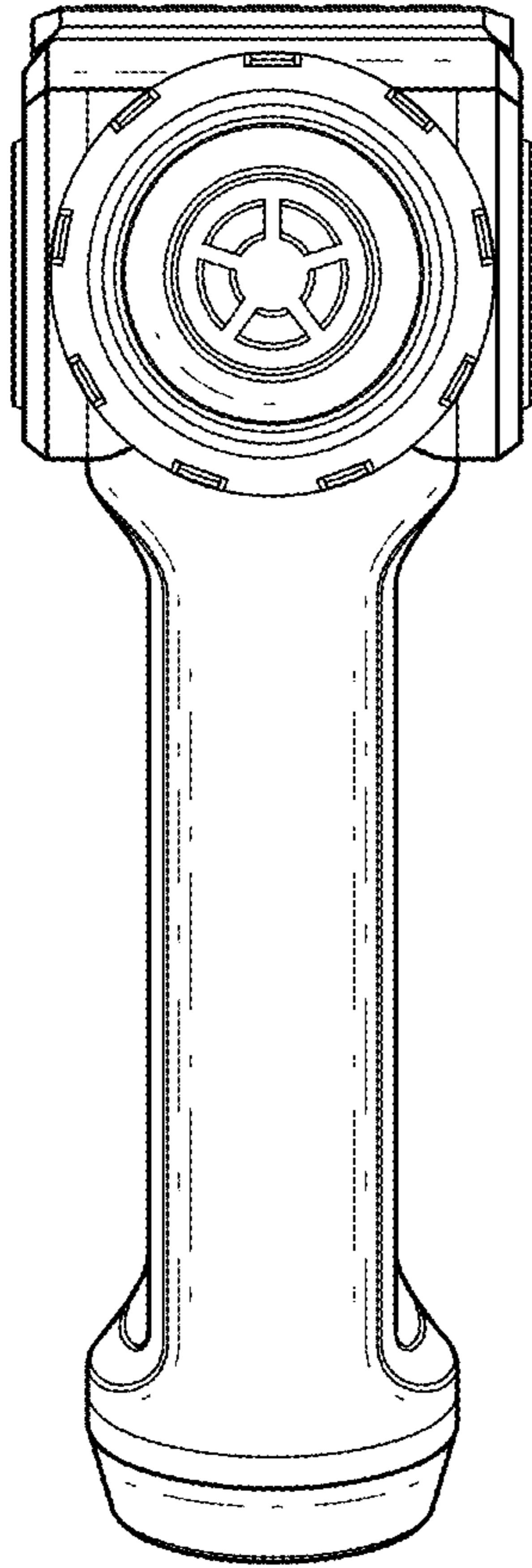


FIG.2

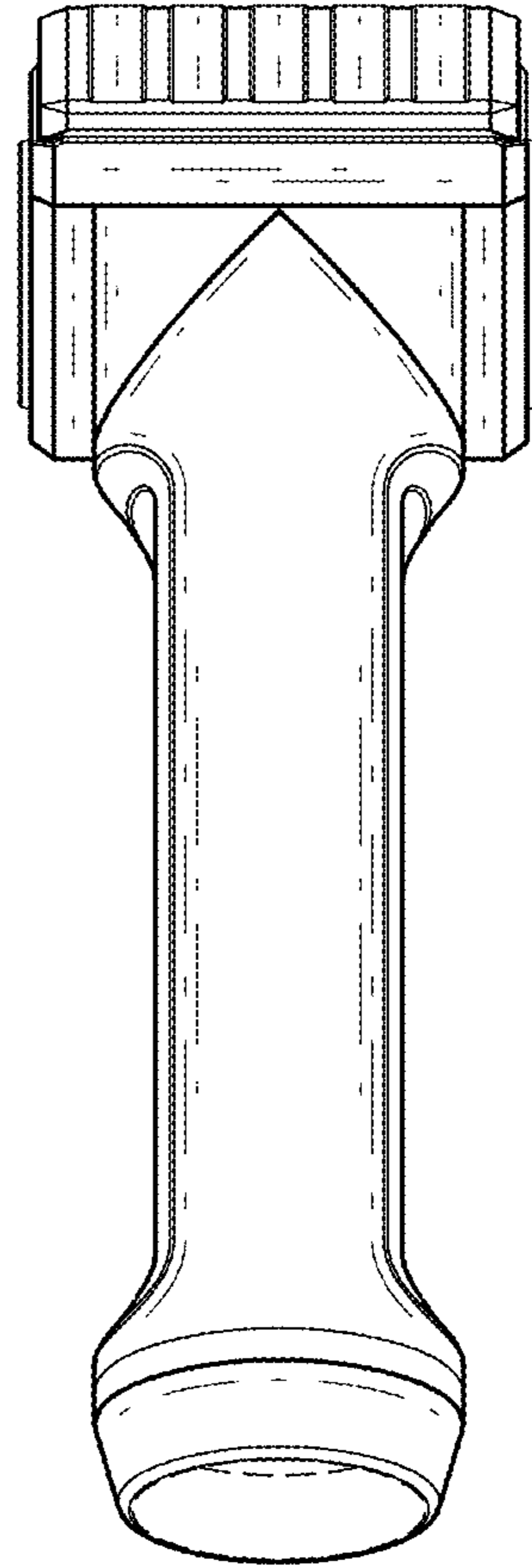


FIG.3

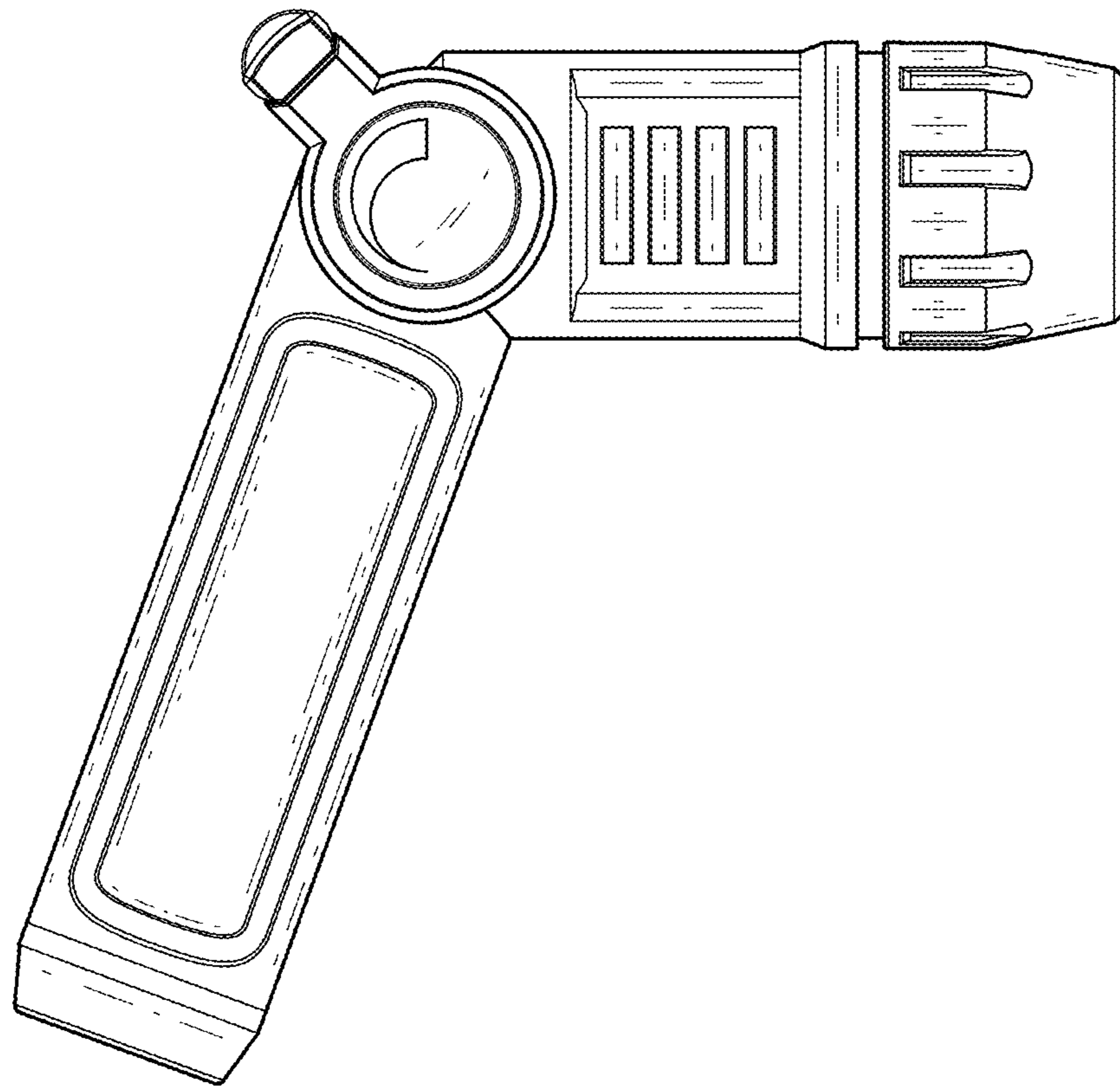


FIG.4

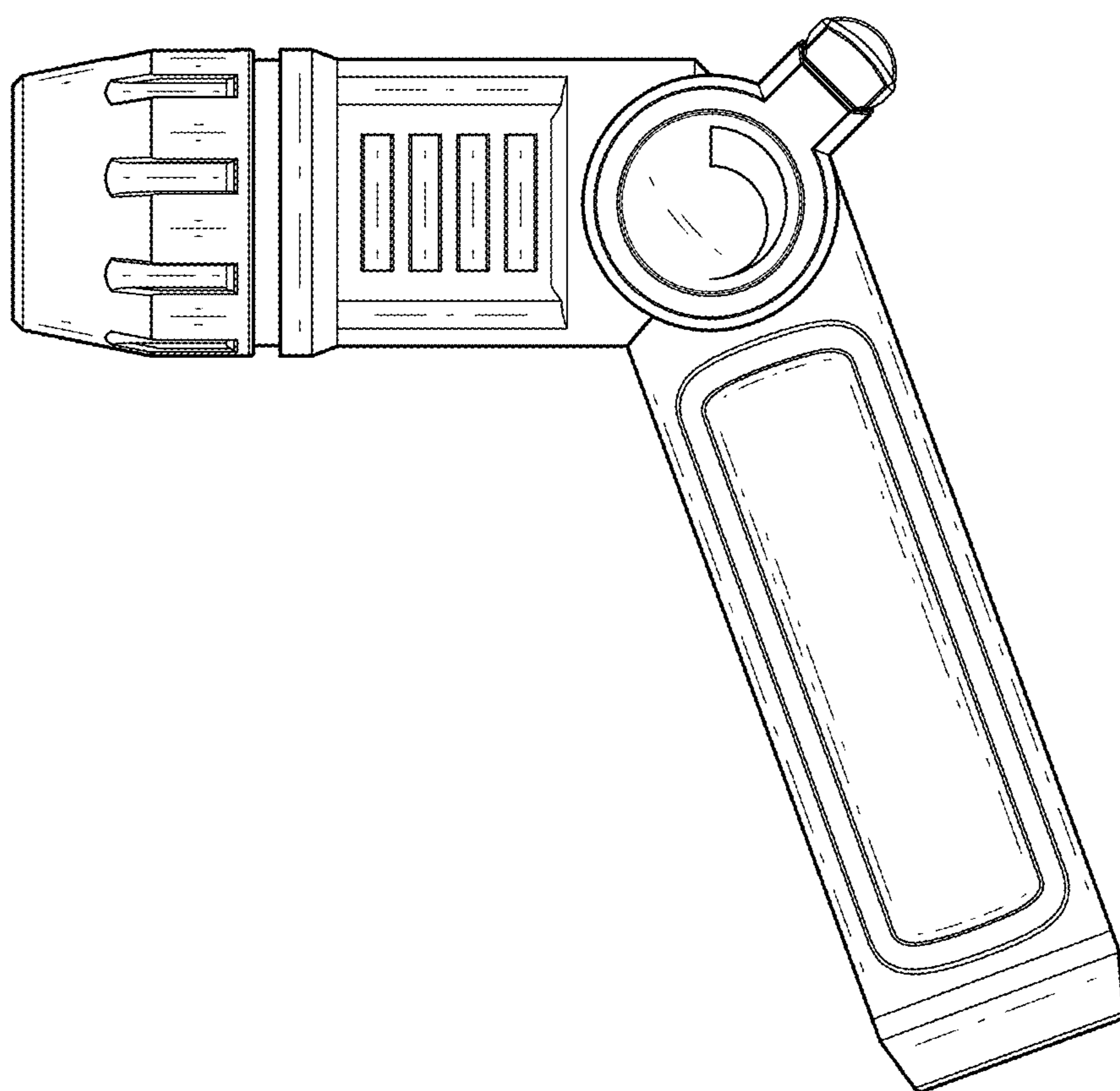


FIG.5

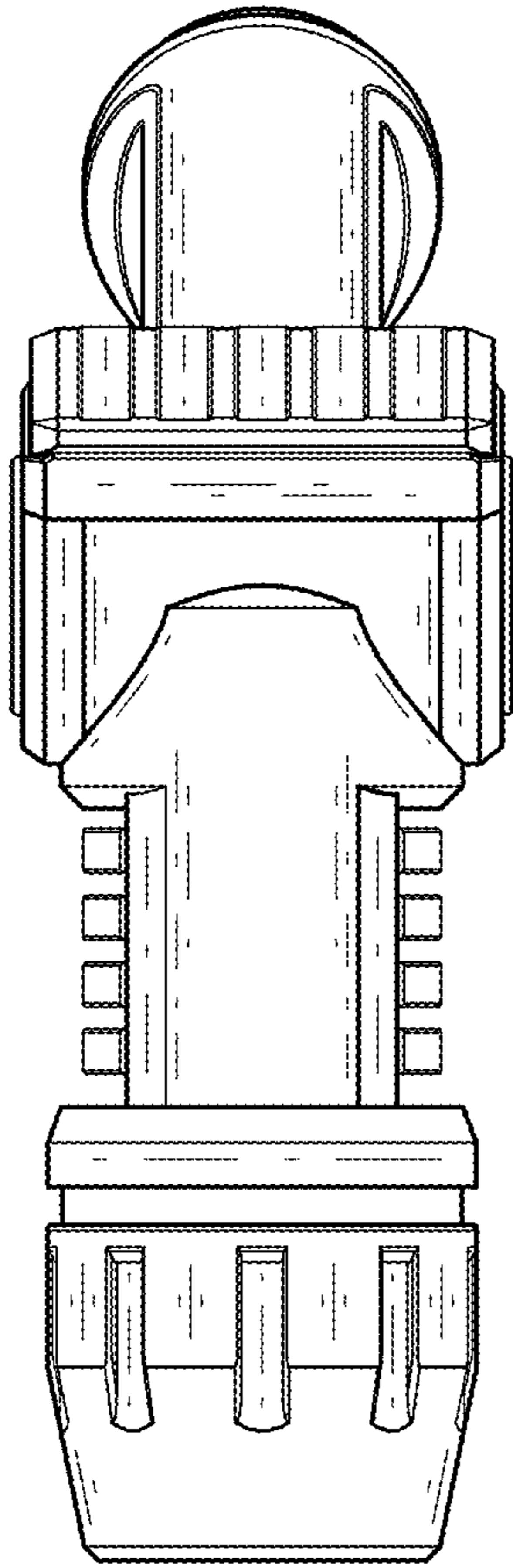


FIG. 6

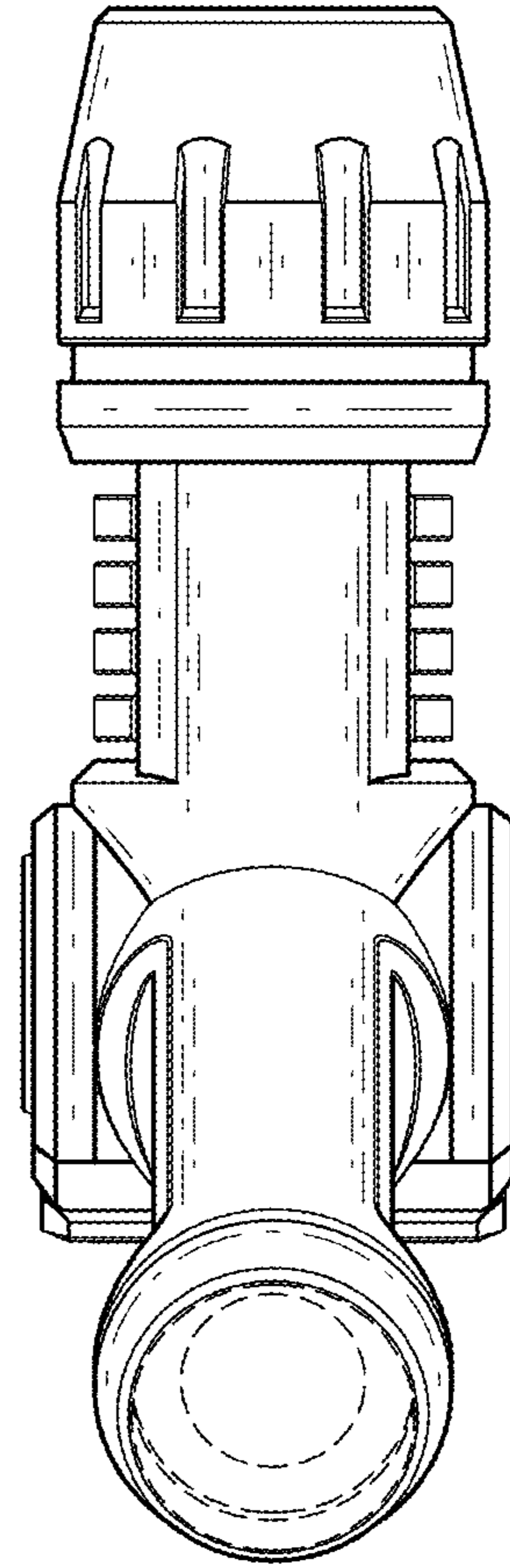


FIG. 7

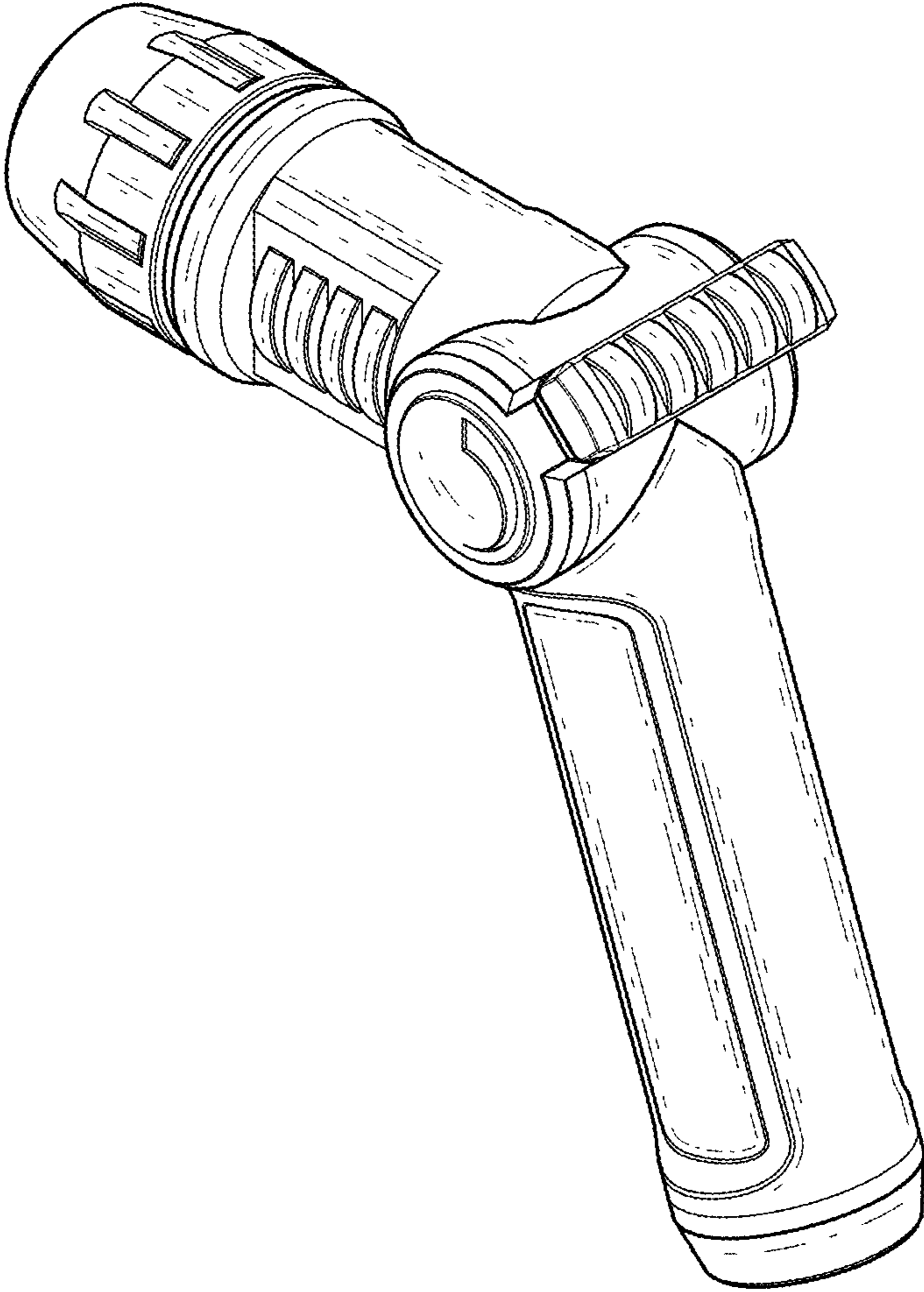


FIG.8