



US00D921154S

(12) **United States Design Patent**  
**Staedtler et al.**

(10) **Patent No.:** **US D921,154 S**

(45) **Date of Patent:** **\*\* Jun. 1, 2021**

- (54) **AERATOR FOR TAPS**
- (71) Applicant: **Neoperl GmbH**, Müllheim (DE)
- (72) Inventors: **Georg Staedtler**, Müllheim (DE);  
**David Birmelin**, Müllheim (DE)
- (73) Assignee: **Neoperl GmbH**, Müllheim (DE)
- (\*\*) Term: **15 Years**

D602,567	S	*	10/2009	Stadtler	.....	D23/235
D609,781	S	*	2/2010	Stadtler	.....	D23/249
D609,787	S	*	2/2010	Stadtler	.....	D23/249
D610,654	S	*	2/2010	Stadtler	.....	D23/249
D615,625	S	*	5/2010	Stadtler	.....	D23/249
D616,070	S	*	5/2010	Stadtler	.....	D23/249
D805,841	S	*	12/2017	Khayman	.....	D7/397
D895,065	S	*	9/2020	Lai	.....	D23/213
2010/0102145	A1	*	4/2010	Staedtler	.....	E03C 1/08 239/428.5

- (21) Appl. No.: **35/508,201**
- (22) Filed: **Apr. 10, 2019**

\* cited by examiner

*Primary Examiner* — Keli L Hill

(74) *Attorney, Agent, or Firm* — Volpe Koenig

(80) **Hague Agreement Data**

Int. Filing Date: **Apr. 10, 2019**  
 Int. Reg. No.: **DM/204892**  
 Int. Reg. Date: **Apr. 10, 2019**  
 Int. Reg. Pub. Date: **Dec. 20, 2019**

(57) **CLAIM**

The ornamental design for an aerator for taps, as shown and described.

(51) **LOC (13) Cl.** ..... **23-01**

(52) **U.S. Cl.**  
USPC ..... **D23/213; D23/249**

(58) **Field of Classification Search**  
 USPC ..... D23/207, 213–215, 223, 224, 226, 229,  
 D23/230, 249; D7/300, 312, 313  
 CPC .... B05B 1/00; B05B 1/02; B05B 1/08; B05B  
 1/14; B05B 1/18; B05B 1/26; B05B  
 1/185; B05B 9/00; B05B 12/002; A61H  
 9/0021; A61H 33/00  
 See application file for complete search history.

**DESCRIPTION**

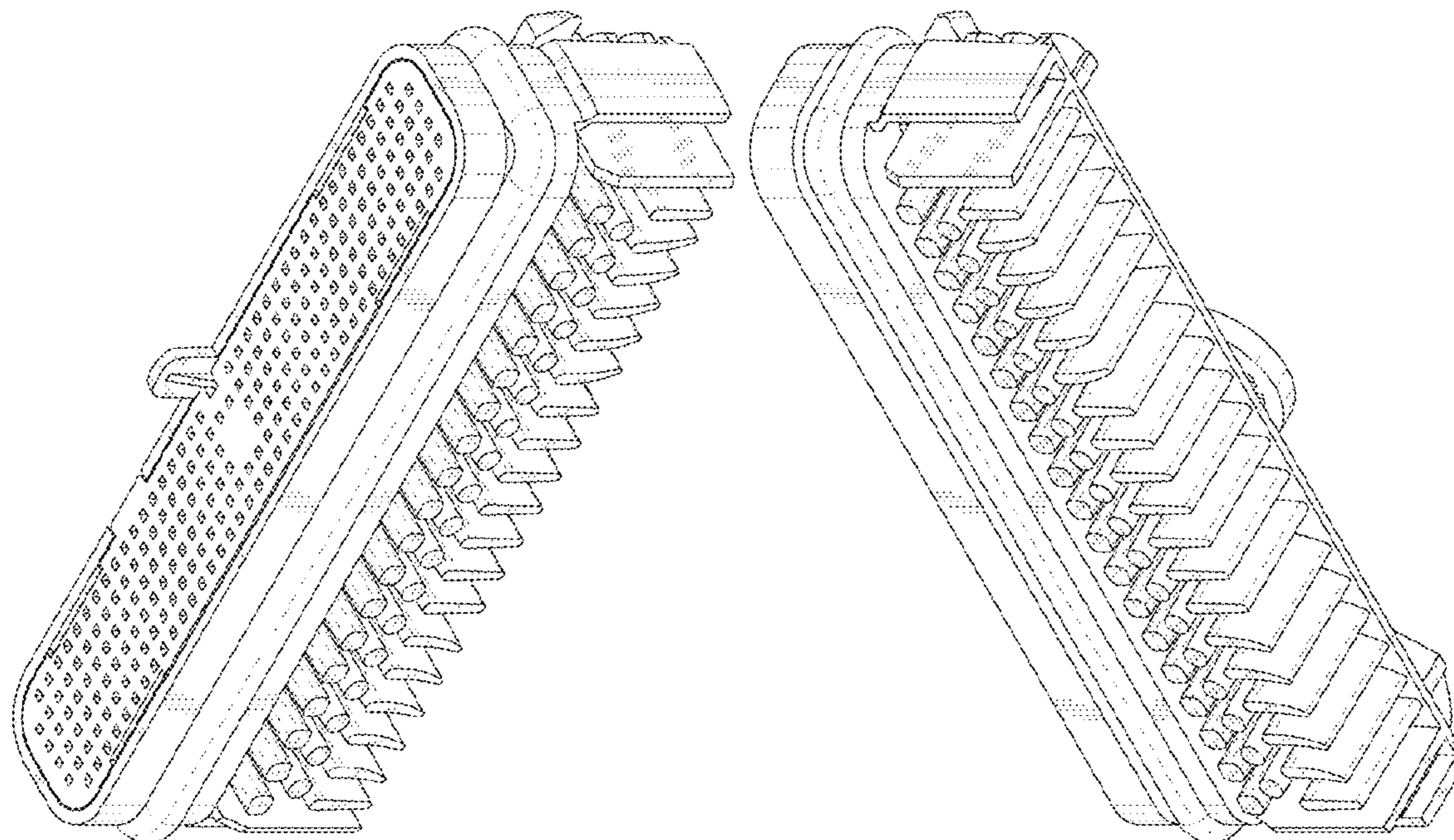
- 1. Aerator for taps
- 1.1 : Bottom
- 1.2 : Perspective
- 1.3 : Top
- 1.4: Alternate Perspective
- 1.5 : Left
- 1.6 : Right
- 1.7 : Front
- 1.8 : Back

(56) **References Cited**

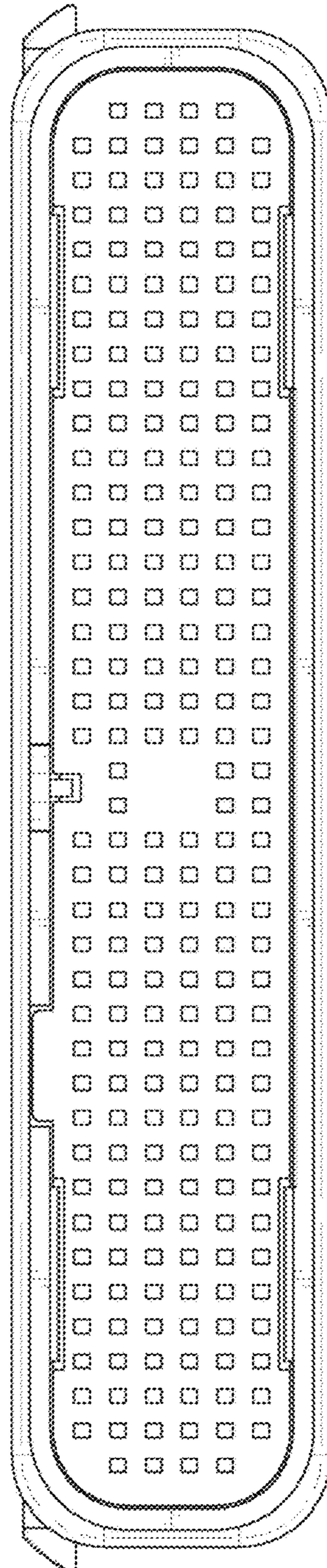
**U.S. PATENT DOCUMENTS**

D595,811 S \* 7/2009 Stadtler ..... E03C 1/08  
 D23/249

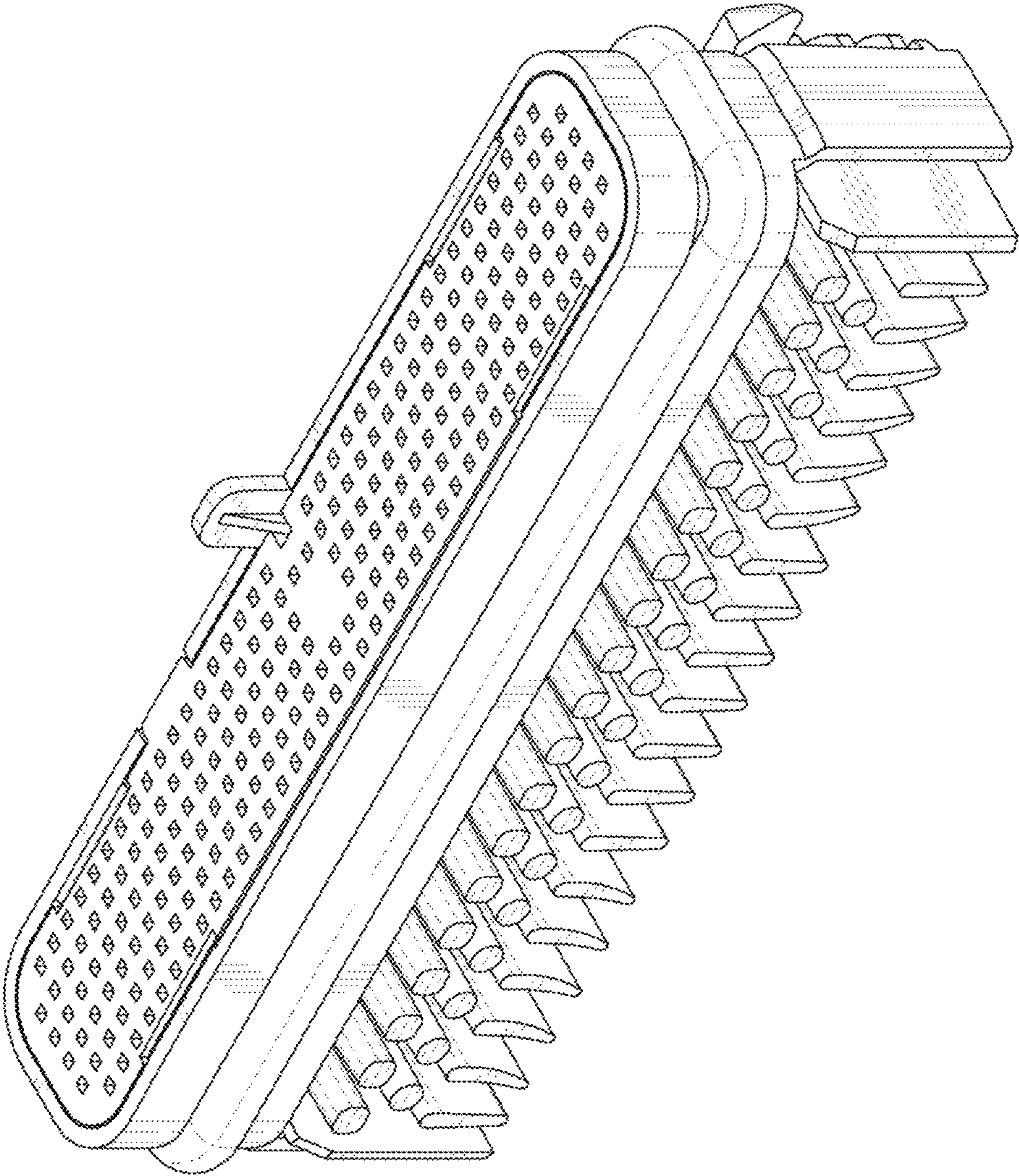
**1 Claim, 8 Drawing Sheets**



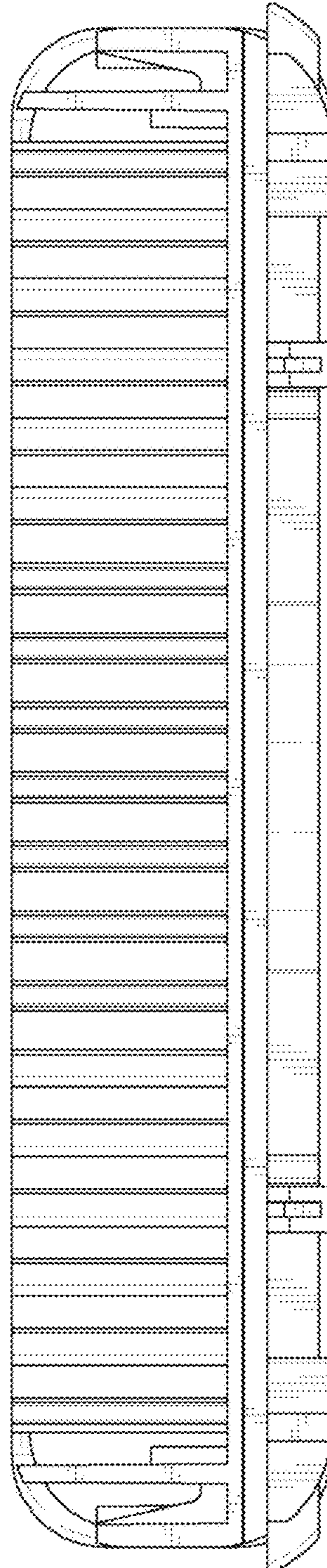
1.1



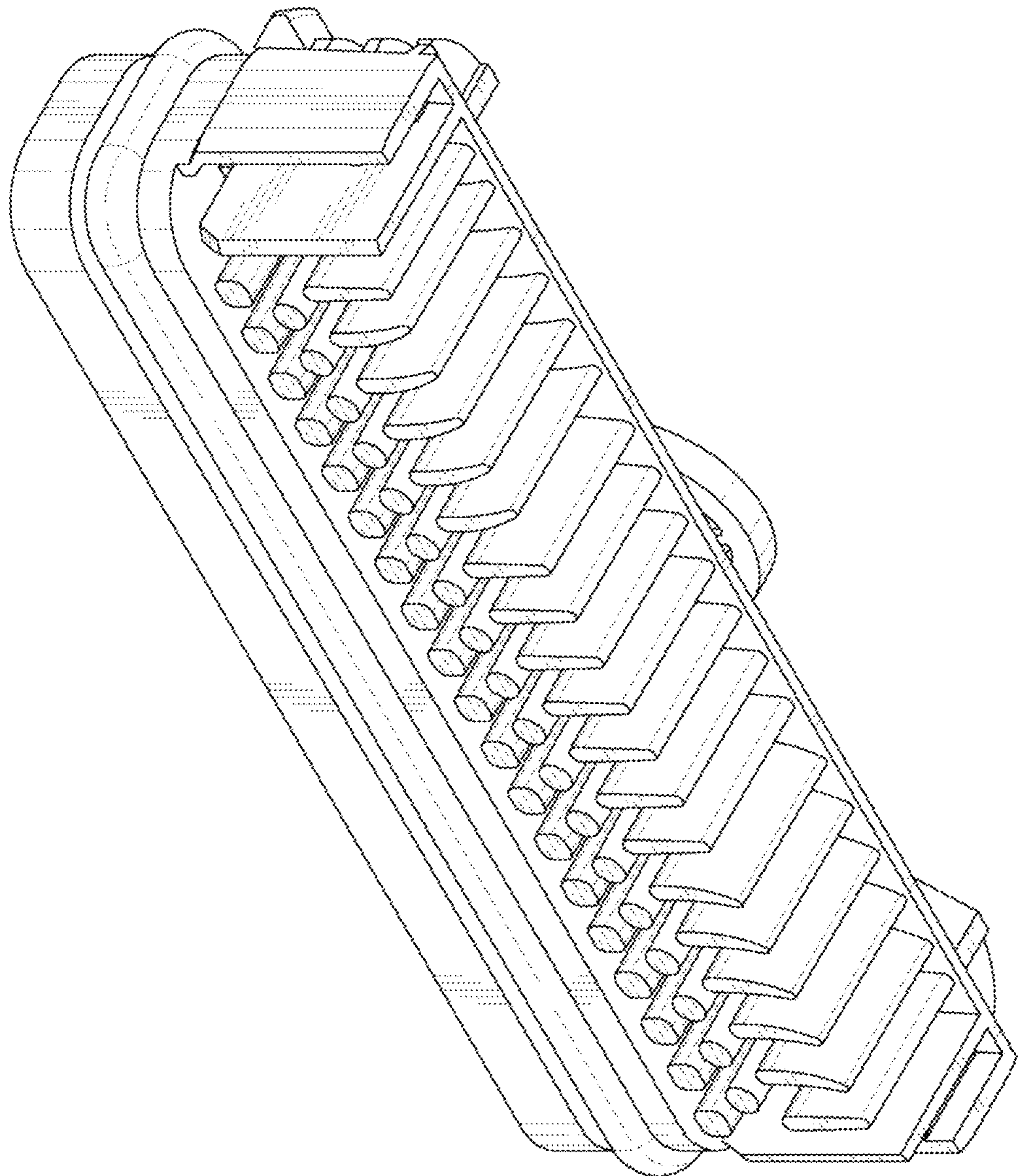
1.2



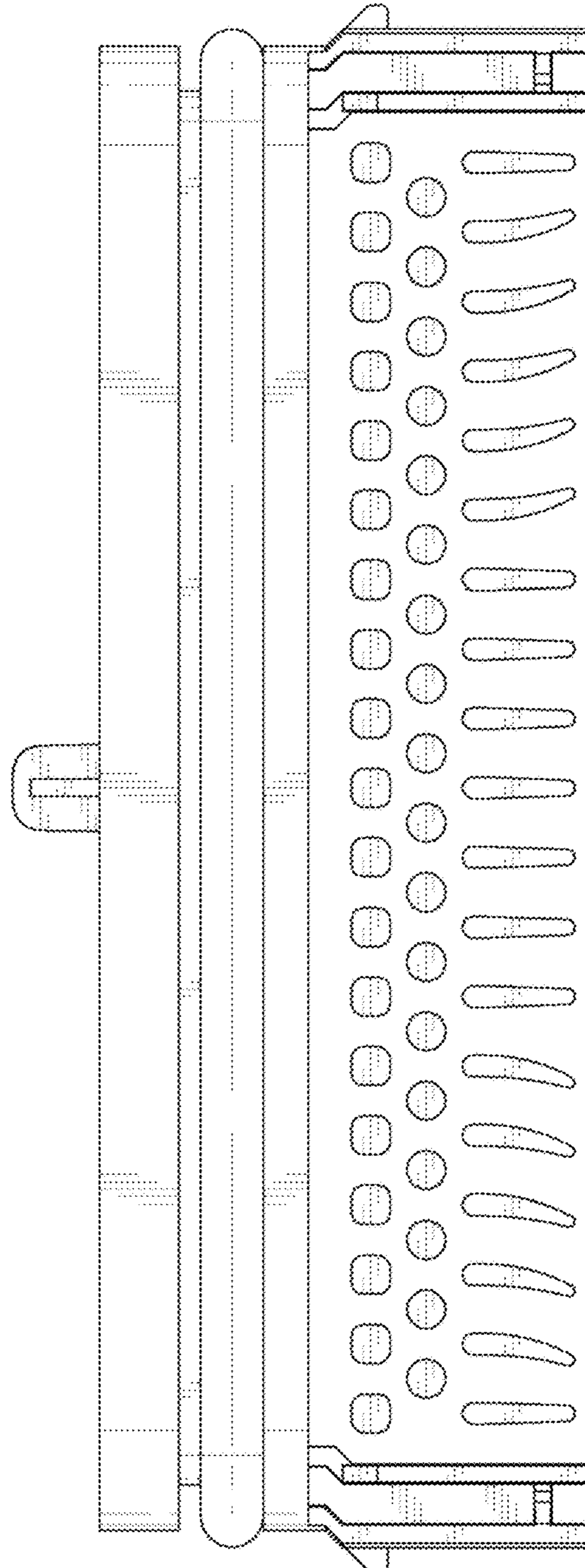
1.3



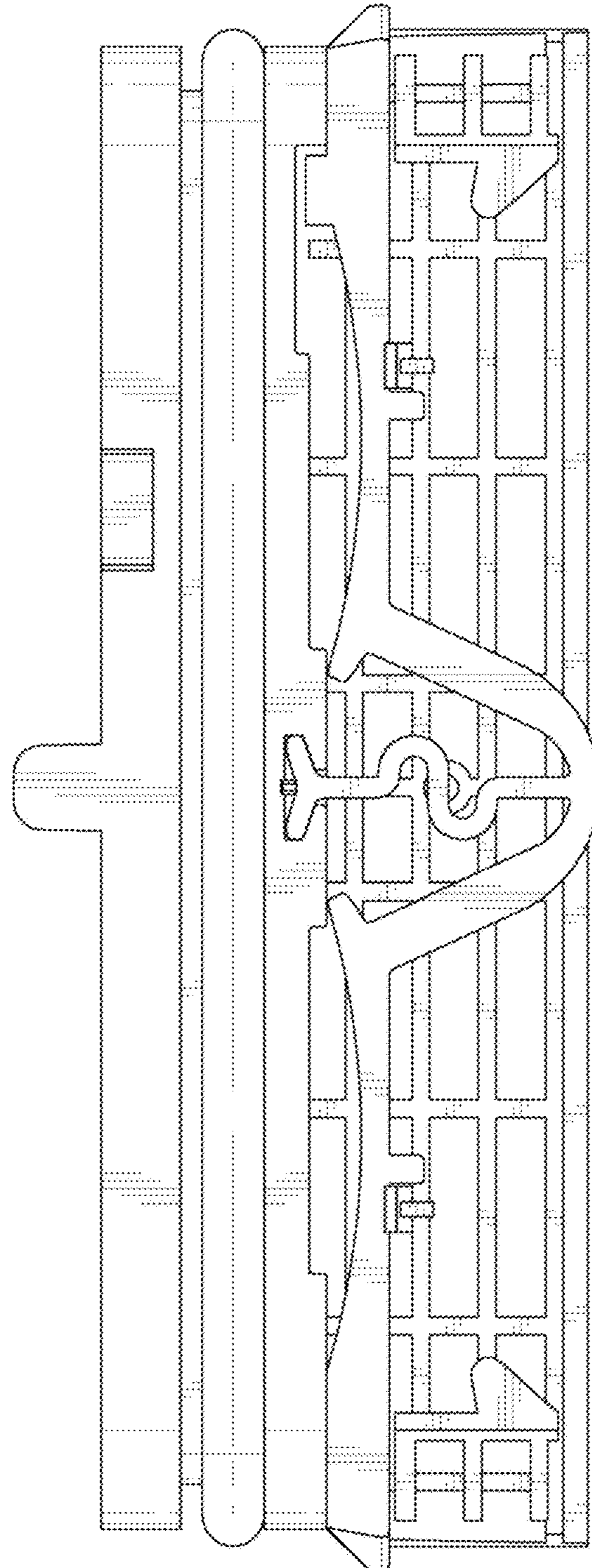
1.4



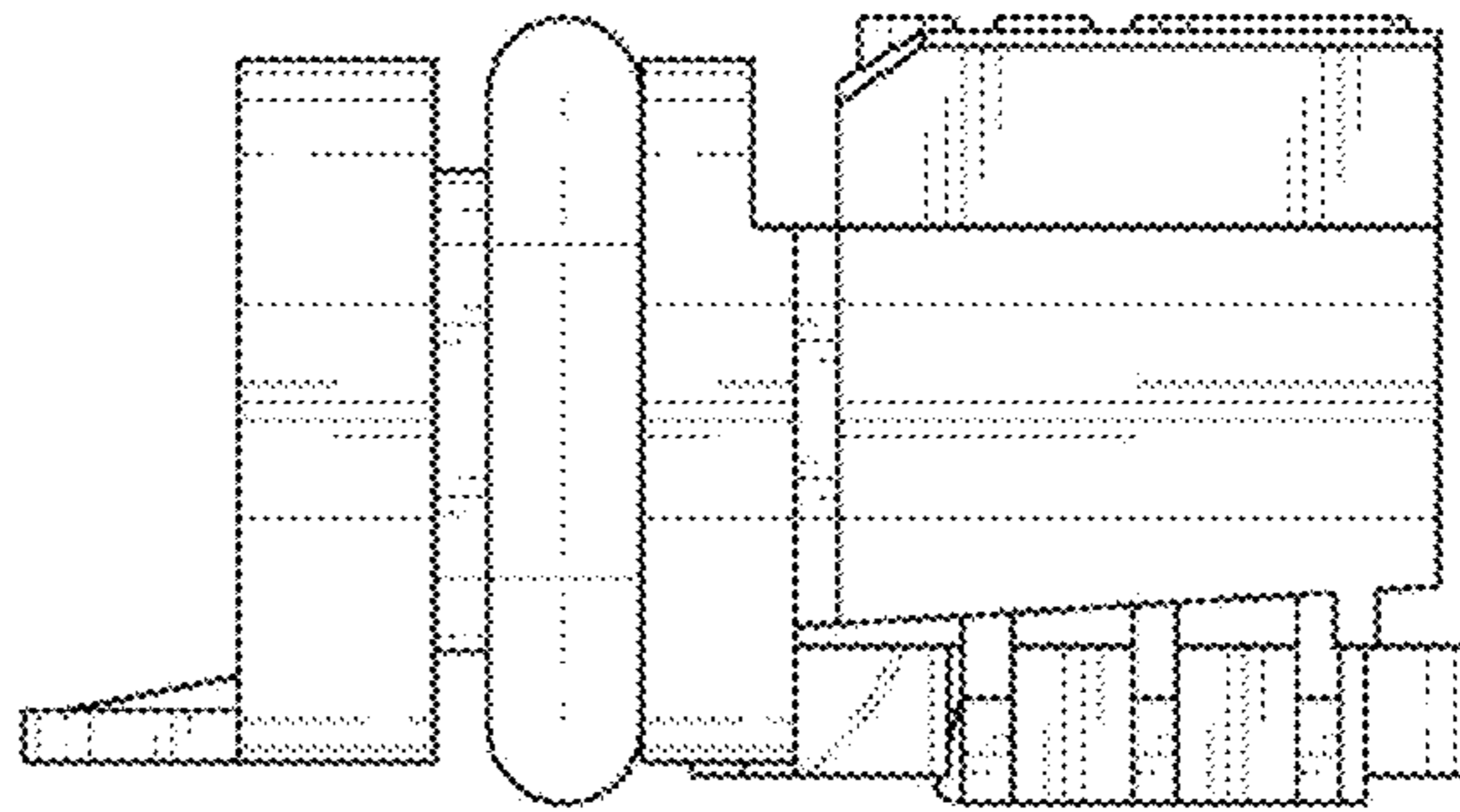
1.5



1.6



1.7





1.8

