



US00D921153S

(12) **United States Design Patent**
Zhang

(10) **Patent No.:** **US D921,153 S**
(45) **Date of Patent:** **** Jun. 1, 2021**

(54) **GAS CAN SPOUT**

(71) Applicant: **Torry Zhang**, Shanghai (CN)

(72) Inventor: **Torry Zhang**, Shanghai (CN)

(**) Term: **15 Years**

(21) Appl. No.: **29/756,184**

(22) Filed: **Oct. 27, 2020**

(51) **LOC (13) Cl.** **23-01**

(52) **U.S. Cl.**
USPC **D23/213**

(58) **Field of Classification Search**
USPC D23/211, 211.1, 211.2, 213, 223, 224,
D23/226, 231, 249, 255, 257, 260, 262,
D23/263, 266; D3/435, 447
CPC ... B67D 5/37; B67D 7/50; F16L 37/00; F16L
37/46; F17C 13/12; F17C 2205/0376
See application file for complete search history.

(56) **References Cited**

U.S. PATENT DOCUMENTS

D209,871 S *	1/1968	Grebow	D9/447
D278,981 S *	5/1985	Biermann	D9/447
D298,015 S *	10/1988	Gendron	D9/447
D310,172 S *	8/1990	Parker	D7/700
D667,530 S *	9/2012	Wyne	23/213

D672,239 S *	12/2012	Barksdale	D9/447
D691,709 S *	10/2013	Franzino	23/266
D698,415 S *	1/2014	Wyne	23/213
D699,320 S *	2/2014	Wyne	23/213
D715,644 S	10/2014	Drozd		
D776,534 S *	1/2017	Stratton	B65D 47/06 D9/446
2016/0060005 A1 *	3/2016	Dodia	B65D 47/06 222/478

* cited by examiner

Primary Examiner — Keli L Hill

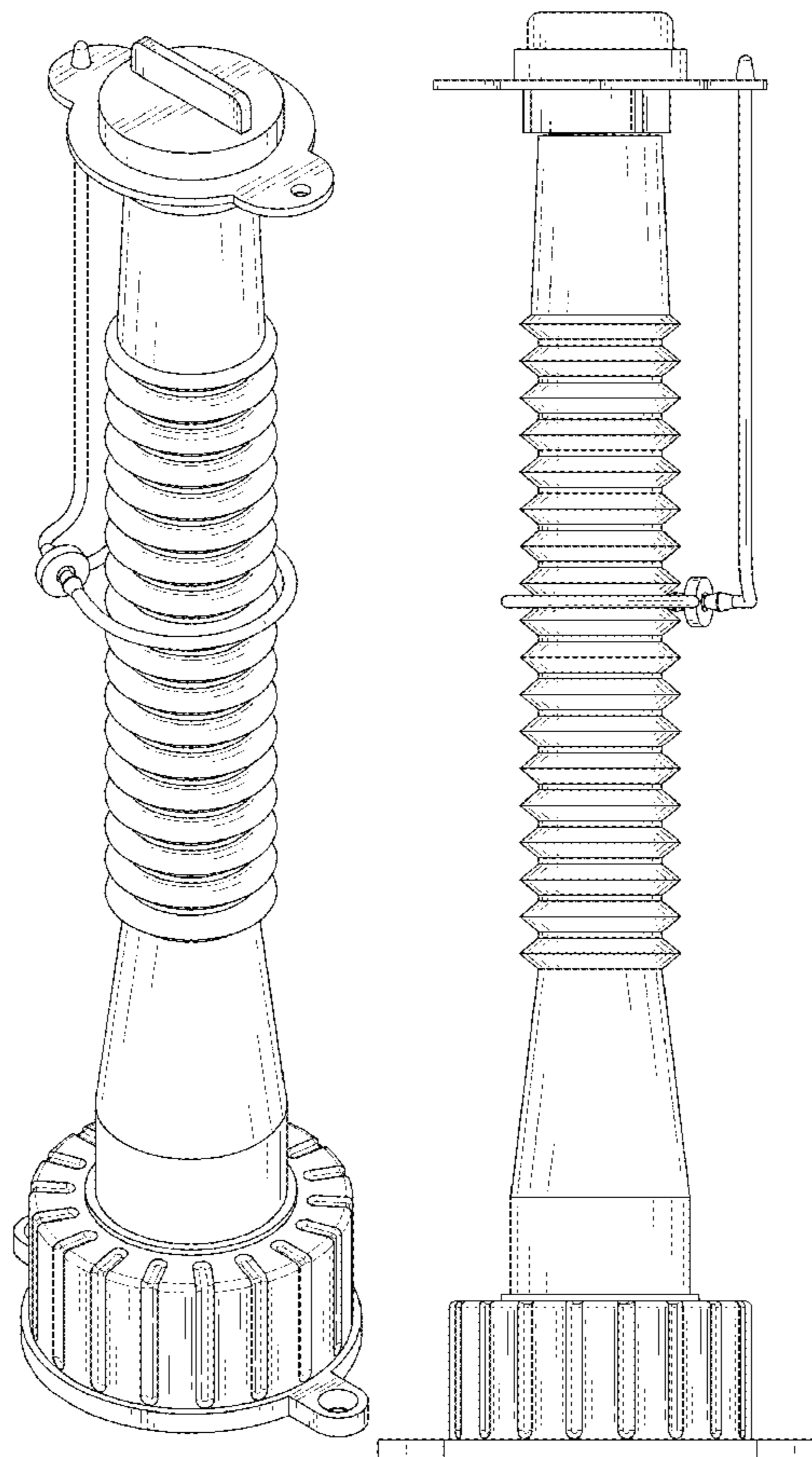
(57) **CLAIM**

The ornamental design for a gas can spout, as shown and described.

DESCRIPTION

FIG. 1 is a front and top perspective view of a gas can spout, showing my new design;
FIG. 2 is a rear and bottom perspective view thereof;
FIG. 3 is a front elevational view thereof;
FIG. 4 is a rear elevational view thereof;
FIG. 5 is a left side elevational view thereof;
FIG. 6 is a right side elevational view thereof;
FIG. 7 is a top plan view thereof; and,
FIG. 8 is a bottom plan view thereof.
The broken lines in the figures illustrate portions of the article that form no part of the claimed design.

1 Claim, 8 Drawing Sheets



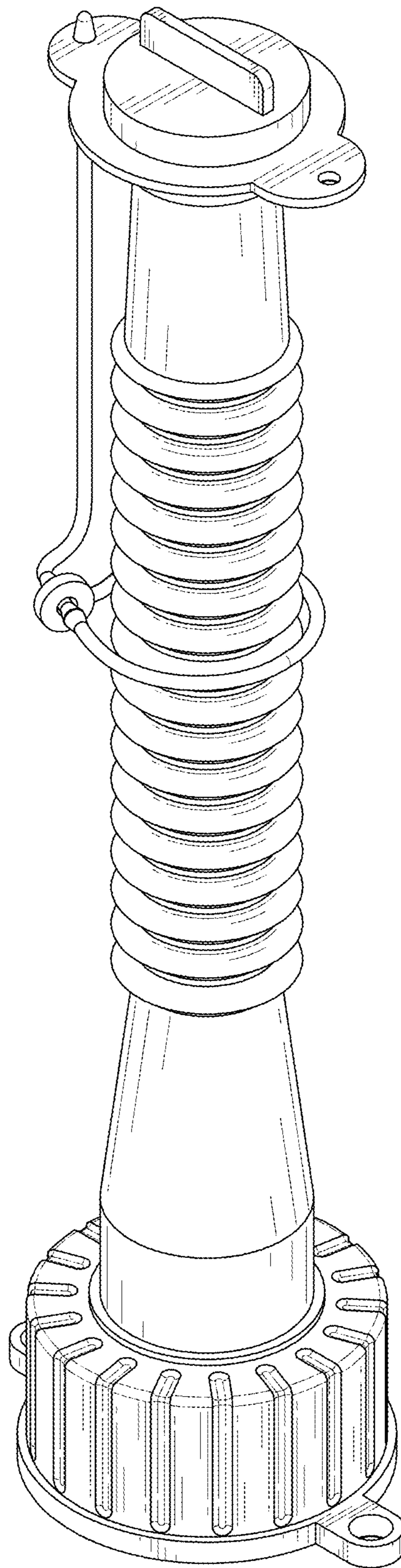


FIG. 1

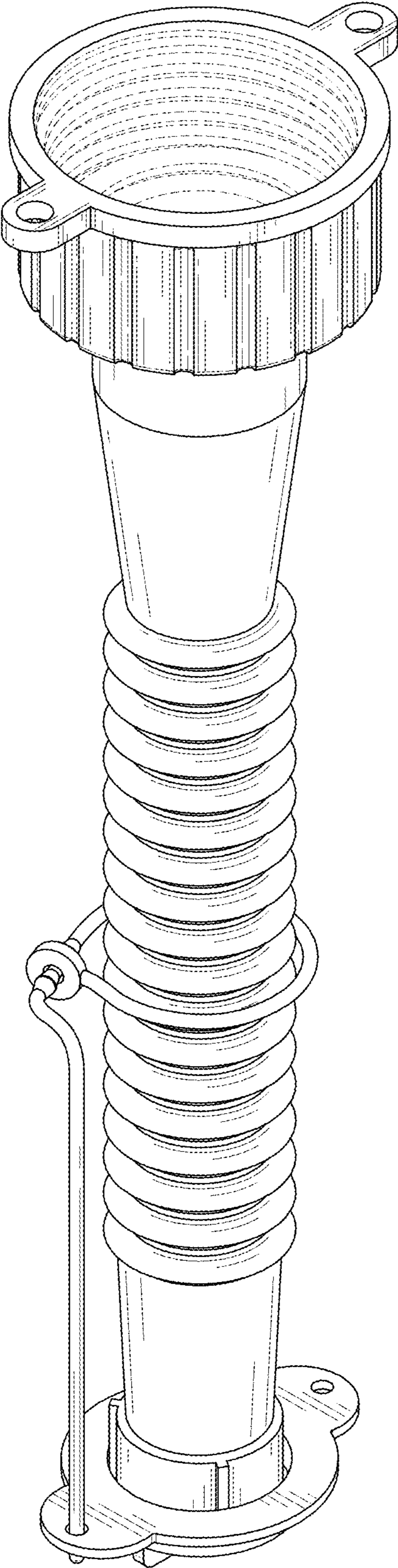


FIG. 2

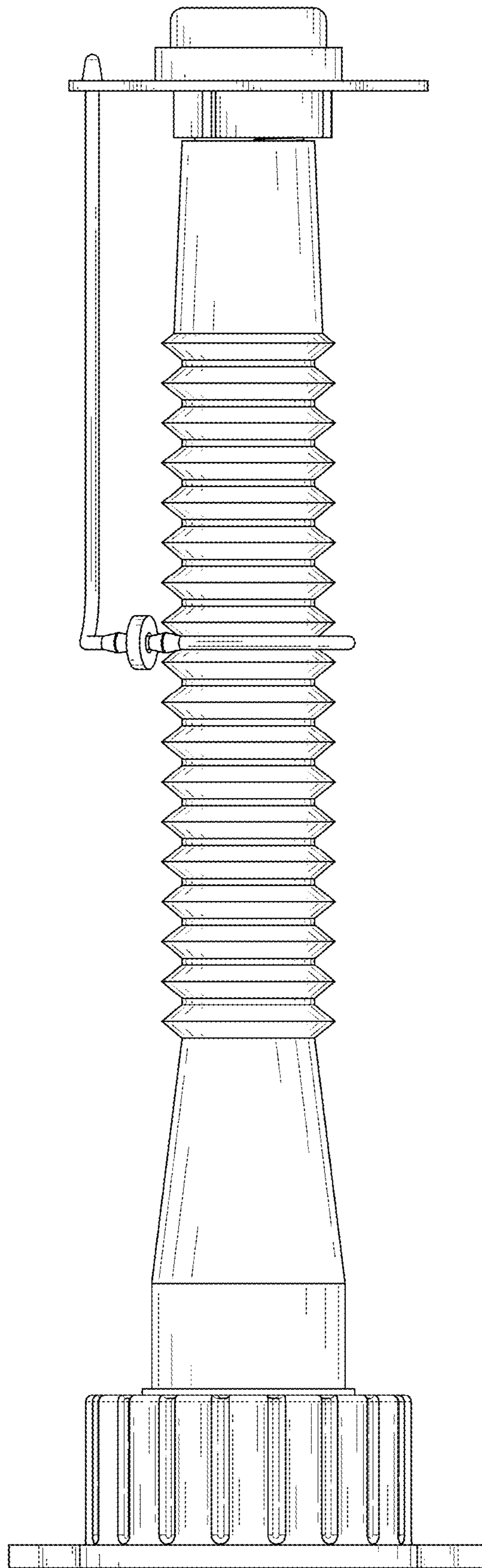


FIG. 3

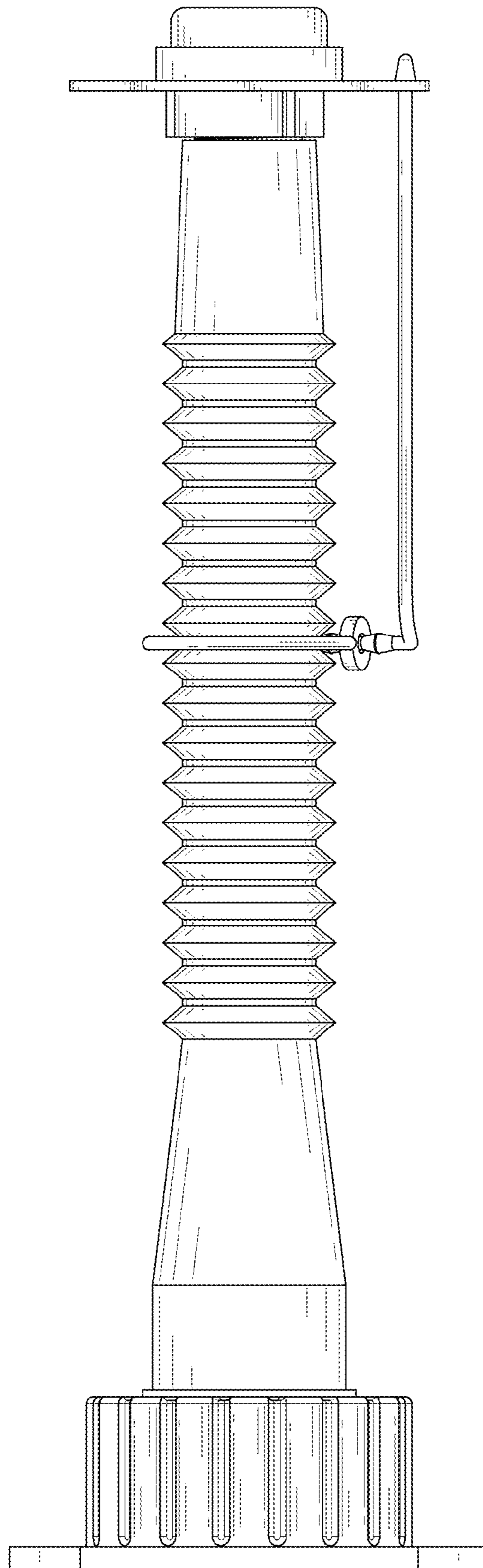


FIG. 4

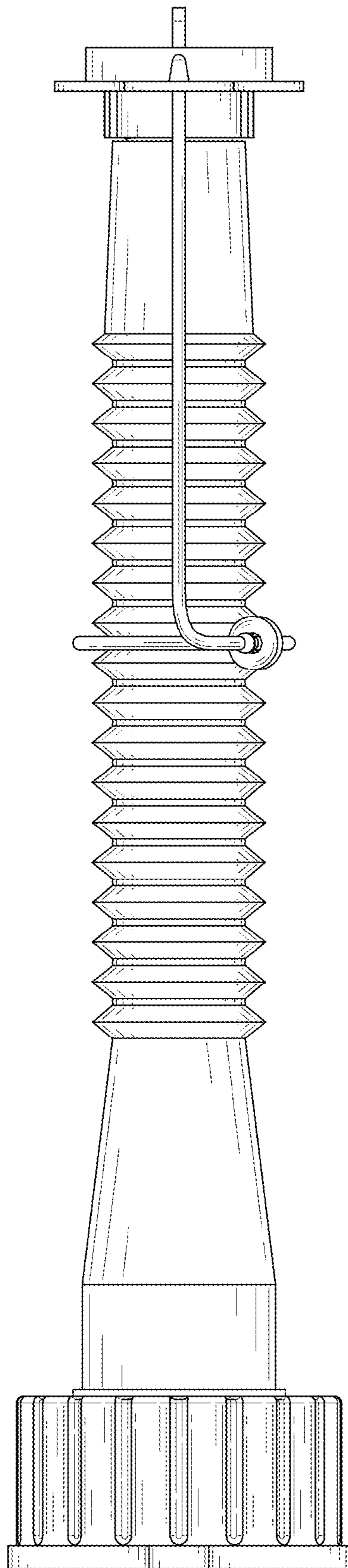


FIG. 5

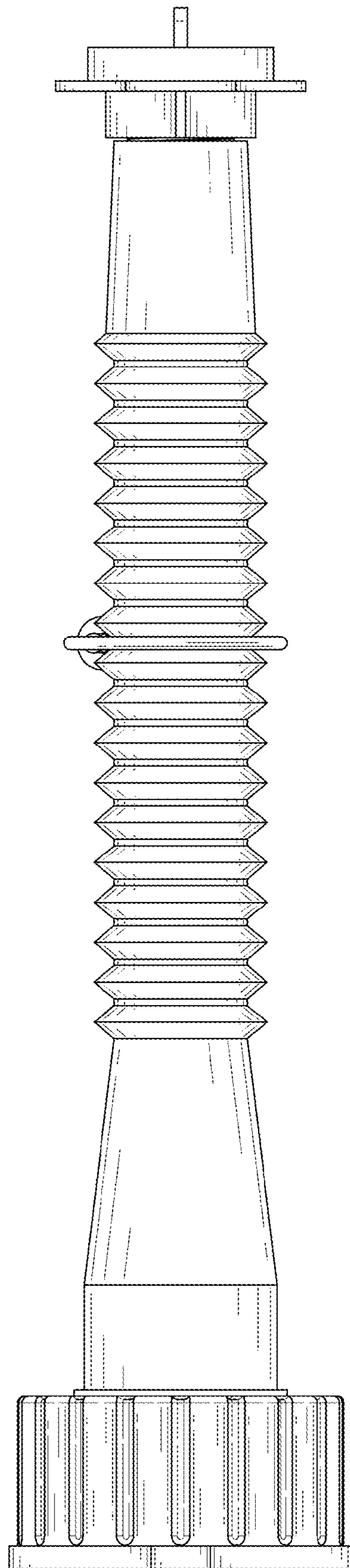


FIG. 6

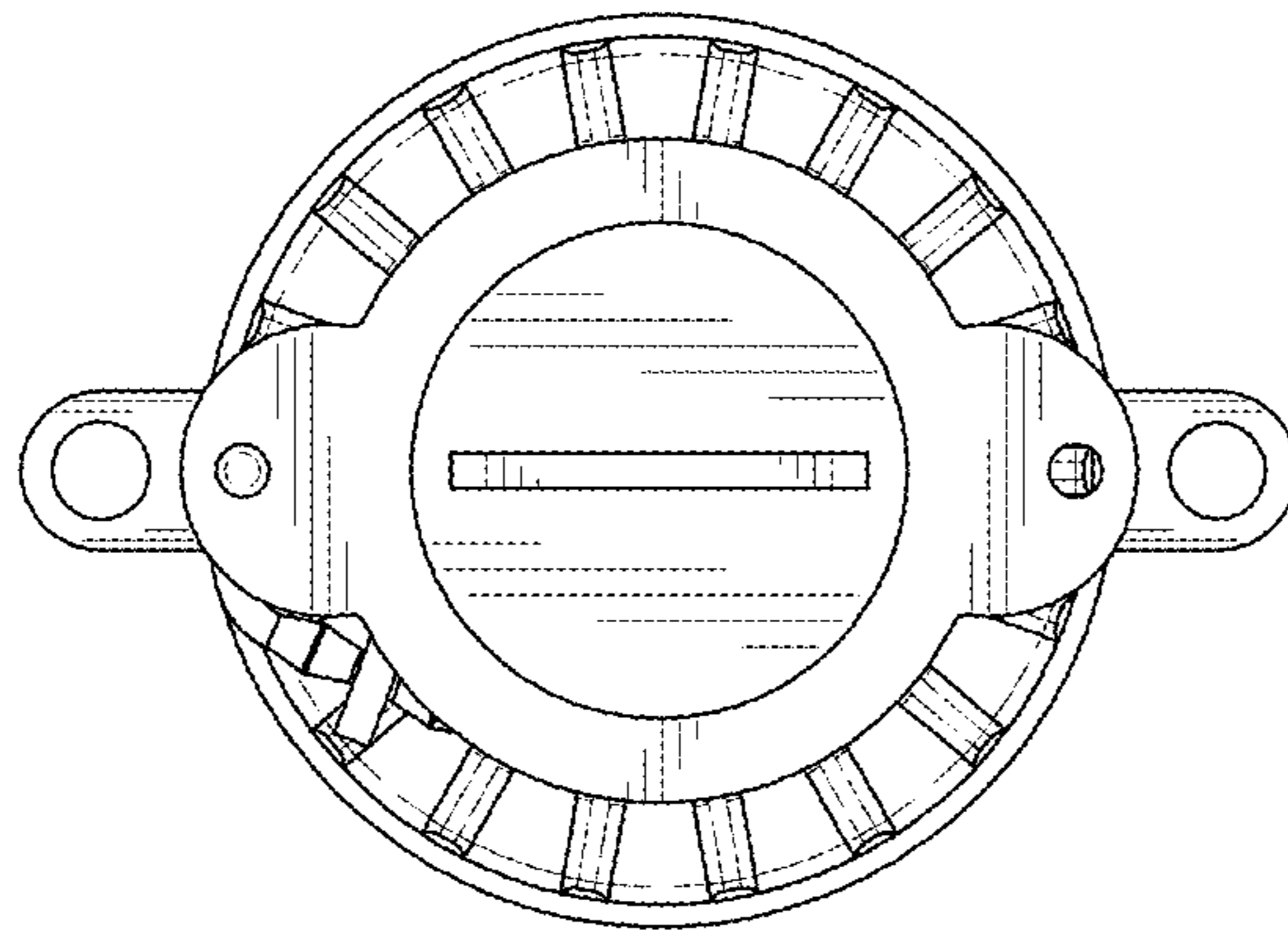


FIG. 7

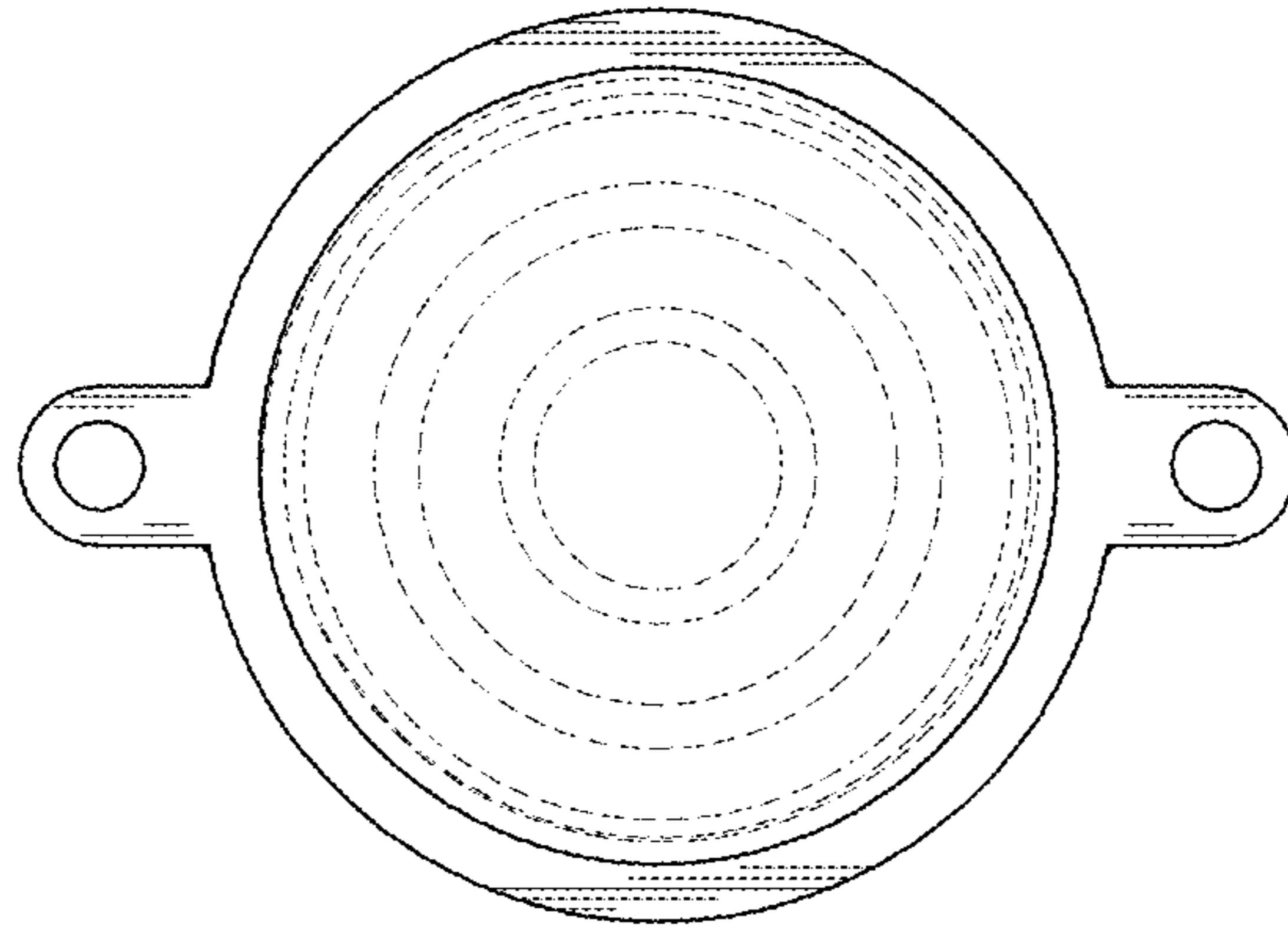


FIG. 8