



US00D921152S

(12) **United States Design Patent**
Blum

(10) **Patent No.:** **US D921,152 S**
(45) **Date of Patent:** **** Jun. 1, 2021**

- (54) **FAUCET STREAM STRAIGHTENER**
- (71) Applicant: **Neoperl GmbH**, Mullheim (DE)
- (72) Inventor: **Gerhard Blum**, Gutach (DE)
- (73) Assignee: **Neoperl GmbH**, Müllheim (DE)
- (**) Term: **15 Years**
- (21) Appl. No.: **29/679,951**
- (22) Filed: **Feb. 12, 2019**

D612,911 S *	3/2010	Grether	D23/249
7,677,473 B2 *	3/2010	Kao	E03C 1/084
				239/428.5
D641,071 S *	7/2011	Grether	D23/249
D641,839 S *	7/2011	Grether	D23/249
D674,877 S *	1/2013	Jones	D23/213
D676,525 S *	2/2013	Jones	D23/213
D692,526 S *	10/2013	Stein	D23/213
D693,427 S *	11/2013	Jones	D23/213
2007/0196177 A1 *	8/2007	Tasi	E03C 1/084
				405/79
2011/0006132 A1 *	1/2011	Grether	E03C 1/084
				239/428.5
2011/0266369 A1 *	11/2011	Grether	E03C 1/084
				239/428.5
2011/0303309 A1 *	12/2011	Prenzler	E03C 1/08
				137/551
2016/0273199 A1 *	9/2016	Blum	E03C 1/08

Related U.S. Application Data

- (62) Division of application No. 29/610,288, filed on Jul. 11, 2017, now Pat. No. Des. 844,747, which is a division of application No. 35/500,443, filed on Sep. 30, 2015 (U.S. filing date under 35 U.S.C. 384), and having an international filing date of Sep. 30, 2015, now abandoned.

- (51) **LOC (13) Cl.** **23-01**
- (52) **U.S. Cl.**
USPC **D23/213; D23/249**
- (58) **Field of Classification Search**
USPC D23/213, 229, 233, 235, 247-249
CPC E03C 1/08; E03C 1/084; E03C 2001/026;
B05B 1/14
See application file for complete search history.

(56) **References Cited**

U.S. PATENT DOCUMENTS

4,789,103 A *	12/1988	Ruhnke	E03C 1/084
				239/428.5
6,126,093 A *	10/2000	Grether	E03C 1/08
				239/428.5
6,892,964 B2 *	5/2005	Grether	E03C 1/08
				239/428.5
D550,818 S *	9/2007	Grether	D23/249

* cited by examiner

Primary Examiner — Darlington Ly

(74) *Attorney, Agent, or Firm* — Volpe Koenig

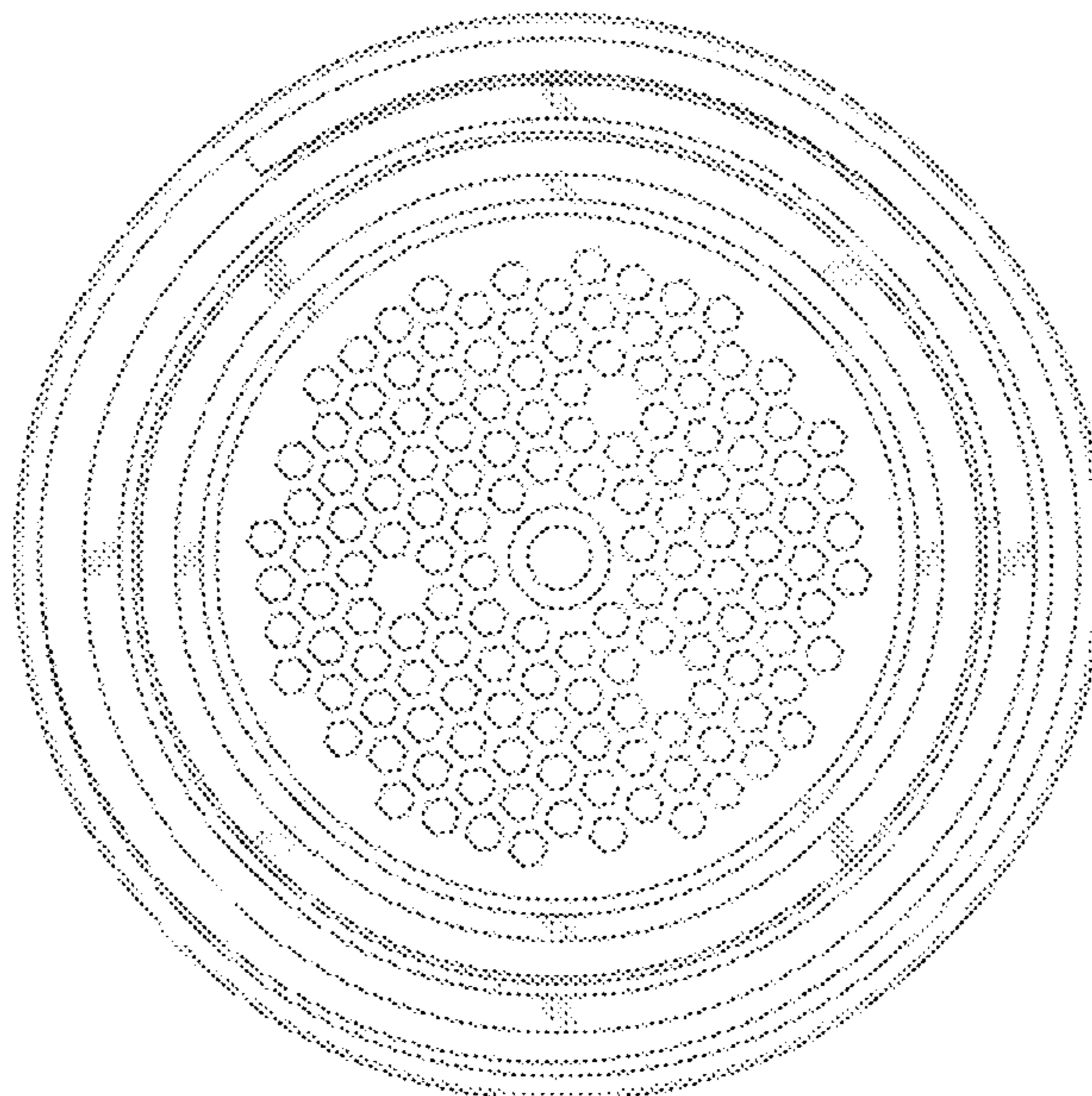
(57) **CLAIM**

I claim the ornamental design for a faucet stream straightener, as shown and described.

DESCRIPTION

FIG. 1 is a top plan view of a faucet stream straightener in accordance with my design;
 FIG. 2 is a top, front, perspective view thereof;
 FIG. 3 is a bottom plan view thereof;
 FIG. 4 is a bottom, rear perspective view thereof;
 FIG. 5 is a left side elevational view thereof;
 FIG. 6 is a front elevational view thereof;
 FIG. 7 is a rear elevational view thereof; and,
 FIG. 8 is a right side elevational view thereof.
 The broken lines represent portions of the faucet stream straightener that form no part of the claimed design.

1 Claim, 4 Drawing Sheets



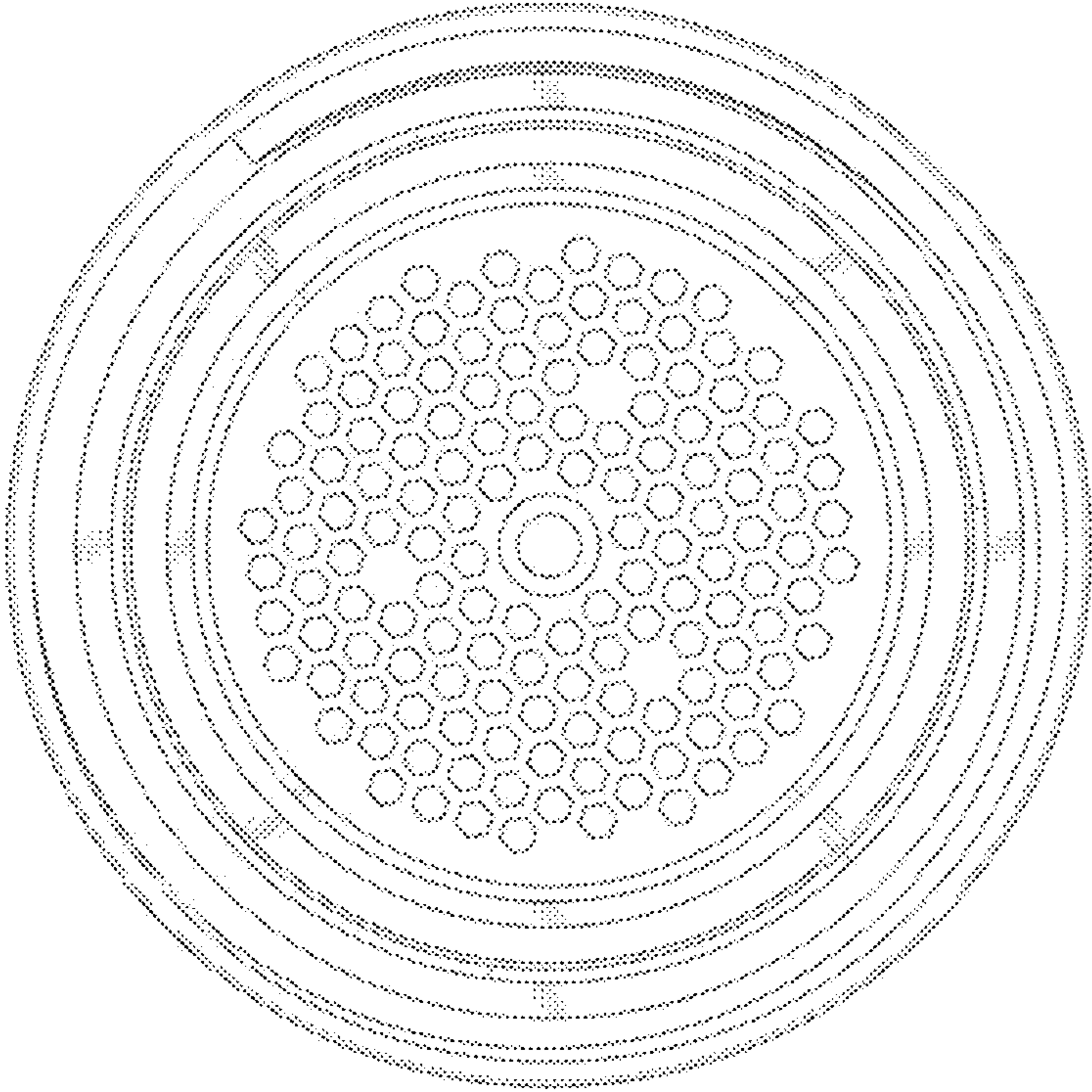


Fig. 1

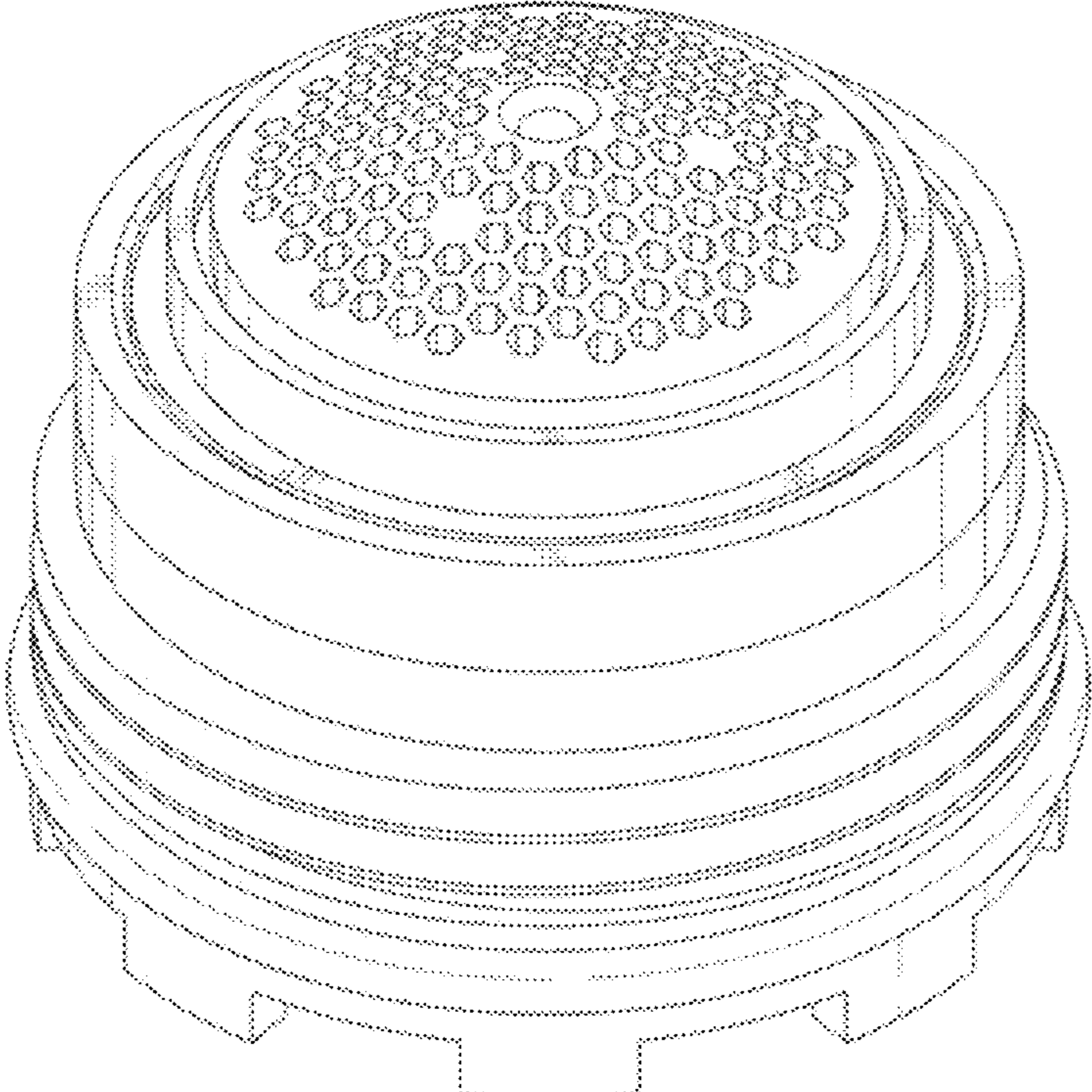


Fig. 2

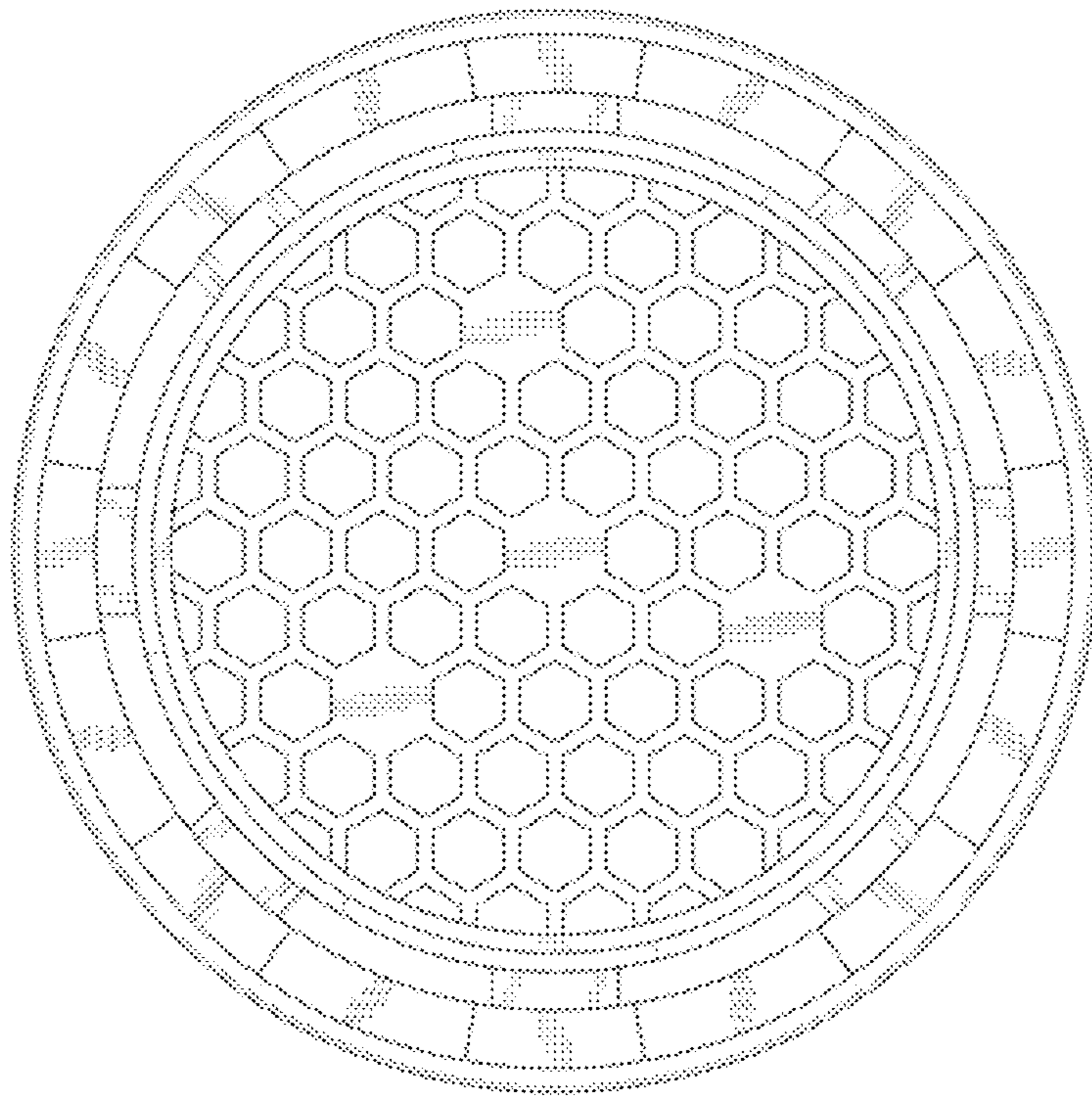


Fig. 3

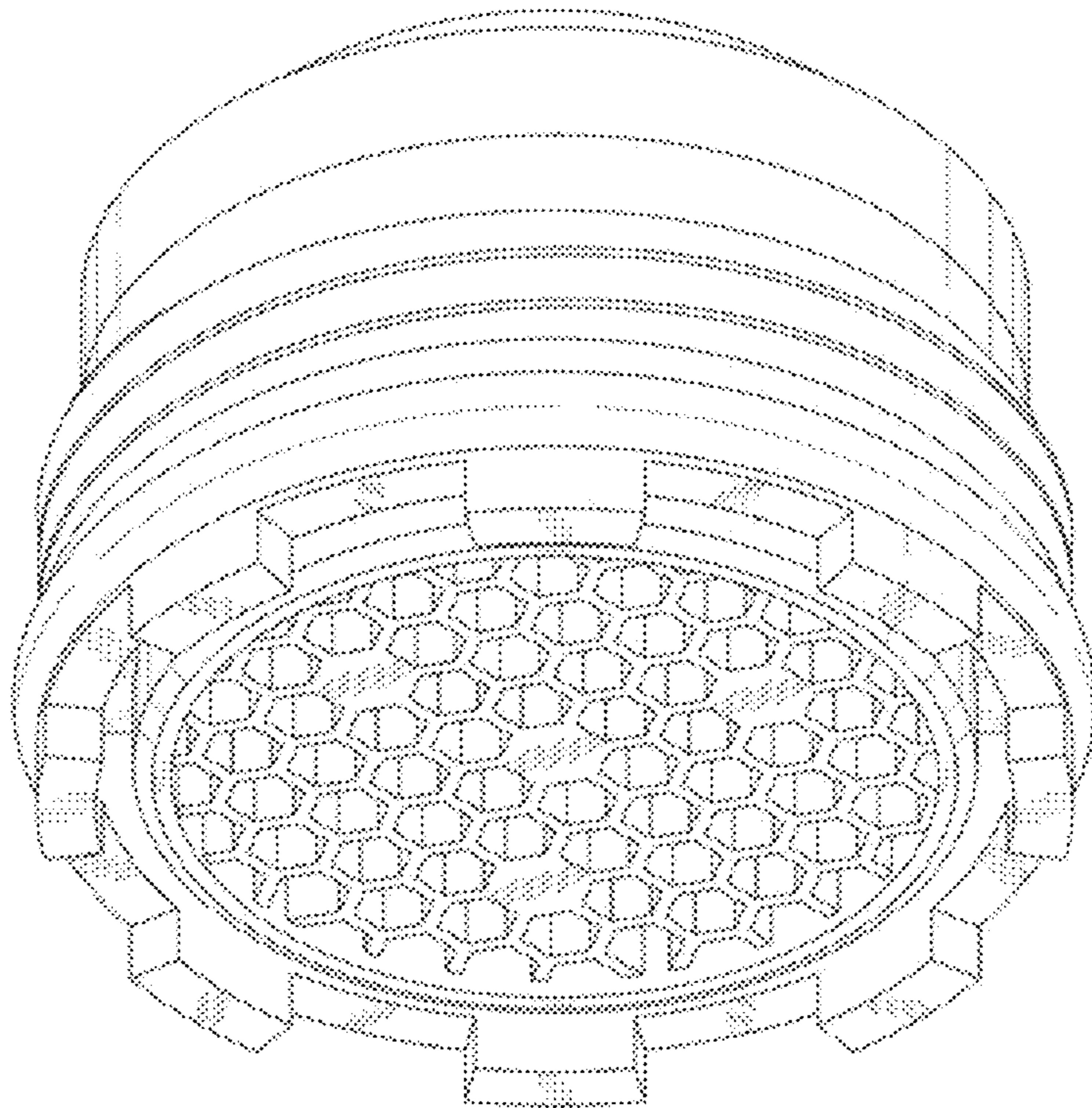


Fig. 4

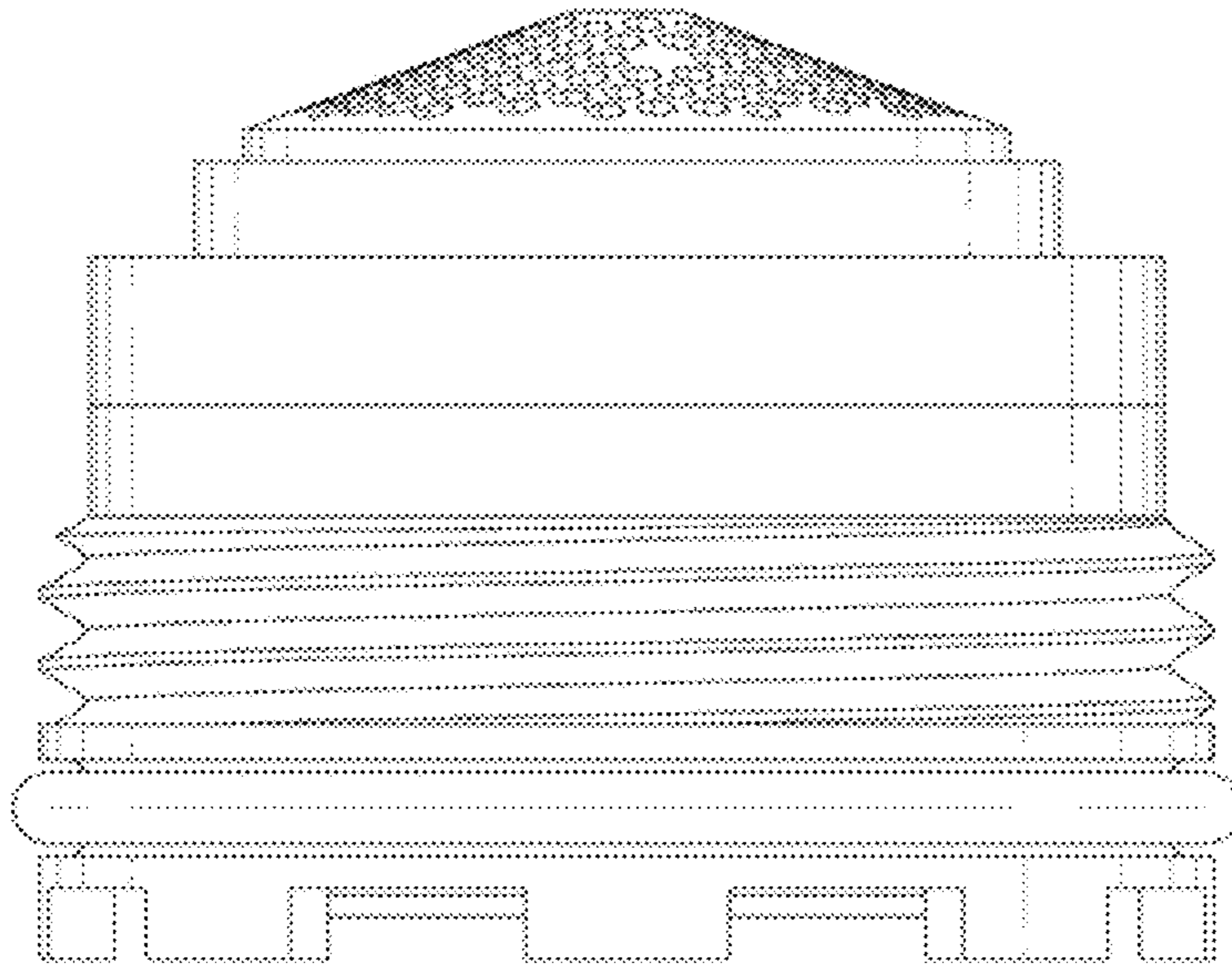


Fig. 5

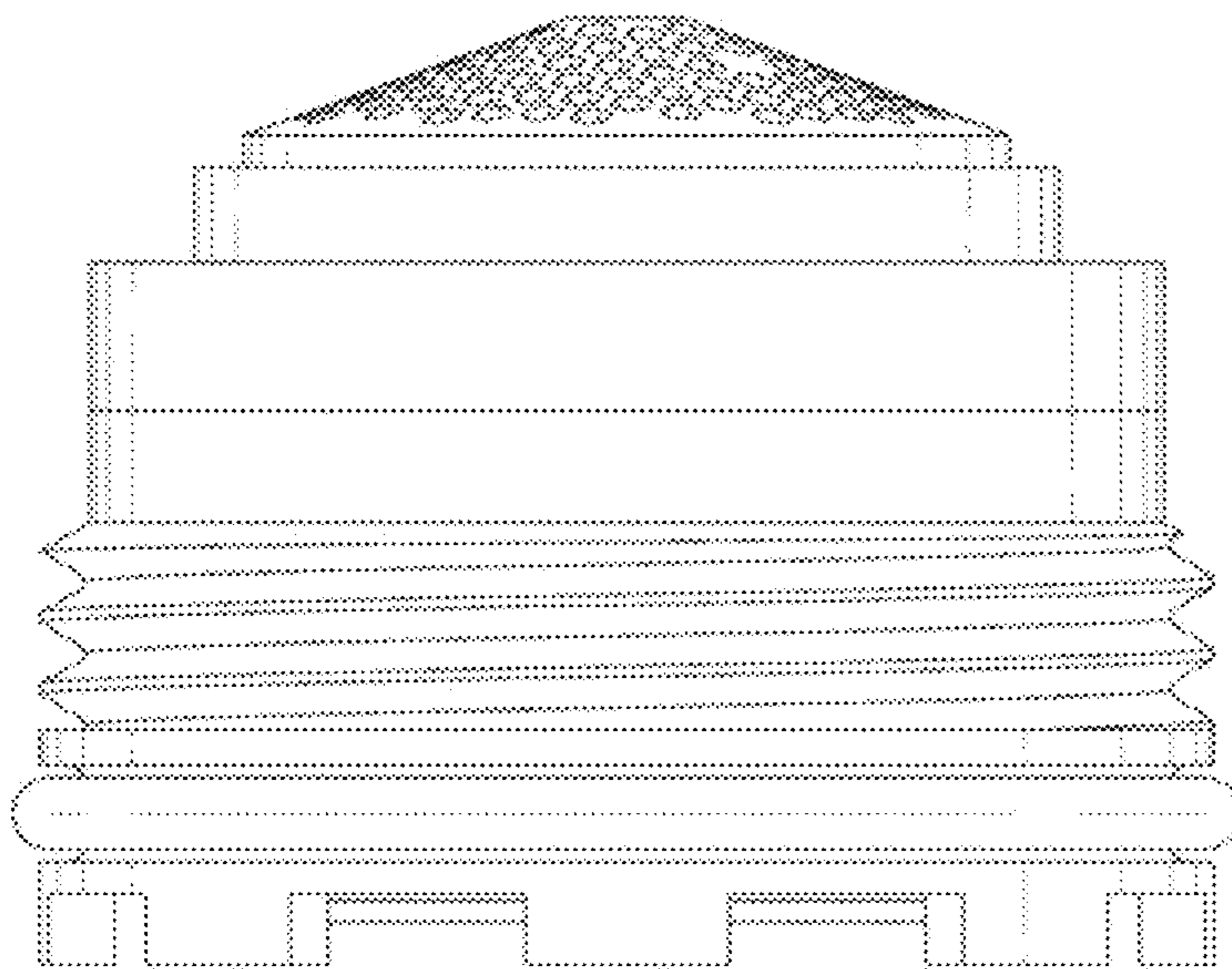


Fig. 6

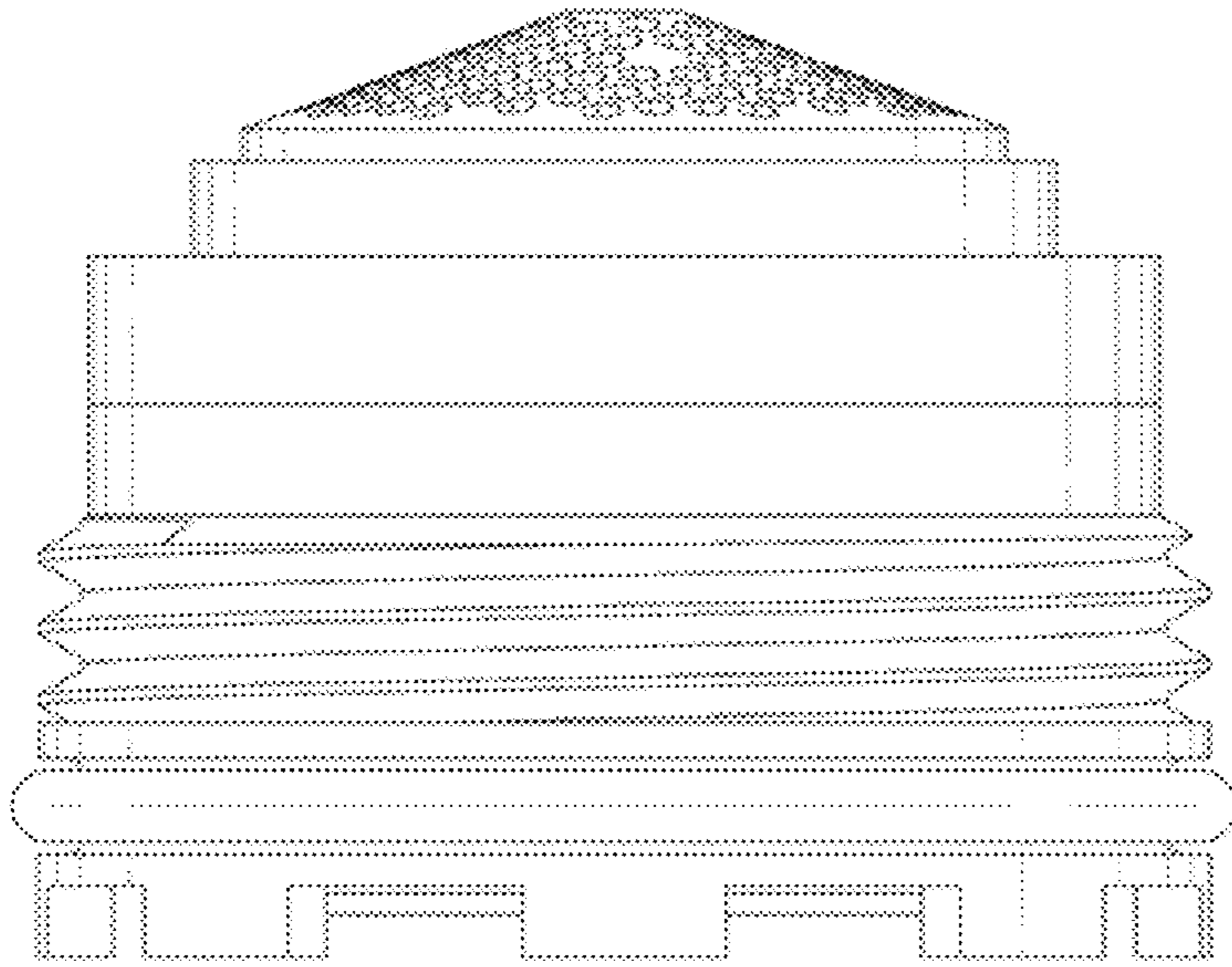


Fig. 7

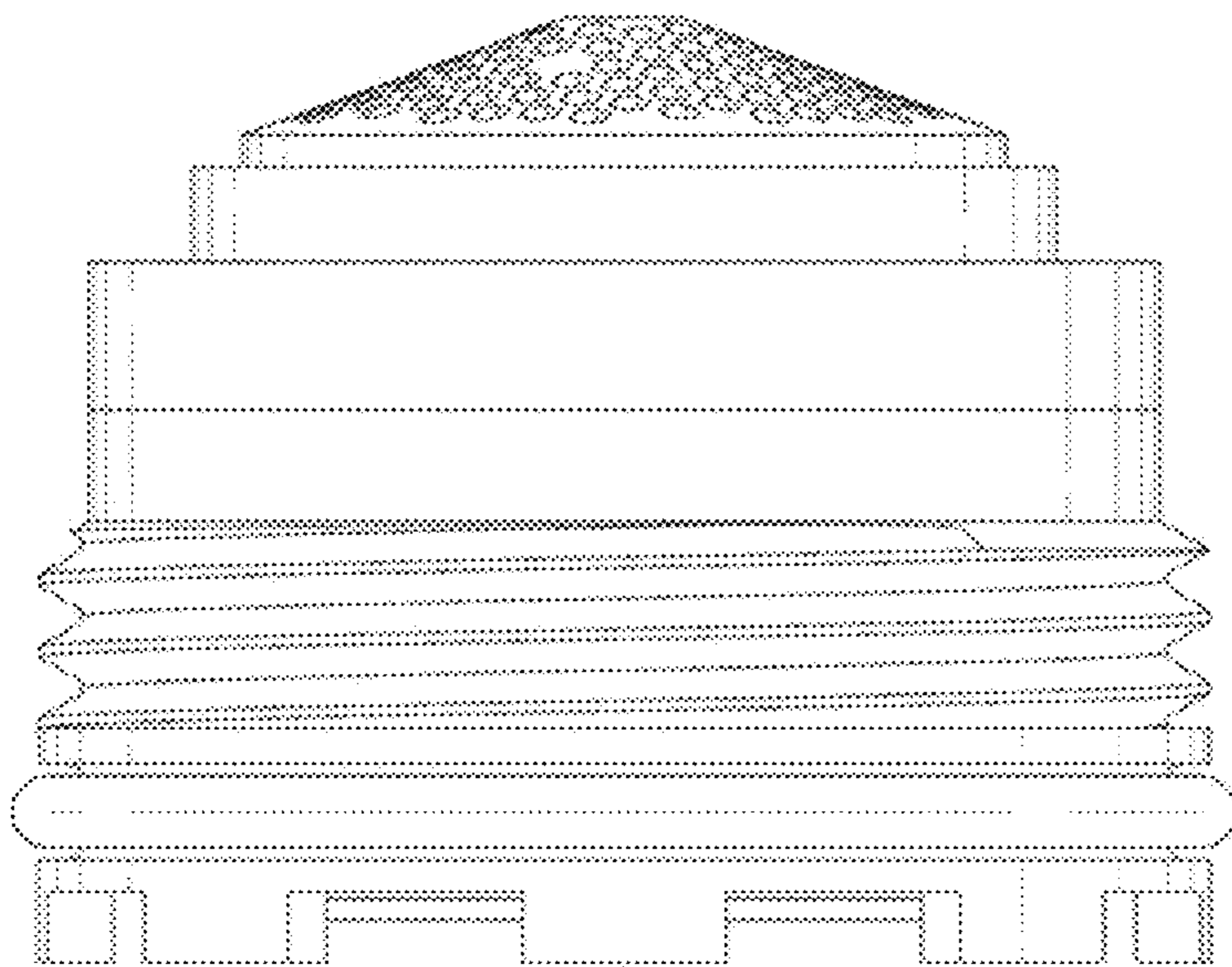


Fig. 8