



US00D921151S

(12) **United States Design Patent**
Cho et al.

(10) **Patent No.:** **US D921,151 S**
(45) **Date of Patent:** **** Jun. 1, 2021**

(54) **WATER PURIFIER**

(71) Applicant: **LG ELECTRONICS INC.**, Seoul (KR)

(72) Inventors: **Najung Cho**, Seoul (KR); **Sookyung Kang**, Seoul (KR); **Hyoungwon Roh**, Seoul (KR); **Kyukwan Choi**, Seoul (KR)

(73) Assignee: **LG ELECTRONICS INC.**, Seoul (KR)

(**) Term: **15 Years**

(21) Appl. No.: **29/664,834**

(22) Filed: **Sep. 28, 2018**

(30) **Foreign Application Priority Data**

Mar. 29, 2018 (KR) 30-2018-0014908

(51) **LOC (13) Cl.** **23-01**

(52) **U.S. Cl.**
USPC **D23/207**; D23/238

(58) **Field of Classification Search**
USPC D23/205, 206, 207, 209, 233, 235, 336, D23/365, 366, 238-243, 250, 255
CPC B01D 2201/29; B01D 2201/30; B01D 2201/301; B01D 2201/302; B01D 2201/306; B01D 2201/309; B01D 35/30; C02F 1/008; F16K 31/52475; B01J 49/85
See application file for complete search history.

(56) **References Cited**

U.S. PATENT DOCUMENTS

D278,200 S * 4/1985 Dahlberg D23/209
D289,076 S * 3/1987 Paul D23/238
D311,241 S * 10/1990 Strignano D23/241
D462,421 S * 9/2002 Hundley D23/252
D516,677 S * 3/2006 Haug D23/242
D526,388 S * 8/2006 Haug D23/238
D534,619 S * 1/2007 Garner D23/238

D557,383 S * 12/2007 Garner D23/255
D592,733 S * 5/2009 Lammel D23/255
D598,072 S * 8/2009 Zetsche D23/238

(Continued)

OTHER PUBLICATIONS

TheMajesticBath.com, Kohler Composed AC Touchless Bathroom Sink Faucet, undated online product page retrieved Jan. 2, 2021 from <URL:https://themajesticbath.com/Kohler-103C36-SANA-CP-Polished-Chrome-Meter-Faucet.HTM> (Year: 2021).*

Primary Examiner — Sheryl Lane

Assistant Examiner — Calvin E Vansant

(74) *Attorney, Agent, or Firm* — Birch, Stewart, Kolasch & Birch, LLP

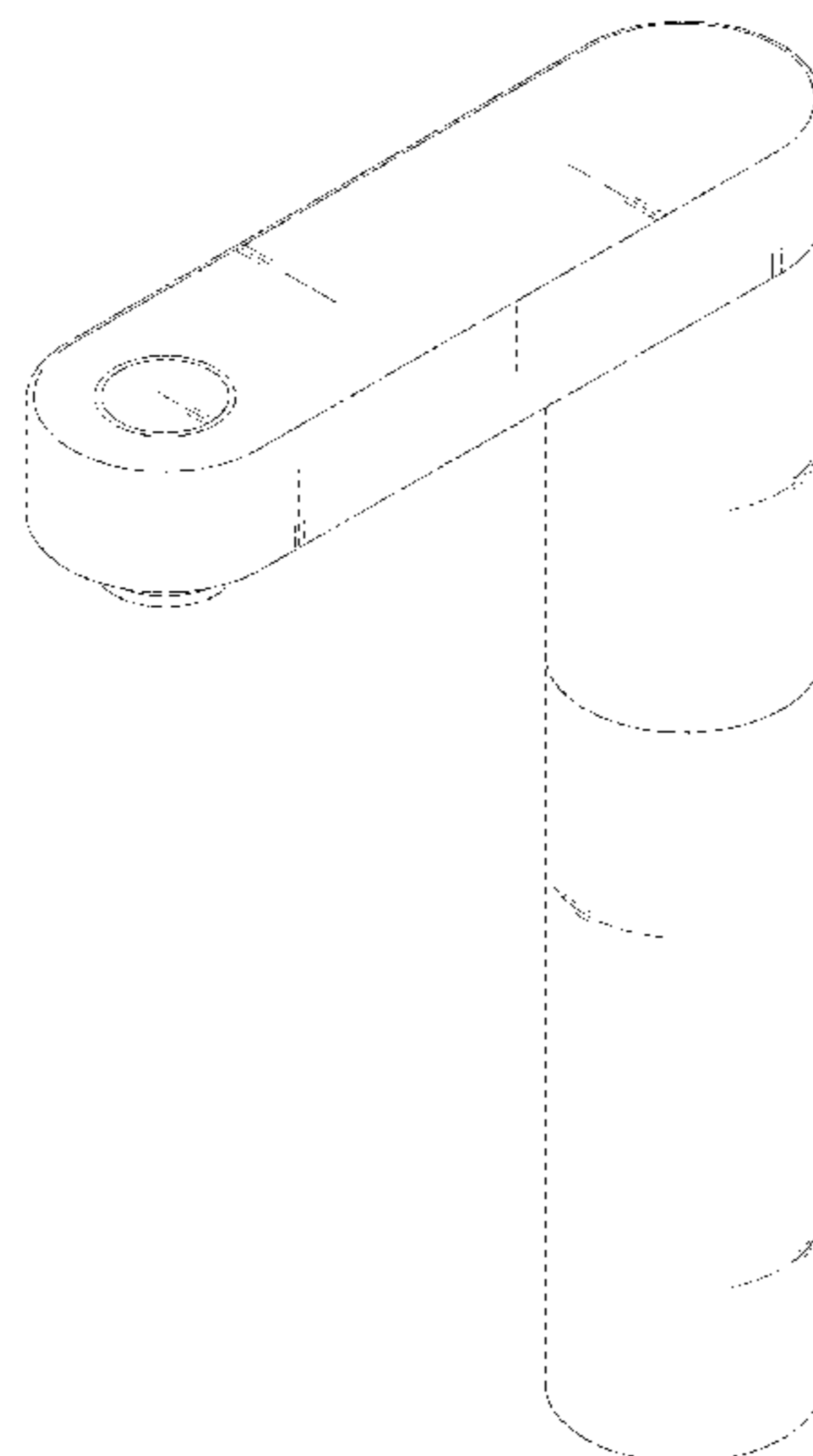
(57) **CLAIM**

The ornamental design for a water purifier, as shown and described.

DESCRIPTION

FIG. 1 is a front perspective view of a water purifier showing our new design;
FIG. 2 is a front view thereof;
FIG. 3 is a rear view thereof;
FIG. 4 is a left side view thereof where the right side view is a mirror image;
FIG. 5 is a top plan view thereof;
FIG. 6 is a bottom plan view thereof;
FIG. 7 is a reference view thereof showing an example of the usage of the subject design in which the claimed design installed at a sink; and,
FIG. 8 is a reference view thereof showing the upper control part is able to rotate 180 degrees and the touch type buttons have been operated.
In the drawing, the broken lines show environmental subject matter that forms no part of the claimed design. The dot-dash lines represent unclaimed boundaries and form no part of the claim.

1 Claim, 8 Drawing Sheets



(56)

References Cited

U.S. PATENT DOCUMENTS

D602,570 S * 10/2009 Lammel D23/242
 D603,481 S * 11/2009 Zetsche D23/242
 D605,256 S * 12/2009 Flowers D23/238
 D605,257 S * 12/2009 Flowers D23/238
 D608,863 S * 1/2010 Pan D23/255
 D634,405 S * 3/2011 Shieh D23/242
 D637,271 S * 5/2011 Lin D23/238
 D643,095 S * 8/2011 Matsuura D23/242
 D643,512 S * 8/2011 Matsuura D23/238
 D646,361 S * 10/2011 Flowers D23/250
 D660,637 S * 5/2012 Milewski D7/317
 D662,188 S * 6/2012 Thun D23/242
 D666,694 S * 9/2012 Kulig D23/238
 D683,421 S * 5/2013 Choi D23/207
 D683,422 S * 5/2013 Choi D23/207
 D689,987 S * 9/2013 Kington D23/238
 D691,704 S * 10/2013 Flowers D23/238

D714,426 S * 9/2014 Kulig D23/252
 D755,350 S * 5/2016 Rexach D23/238
 D761,387 S * 7/2016 Yabu D23/242
 D762,820 S * 8/2016 Schoenherr D23/238
 D767,731 S * 9/2016 Rexach D23/252
 D767,732 S * 9/2016 Rexach D23/255
 D787,560 S * 5/2017 Peterman D15/7
 D792,949 S * 7/2017 Lin D23/238
 D797,898 S * 9/2017 Bennett D23/255
 D799,644 S * 10/2017 Sieger D23/242
 D803,357 S * 11/2017 Lucchese D23/238
 D828,509 S * 9/2018 Seum D23/238
 D828,514 S * 9/2018 Ryu D23/238
 D837,949 S * 1/2019 Soulier D23/255
 D848,581 S * 5/2019 Fritz D23/255
 D862,650 S * 10/2019 Meyers D23/238
 D866,714 S * 11/2019 Yu D23/238
 D868,213 S * 11/2019 Hoogendoorn D23/238
 D897,502 S * 9/2020 Kang D23/255

* cited by examiner

FIG. 1

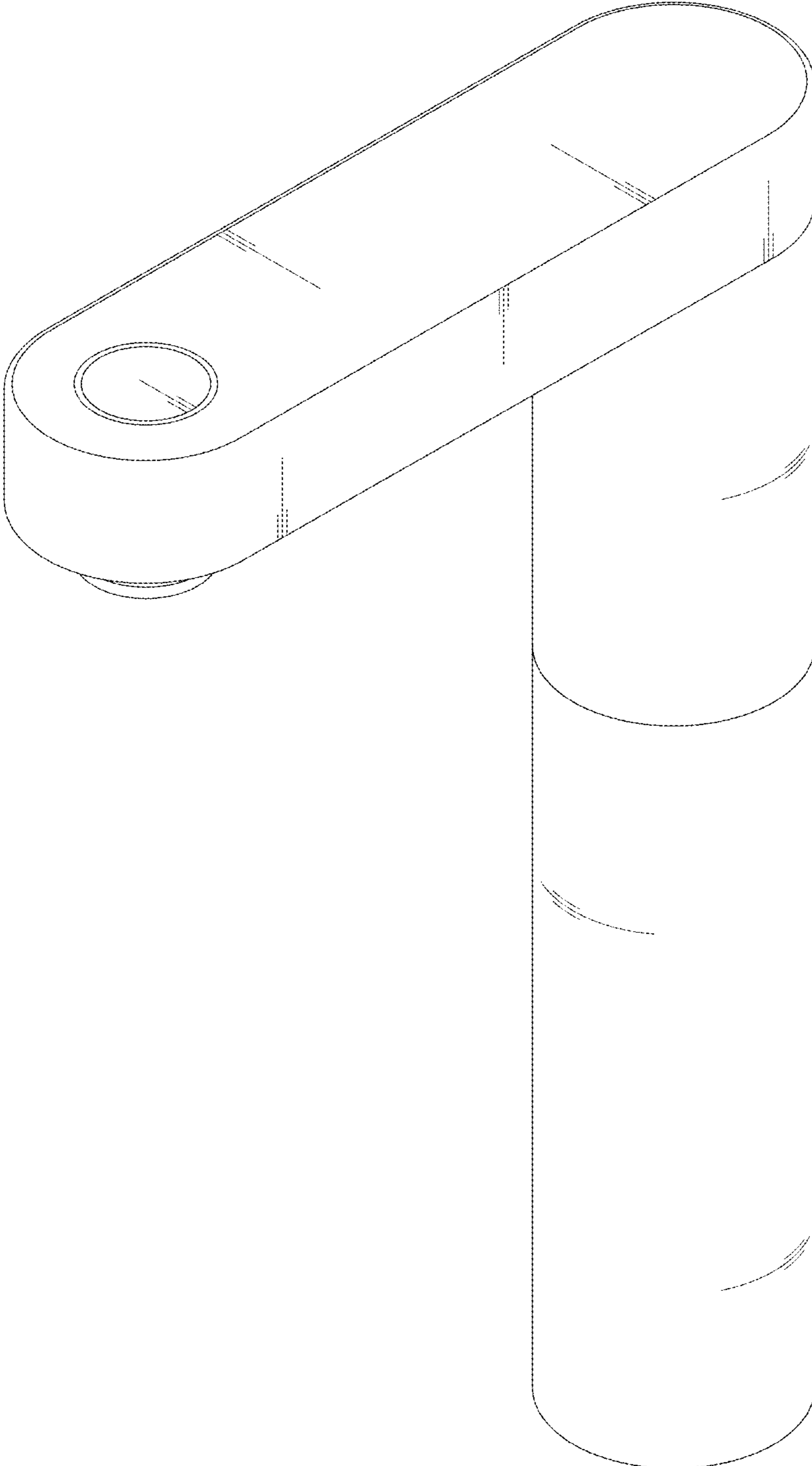


FIG. 2

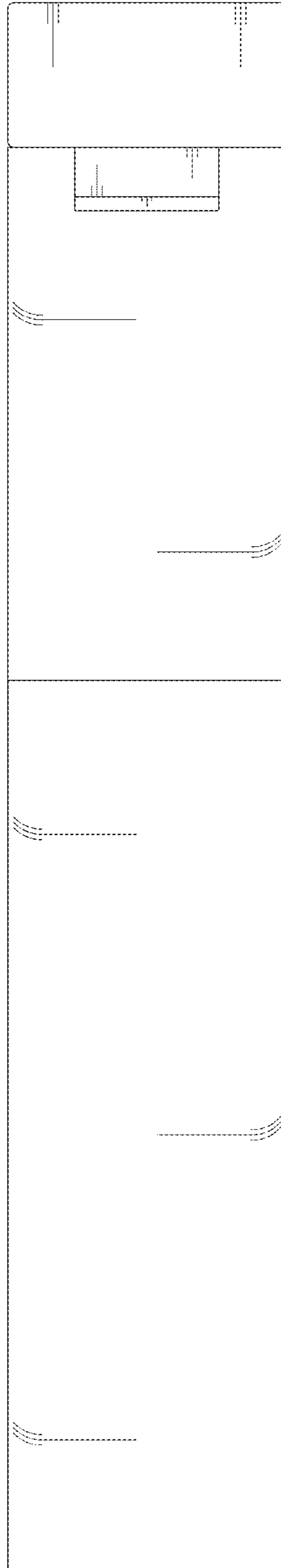


FIG. 3

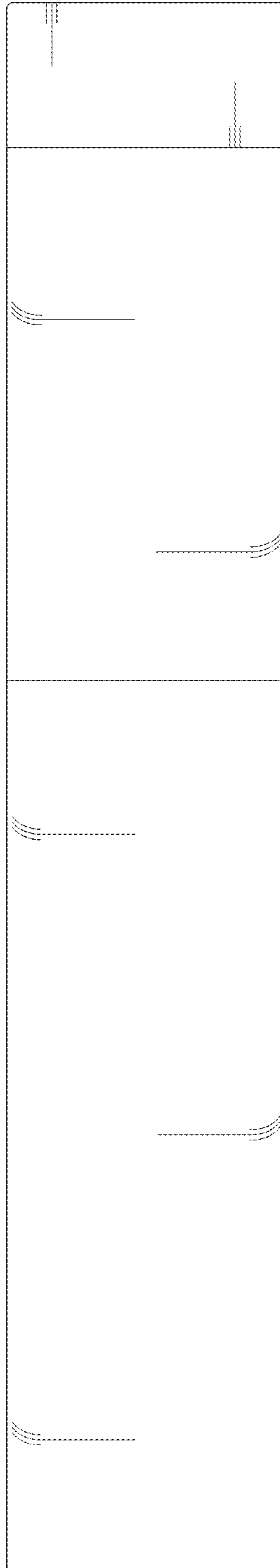


FIG. 4

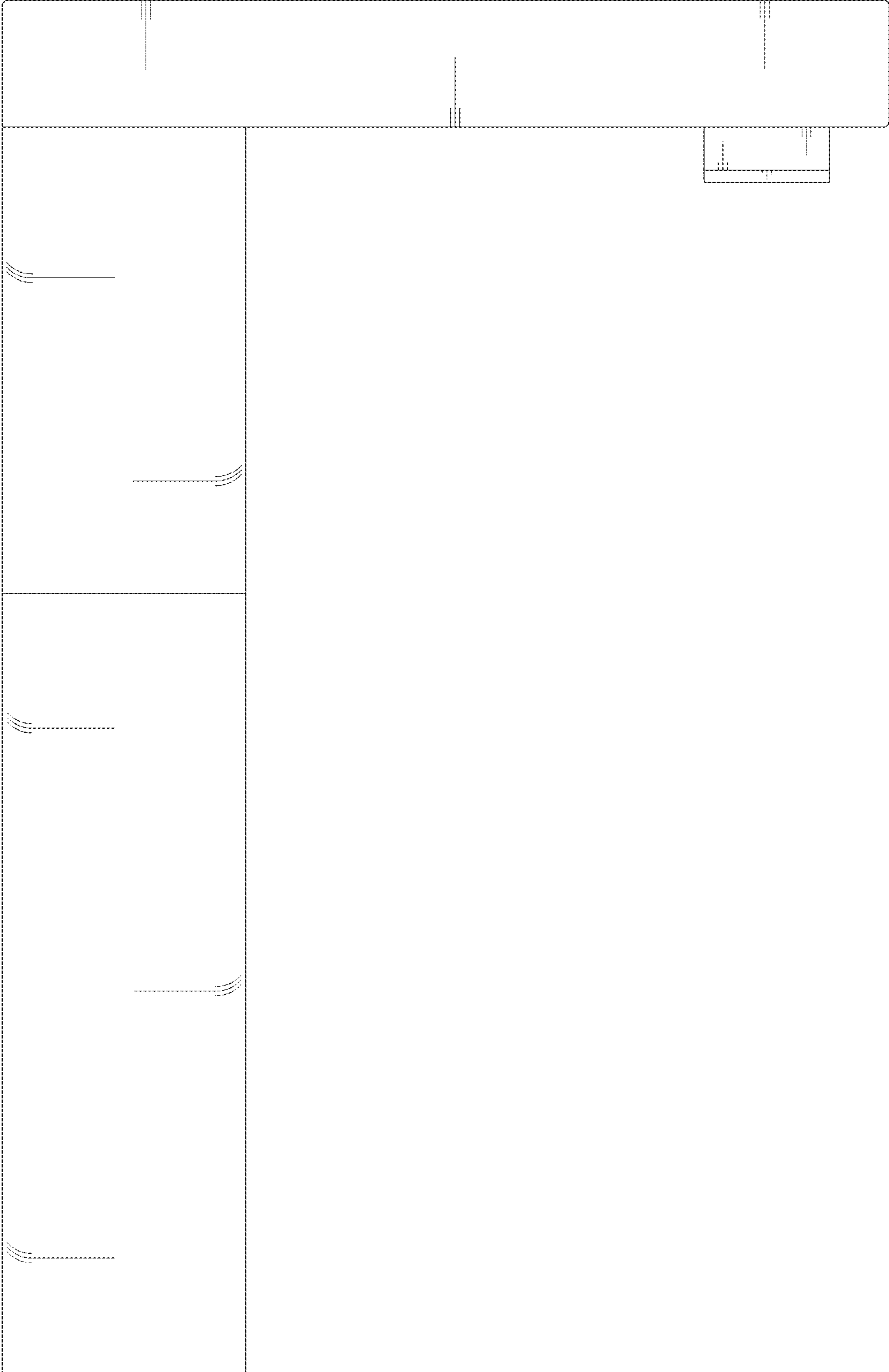


FIG. 5

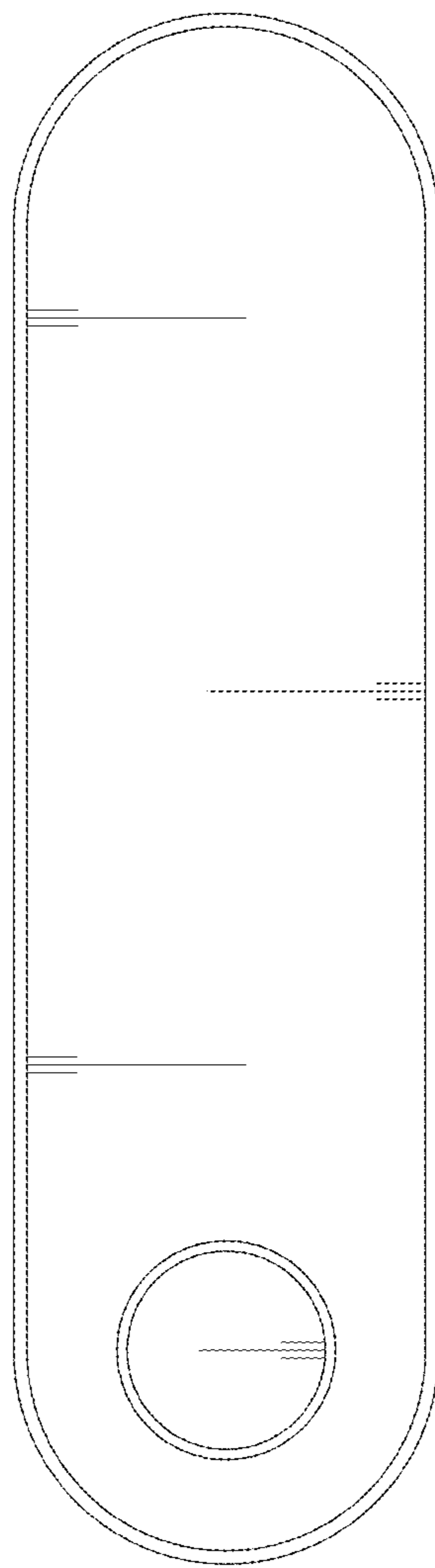


FIG. 6

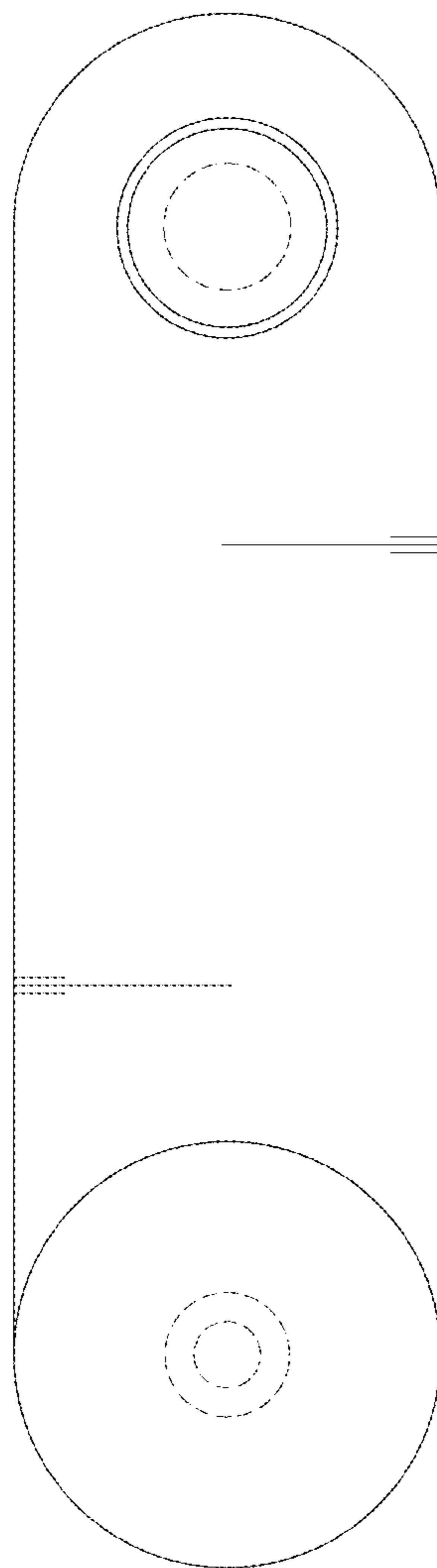


FIG. 7

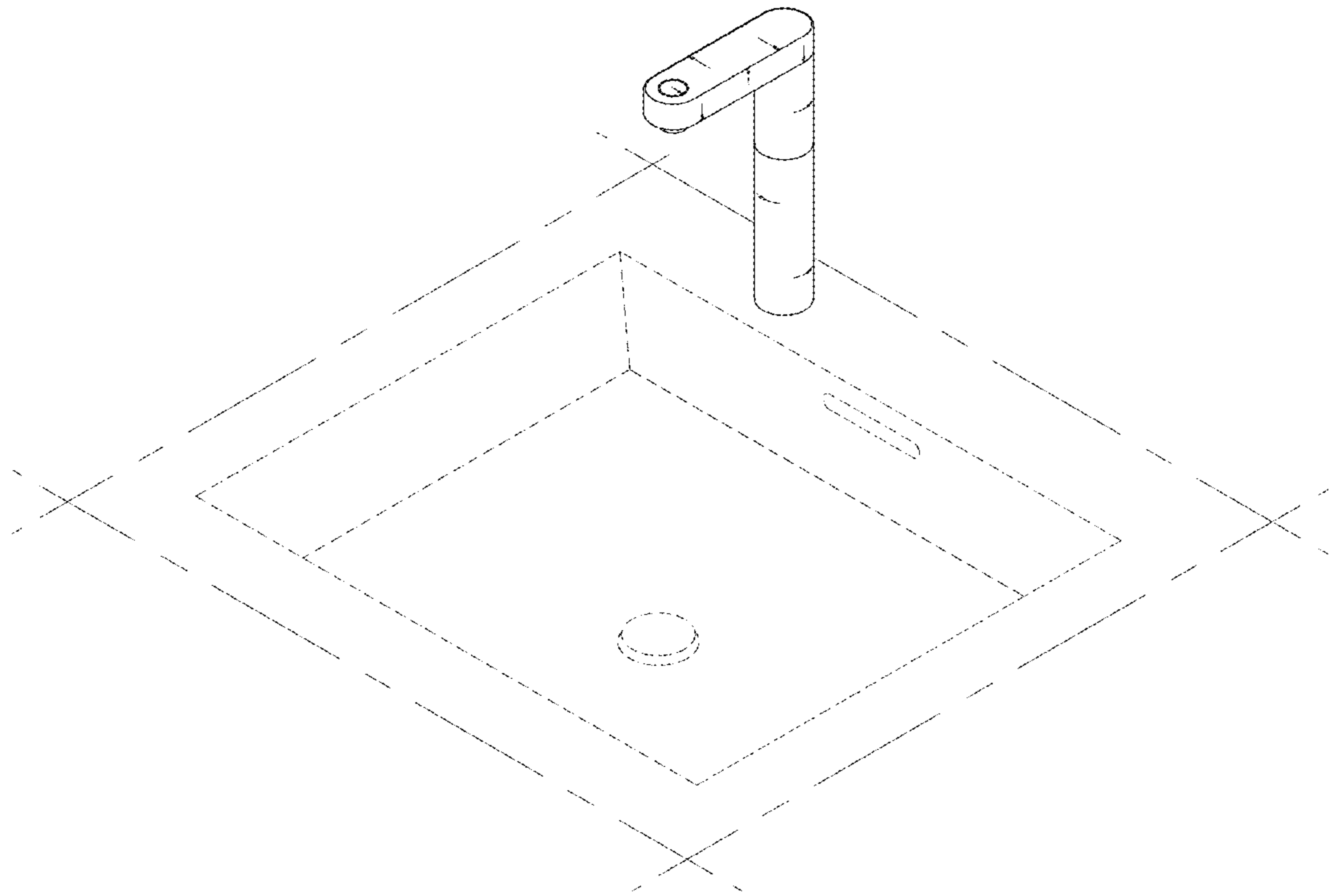


FIG. 8

