



US00D921146S

(12) **United States Design Patent** (10) **Patent No.:** **US D921,146 S**  
**Arias et al.** (45) **Date of Patent:** **\*\* Jun. 1, 2021**

(54) **FLOTATION DEVICE**

4,973,278 A 11/1990 Williams  
5,186,667 A 2/1993 Wang  
5,334,067 A 8/1994 Henry et al.  
5,409,411 A 4/1995 Schrieber

(71) Applicant: **SPIN MASTER, INC.**, Williamsville, NY (US)

(Continued)

(72) Inventors: **David A. Arias**, Virginia Beach, VA (US); **Timothy James Clemens**, Virginia Beach, VA (US); **Theresa M. Bannon**, Virginia Beach, VA (US); **Laurel A. Roney**, Virginia Beach, VA (US); **David J. Crowe**, Norfolk, VA (US)

**FOREIGN PATENT DOCUMENTS**

GB 2108435 B 4/1985  
JP 48-24199 7/1971

*Primary Examiner* — Zenia I Bennett

(74) *Attorney, Agent, or Firm* — Millman IP Inc.

(73) Assignee: **SPIN MASTER, INC.**, Williamsville, NY (US)

(57) **CLAIM**

The ornamental design for a flotation device, as shown and described.

(\*\*) Term: **15 Years**

**DESCRIPTION**

(21) Appl. No.: **29/716,524**

(22) Filed: **Dec. 10, 2019**

**Related U.S. Application Data**

(60) Division of application No. 29/640,485, filed on Mar. 14, 2018, now Pat. No. Des. 870,224, which is a continuation of application No. 15/914,685, filed on Mar. 7, 2018, now Pat. No. 10,433,649.

(51) **LOC (13) Cl.** ..... **21-02**

(52) **U.S. Cl.**  
USPC ..... **D21/803**

(58) **Field of Classification Search**  
USPC ..... D21/769–770, 801, 803, 809; D12/5, 6, D12/316; D6/392, 595, 596, 601, 604, D6/605

CPC ..... B63B 35/00; B63B 35/73; B63B 35/74  
See application file for complete search history.

(56) **References Cited**

**U.S. PATENT DOCUMENTS**

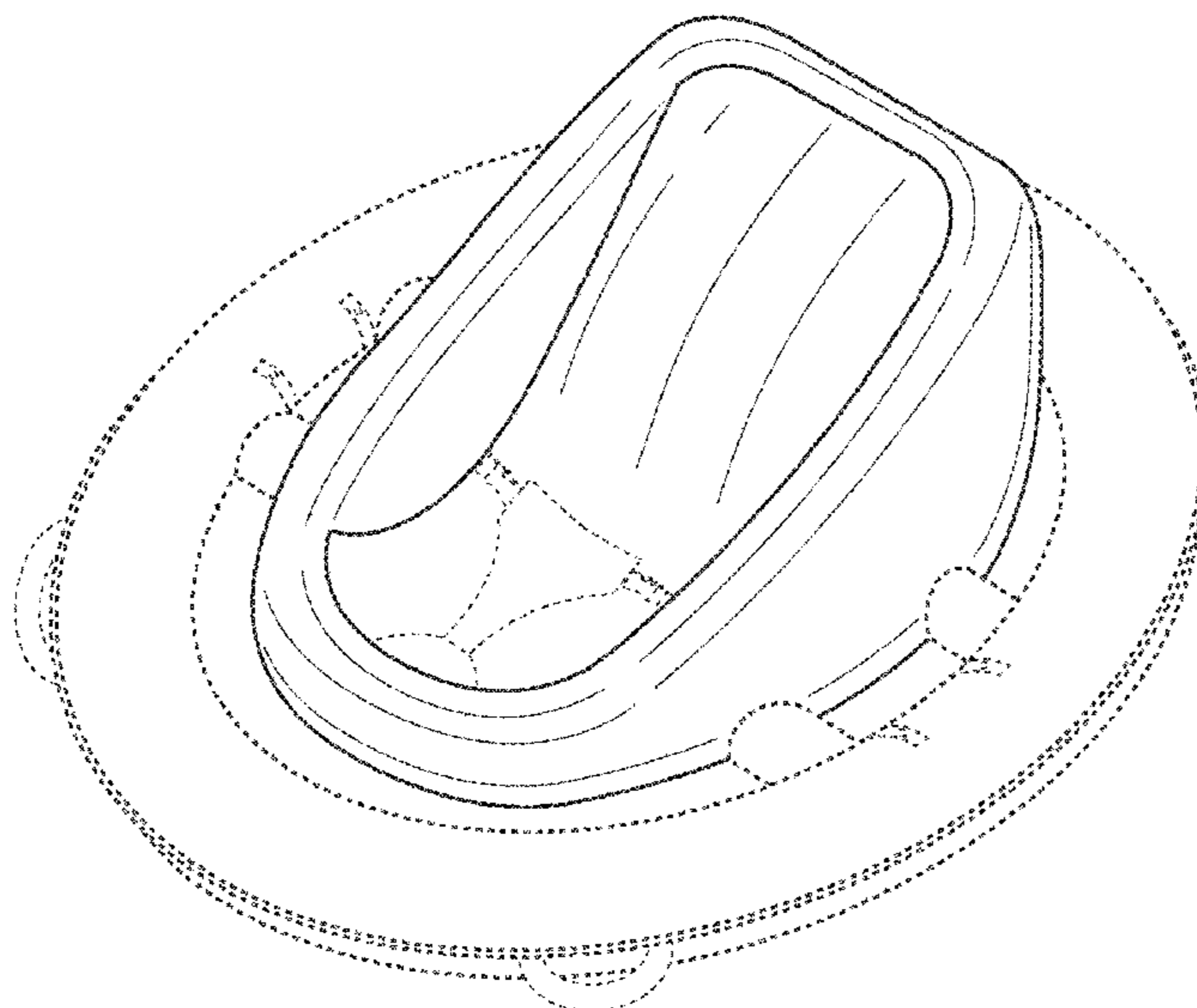
3,740,095 A 6/1973 Nail  
3,860,976 A 1/1975 Suyama

FIG. 1 is a front perspective view of a new design for a flotation device;  
FIG. 2 is a top plan view thereof;  
FIG. 3 is a bottom plan view thereof;  
FIG. 4 is a right side view thereof;  
FIG. 5 is a left side view thereof;  
FIG. 6 is a rear view thereof;  
FIG. 7 is a front view thereof; and,  
FIG. 8 is a cross-sectional view thereof, taken along line 16-16 in FIG. 6.

The broken lines are directed to environment and are for illustrative purposes only and form no part of the claimed design. The thin solid lines illustrate surface contour and form no part of the claimed design.

The cross-sectional view of FIG. 16 is provided to illustrate and help clarify the contour and/or configuration of the exterior design, and is not intended to illustrate interior features that are excluded from the claimed design. Any interior features that are illustrated are provided to help clarify the exterior design only, and such interior features form no part of the claimed design.

**1 Claim, 8 Drawing Sheets**



(56)

References Cited

U.S. PATENT DOCUMENTS

5,476,404	A *	12/1995	Price	.....	A47C 15/006	7,335,080	B2	2/2008	Arias
					441/131	7,500,893	B2	3/2009	Arias
D373,483	S *	9/1996	Peterson	.....	D6/380	D610,216	S	2/2010	Le Gette et al.
D409,971	S	5/1999	Elsholz			7,727,038	B2	6/2010	Le Gette et al.
D425,357	S *	5/2000	Waring	.....	D6/595	7,811,145	B2	10/2010	Arias
6,161,902	A *	12/2000	Lieberman	.....	A47C 4/54	D642,232	S	7/2011	Le Gette et al.
					297/452.41	8,057,272	B1	11/2011	Wray et al.
6,224,444	B1 *	5/2001	Klimenko	.....	A47C 4/54	8,066,540	B2	11/2011	Le Gette et al.
					441/130	8,079,888	B2	12/2011	Arias
6,485,344	B2	11/2002	Arias			D679,770	S	4/2013	Berenson
D469,494	S	1/2003	Arias			D686,684	S	7/2013	Wolfenbarger
D469,837	S	2/2003	Arias			8,523,623	B2	9/2013	Arias
D469,838	S	2/2003	Arias			8,657,640	B2	2/2014	Le Gette et al.
D471,614	S	3/2003	Arias			D719,233	S	12/2014	Maria
6,589,089	B1	7/2003	Glass et al.			D725,209	S	3/2015	Wampold
6,908,353	B2	6/2005	Zheng			D744,052	S	11/2015	Rubey
6,971,936	B2	12/2005	Le Gette et al.			9,221,526	B2	12/2015	Arias
7,008,281	B2	3/2006	Ketko			D765,200	S	8/2016	Gershon
7,097,524	B2	8/2006	Arias			9,630,687	B2	4/2017	Le Gette et al.
7,134,930	B2	11/2006	Arias			D806,197	S	12/2017	Gershon
7,147,528	B2	12/2006	Arias			9,849,949	B2	12/2017	Arias
7,210,976	B2	5/2007	Gordon			10,433,649	B2	10/2019	Arias et al.
D556,284	S	11/2007	Peterson			D870,224	S	12/2019	Arias et al.
						2017/0188713	A1	7/2017	Le Gette et al.
						2018/0265175	A1	9/2018	Arias

\* cited by examiner

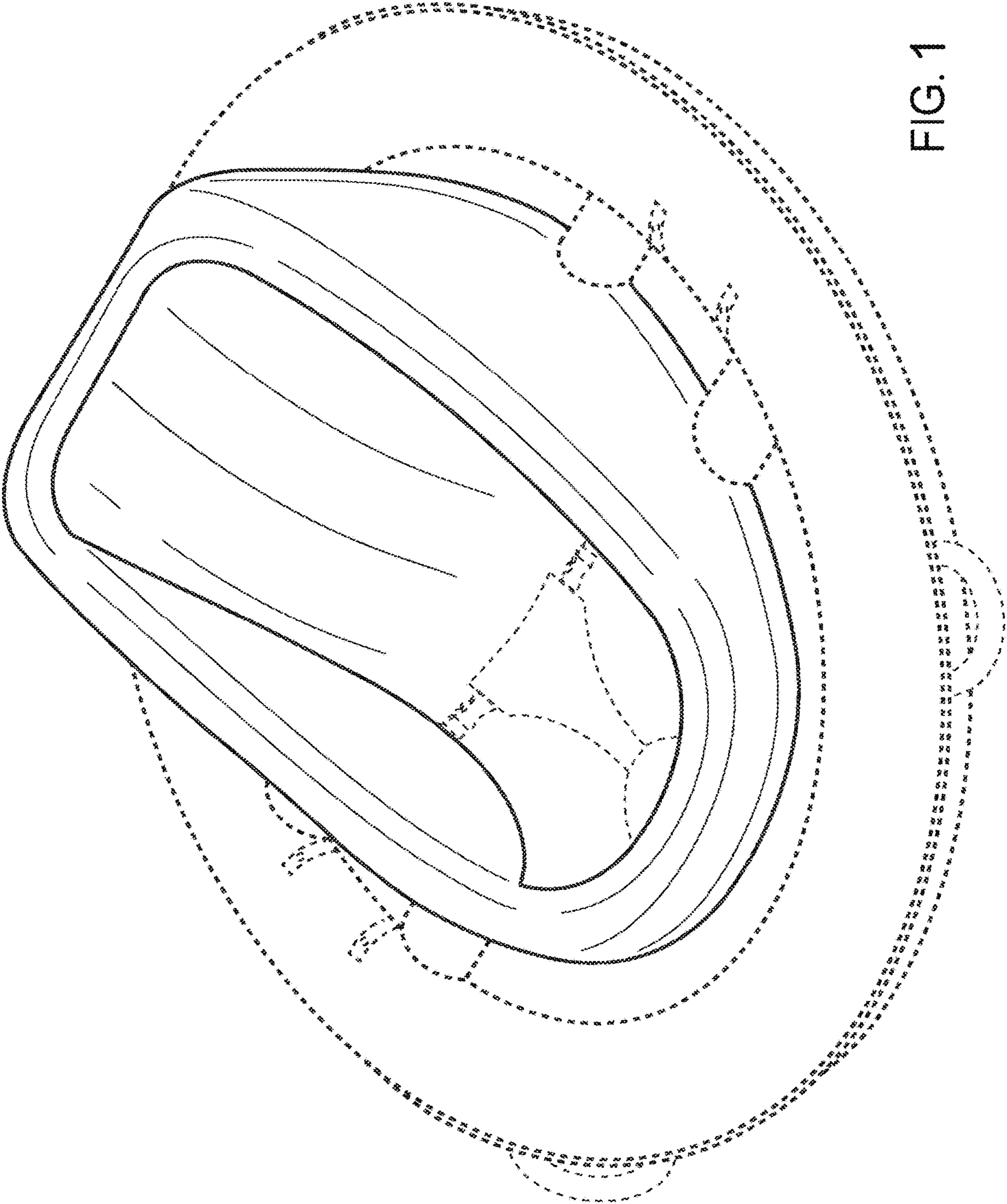


FIG. 1

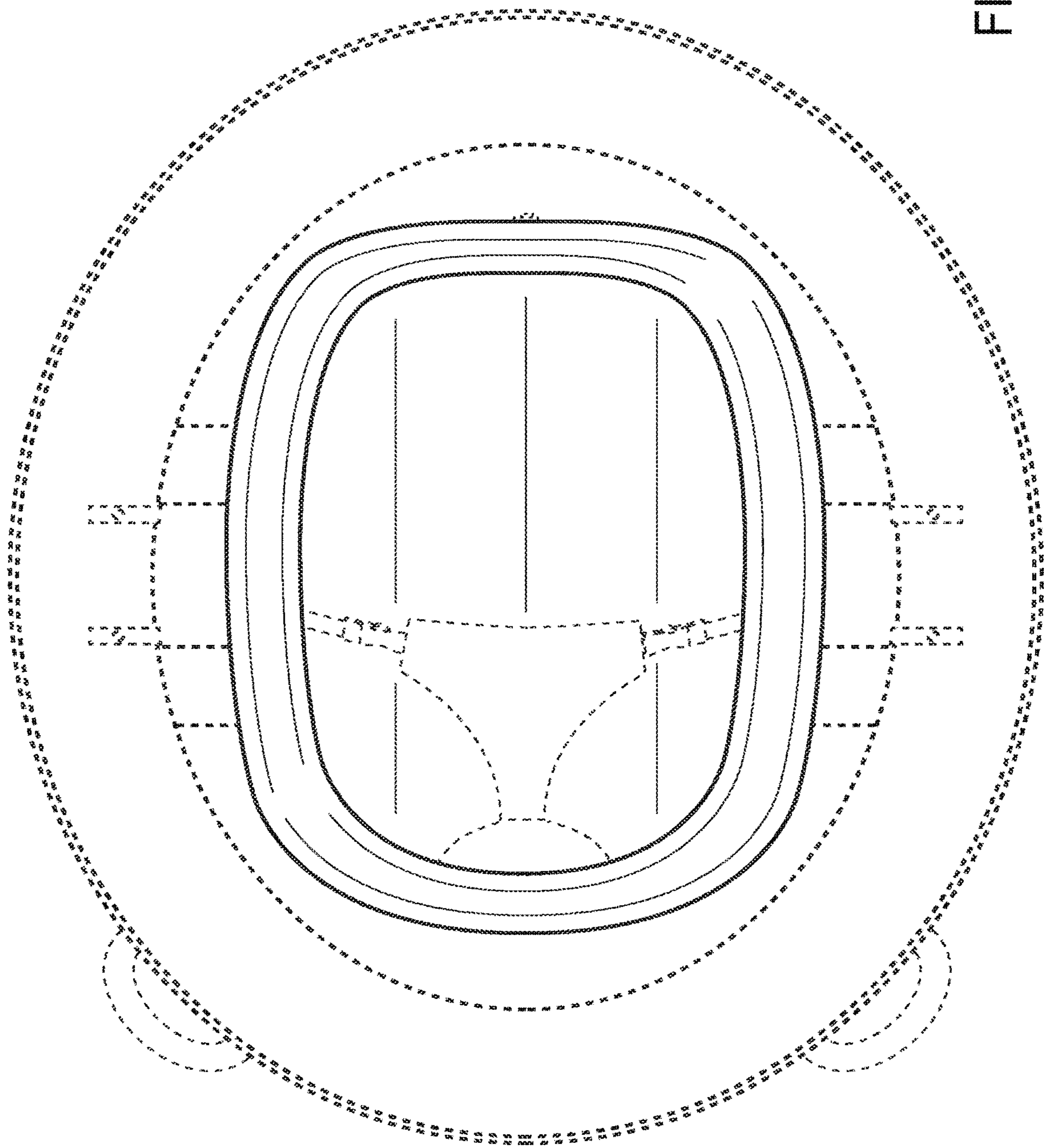


FIG. 2

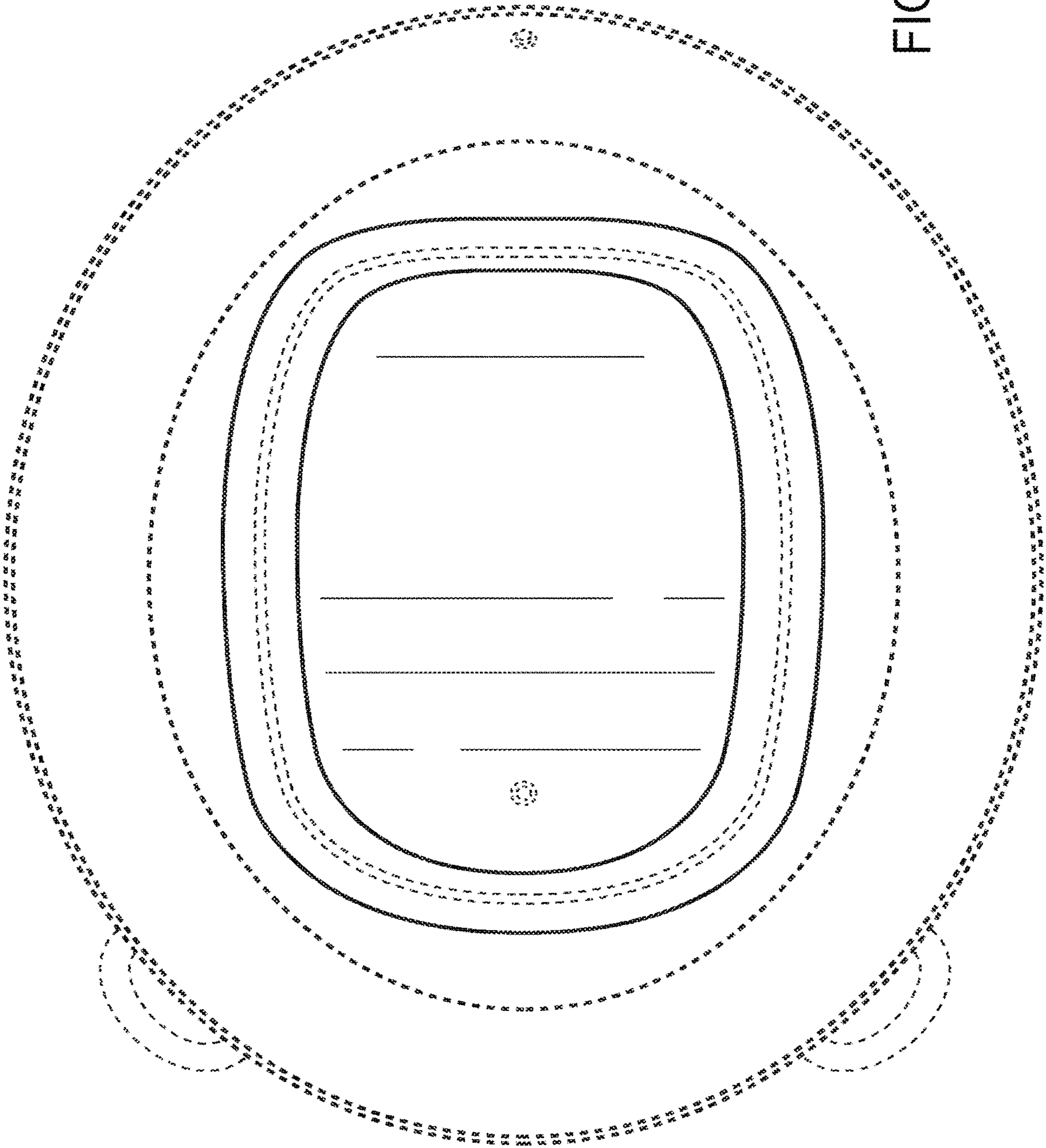


FIG. 3

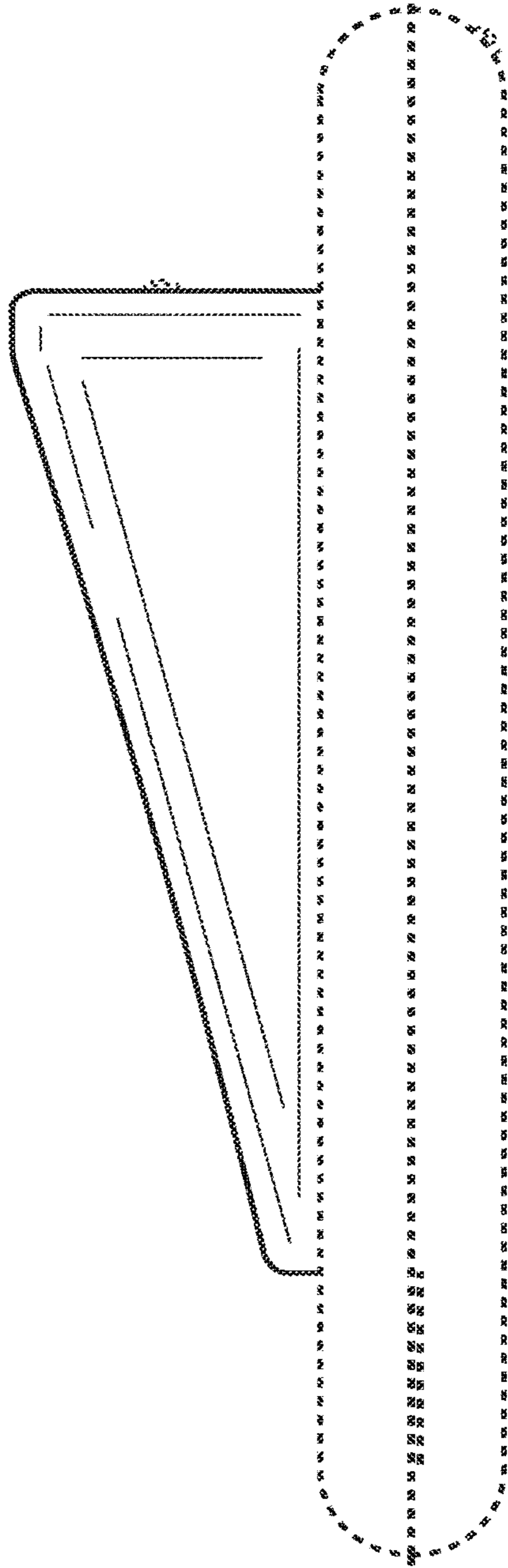


FIG. 4

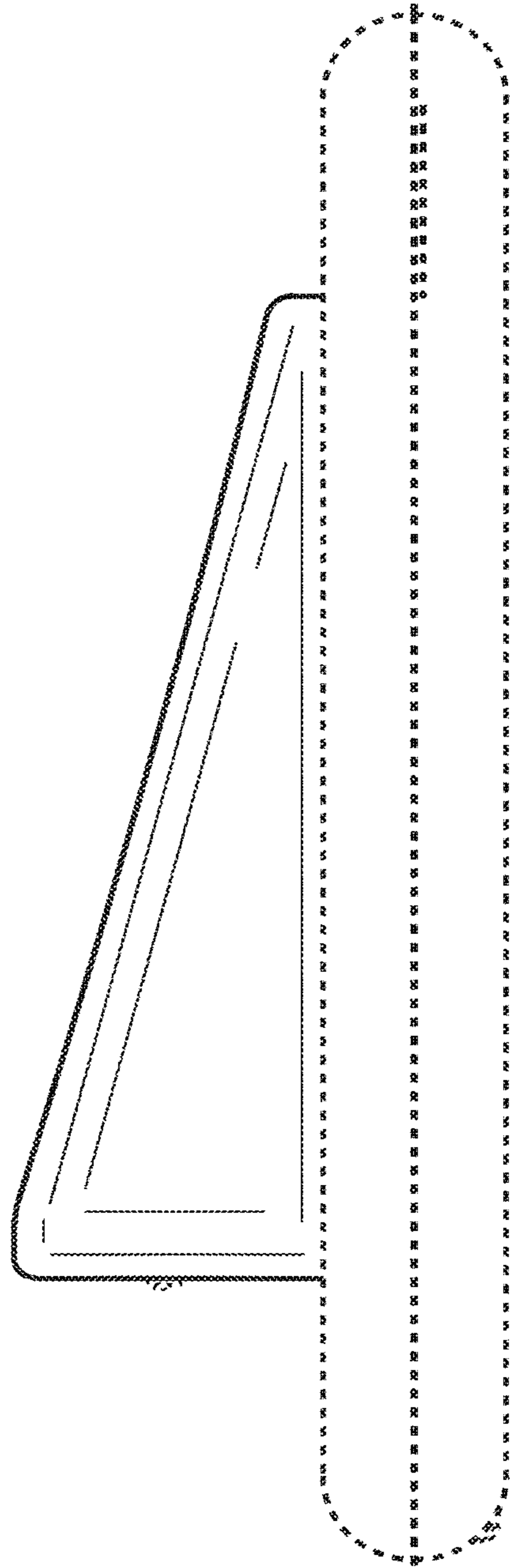


FIG. 5

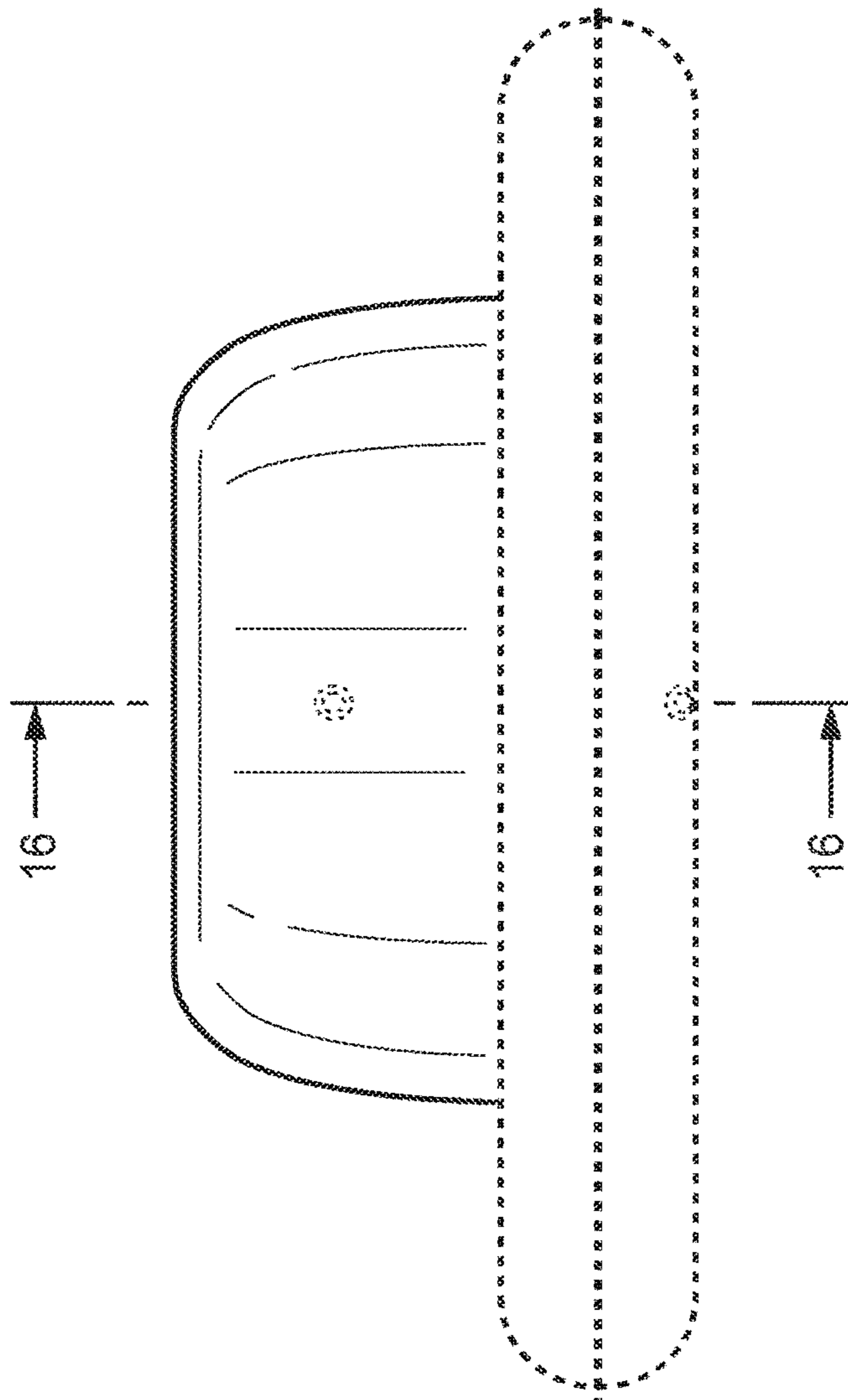


FIG. 6



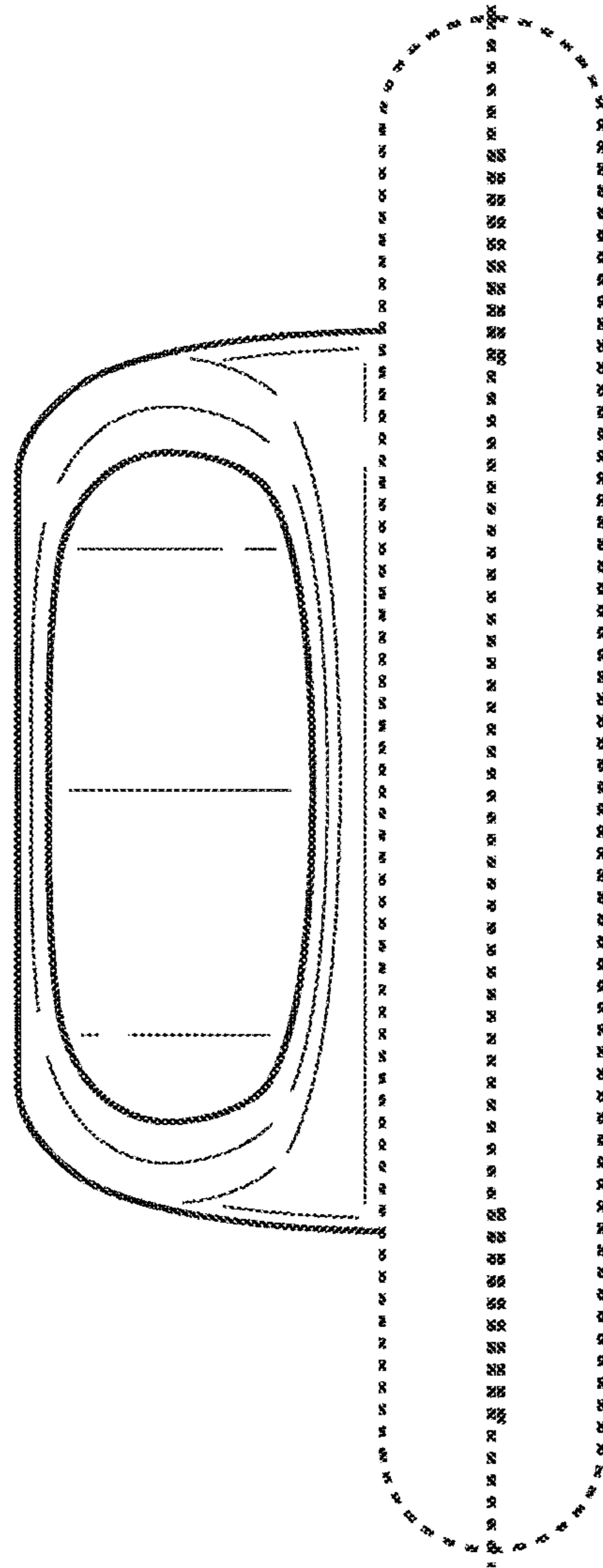


FIG. 7

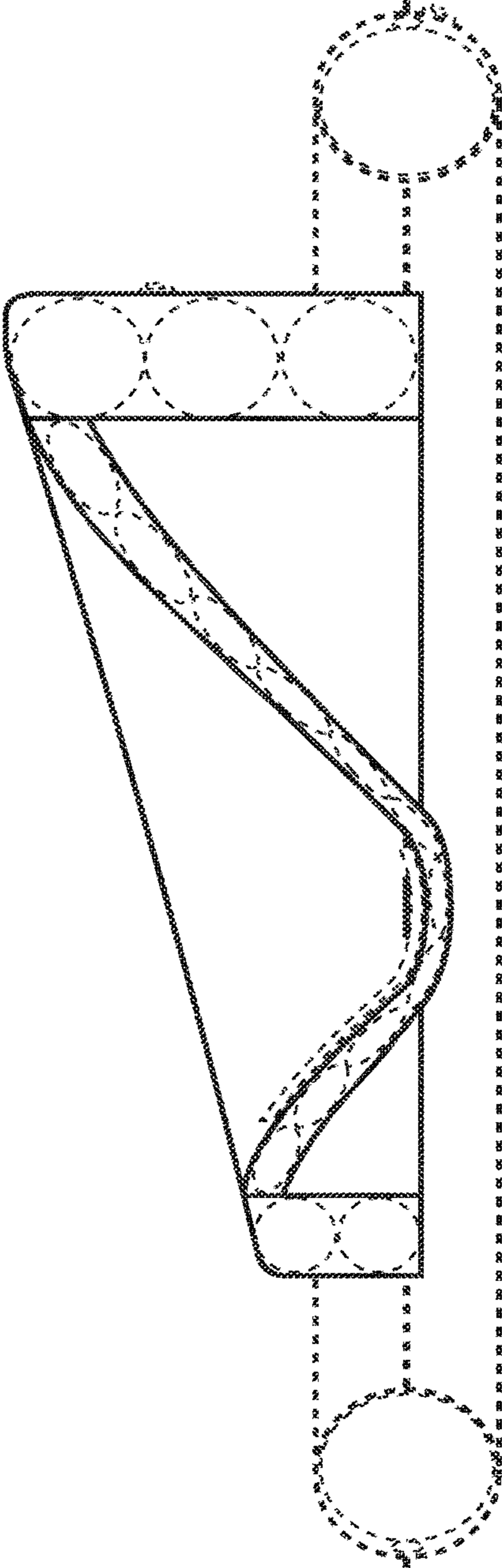


FIG. 8