



US00D921145S

(12) **United States Design Patent**
Fox

(10) **Patent No.:** **US D921,145 S**
(45) **Date of Patent:** **** Jun. 1, 2021**

(54) **POOL PILLOW**

(71) Applicant: **Gary A. Fox**, Palm Springs, CA (US)

(72) Inventor: **Gary A. Fox**, Palm Springs, CA (US)

(**) Term: **15 Years**

(21) Appl. No.: **29/703,861**

(22) Filed: **Aug. 29, 2019**

(51) **LOC (13) Cl.** **21-02**

(52) **U.S. Cl.**
USPC **D21/803**

(58) **Field of Classification Search**
USPC D21/801, 803, 804, 808, 809, 810;
D6/601; D23/304
CPC A63B 31/00
See application file for complete search history.

(56) **References Cited**

U.S. PATENT DOCUMENTS

D279,344 S *	6/1985	Kohler, Jr.	D23/304
D340,814 S *	11/1993	Grant	D6/368
D485,724 S *	1/2004	Morikawa	D6/601
D509,694 S *	9/2005	Pitchford	D6/601
D615,793 S *	5/2010	Hain	D6/601
D628,004 S *	11/2010	Moorefield	D6/601
D706,060 S *	6/2014	Chen	D6/601
D746,613 S *	1/2016	DeRosa	D6/601
D752,360 S *	3/2016	Hadley	D6/601

D821,114 S *	6/2018	Nguyen	D6/601
D831,386 S *	10/2018	Glasgow	D6/601
D878,107 S *	3/2020	Cohen	D6/601
D880,193 S *	4/2020	Clark	D6/601

* cited by examiner

Primary Examiner — Michael C Stout

Assistant Examiner — Katrina N Gonzalez

(74) *Attorney, Agent, or Firm* — Loza & Loza, LLP;
Heidi Eisenhut

(57) **CLAIM**

The ornamental design for a pool pillow, as shown and described.

DESCRIPTION

FIG. 1 is a top left perspective view of a pool pillow, showing my new design in a state of use in an environmental view;
FIG. 2 is a top plan view thereof, but shown in an open configuration;
FIG. 3 a bottom plan view thereof;
FIG. 4 is a first side elevation view thereof;
FIG. 5 is a second side elevation view thereof;
FIG. 6 is a front elevation view thereof;
FIG. 7 is a back elevation view thereof;
FIG. 8 is a top left side perspective view thereof, but shown in a closed configuration; and,
FIG. 9 is another side elevation view thereof.
The broken lines shown FIG. 1 illustrate environmental structure that form no part of the claimed design.

1 Claim, 6 Drawing Sheets

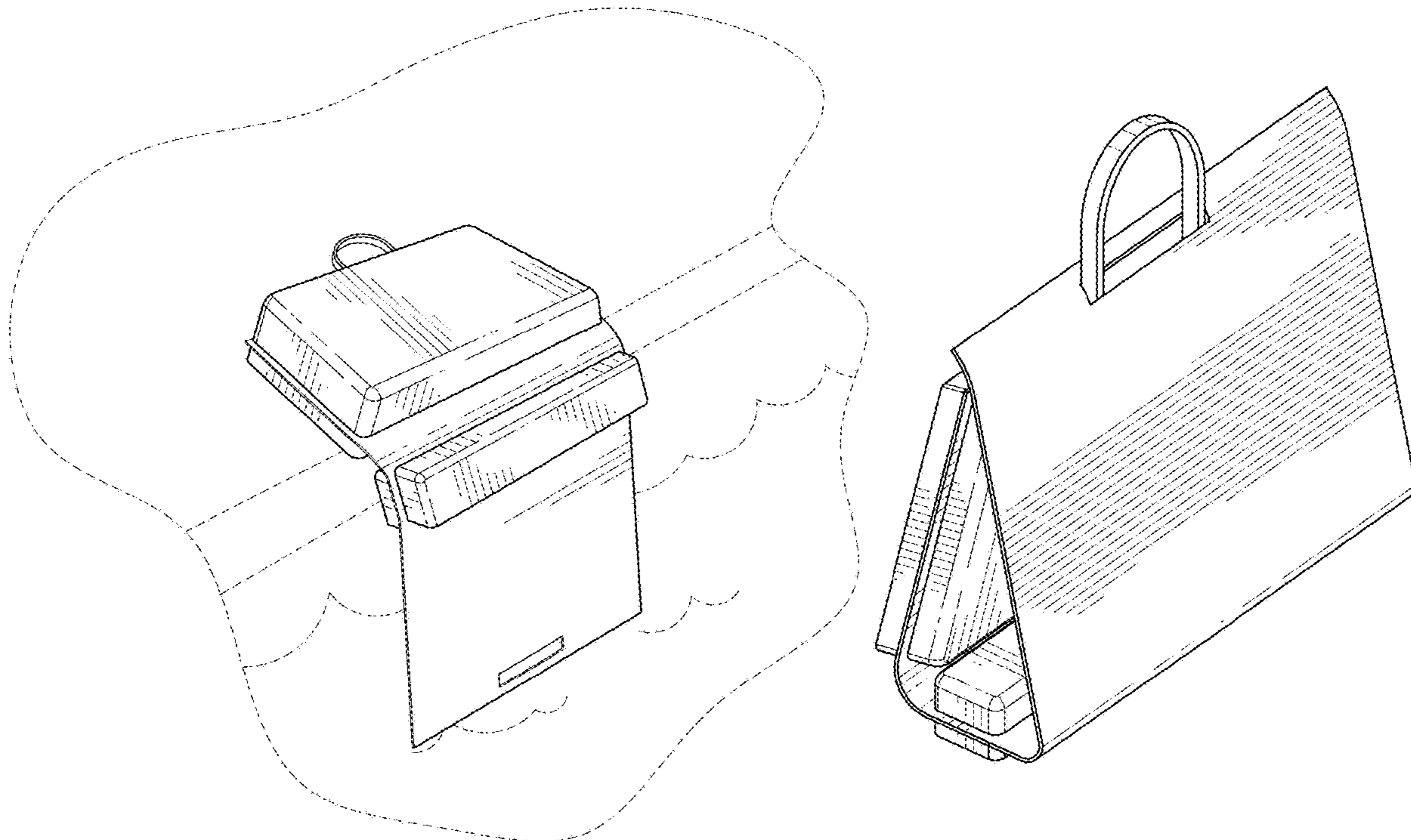
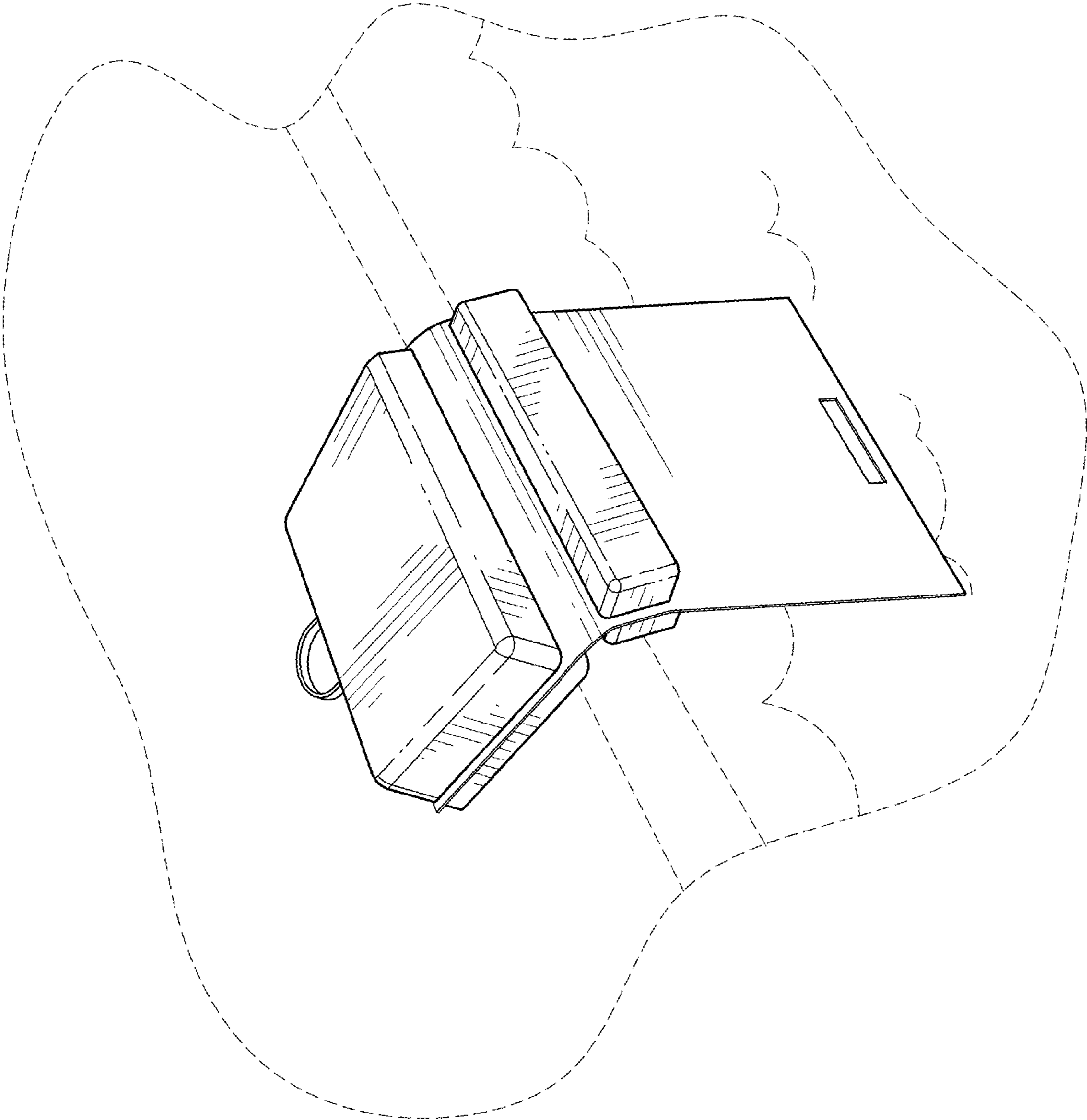


FIG. 1



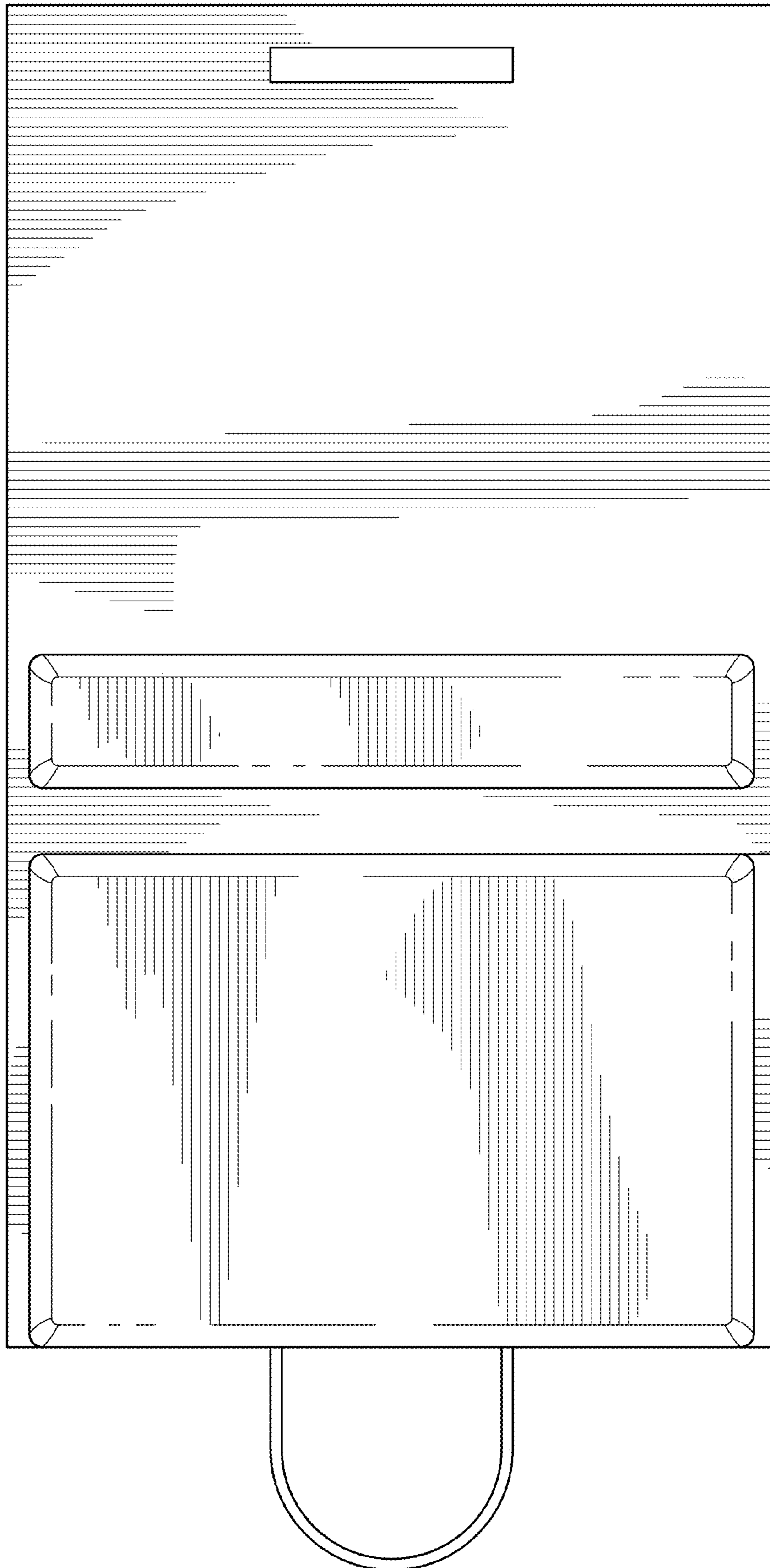


FIG. 2

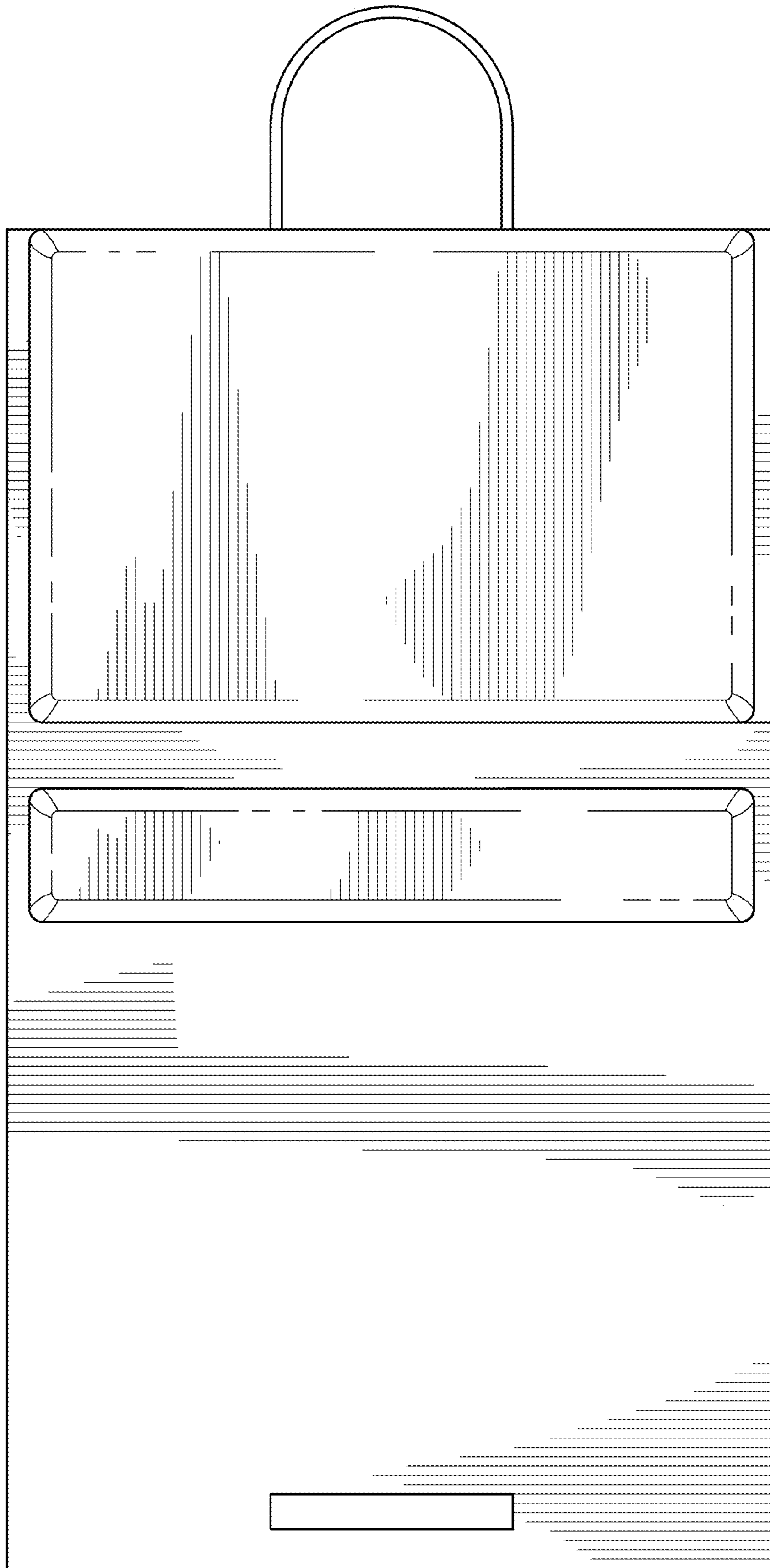


FIG. 3

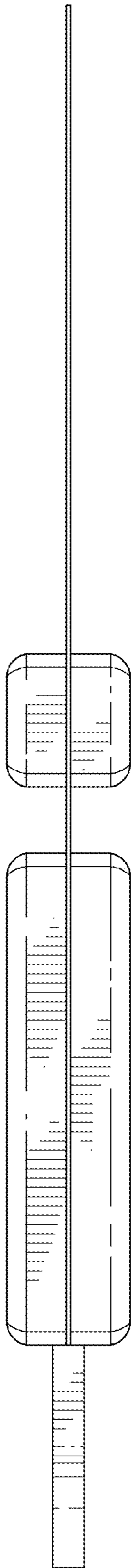


FIG. 4

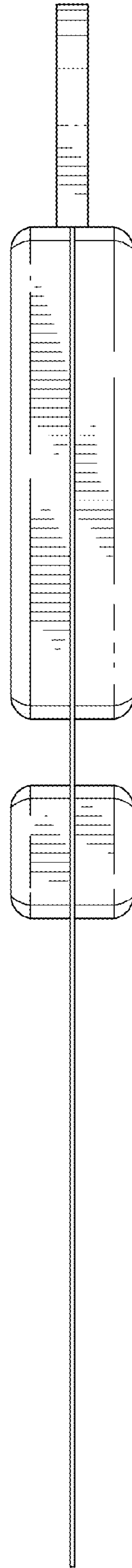


FIG. 5

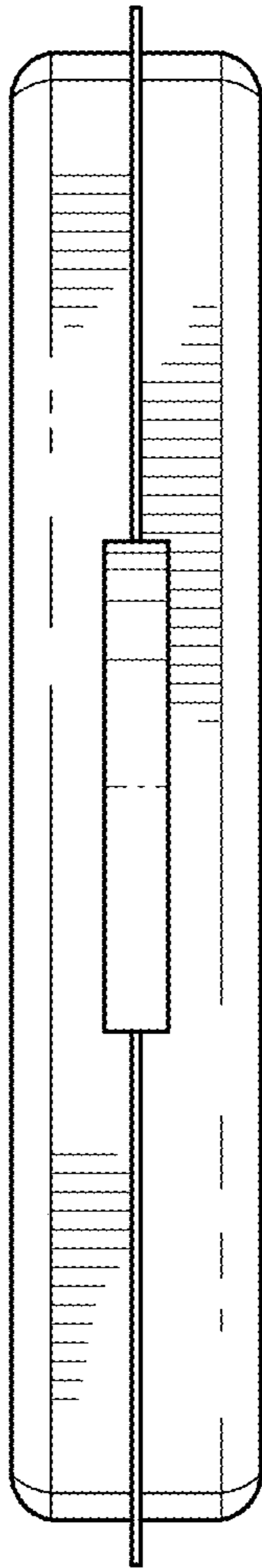


FIG. 6

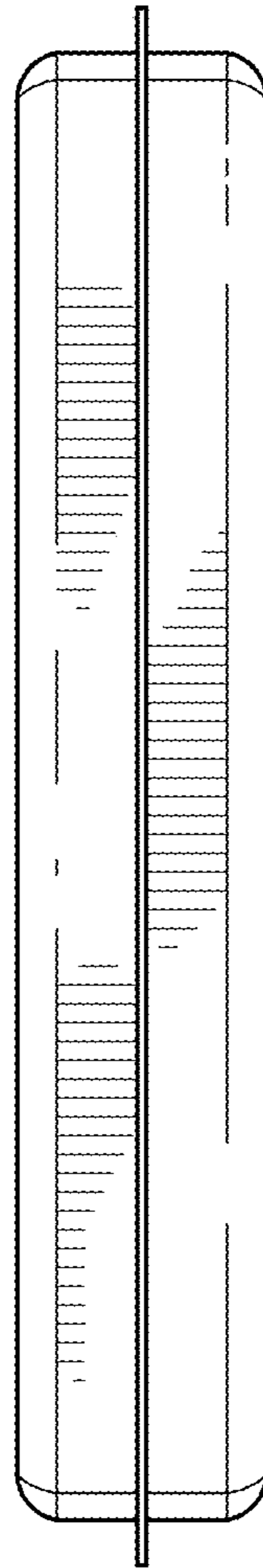


FIG. 7

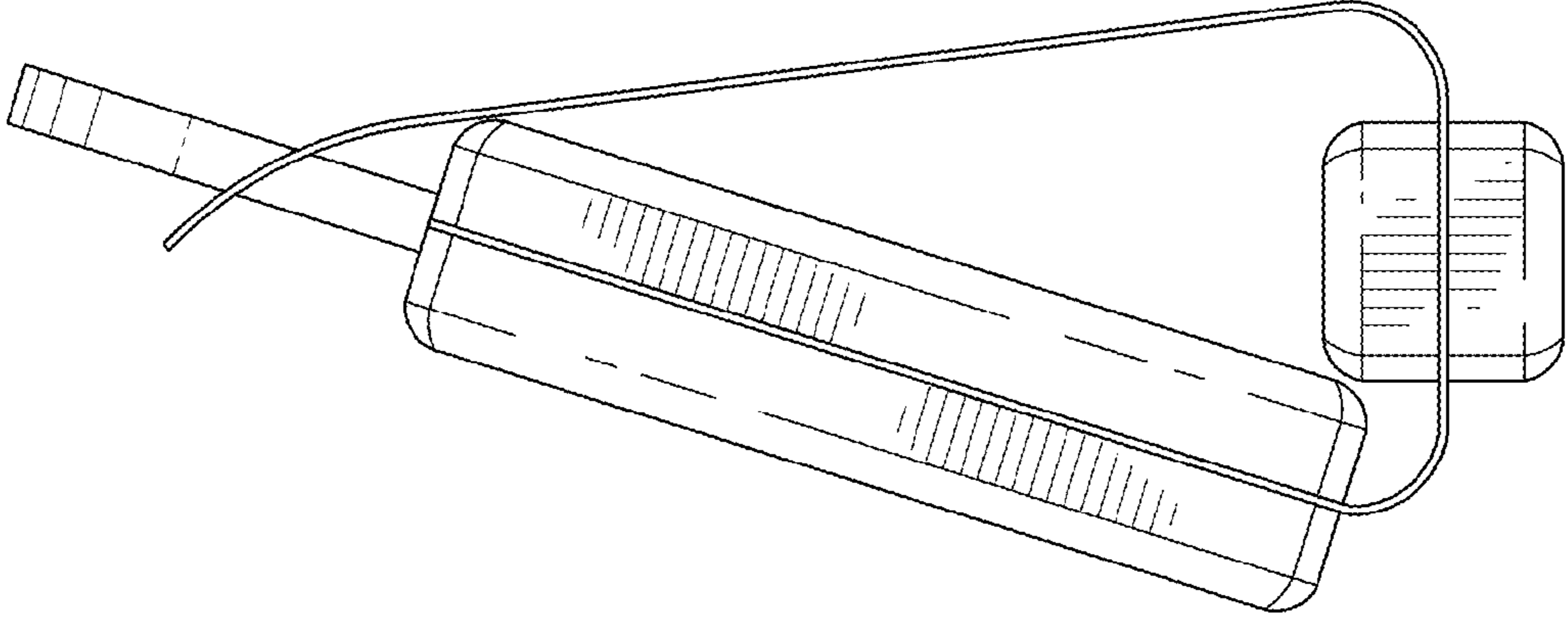


FIG. 9

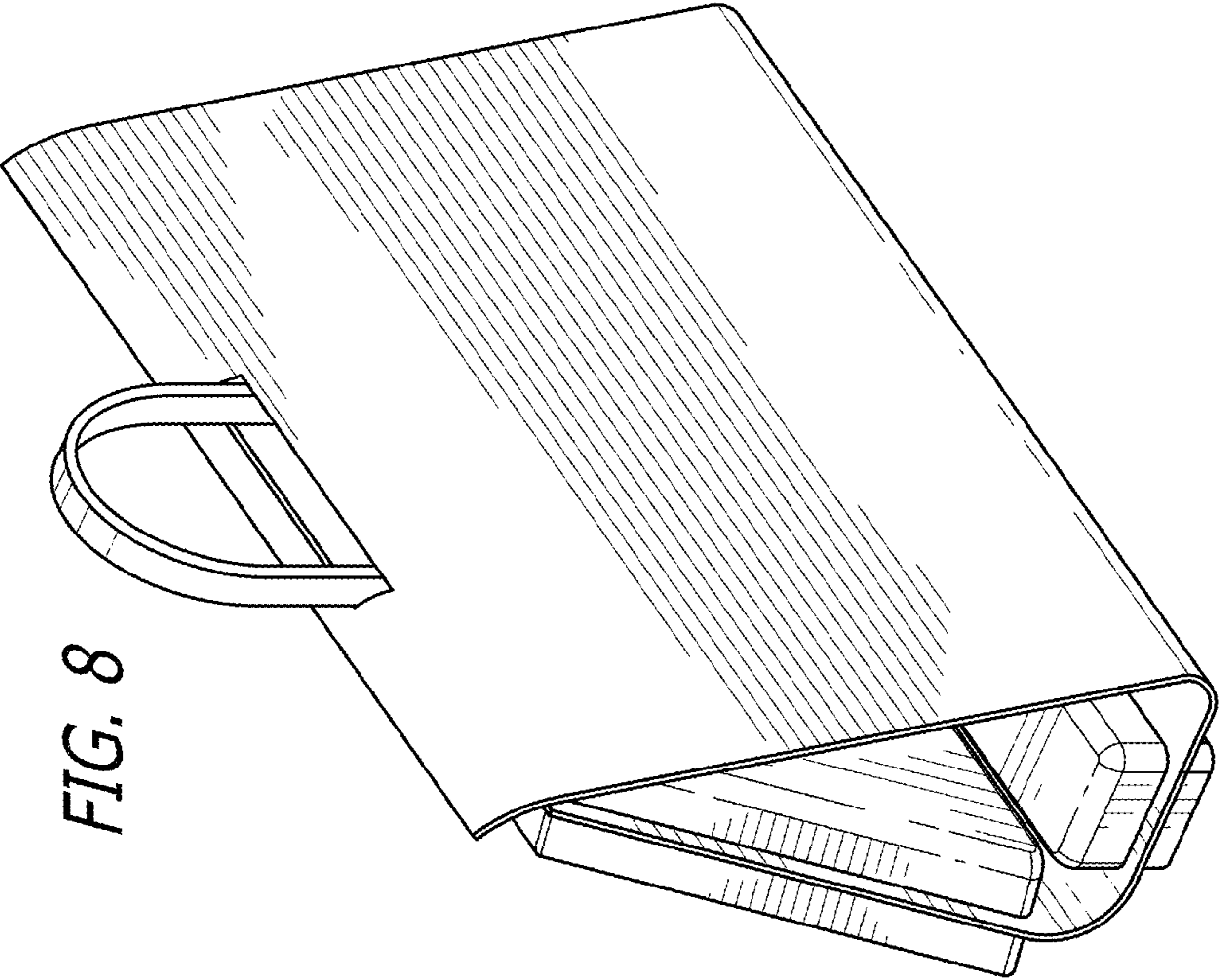


FIG. 8