



US00D921142S

(12) **United States Design Patent**
Song et al.

(10) **Patent No.:** **US D921,142 S**

(45) **Date of Patent:** **** Jun. 1, 2021**

(54) **GOLF CLUB HEAD**

(71) Applicant: **Acushnet Company**, Fairhaven, MA (US)

(72) Inventors: **Yu-Jin Song**, San Marcos, CA (US);
Tyrone Northcutt, Escondido, CA (US); **Thomas Orrin Bennett**, Carlsbad, CA (US)

(73) Assignee: **Acushnet Company**, Fairhaven, MA (US)

(**) Term: **15 Years**

(21) Appl. No.: **29/709,194**

(22) Filed: **Oct. 11, 2019**

(51) **LOC (13) Cl.** **21-02**

(52) **U.S. Cl.**
USPC **D21/752**

(58) **Field of Classification Search**
USPC D21/733, 752, 759
CPC A63B 53/00; A63B 53/04; A63B 53/0466;
A63B 2053/002; A63B 2053/0445; A63B
2053/0433; A63B 2053/0491; A63B
2053/0437; A63B 60/00; A63B 60/46
See application file for complete search history.

(56) **References Cited**

U.S. PATENT DOCUMENTS

D472,950 S *	4/2003	Burnett	D21/752
D523,918 S *	6/2006	Foster	D21/752
D524,891 S *	7/2006	Foster	D21/752
D603,919 S *	11/2009	Gray	D21/752
D604,376 S *	11/2009	Darley	D21/752
D614,711 S *	4/2010	Harbert	D21/752
D631,111 S *	1/2011	Bennett	D21/752
D663,371 S *	7/2012	Kim	D21/752
D665,863 S *	8/2012	Gonzalez	D21/752

D707,767 S *	6/2014	Song	D21/752
D708,686 S *	7/2014	Day	D21/752
D709,150 S *	7/2014	Day	D21/752
D714,892 S *	10/2014	Atwell	D21/752
D716,889 S *	11/2014	Dolezel	D21/759
D732,124 S *	6/2015	Trahan	D21/759
D756,474 S *	5/2016	Trahan	D21/759
D786,991 S *	5/2017	Tang	D21/759
D786,992 S *	5/2017	Tang	D21/759
D786,993 S *	5/2017	Tang	D21/759
D811,503 S *	2/2018	Bacon	D21/752
D812,168 S *	3/2018	Kim	D21/759
D813,327 S *	3/2018	Kim	D21/752
D813,328 S *	3/2018	Tang	D21/752
D814,582 S *	4/2018	Bacon	D21/752
D814,583 S *	4/2018	Stokke	D21/752
D815,223 S *	4/2018	Stokke	D21/752
D823,958 S *	7/2018	Stokke	D21/752
D825,013 S *	8/2018	Milleman	D21/752
D834,116 S *	11/2018	Chun	D21/752

(Continued)

Primary Examiner — Mitchell I. Siegel

(74) *Attorney, Agent, or Firm* — Randy K. Chang

(57) **CLAIM**

The ornamental design for golf club head, as shown and described.

DESCRIPTION

FIG. 1 is a perspective sole view of a golf club head showing our design;

FIG. 2 is a bottom plan view thereof;

FIG. 3 is a rear elevation view thereof;

FIG. 4 is a toe end view thereof;

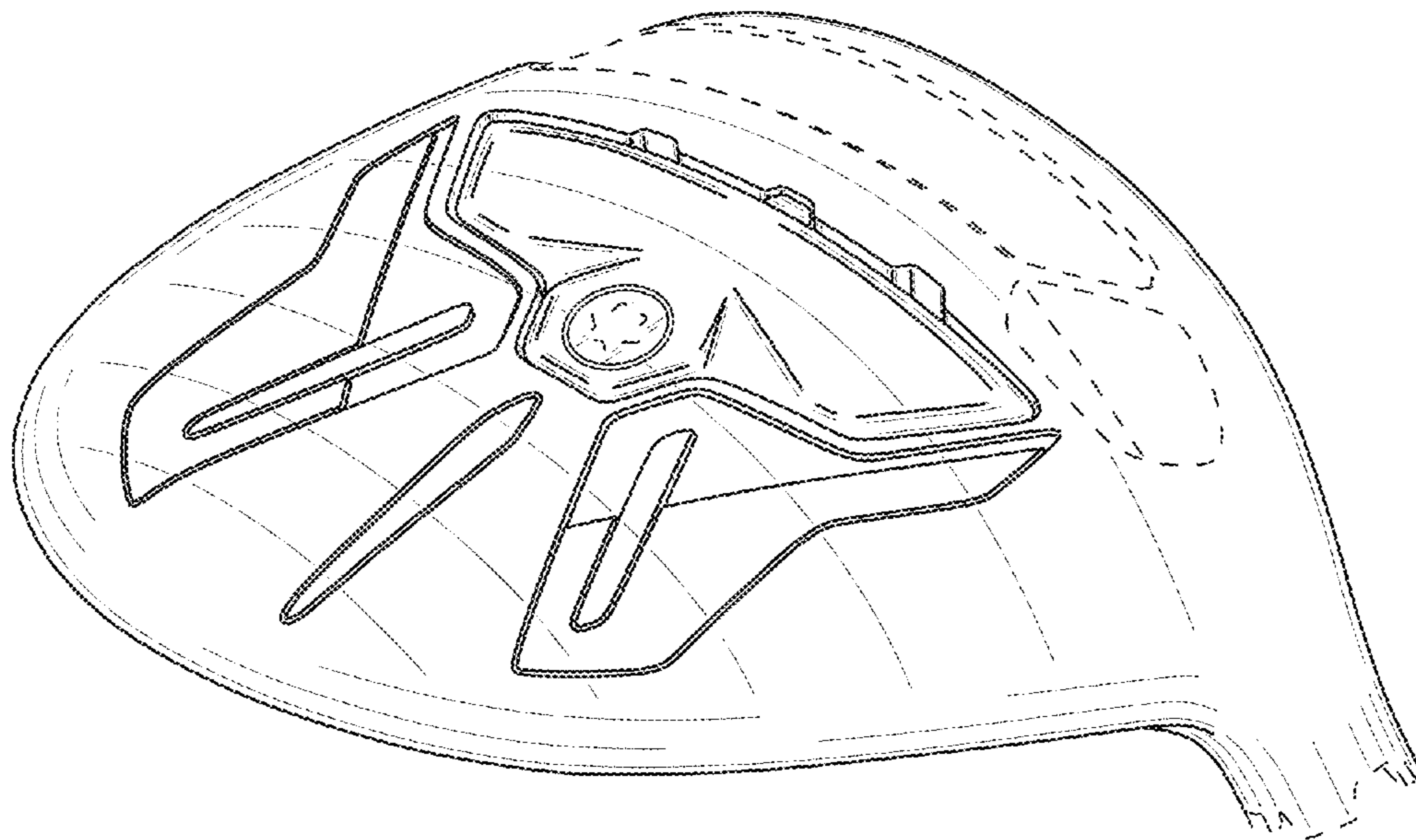
FIG. 5 is a heel end view thereof;

FIG. 6 is a top plan view thereof; and,

FIG. 7 is a front elevation view thereof.

The broken lines showing on the top of the hosel, the bottom surface of the golf club head and the engagement mechanism of the screw head forms no part of the claimed design.

1 Claim, 3 Drawing Sheets



(56)

References Cited

U.S. PATENT DOCUMENTS

D834,118	S	*	11/2018	Song	D21/759
D846,050	S	*	4/2019	Song	D21/752
D846,673	S	*	4/2019	Song	D21/752
D867,501	S	*	11/2019	Chun	D21/752
D867,502	S	*	11/2019	Song	D21/752
D867,503	S	*	11/2019	Chun	D21/752
D877,834	S	*	3/2020	Song	D21/759
D895,041	S	*	9/2020	Chun	D21/752

* cited by examiner

FIG. 1

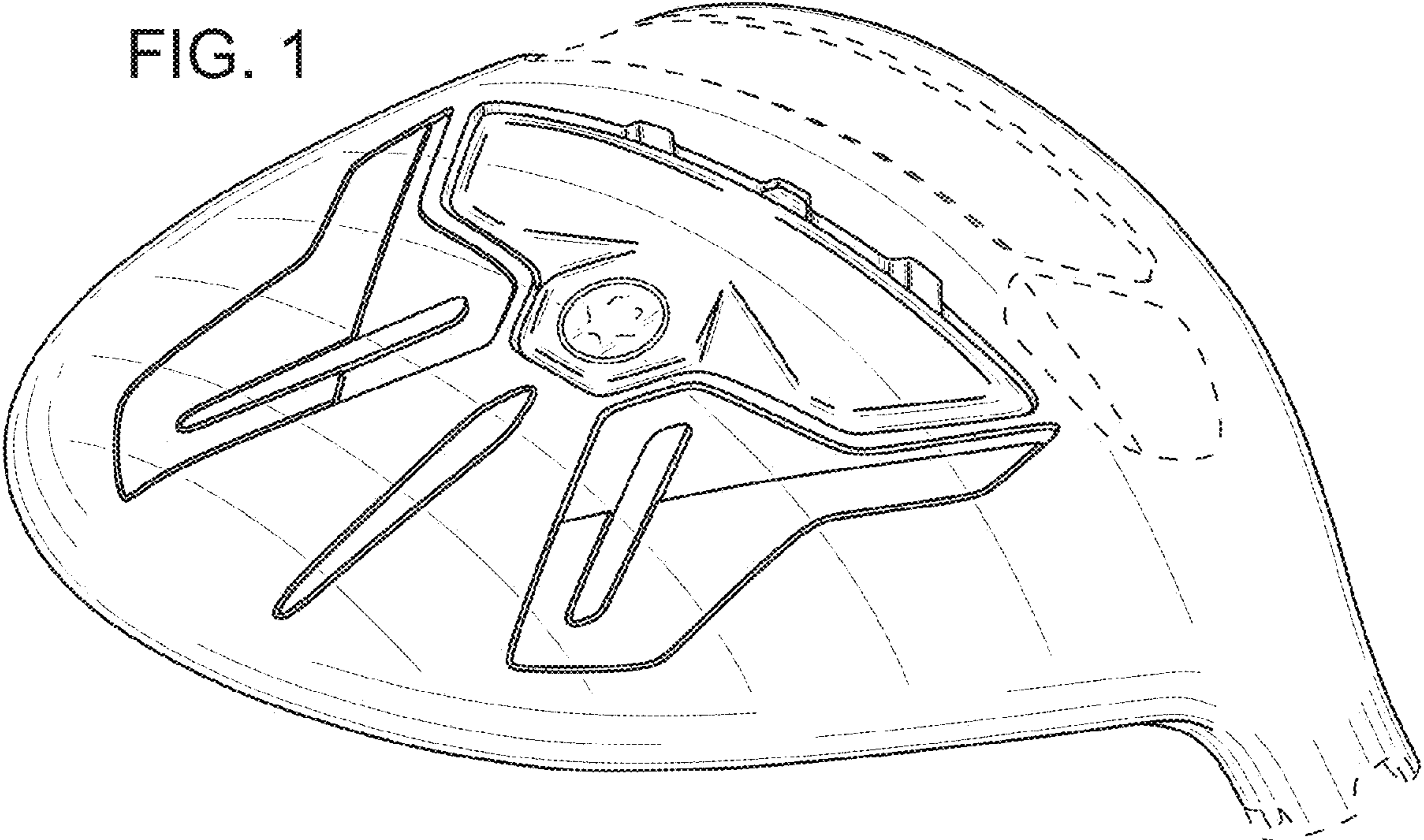


FIG. 2

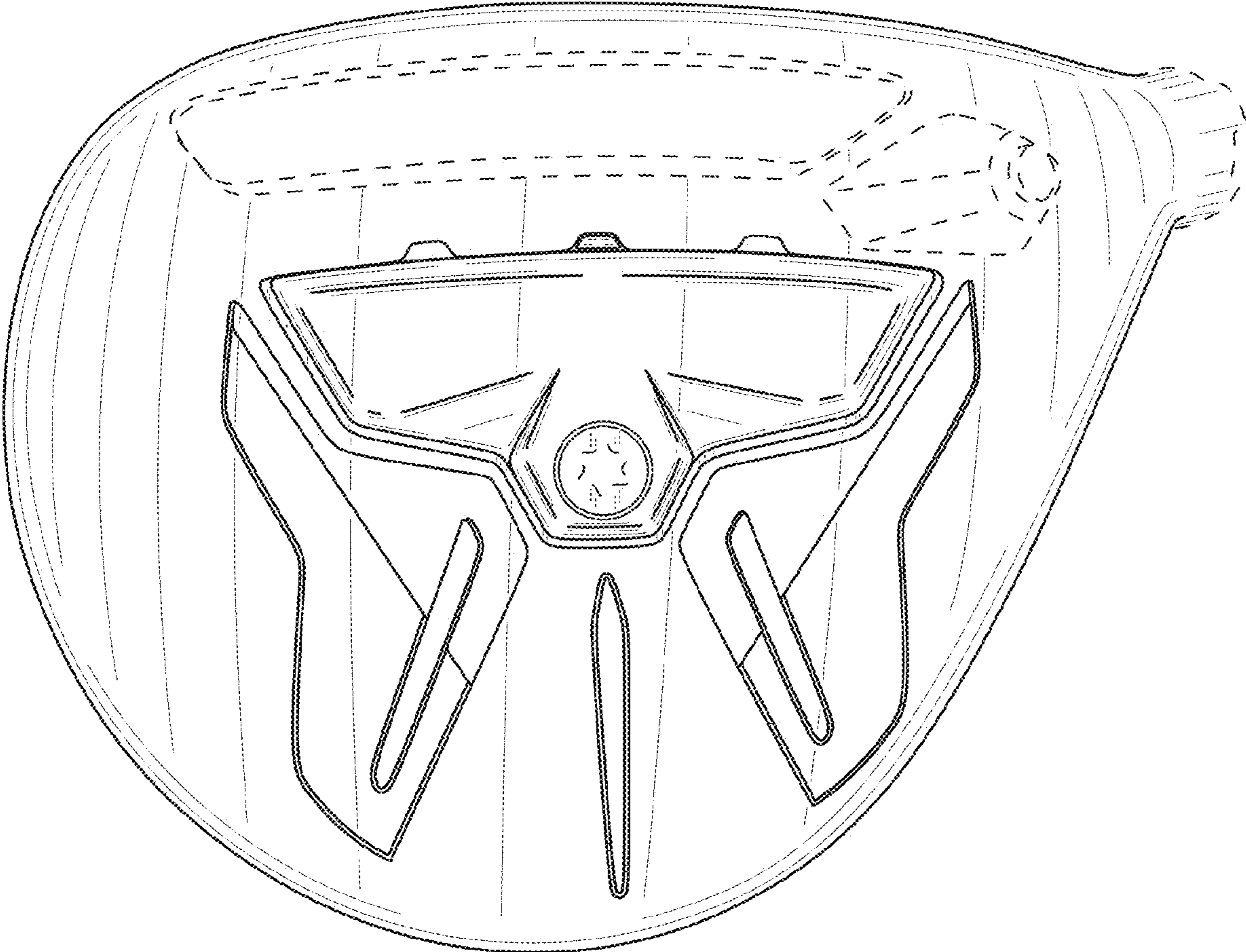


FIG. 3

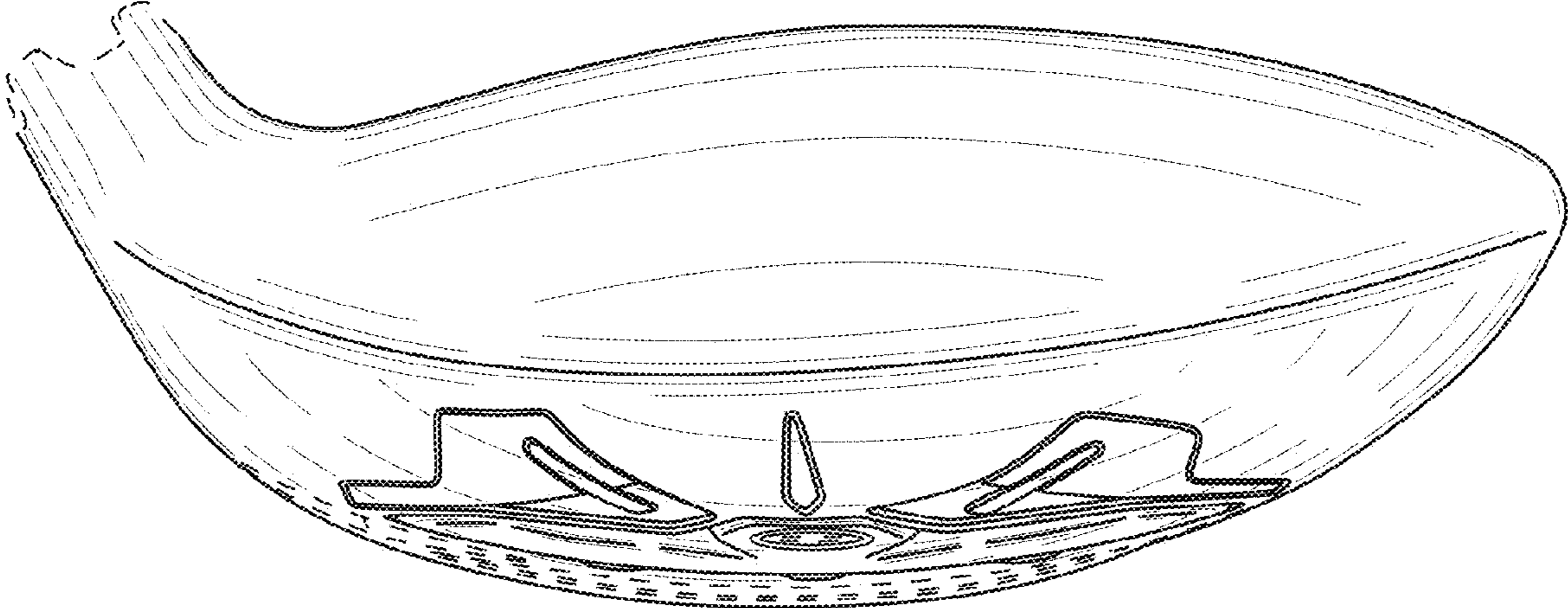


FIG. 4

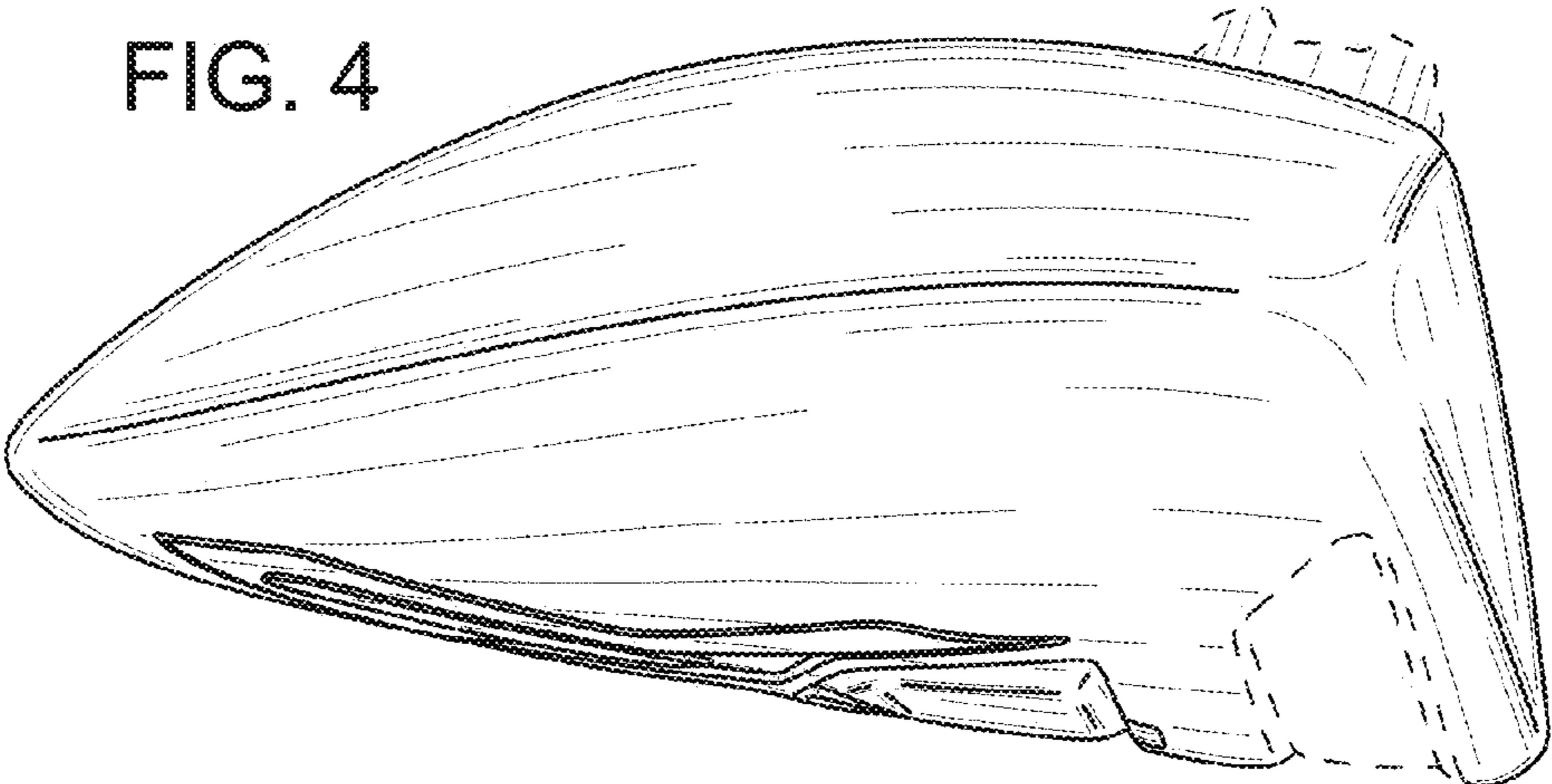


FIG. 5

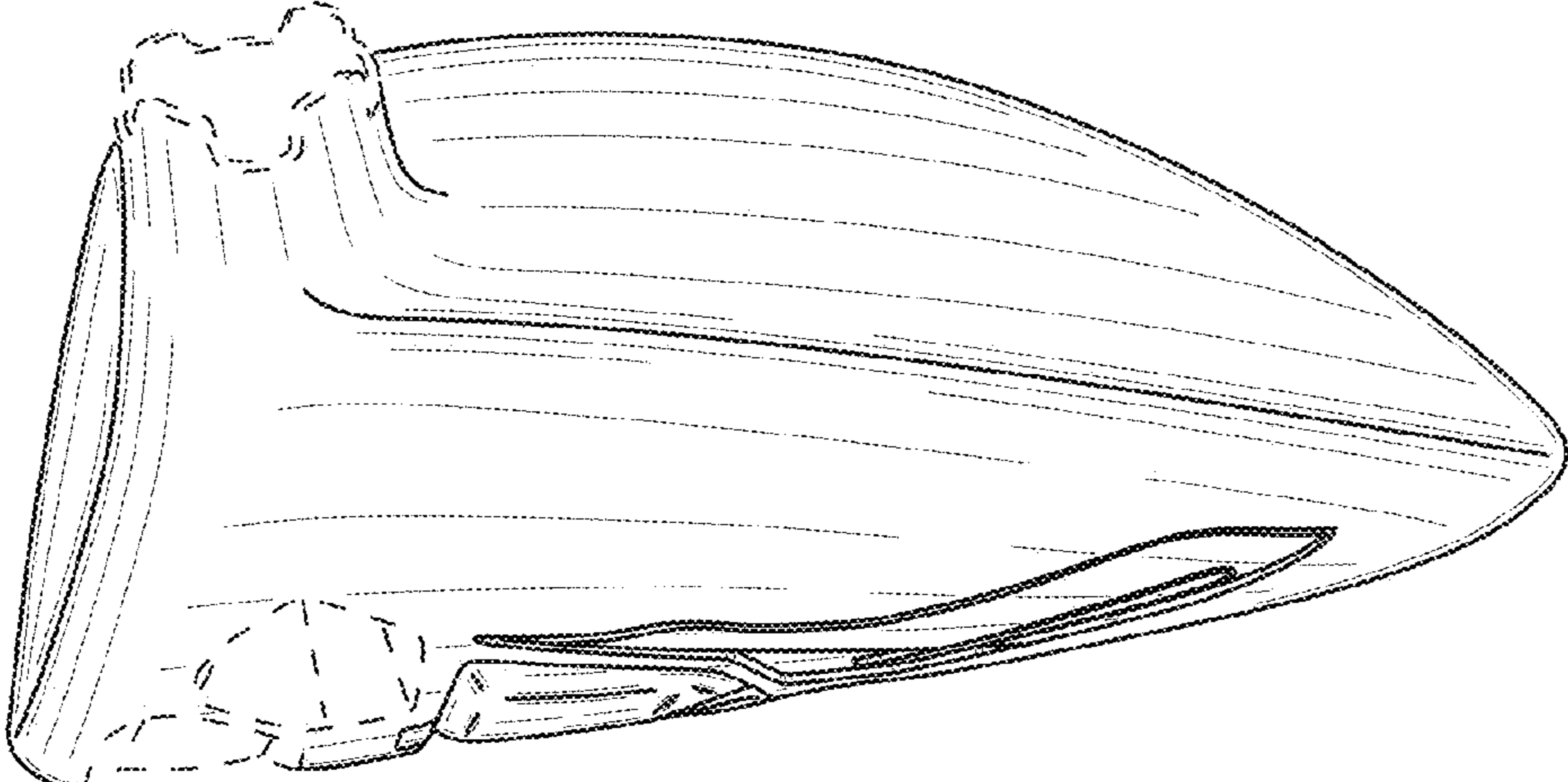


FIG. 6

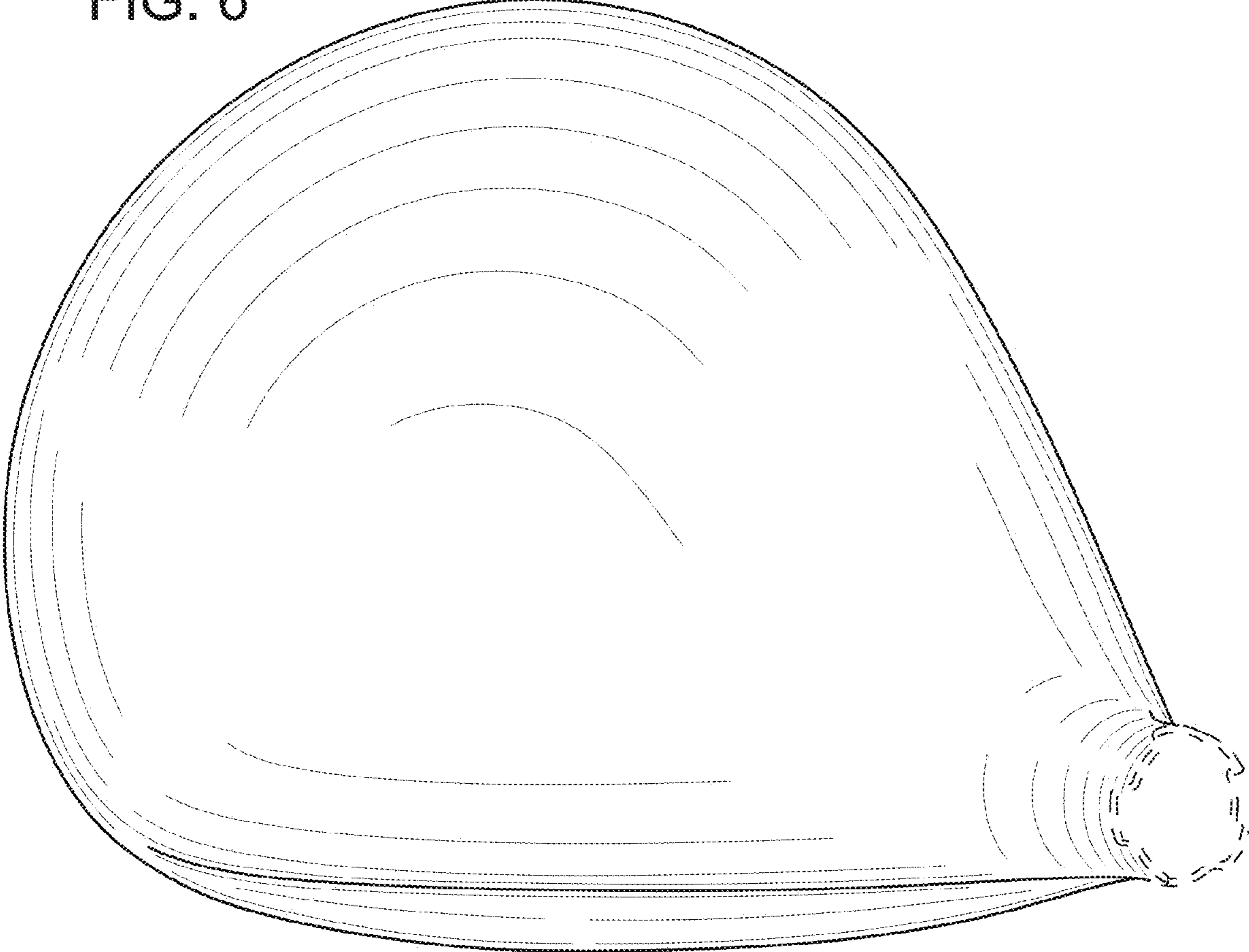


FIG. 7

