



US00D921141S

(12) **United States Design Patent** (10) **Patent No.:** **US D921,141 S**
Wang et al. (45) **Date of Patent:** **** Jun. 1, 2021**

(54) **GOLF CLUB HEAD**
(71) Applicant: **KARSTEN MANUFACTURING CORPORATION**, Phoenix, AZ (US)
(72) Inventors: **Calvin S. Wang**, Chandler, AZ (US); **David A. Higdon**, Cave Creek, AZ (US); **John A. Solheim**, Phoenix, AZ (US)
(73) Assignee: **Karsten Manufacturing Corporation**, Phoenix, AZ (US)

6,893,355 B2 5/2005 Souza
6,896,625 B2 5/2005 Grace
6,902,496 B2 6/2005 Solheim
D507,612 S 7/2005 Souza
6,926,615 B1 8/2005 Souza
6,960,140 B2 11/2005 Solheim
6,966,845 B2 11/2005 Solheim
D513,776 S 1/2006 Grace

(Continued)

FOREIGN PATENT DOCUMENTS

JP 3169560 8/2011

(**) Term: **15 Years**

OTHER PUBLICATIONS

(21) Appl. No.: **29/698,214**

Stina Sternberg, "Hot List 2008—Putters," Golf Digest Feb. 2008 at 158-169 also available at <http://golfdigest.com/equipment/ratings>, CraZ-E.

(22) Filed: **Jul. 15, 2019**

(Continued)

(51) **LOC (13) Cl.** **21-02**

(52) **U.S. Cl.**
USPC **D21/744**

Primary Examiner — Mitchell I. Siegel

(58) **Field of Classification Search**
USPC D21/736–746, 759
CPC A63B 53/00; A63B 53/04; A63B 53/007;
A63B 53/065; A63B 53/0487; A63B
60/00; A63B 60/46

(57) **CLAIM**

The ornamental design for a golf club head, as shown and described.

See application file for complete search history.

DESCRIPTION

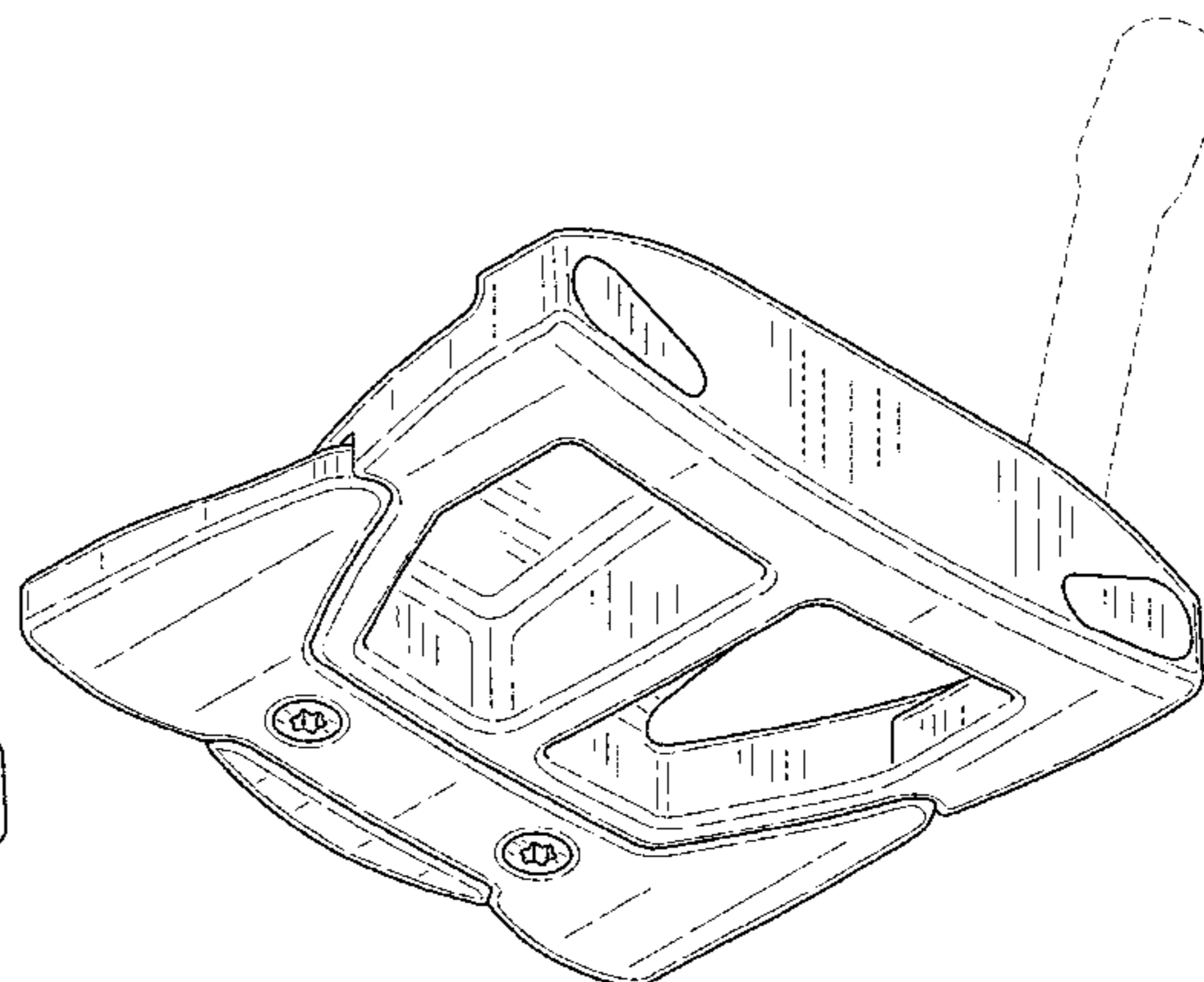
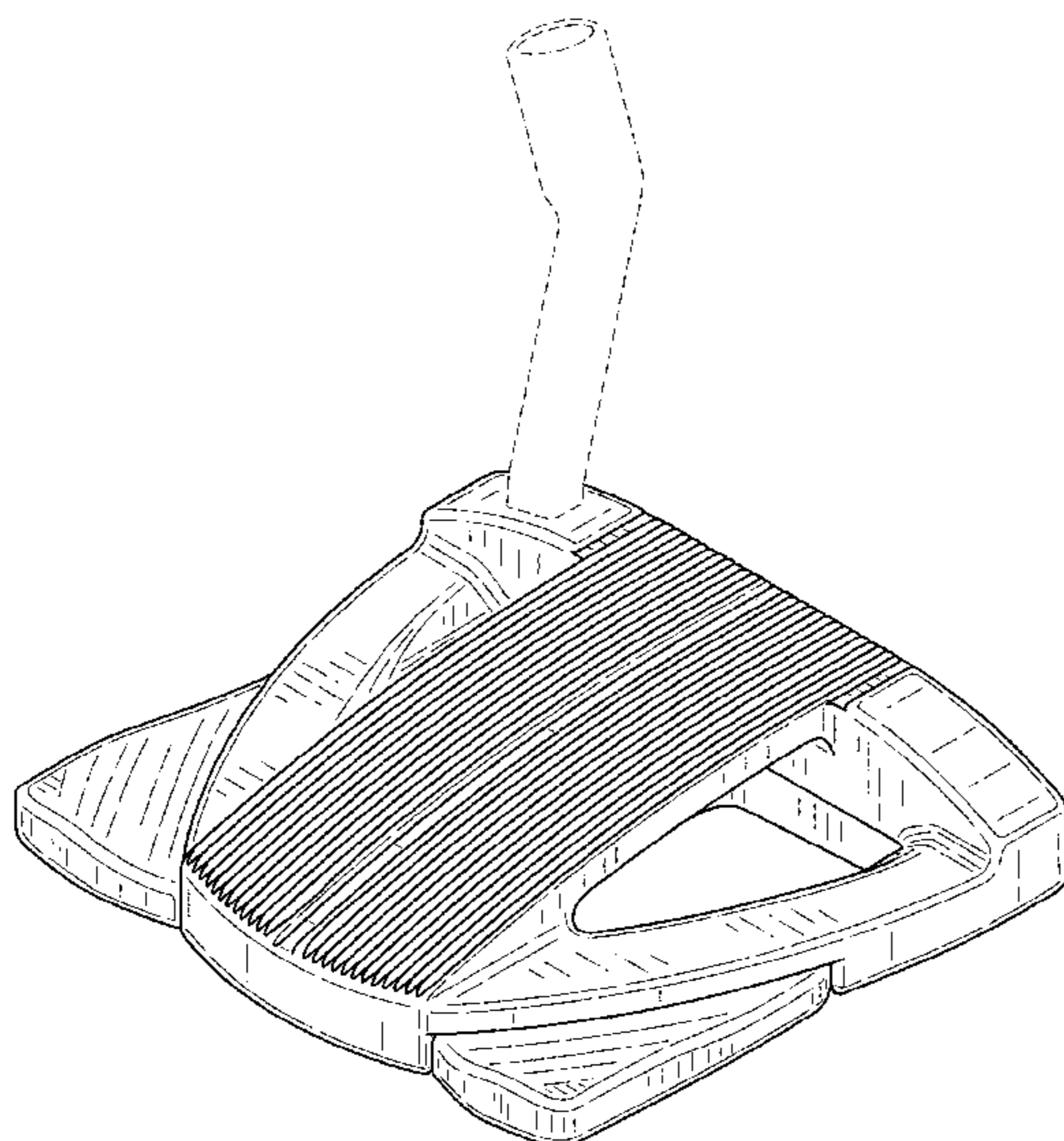
(56) **References Cited**

FIG. 1 is a top perspective view of a golf club head;
FIG. 2 is a bottom perspective view of the golf club head of FIG. 1;
FIG. 3 is a top view of the golf club head of FIG. 1;
FIG. 4 is a bottom view of the golf club head of FIG. 1;
FIG. 5 is a front view of the golf club head of FIG. 1;
FIG. 6 is a rear view of the golf club head of FIG. 1;
FIG. 7 is a heel side view of the golf club head of FIG. 1;
and,
FIG. 8 is a toe side view of the golf club head of FIG. 1.
The broken lines representing the hosel forms no part of the claimed design.

U.S. PATENT DOCUMENTS

3,884,477 A 5/1975 Bianco
D235,668 S 7/1975 Swash
4,030,766 A 6/1977 Derr
D316,129 S 4/1991 Bryson
6,159,108 A 12/2000 De La Pena
6,379,259 B1 4/2002 Opie
D488,200 S 4/2004 Olsavsky et al.
D488,526 S 4/2004 Souza
D500,109 S 12/2004 Solheim
D500,110 S 12/2004 Solheim
6,837,801 B1 1/2005 Souza
D502,236 S 2/2005 Grace
6,878,071 B1 4/2005 Schweigert

1 Claim, 6 Drawing Sheets



(56)

References Cited

U.S. PATENT DOCUMENTS

D520,584 S 5/2006 Karlson
 D521,582 S 5/2006 Souza
 7,048,646 B2 5/2006 Yamanaka et al.
 7,052,411 B2 5/2006 Solheim
 D522,598 S 6/2006 Solheim
 7,077,758 B2 7/2006 Rohrer
 D526,376 S 8/2006 Grace
 7,086,957 B2 8/2006 Solheim
 D527,777 S 9/2006 Solheim
 D528,177 S 9/2006 Grace
 D528,616 S 9/2006 Grace
 D529,108 S 9/2006 Stites
 D533,243 S 12/2006 Fife, Jr.
 7,163,469 B2 1/2007 Bonneau
 7,235,021 B2 6/2007 Solheim
 D548,295 S 8/2007 Jertson
 7,255,650 B2 8/2007 Bryant
 D552,197 S 10/2007 Wells et al.
 D565,137 S 3/2008 Oldknow
 7,354,356 B2 4/2008 Yamanaka et al.
 D569,462 S 5/2008 Rollinson
 7,374,497 B2 5/2008 Brown
 7,438,648 B2 10/2008 Wahl et al.
 D581,473 S 11/2008 Thomas
 D583,003 S 12/2008 Solheim
 D587,325 S 2/2009 Solheim
 D594,073 S 6/2009 Kadoya
 D600,760 S 9/2009 Serrano
 D600,761 S 9/2009 Solheim
 D600,762 S 9/2009 Serrano
 7,601,076 B2 10/2009 Rollinson
 D606,139 S * 12/2009 Ines D21/736
 D607,950 S 1/2010 Souza
 D621,458 S 8/2010 Serrano
 D621,460 S 8/2010 Serrano
 D621,461 S 8/2010 Serrano
 D621,462 S 8/2010 Serrano
 D621,891 S 8/2010 Serrano
 D623,710 S 9/2010 Hilton et al.
 7,803,066 B2 9/2010 Solheim
 D625,764 S 10/2010 Hilton et al.
 7,815,520 B2 10/2010 Frame et al.

D638,891 S 5/2011 Nicolette
 D643,080 S 8/2011 Serrano
 D643,485 S * 8/2011 Nicolette D21/736
 D643,486 S 8/2011 Serrano
 D643,487 S 8/2011 Serrano
 7,993,215 B1 8/2011 Rentz
 D632,748 S 9/2011 Serrano et al.
 D645,104 S 9/2011 Nicolette et al.
 8,100,779 B2 1/2012 Solheim
 D653,718 S 2/2012 Stokke
 8,109,838 B2 2/2012 Solheim
 D664,617 S 7/2012 Serrano
 8,641,556 B2 2/2014 Kuan et al.
 D715,388 S 10/2014 Serrano
 9,144,717 B2 9/2015 Franklin et al.
 9,220,960 B2 * 12/2015 Schartiger A63B 53/10
 9,694,259 B2 7/2017 Trahan et al.
 9,782,645 B2 10/2017 Dolezel
 D824,462 S * 7/2018 Bruschi D21/736
 10,029,160 B2 7/2018 Stites et al.
 D835,217 S * 12/2018 Nicolette D21/736
 D837,911 S * 1/2019 Bruschi D21/736
 D844,085 S * 3/2019 Nicolette D21/743
 D859,545 S * 9/2019 Long D21/736
 D877,831 S * 3/2020 Cameron D21/736
 D892,243 S * 8/2020 Rollinson D21/743
 D892,956 S * 8/2020 Clarke D21/744
 D895,037 S * 9/2020 Clarke D21/736
 D896,328 S * 9/2020 Clarke D21/743
 D898,848 S * 10/2020 Clarke D21/743
 D907,730 S * 1/2021 Rollinson D21/759
 2006/0094533 A1 5/2006 Warren et al.
 2007/0191135 A1 8/2007 Nilsson et al.
 2007/0293346 A1 * 12/2007 Rollinson A63B 53/0487
 473/340
 2010/0227704 A1 9/2010 Souza et al.

OTHER PUBLICATIONS

Stina Sternberg, "Hot List 2008—Putters," Golf Digest Feb. 2008 at 158-169 also available at <http://golfdigest.com/equipment/ratings>, Profound Putter.

* cited by examiner

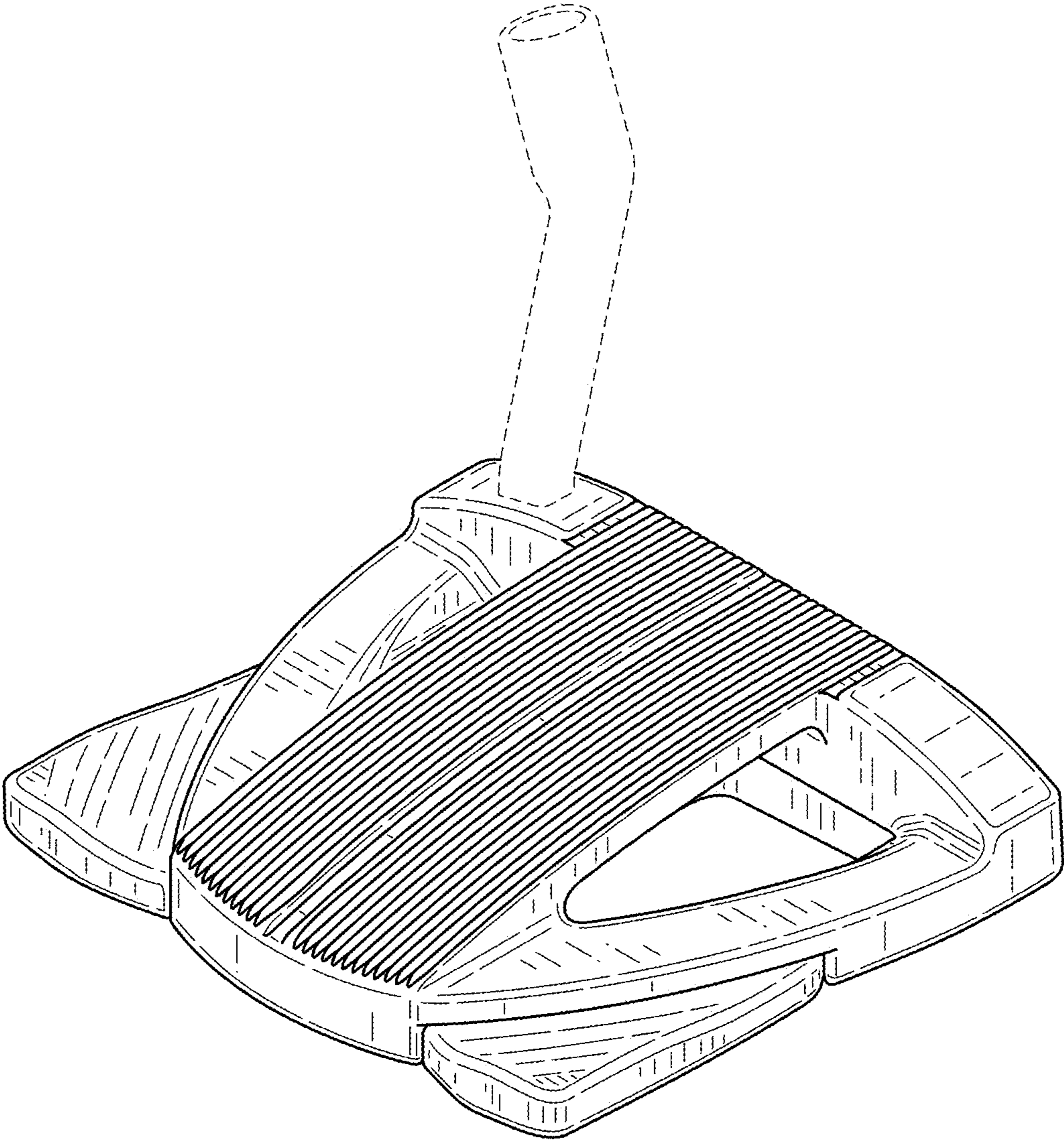


FIG. 1

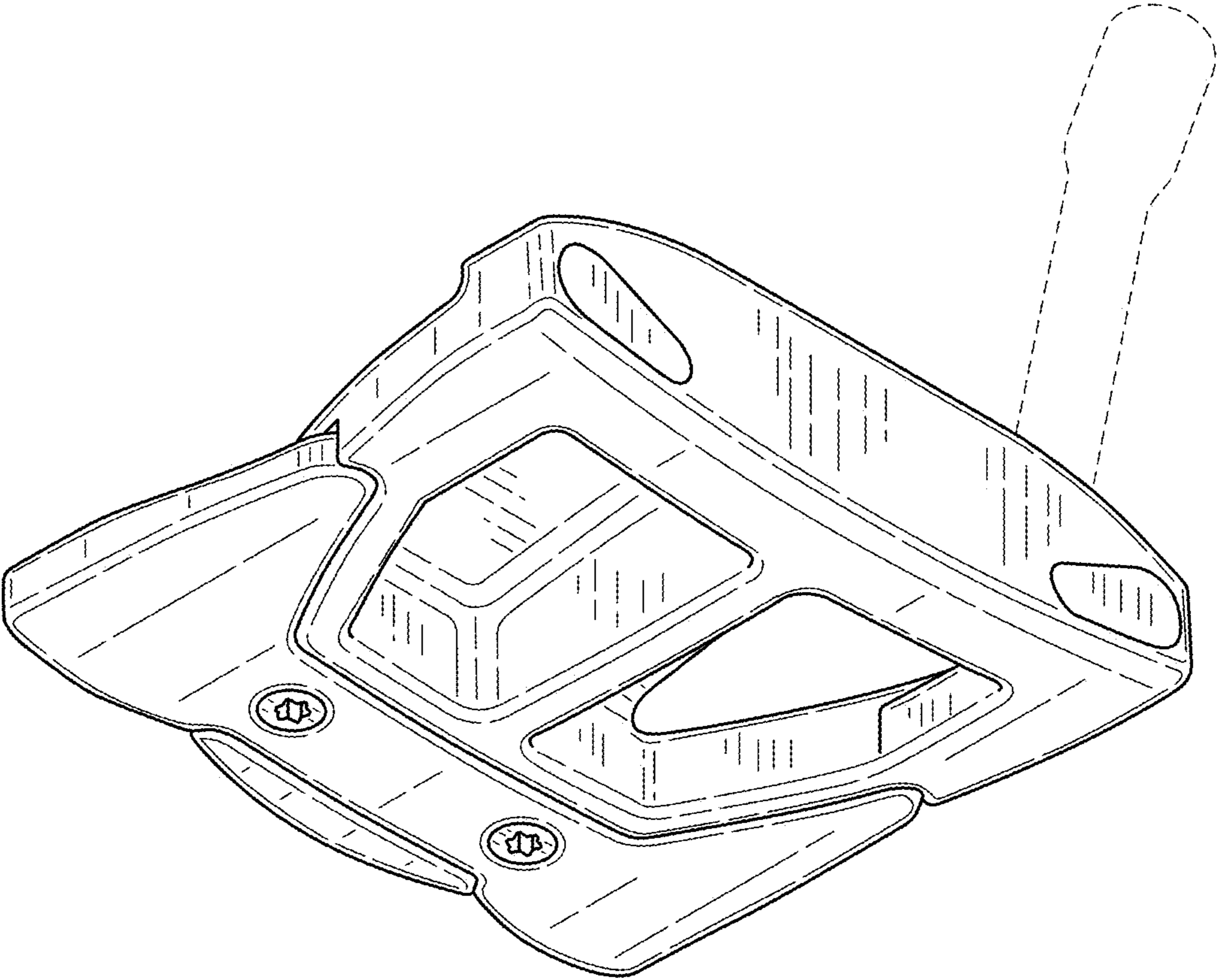


FIG. 2

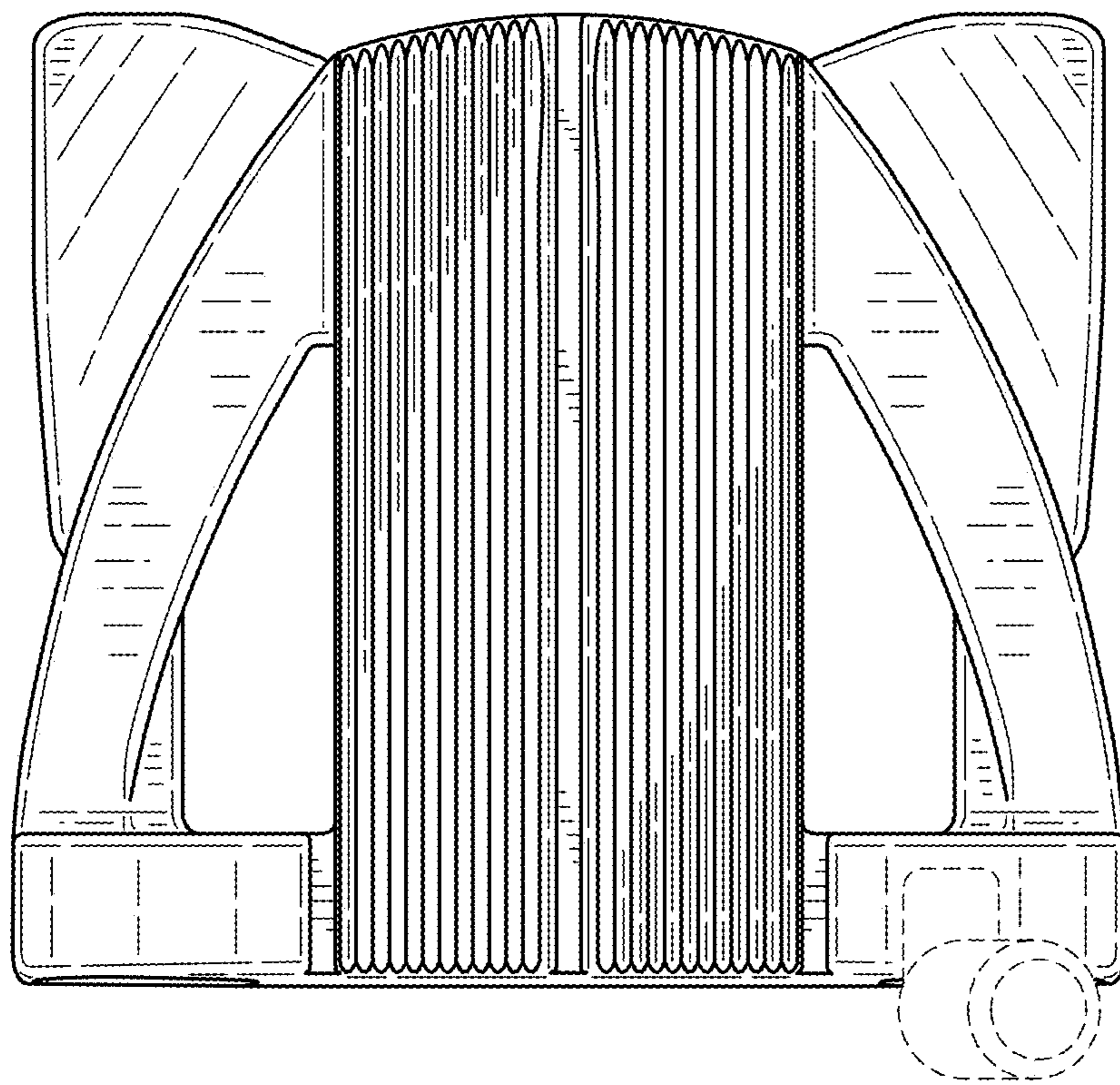


FIG. 3

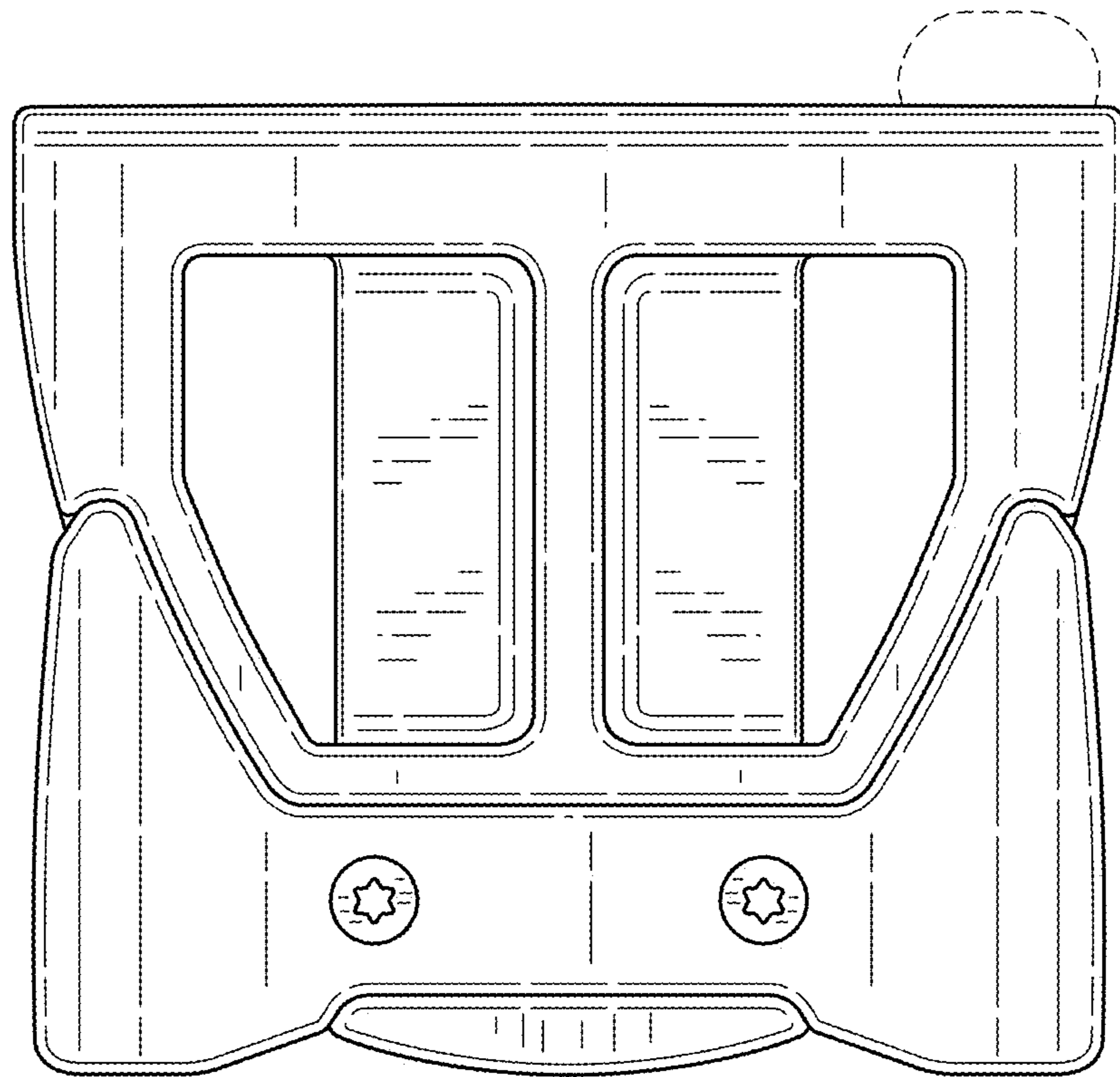


FIG. 4

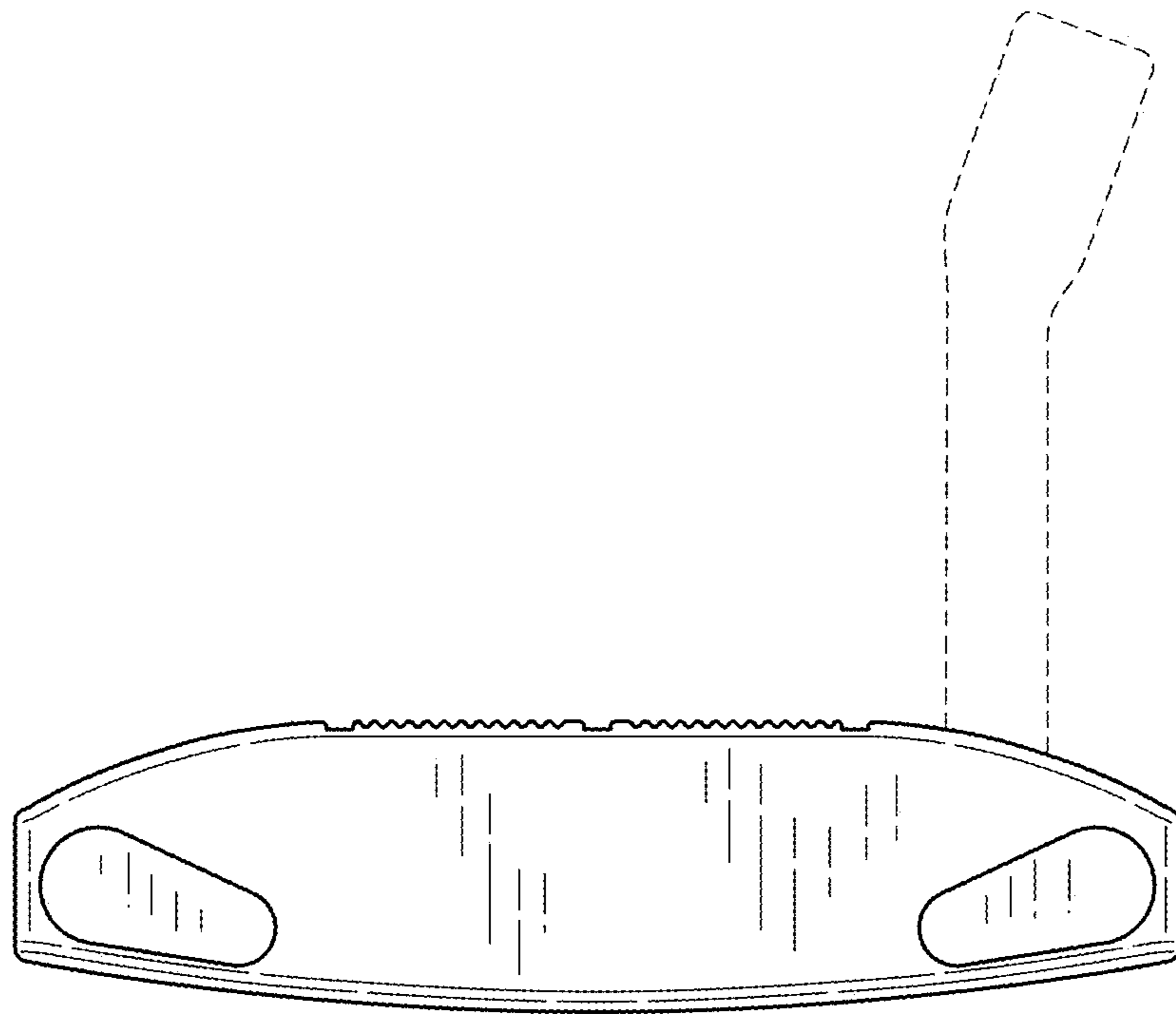


FIG. 5

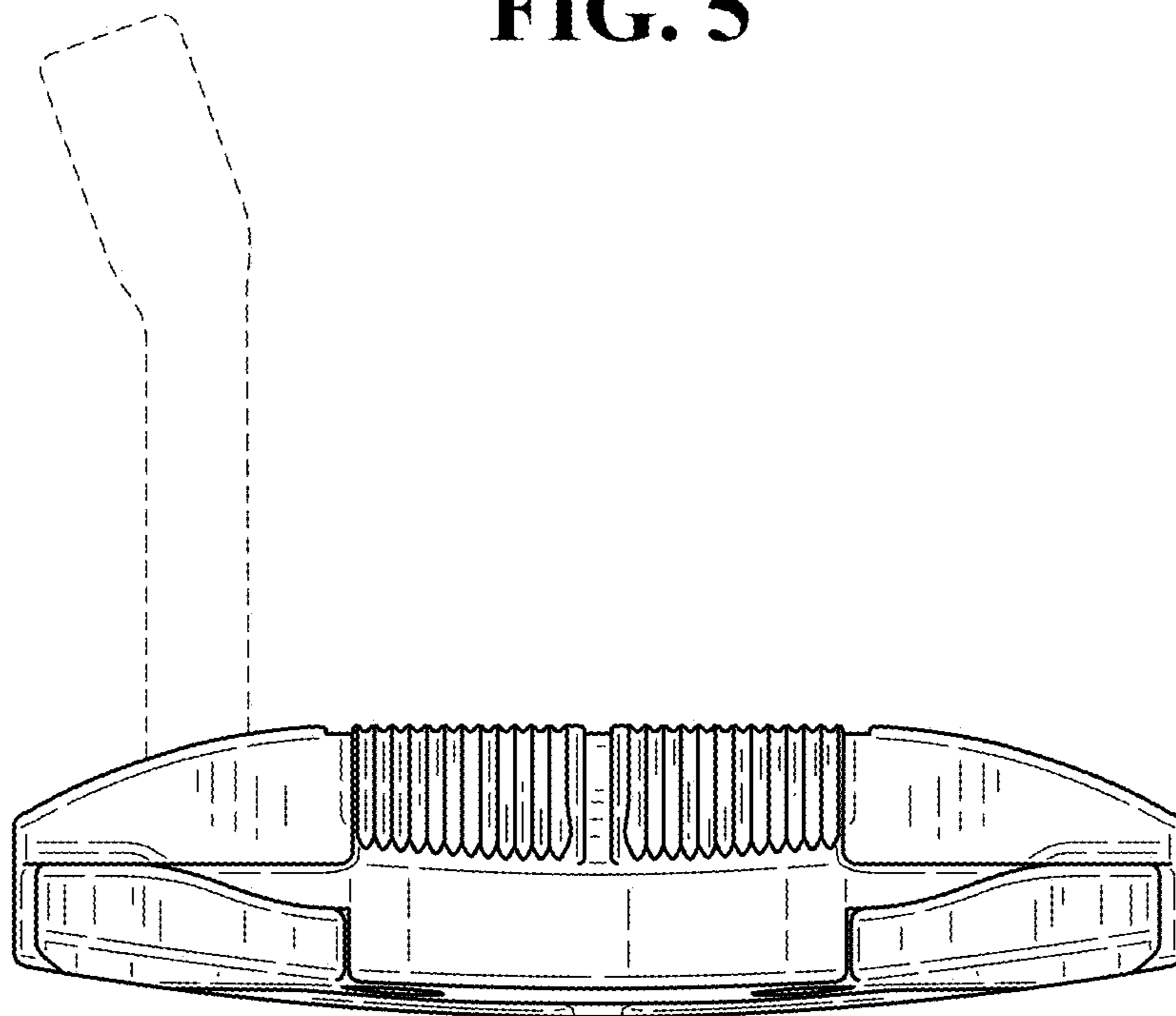


FIG. 6

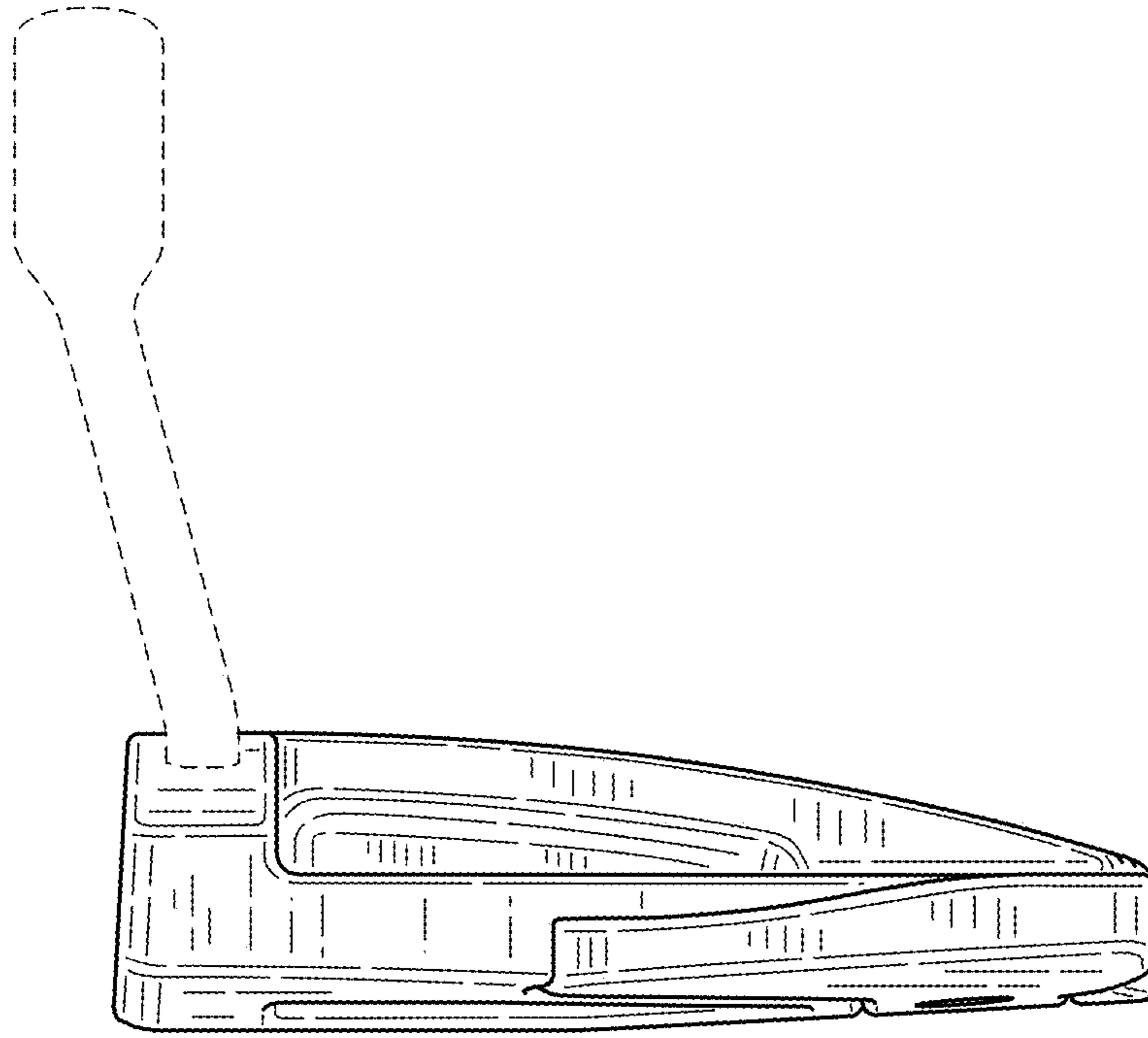


FIG. 7

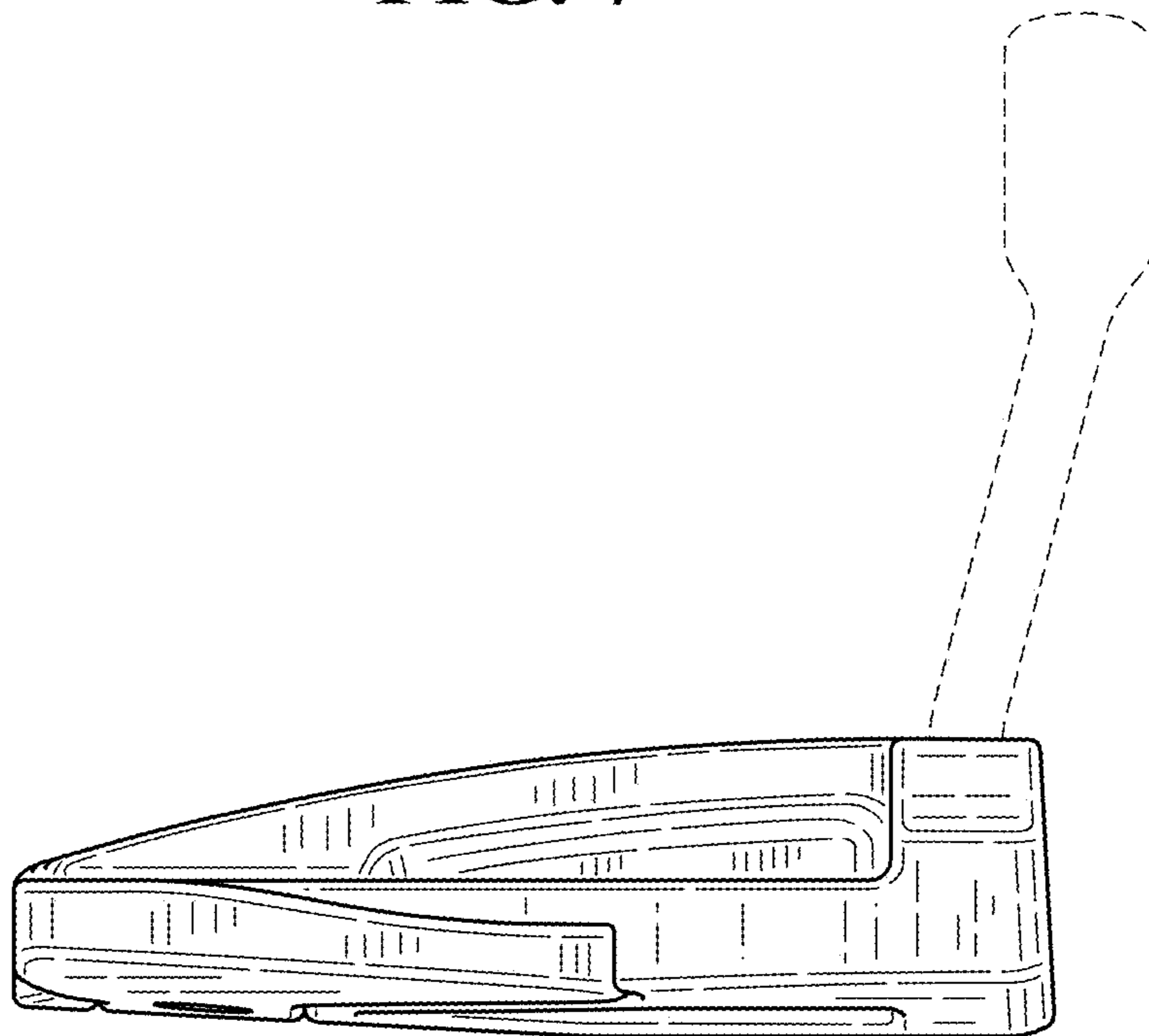


FIG. 8