



US00D921138S

(12) **United States Design Patent**
Sulisz

(10) **Patent No.:** **US D921,138 S**
(45) **Date of Patent:** **** Jun. 1, 2021**

(54) **BALL TEE**

(71) Applicant: **Christian Sulisz**, Kenmore (AU)

(72) Inventor: **Christian Sulisz**, Kenmore (AU)

(**) Term: **15 Years**

(21) Appl. No.: **29/671,316**

(22) Filed: **Nov. 26, 2018**

(30) **Foreign Application Priority Data**

Sep. 8, 2018 (AU) 201815435

(51) **LOC (13) Cl.** **21-02**

(52) **U.S. Cl.**

USPC **D21/717**

(58) **Field of Classification Search**

USPC D21/302, 303, 309, 466, 698, 699, 700,
D21/706, 715-717, 719, 780, 781, 785,
D21/787, 789-791, 794, 796, 799.1;
D6/708.2, 708.25, 710, 712, 552;
D8/374, 375, 400; D10/46.1, 113.2,
D10/114.6; D25/38.1, 126, 128, 129,
D25/131, 133, 135; D11/130.1, 181, 182;
D26/9, 22, 23, 93, 96, 110, 113, 138,
D26/142, 149, 153; 473/410, 411, 417,
473/422, 423, 429, 434, 446, 467, 471,
473/476, 492

CPC A63B 57/10; A63B 57/20; A63B 57/203;
A63B 57/40; A63B 57/405; A63B 61/02;
A63B 63/00; A63B 63/003; A63B

(Continued)

(56) **References Cited**

U.S. PATENT DOCUMENTS

979,313 A * 12/1910 King et al. A63B 57/357
473/177

D65,438 S * 8/1924 Howell D26/149

(Continued)

FOREIGN PATENT DOCUMENTS

CA 2890786 A1 * 11/2015 A63B 69/3676
GB 2106717 * 1/2002
GB 4022591 * 12/2011

Primary Examiner — Catherine A Tuttle

(74) *Attorney, Agent, or Firm* — Bill R. Naifeh

(57) **CLAIM**

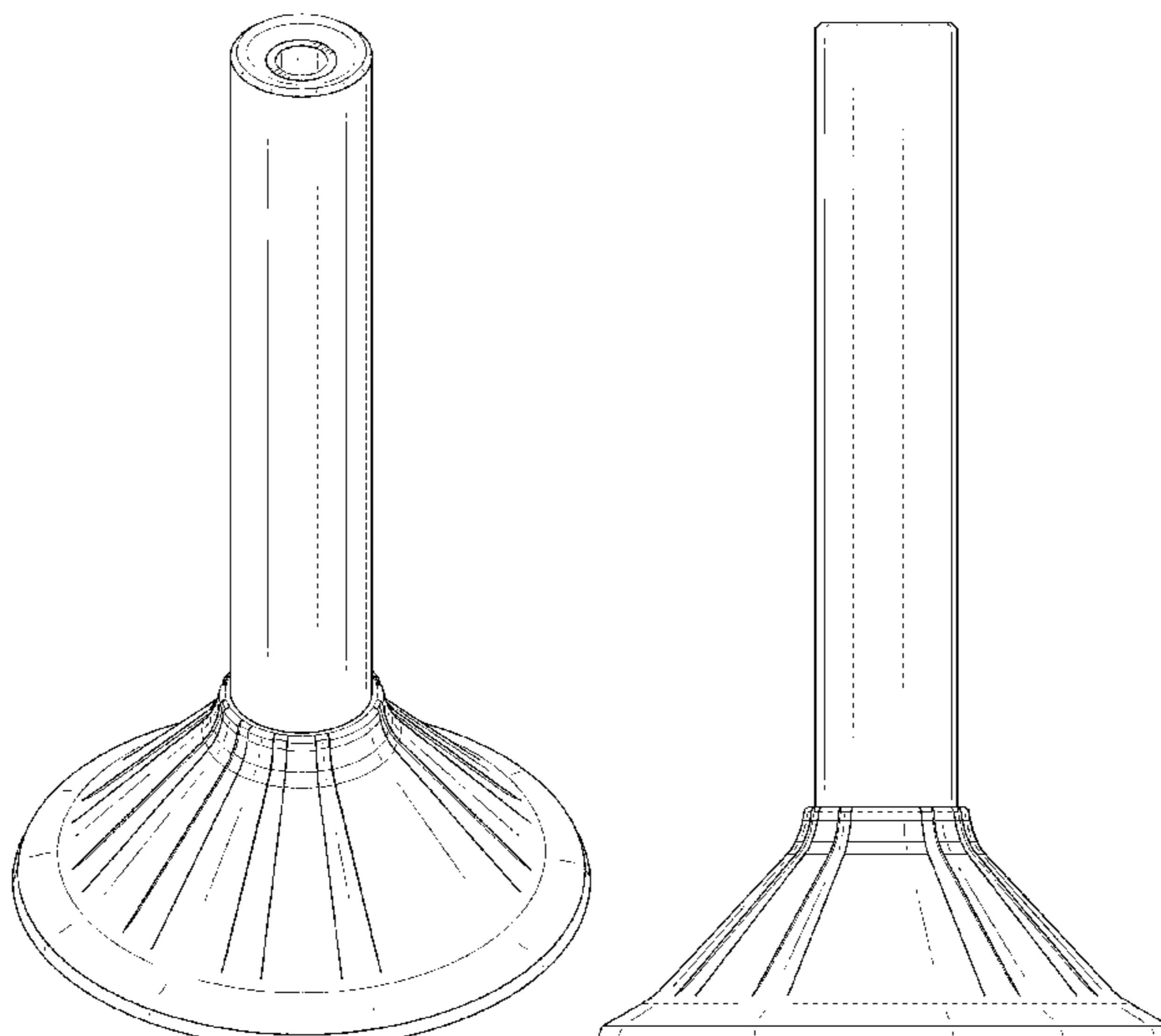
I claim the ornamental design for the ball tee, substantially as shown and described.

DESCRIPTION

FIG. 1 is a front perspective view showing a first embodiment of my new design for the ball tee;
FIG. 2 is a front elevation view thereof;
FIG. 3 is a back elevation view thereof;
FIG. 4 is a right side elevation view thereof;
FIG. 5 is a left side elevation view thereof;
FIG. 6 is a top view thereof;
FIG. 7 is a bottom view thereof;
FIG. 8 is a front perspective view showing a second embodiment of my new design for the ball tee;
FIG. 9 is a front elevation view thereof;
FIG. 10 is a back elevation view thereof;
FIG. 11 is a right side elevation view thereof;
FIG. 12 is a left side elevation view thereof;
FIG. 13 is a top view thereof;
FIG. 14 is a bottom view thereof;
FIG. 15 is a front perspective view showing a third embodiment of my new design for the ball tee;
FIG. 16 is a front elevation view thereof;
FIG. 17 is a back elevation view thereof;
FIG. 18 is a right side elevation view thereof;
FIG. 19 is a left side elevation view thereof;
FIG. 20 is a top view thereof; and,
FIG. 21 is a bottom view thereof.

The dashed lines in FIGS. 7, 15 and 21 represent the bottom surface portions that form no part of the claimed design.

1 Claim, 21 Drawing Sheets



(58) **Field of Classification Search**

CPC 2063/001; A63B 69/00; A63B 69/0015;
 A63B 69/0073; A63B 69/0075; A63B
 69/0079; A63B 69/0084; A63B 69/0097;
 A63B 2069/008; A63B 71/00; A63B
 71/023; A63B 71/028; A63B 71/03; A63B
 2071/026; A63B 69/002; A63B 69/3617;
 A63B 69/3676; A63B 69/40

See application file for complete search history.

(56) **References Cited**

U.S. PATENT DOCUMENTS

1,784,818 A * 12/1930 Bump A63B 63/00
 473/410
 2,836,422 A * 5/1958 Borah A63B 71/04
 473/187
 2,976,041 A * 3/1961 White A63B 69/0075
 473/417
 3,858,878 A * 1/1975 Tassone A63B 69/0075
 473/417
 4,109,910 A * 8/1978 Gleason A63B 71/023
 473/479
 5,971,398 A * 10/1999 Broussard A63B 69/34
 273/408
 D486,240 S * 2/2004 Collins D25/38.1
 7,357,760 B1 * 4/2008 Rios A63B 69/004
 473/444
 D581,304 S * 11/2008 Phillips D10/113.2
 7,704,194 B1 * 4/2010 Chen A63B 69/208
 482/87

7,766,799 B1 * 8/2010 Chen A63B 69/208
 482/85
 8,740,716 B1 * 6/2014 Mallonee A63B 57/405
 473/177
 D749,684 S * 2/2016 Holland D21/706
 D820,363 S * 6/2018 Su D21/717
 2005/0192126 A1 * 9/2005 Remaklus A63B 67/02
 473/447
 2006/0079350 A1 * 4/2006 Lu A63B 57/10
 473/387
 2007/0272011 A1 * 11/2007 Chapa, Jr. A63B 24/0006
 73/379.01
 2008/0015058 A1 * 1/2008 Noble A63B 71/0669
 473/423
 2009/0093325 A1 * 4/2009 Meltzer A63B 63/06
 473/454
 2009/0264263 A1 * 10/2009 Yang A63B 69/20
 482/85
 2013/0085044 A1 * 4/2013 Chen A63B 69/20
 482/87
 2013/0210554 A1 * 8/2013 Carlson A63B 69/0002
 473/417
 2013/0324372 A1 * 12/2013 Cuadrado A63B 69/20
 482/90
 2013/0331235 A1 * 12/2013 Fields A63B 69/208
 482/83
 2014/0038739 A1 * 2/2014 Chiang A63B 57/10
 473/278
 2016/0090702 A1 * 3/2016 Peacock A63C 19/062
 116/63 C
 2016/0123522 A1 * 5/2016 Hahn E04H 12/2269
 248/523
 2018/0126242 A1 * 5/2018 Sulisz A63B 69/0015

* cited by examiner

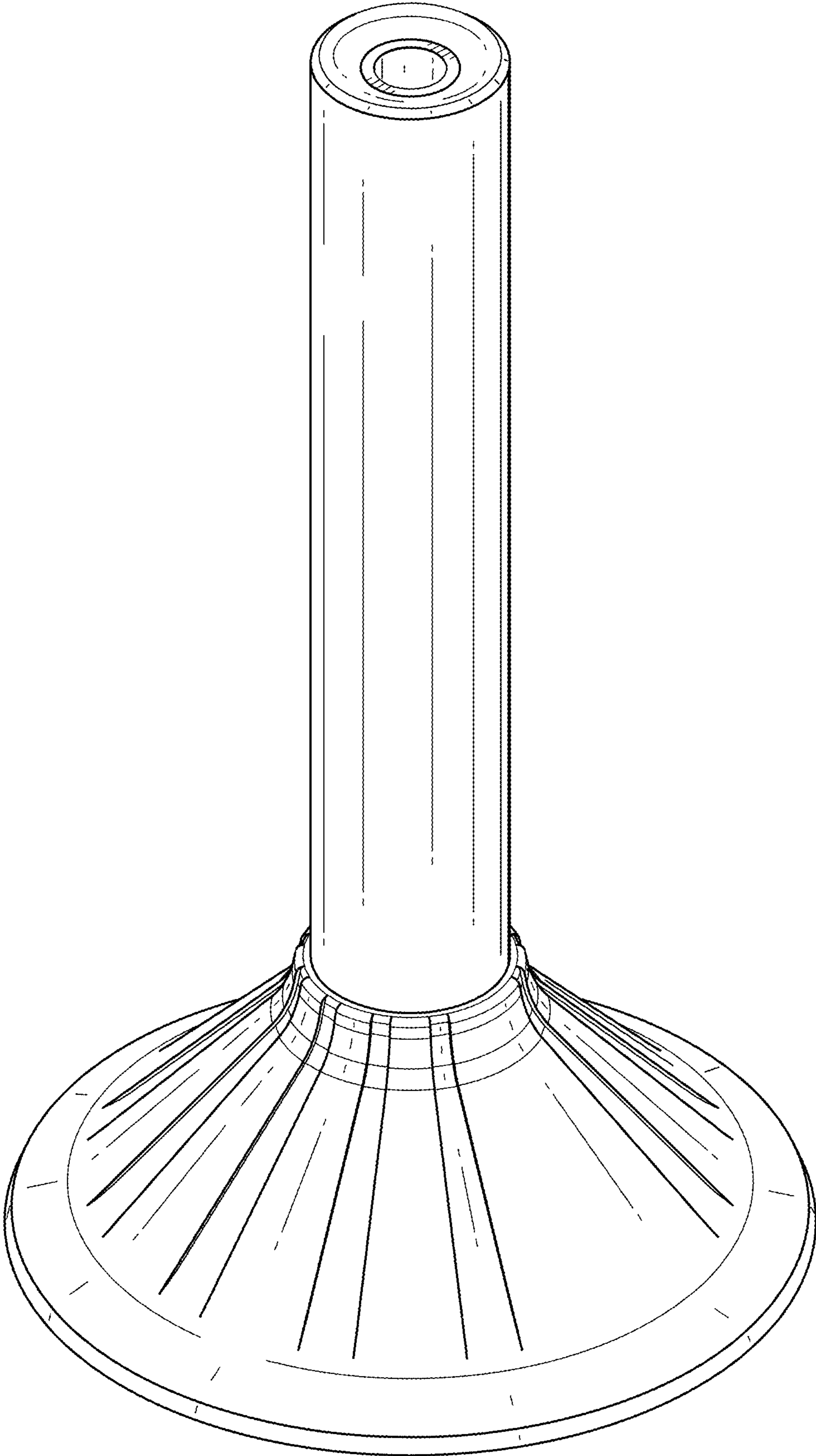


FIG. 1

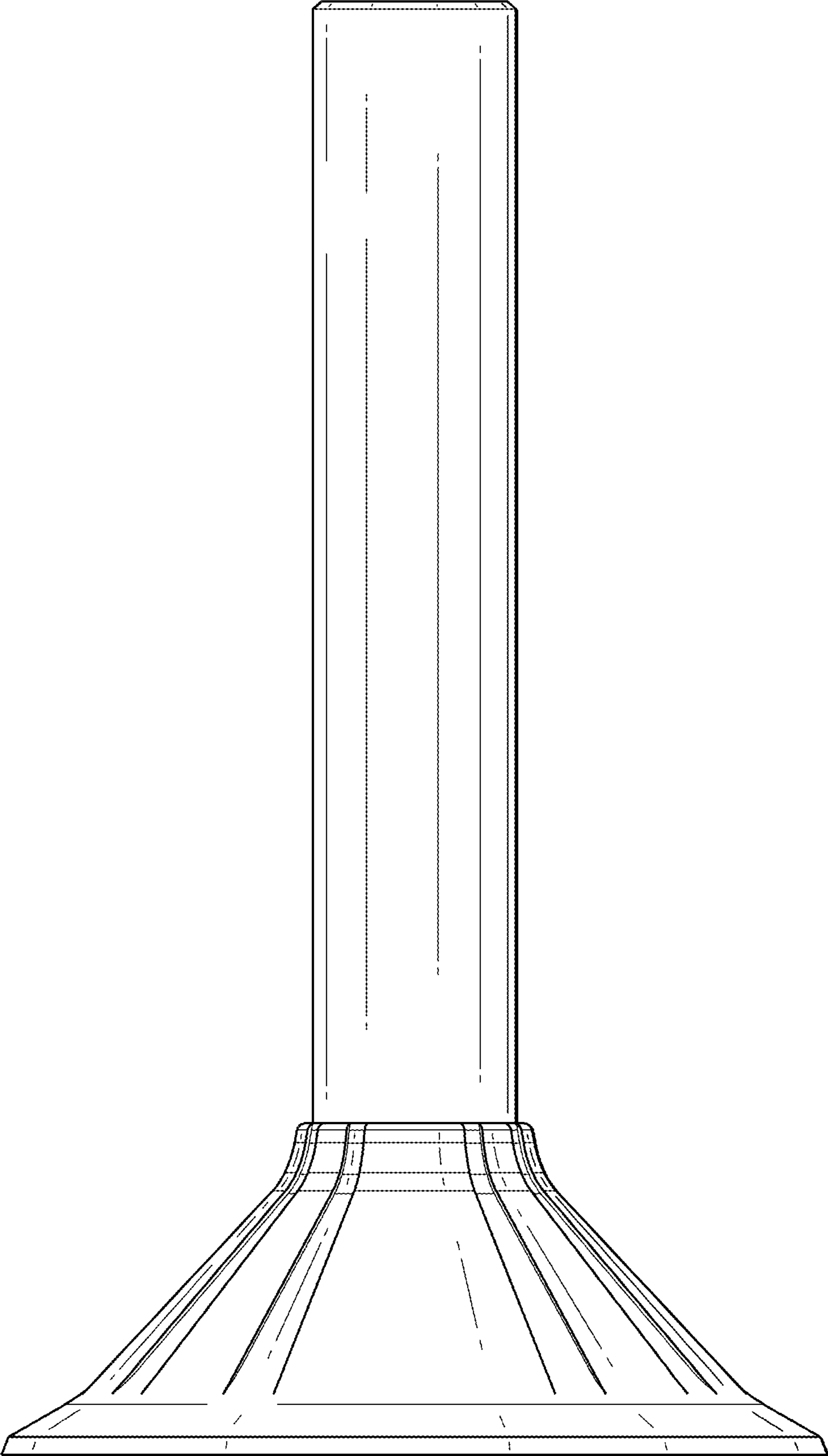


FIG. 2

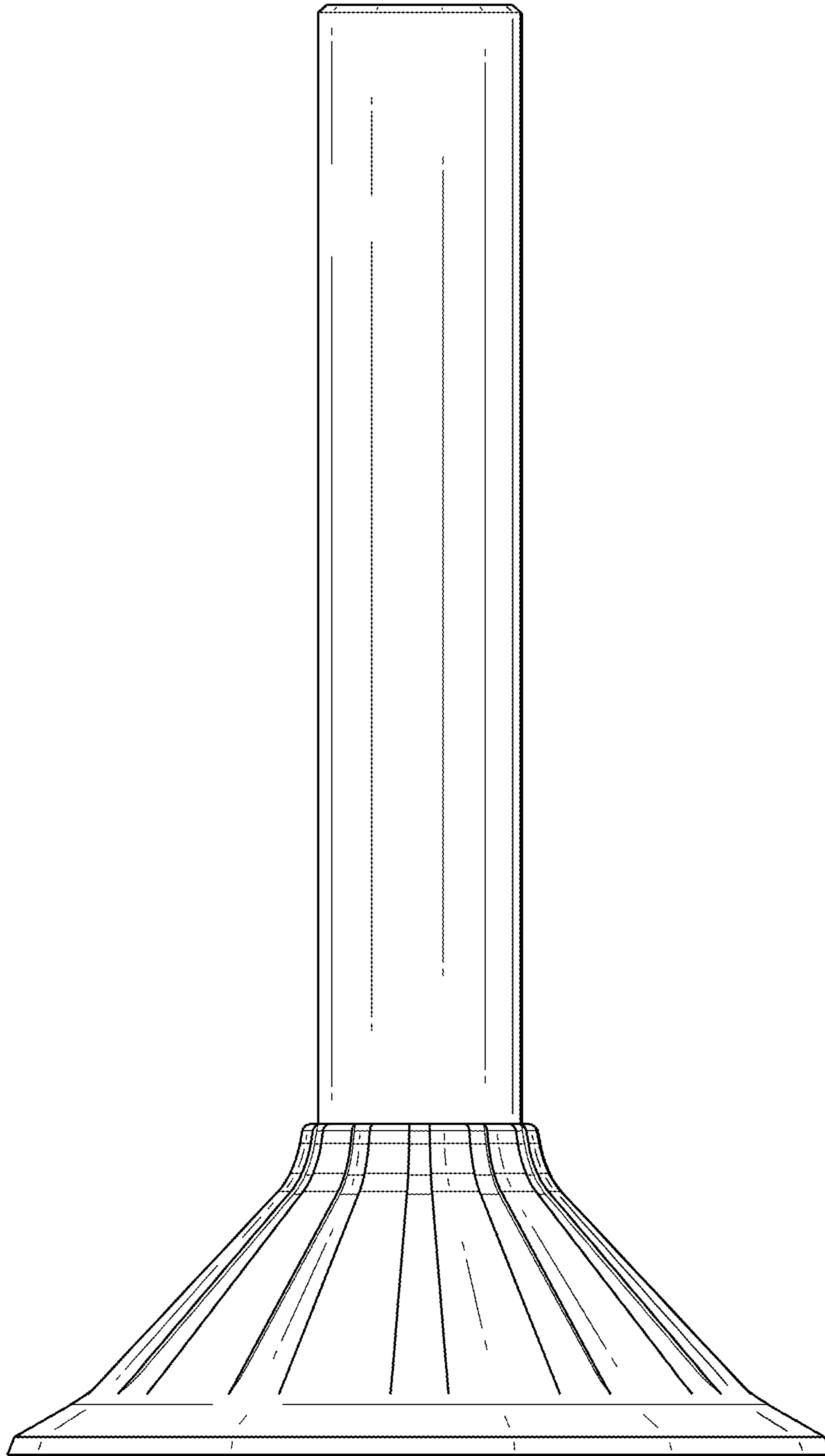


FIG. 3

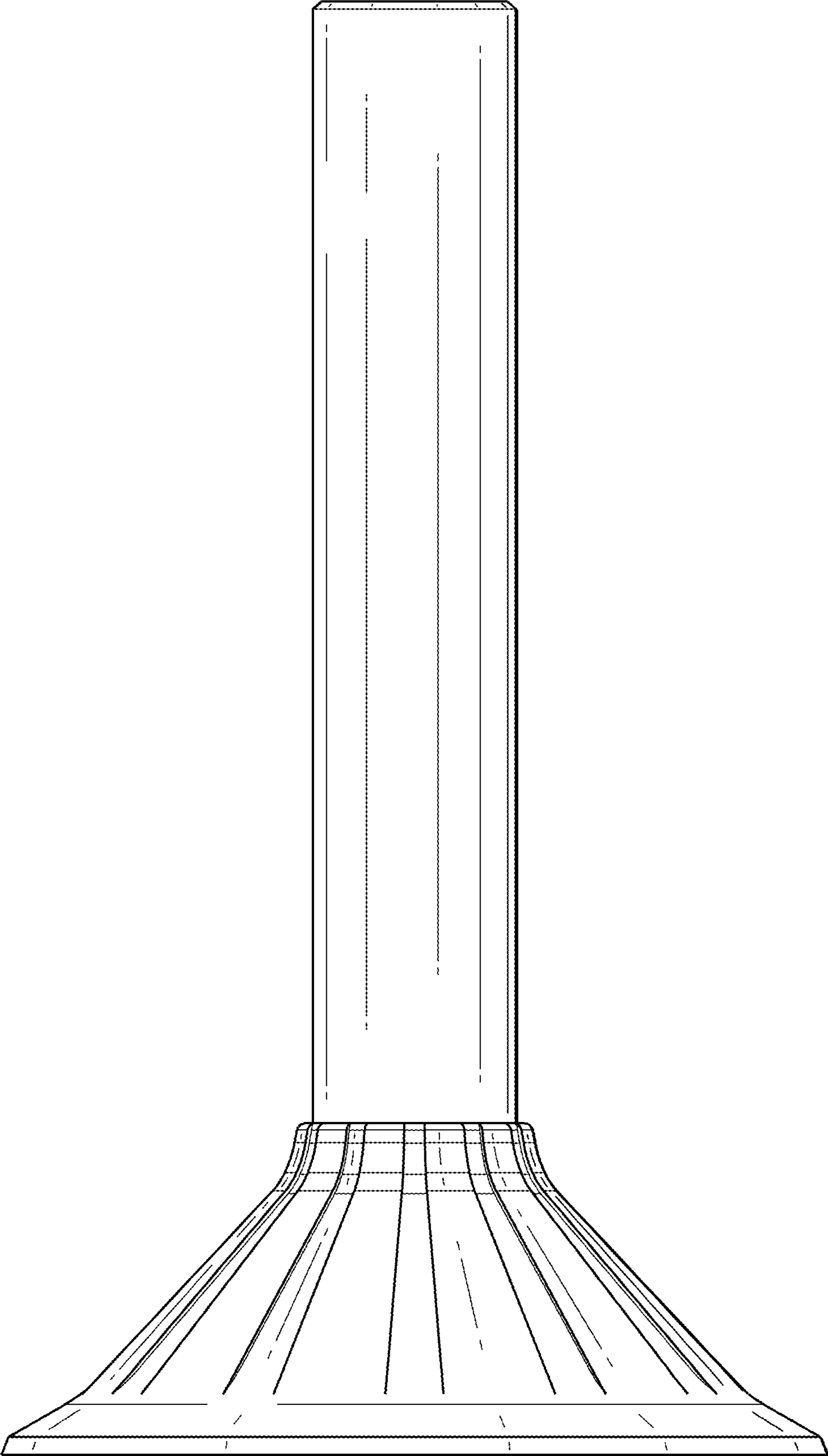


FIG. 4

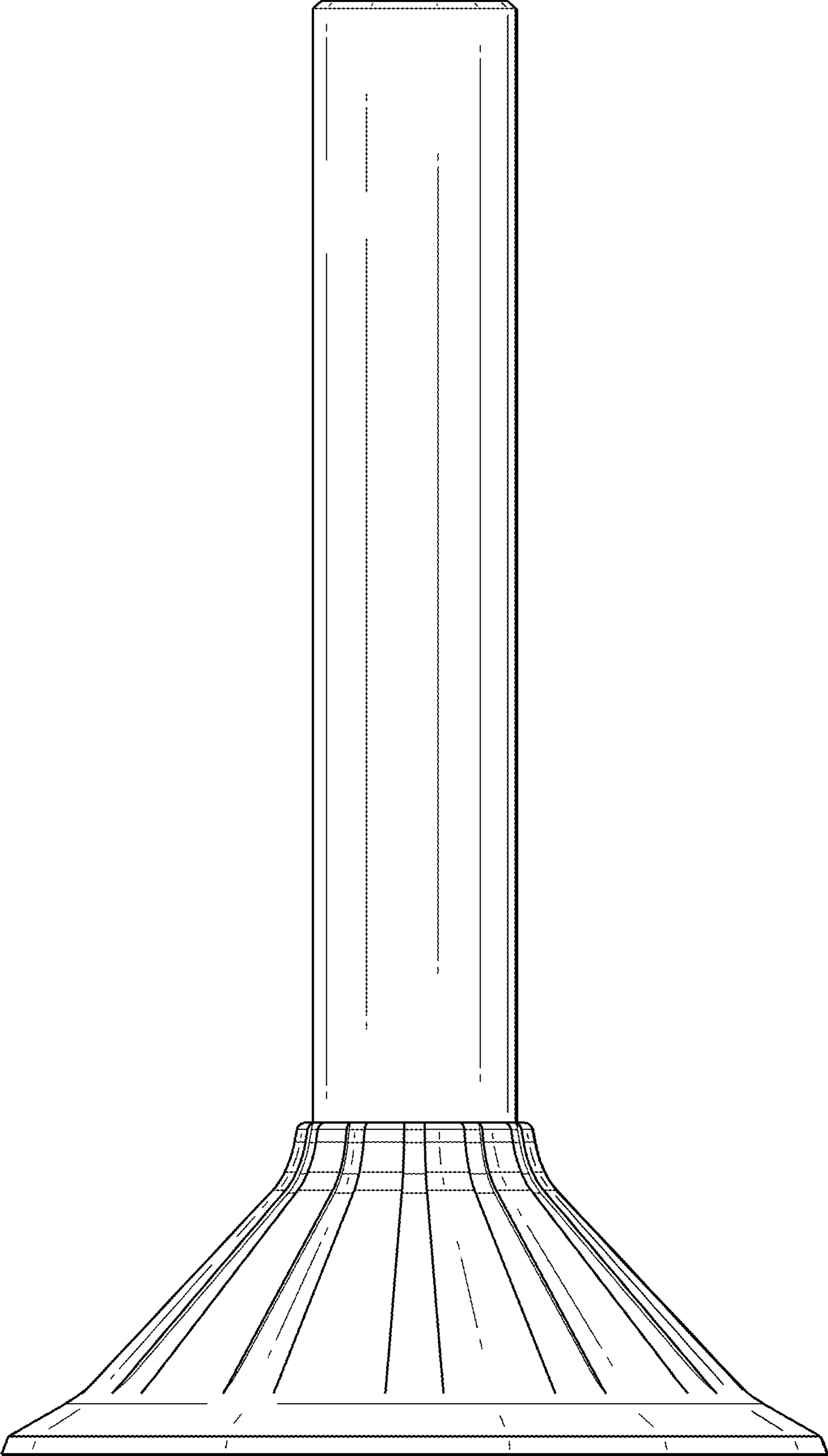


FIG. 5

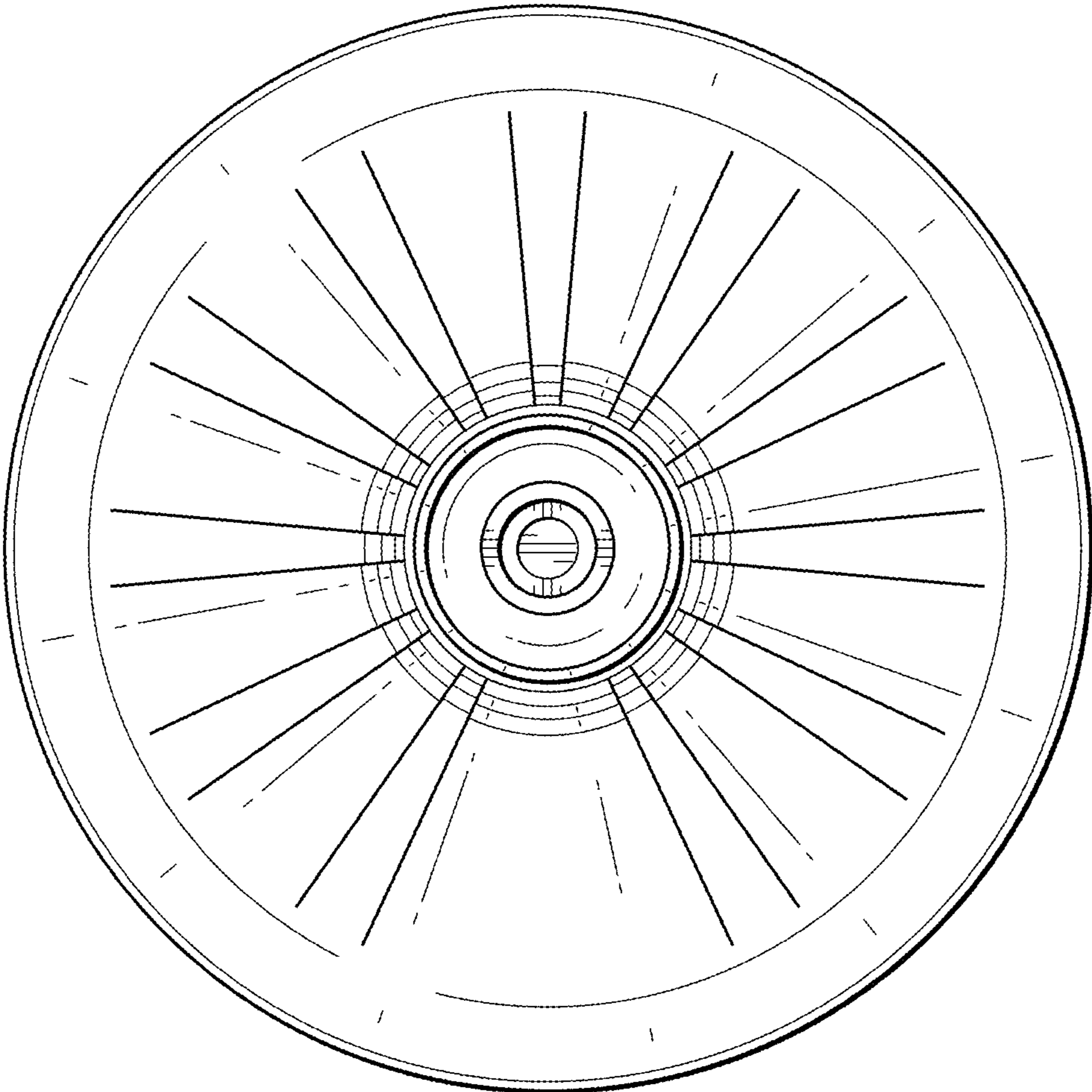


FIG. 6

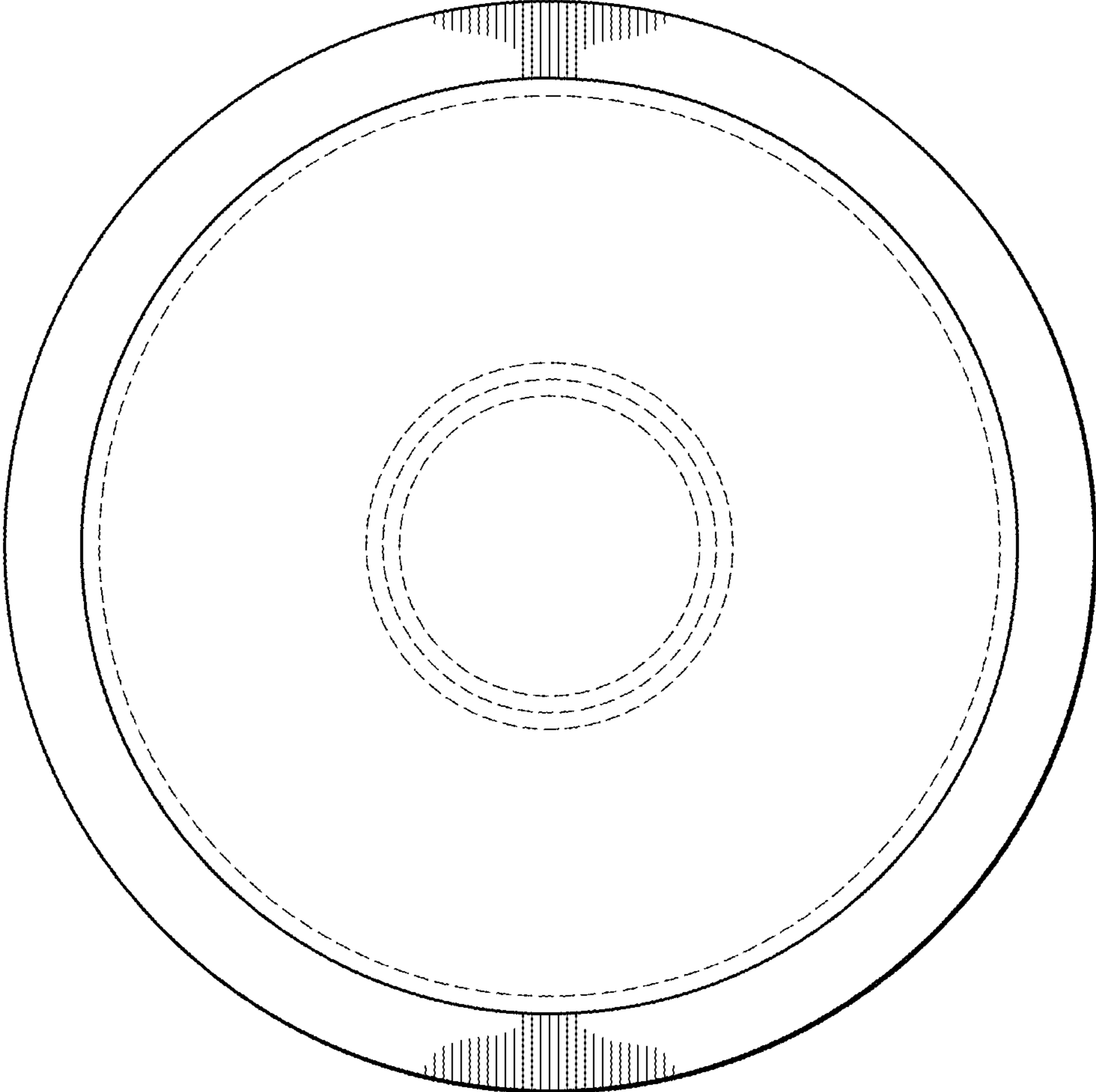


FIG. 7

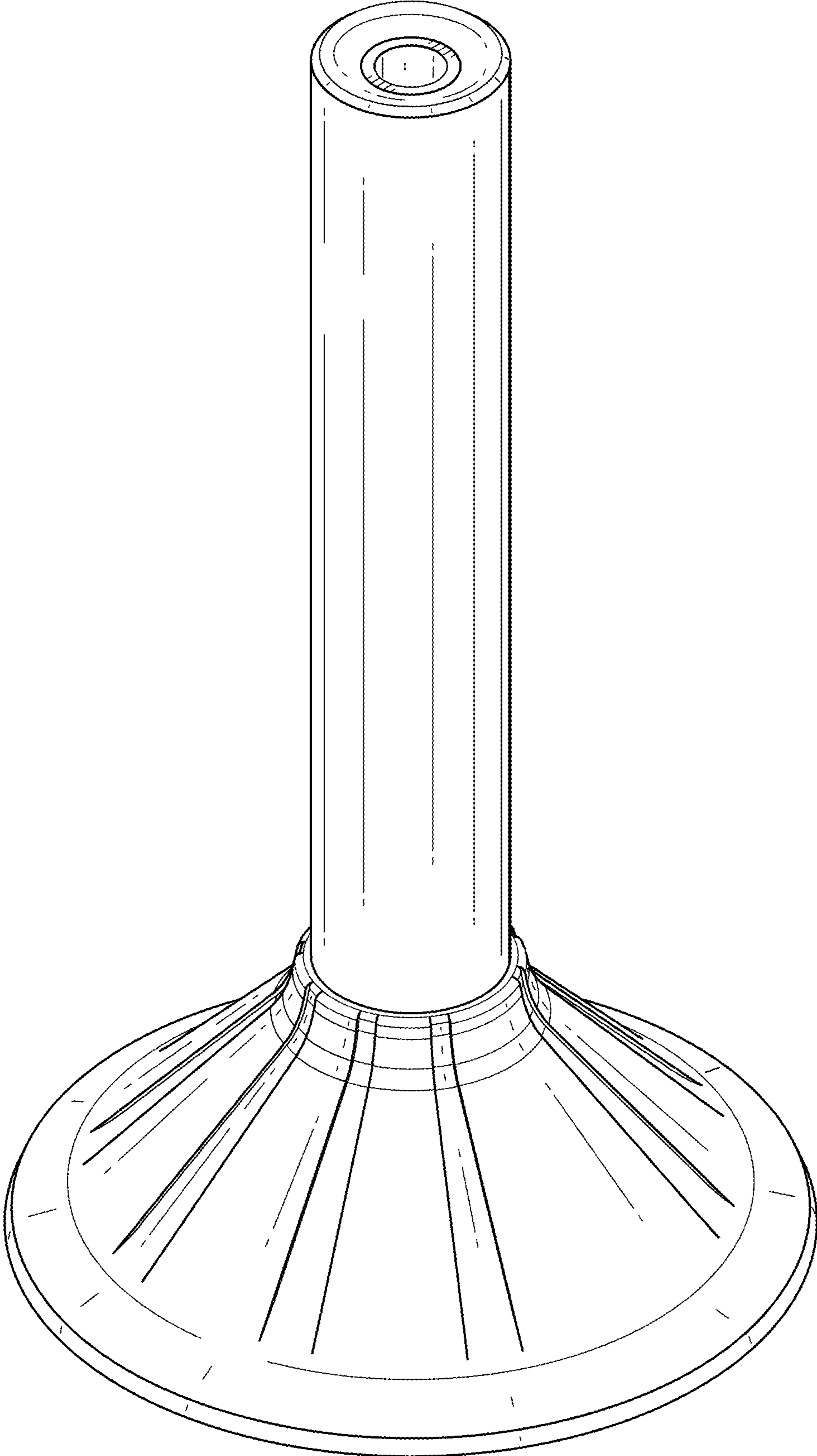


FIG. 8

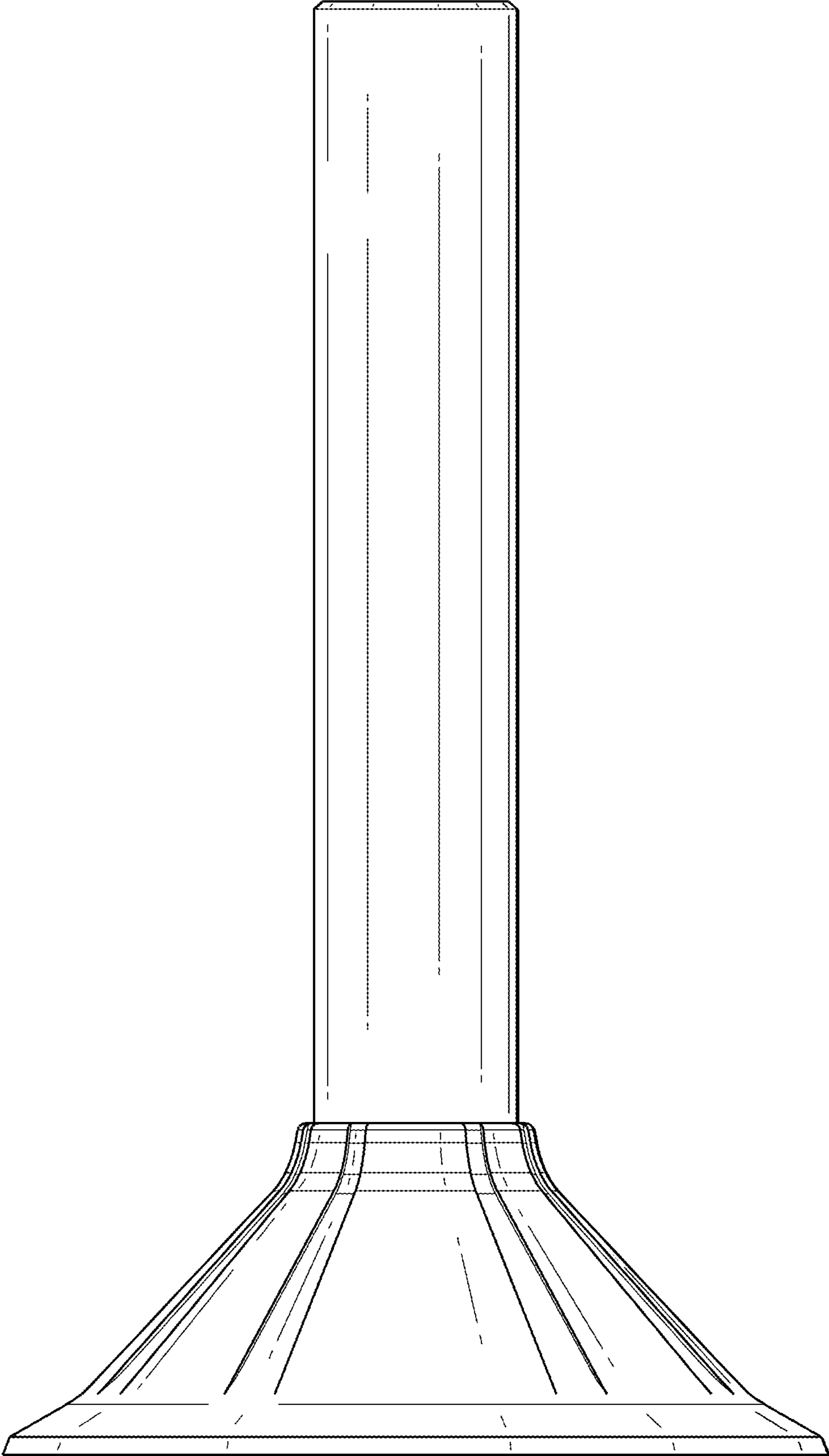


FIG. 9

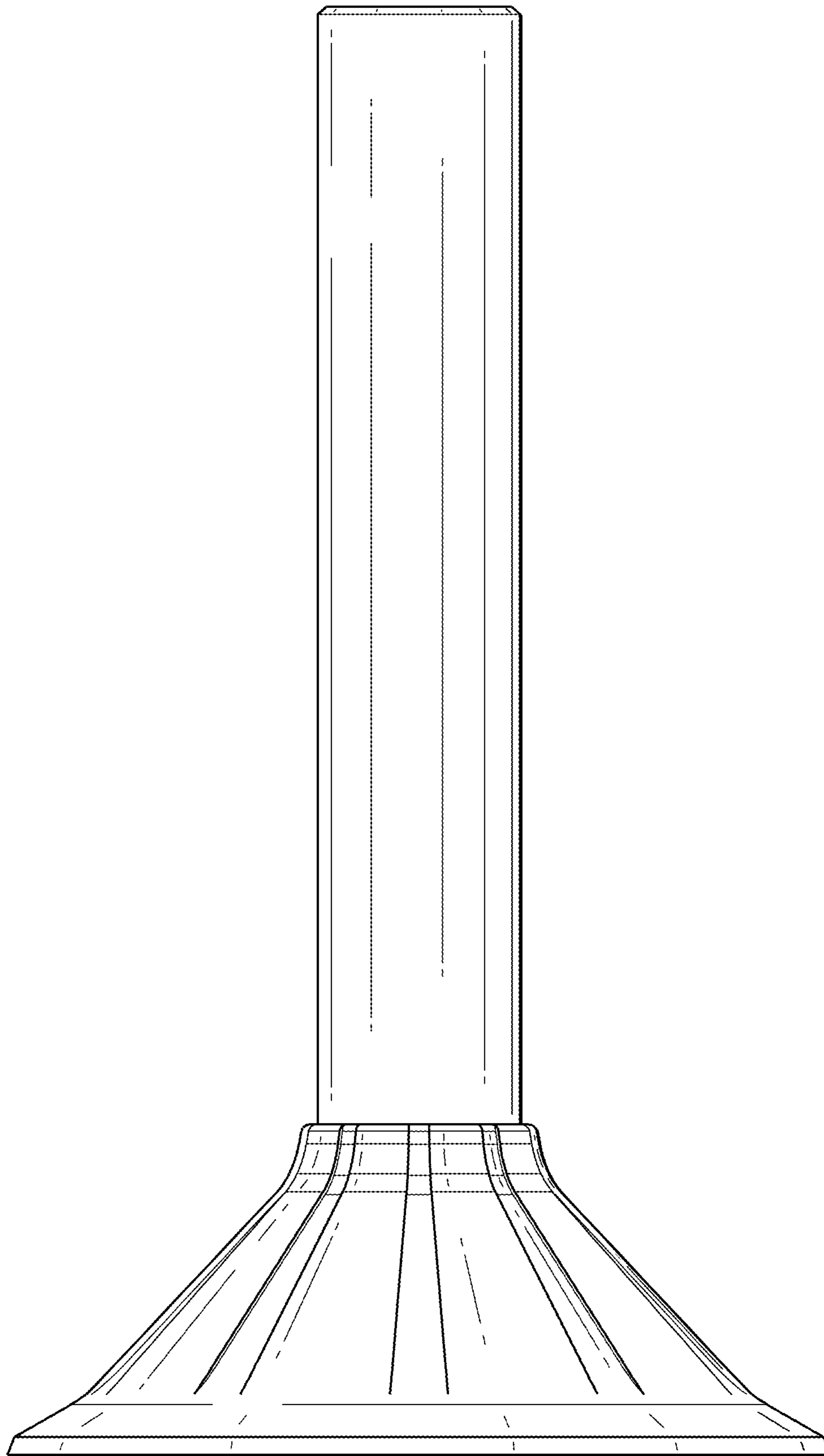


FIG. 10

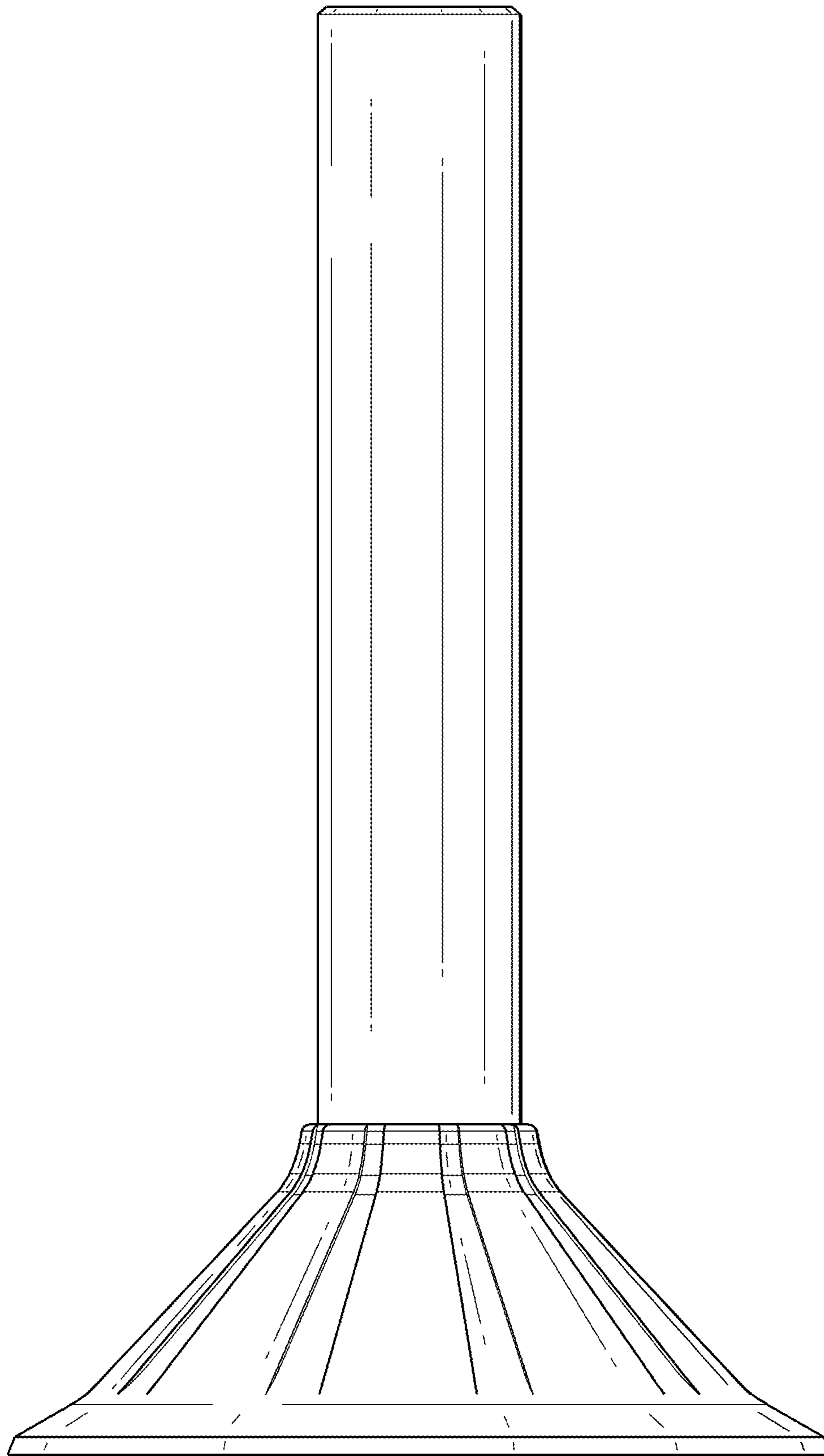


FIG. 11

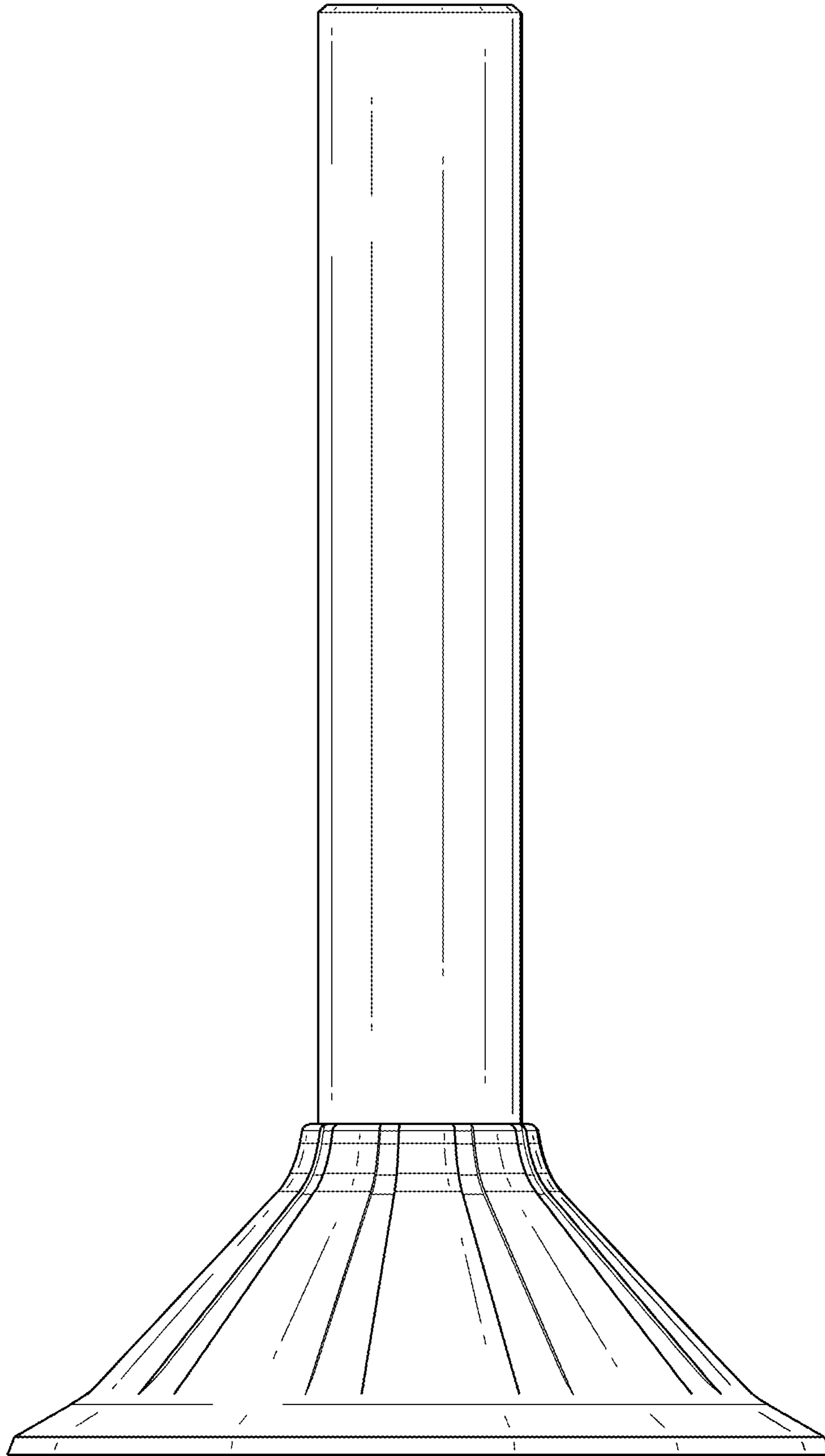


FIG. 12

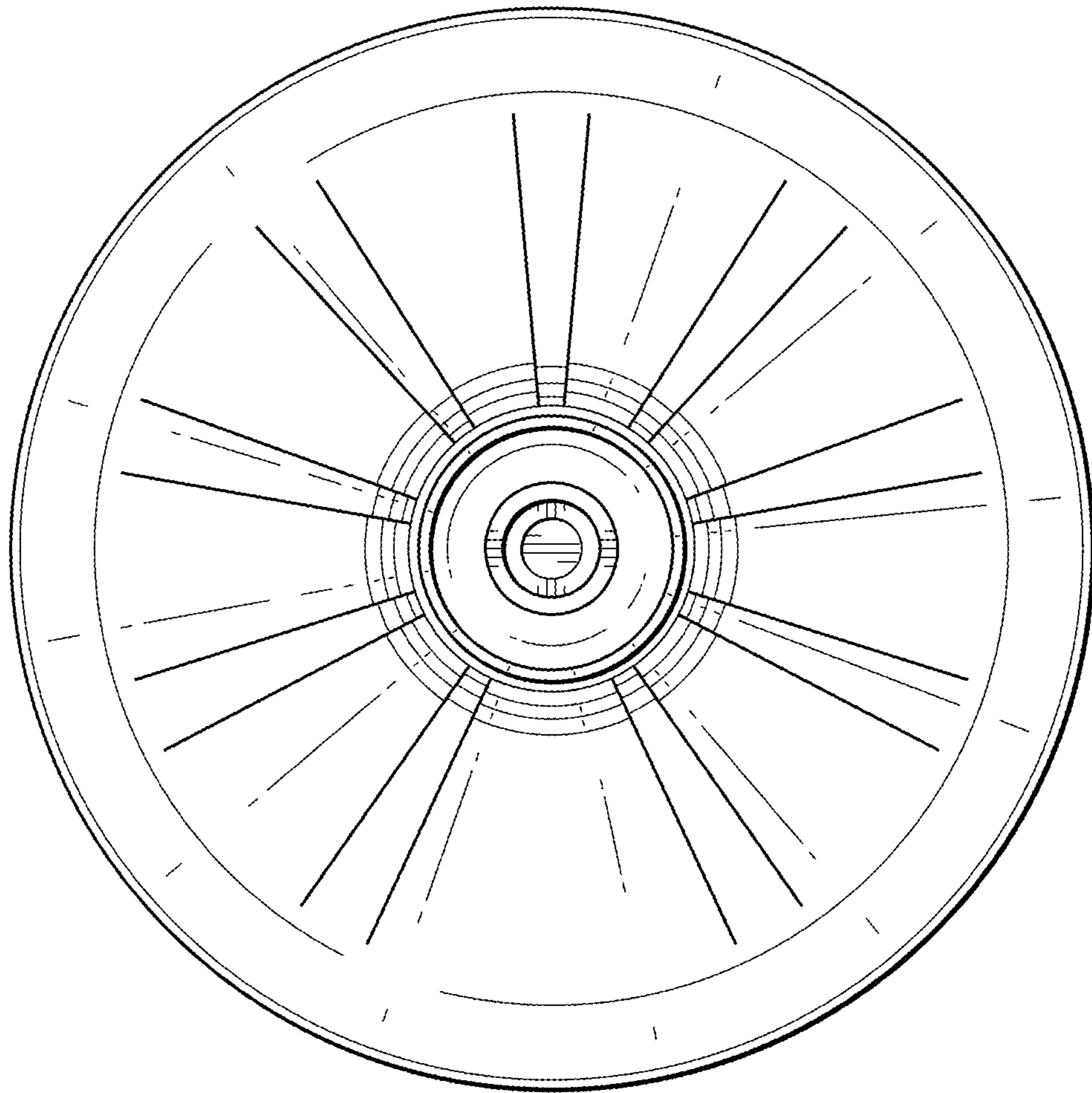


FIG. 13

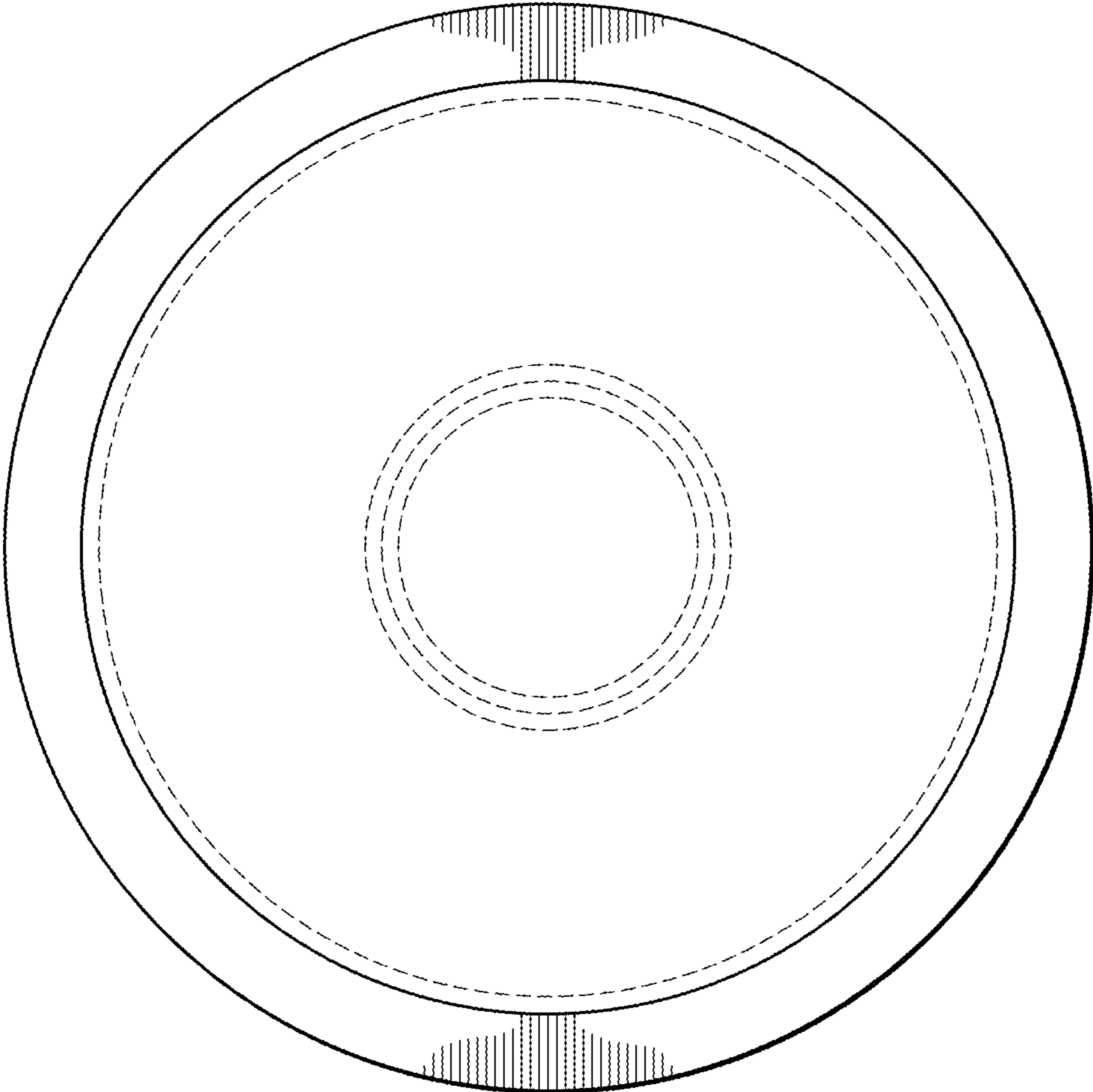


FIG. 14

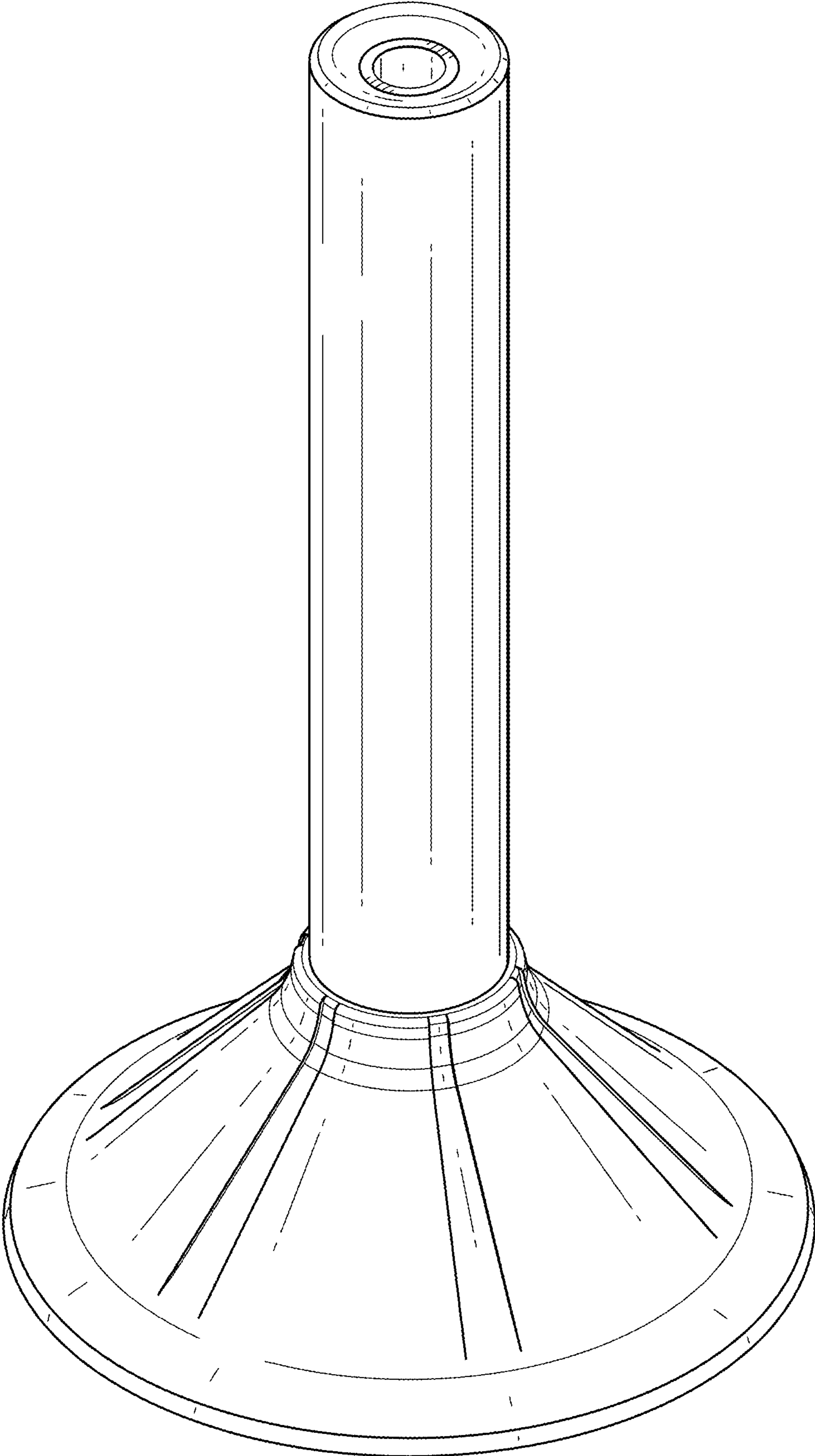


FIG. 15

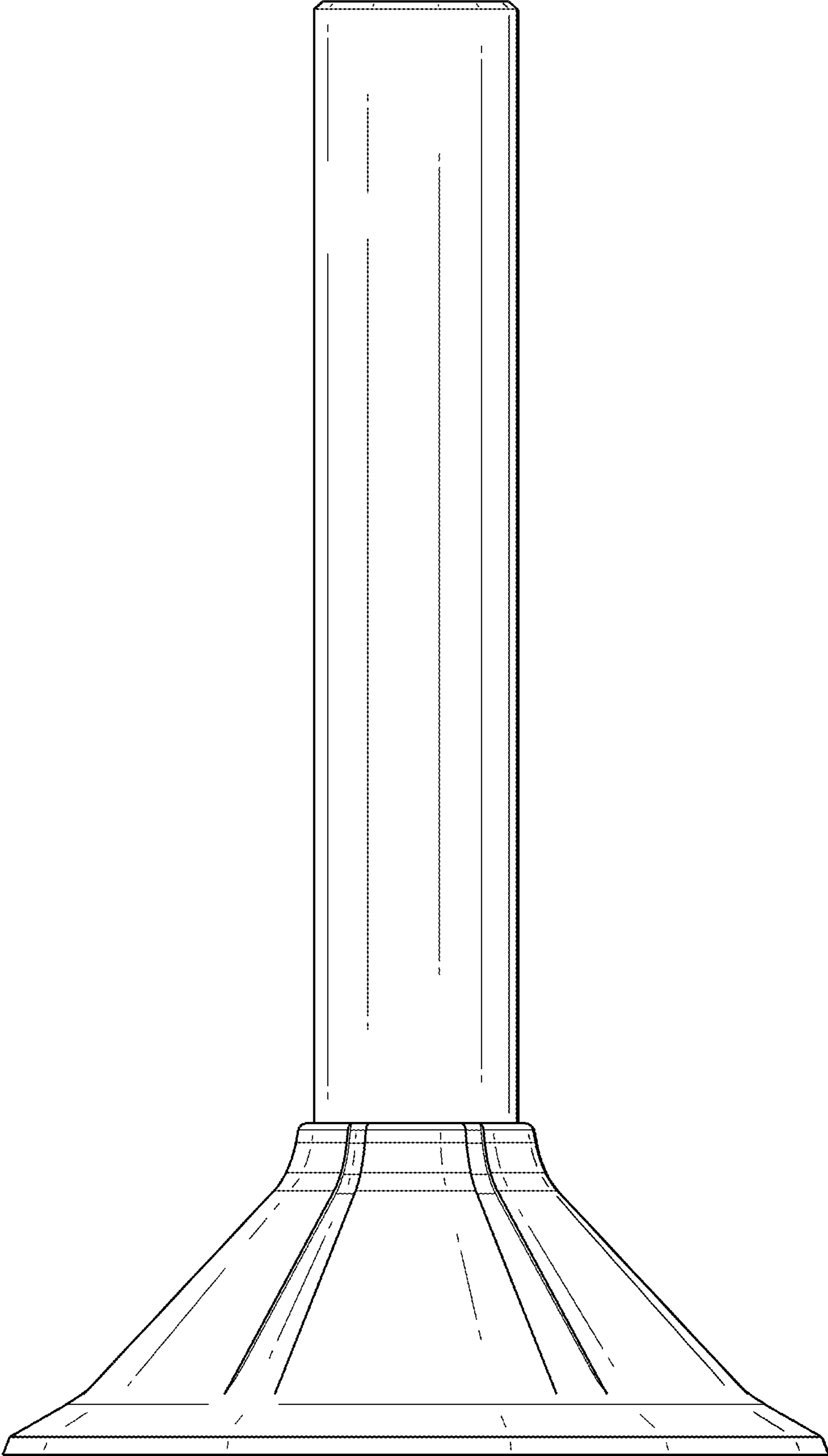


FIG. 16

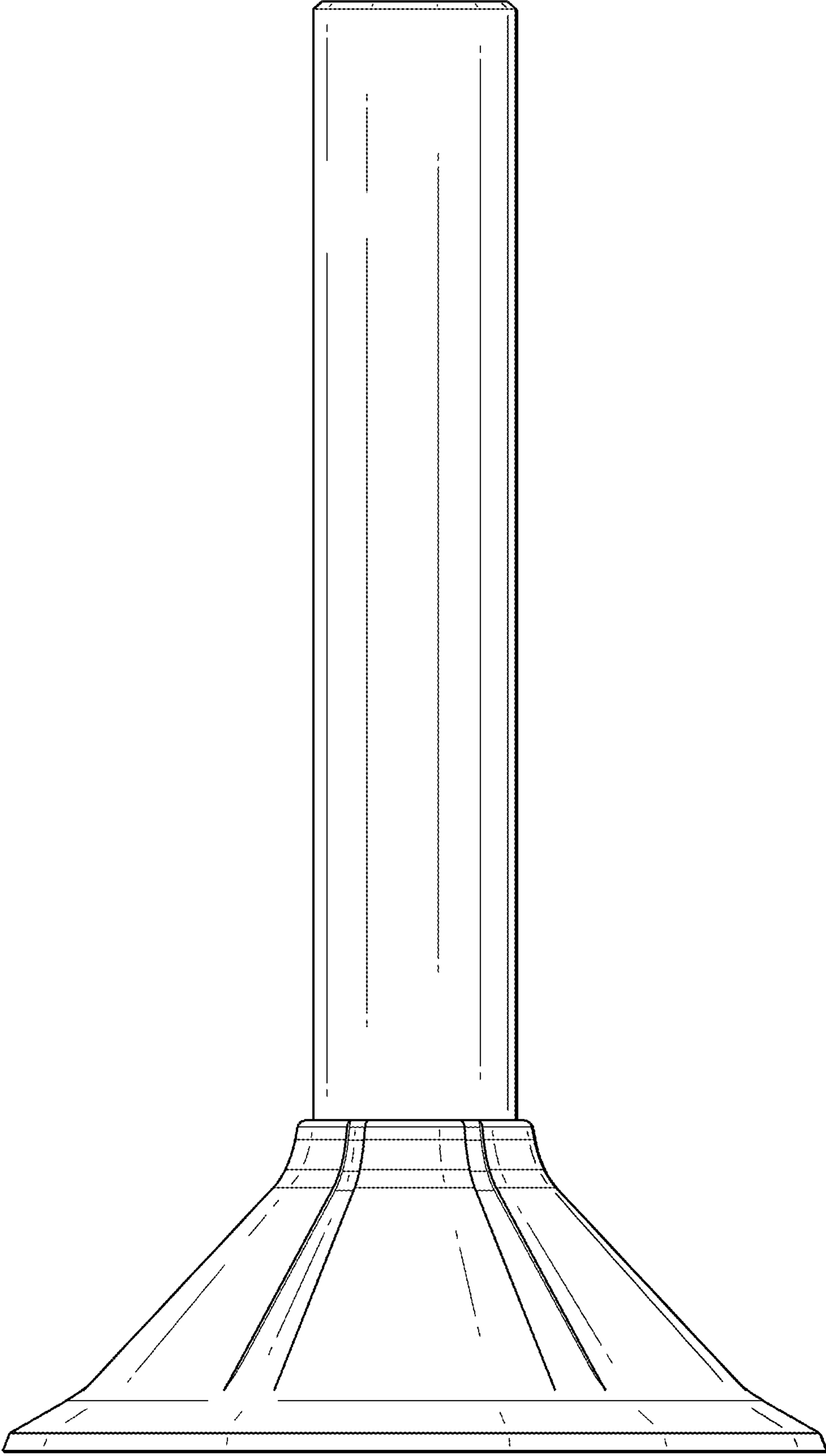


FIG. 17

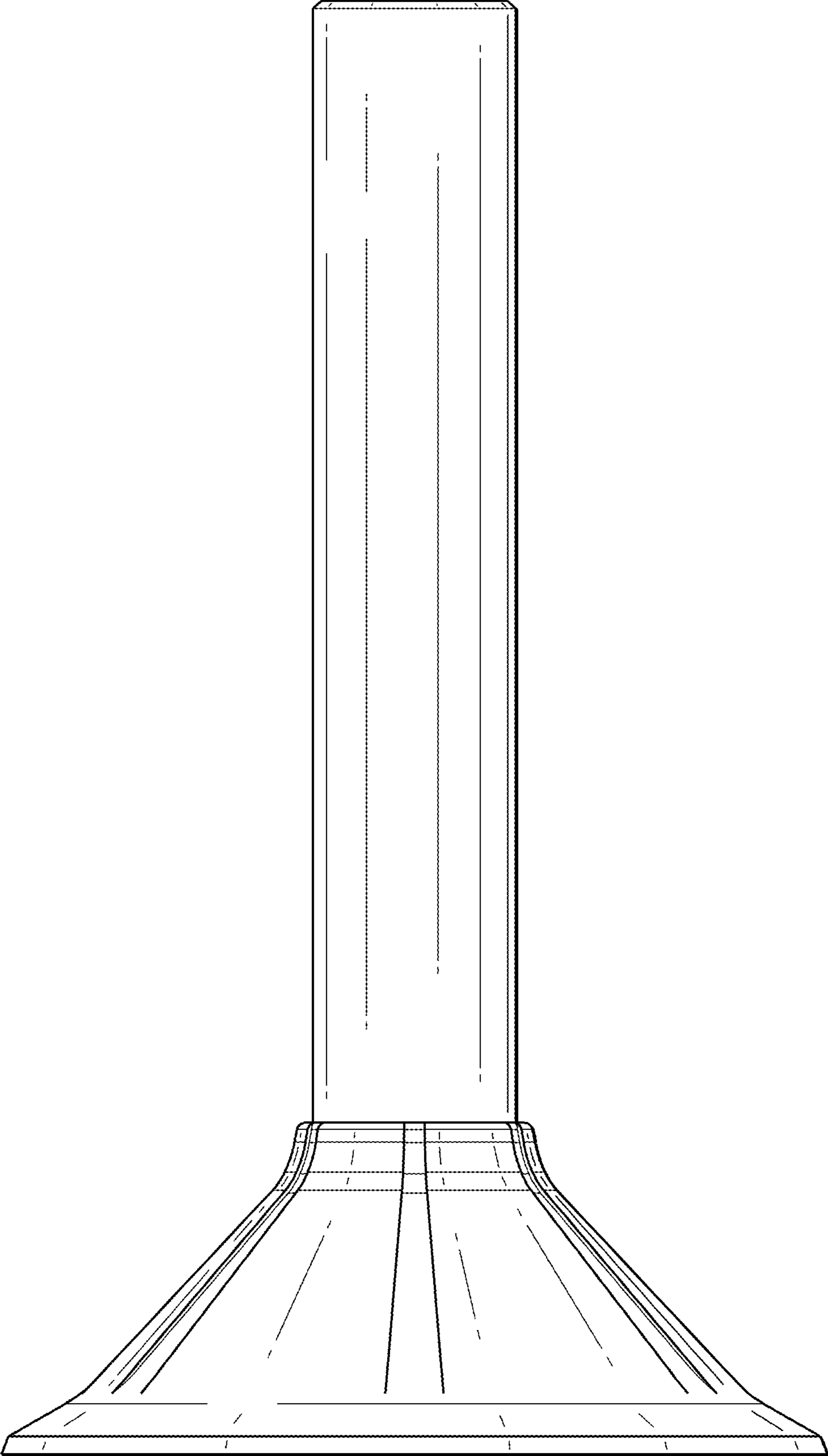


FIG. 18

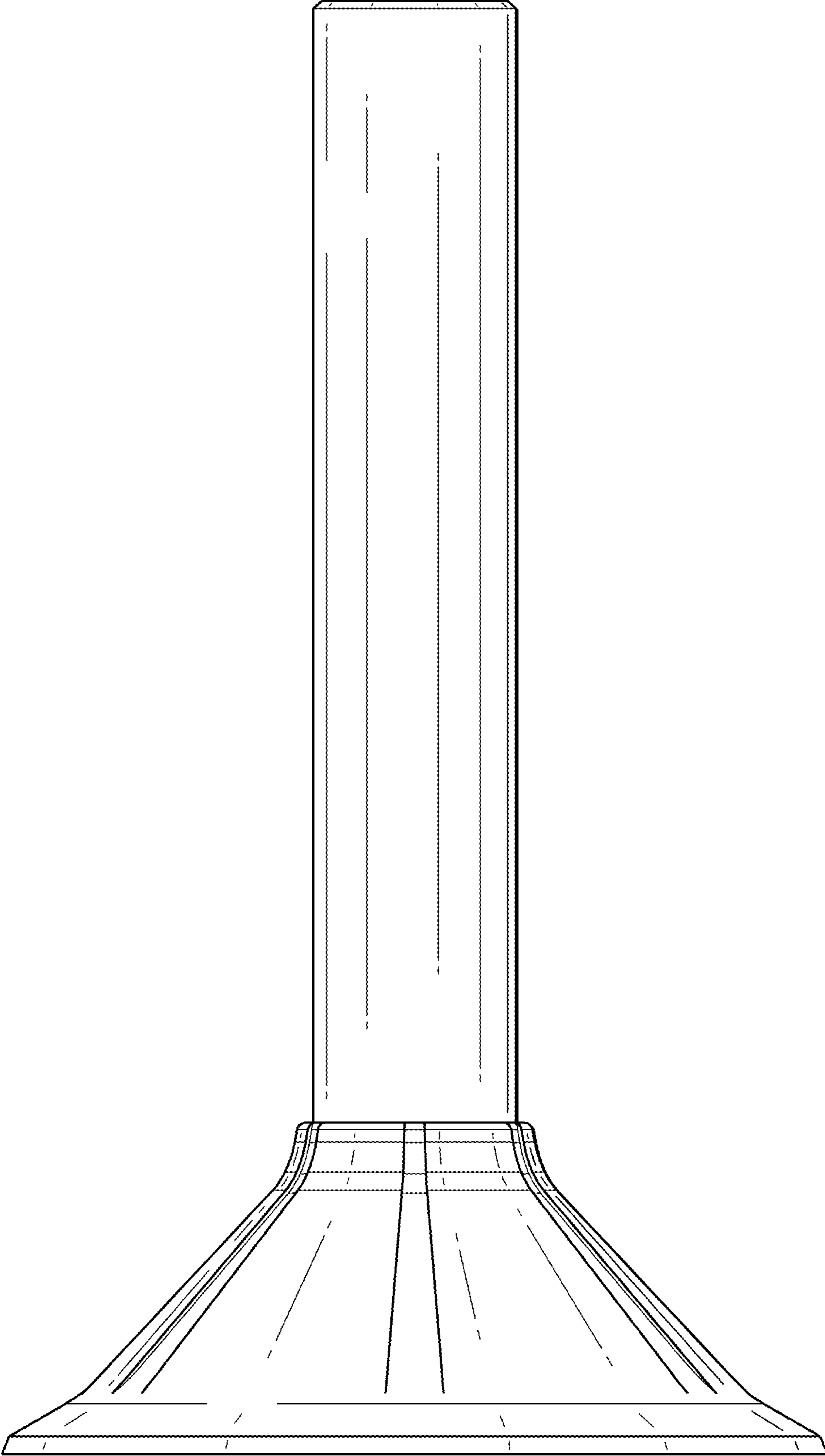


FIG. 19

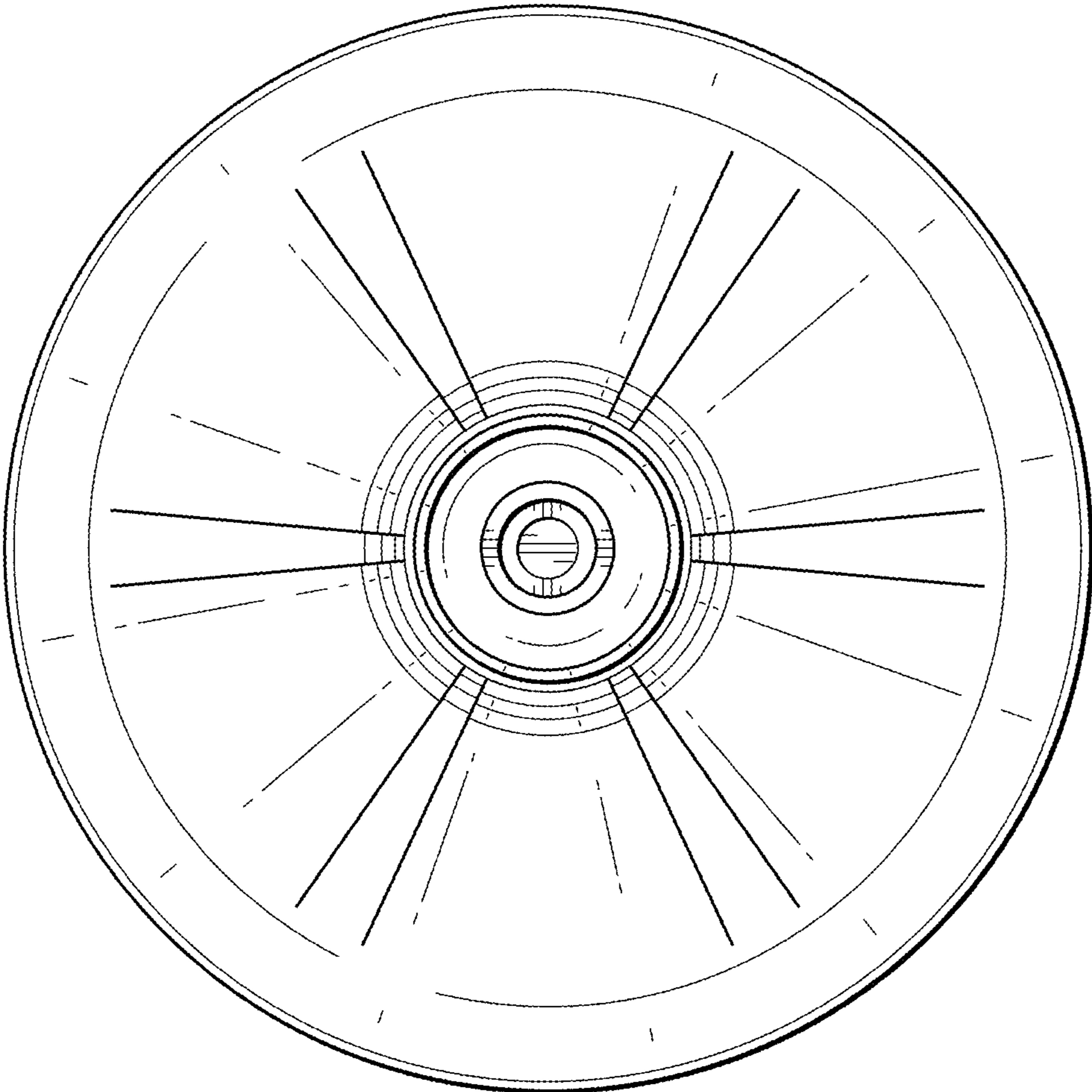


FIG. 20

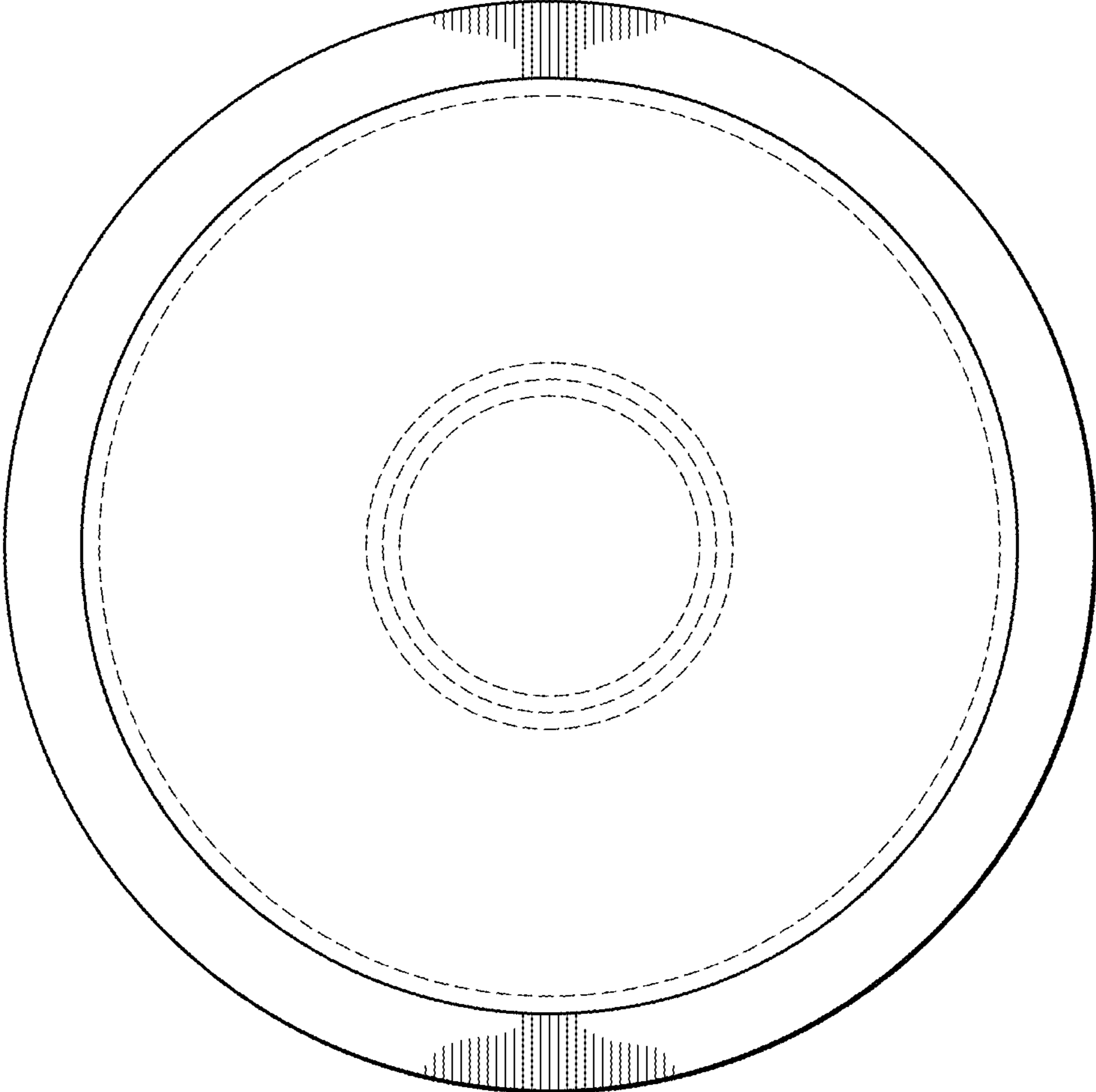


FIG. 21