



US00D921133S

(12) **United States Design Patent** (10) **Patent No.:** **US D921,133 S**
Wang (45) **Date of Patent:** **** Jun. 1, 2021**

(54) **DUMBBELL**

(71) Applicant: **BETO ENGINEERING AND MARKETING CO., LTD.**, Taichung (TW)

(72) Inventor: **Lopin Wang**, Taichung (TW)

(73) Assignee: **Beto Engineering and Marketing Co., LTD.**, Taichung (TW)

(**) Term: **15 Years**

(21) Appl. No.: **29/725,436**

(22) Filed: **Feb. 25, 2020**

(51) **LOC (13) Cl.** **21-02**

(52) **U.S. Cl.**
USPC **D21/681**

(58) **Field of Classification Search**
USPC D21/694, 662, 684, 675, 677, 681, 756, D21/774, 807, 680
CPC A63B 21/072; A63B 21/075; A63B 23/16; A63B 21/05; A63B 21/0726; A63B 21/4035
See application file for complete search history.

(56) **References Cited**

U.S. PATENT DOCUMENTS

- D737,907 S * 9/2015 Flick D21/681
- D753,247 S * 4/2016 Flick D21/694
- 2008/0146420 A1 * 6/2008 Chen A63B 21/0728
482/108
- 2015/0367163 A1 * 12/2015 Moran A63B 71/0619
482/108
- 2017/0001061 A1 * 1/2017 Marjama A63B 71/0619

- 2018/0264308 A1 * 9/2018 Wang A63B 71/0036
- 2018/0353794 A1 * 12/2018 Wang A63B 21/075
- 2020/0398100 A1 * 12/2020 Wang A63B 21/075

OTHER PUBLICATIONS

Bow flex 560, announced [2016], [site visited Feb. 26, 2021]. Available on internet, URL: https://www.amazon.com/Bowflex-SelectTech-560-Dumbbell-Pair/dp/B01LF6X85G/ref=sr_1_2?crd=U3JIQTHSCXU0&dchild=1&keywords=bowflex+560+dumbbells&qid=1617281313&prefix=bowflex+560+dumbb%2Caps%2C147&sr=8-2 (Year: 2016).*

* cited by examiner

Primary Examiner — Khawaja Anwar
Assistant Examiner — Julice Seung Eun Oum

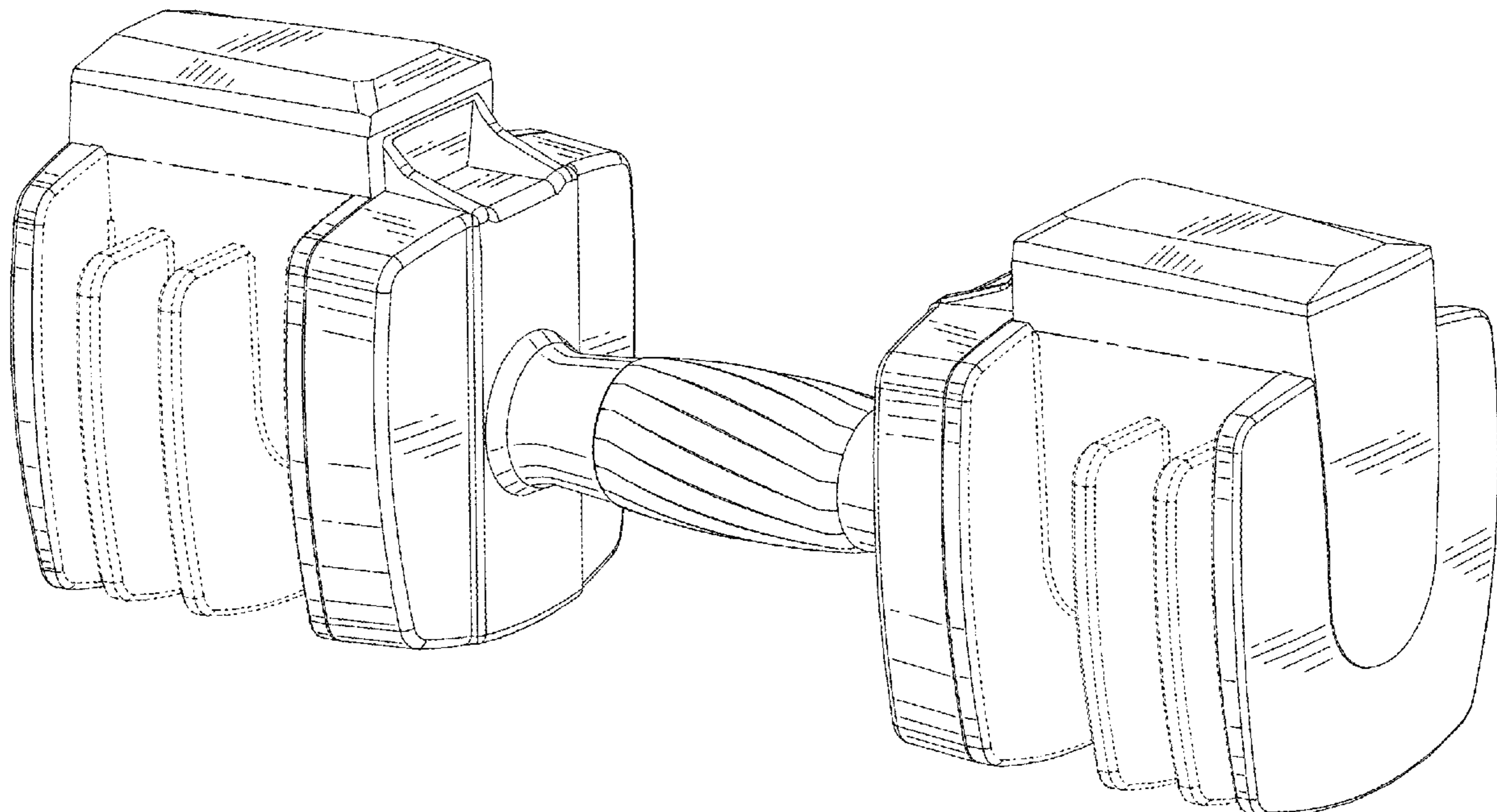
(57) **CLAIM**

The ornamental design for a dumbbell, as shown and described.

DESCRIPTION

FIG. 1 is a perspective view of a dumbbell showing my new design;
FIG. 2 is a front/rear elevational view thereof;
FIG. 3 is a left/right side elevational view thereof;
FIG. 4 is a top plan view thereof; and,
FIG. 5 is a bottom plan view thereof.
Left and right portions of the dumbbell are symmetrical, and front and rear portions of the dumbbell are symmetrical. The evenly-dashed broken lines depict portions of a dumbbell in which the design is embodied that form no part of the claimed design.
The dash-dotted broken lines are for defining the bounds of the claimed design only and form no part of the claimed design.

1 Claim, 5 Drawing Sheets



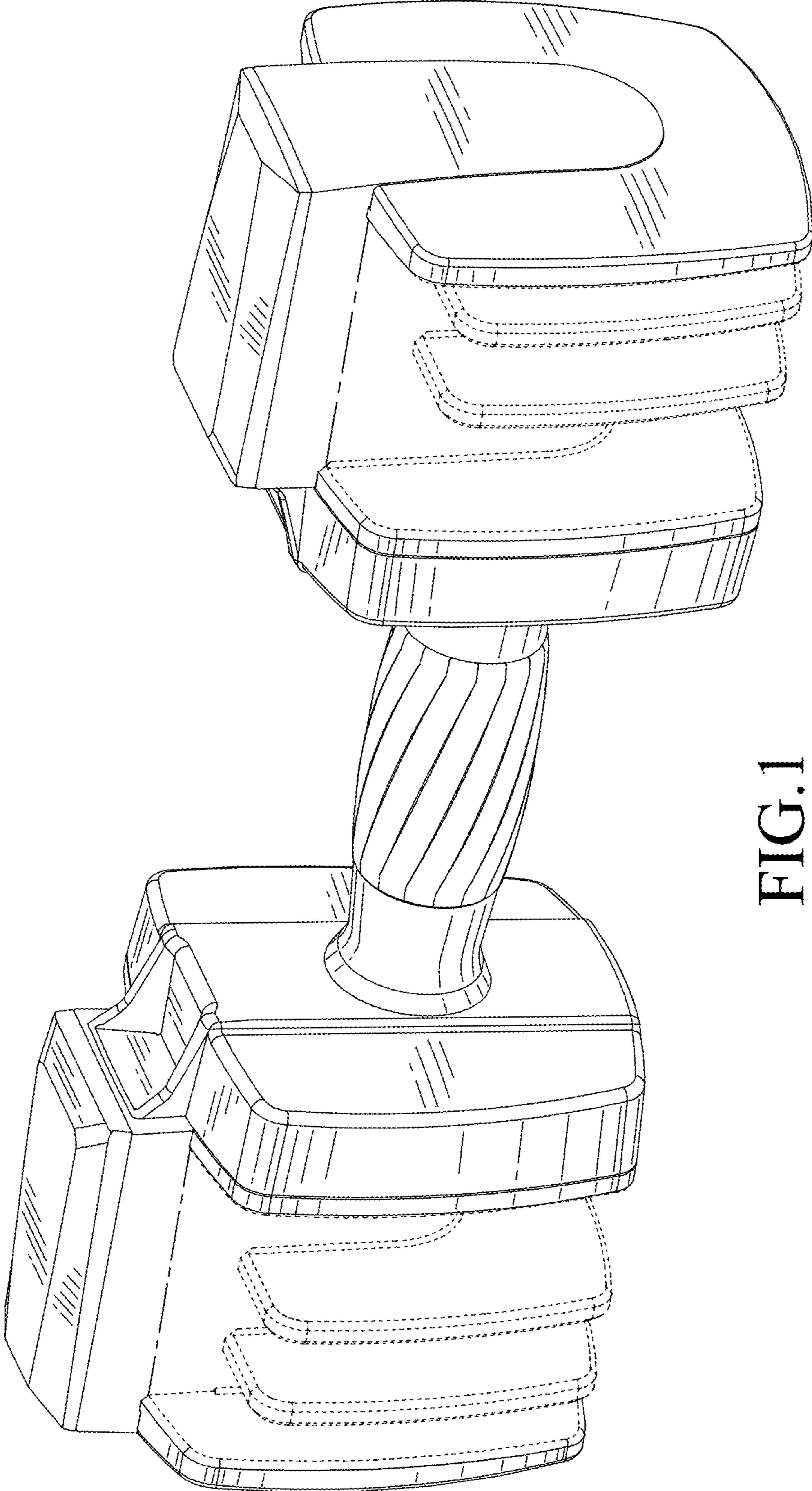


FIG. 1

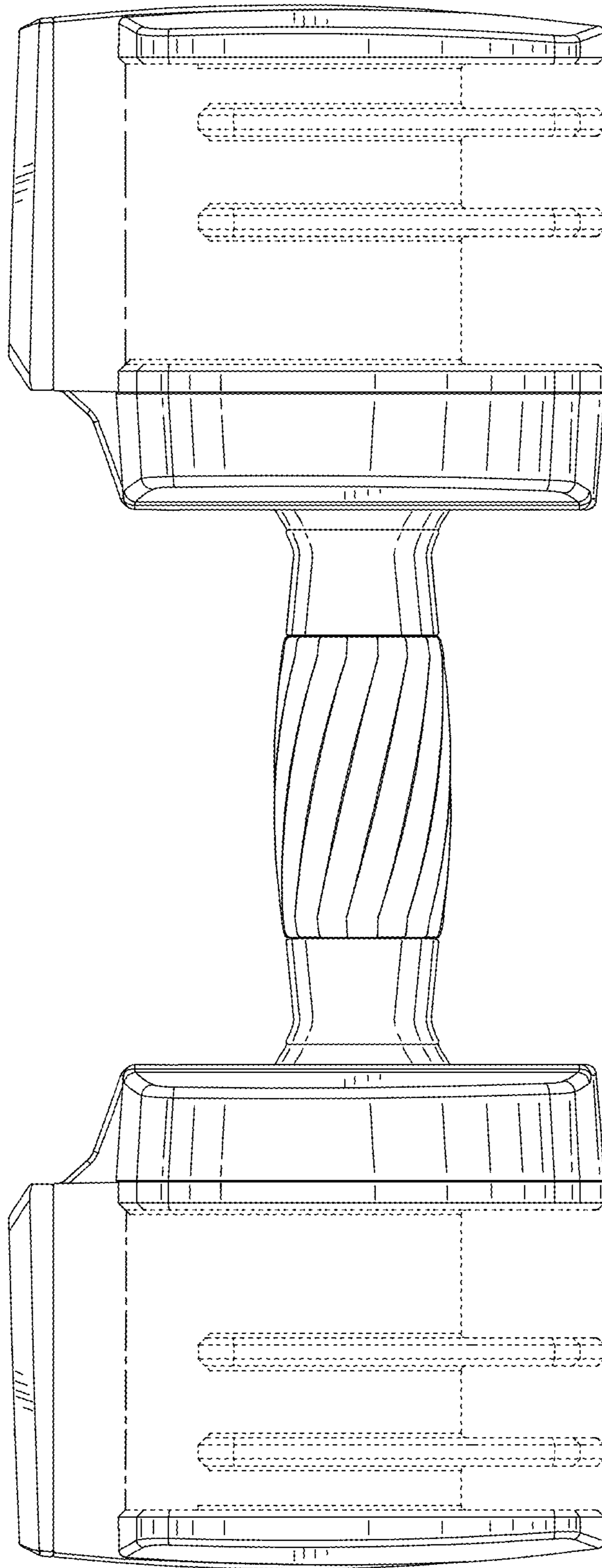


FIG. 2

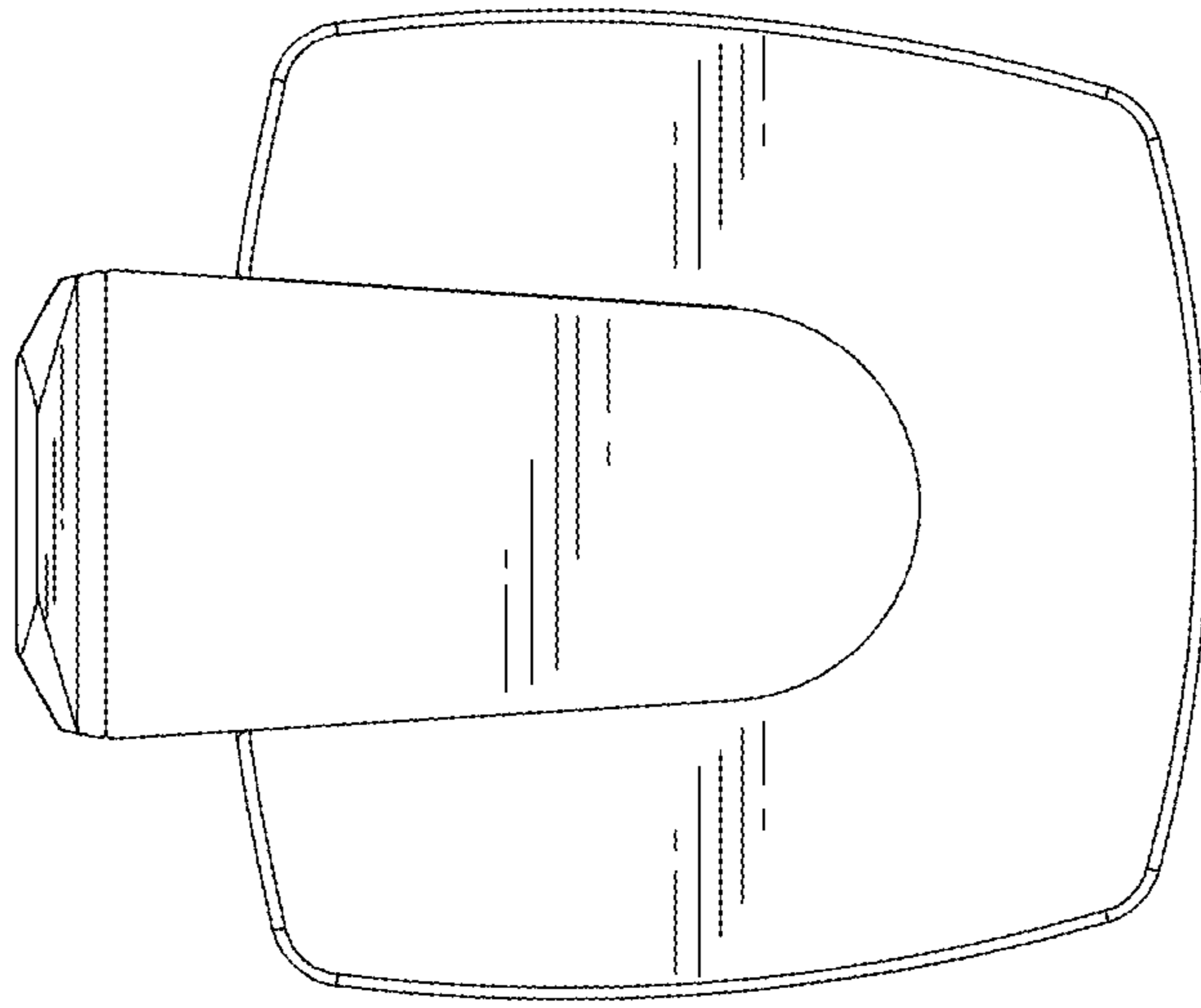


FIG. 3

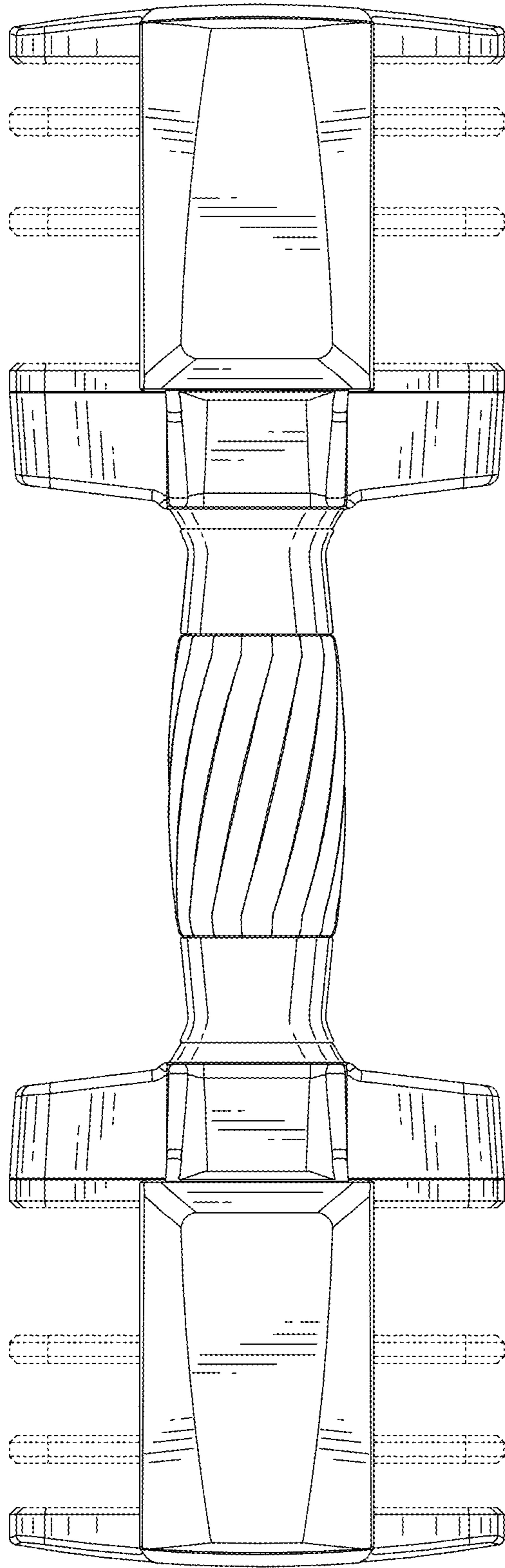


FIG.4

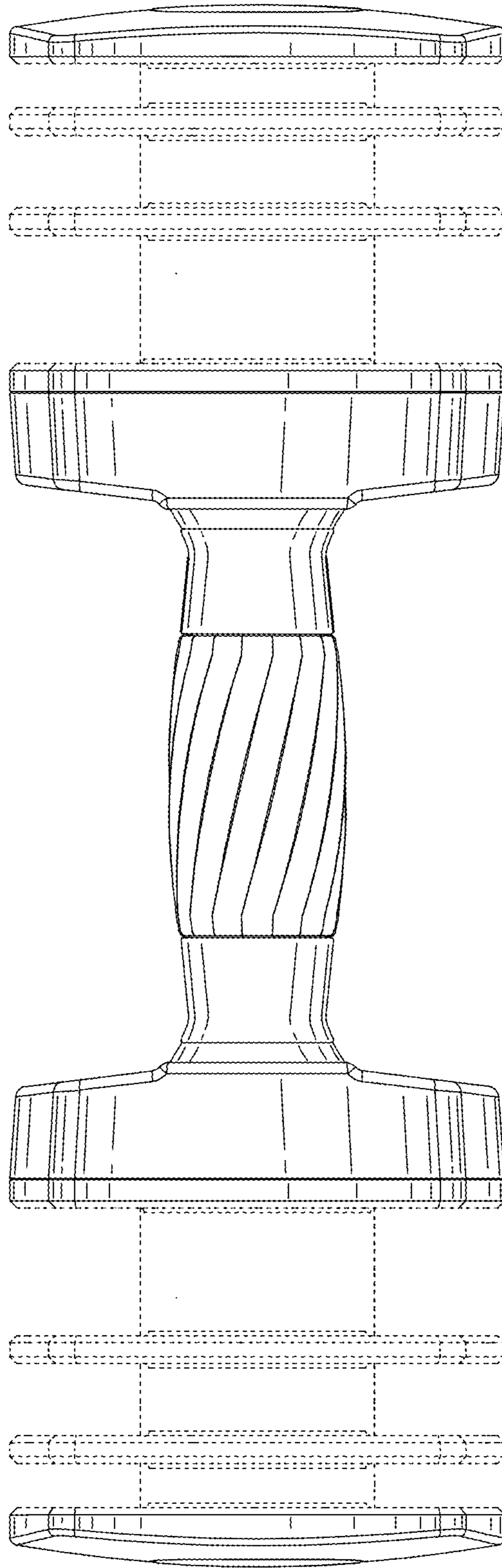


FIG. 5