



US00D921132S

(12) **United States Design Patent**
Orady et al.

(10) **Patent No.:** **US D921,132 S**
(45) **Date of Patent:** **** Jun. 1, 2021**

(54) **EXERCISE MACHINE**

- (71) Applicant: **TONAL SYSTEMS, INC.**, San Francisco, CA (US)
- (72) Inventors: **Aly Orady**, San Francisco, CA (US);
Dan Harden, Palo Alto, CA (US)
- (73) Assignee: **TONAL SYSTEMS, INC.**, San Francisco, CA (US)
- (**) Term: **15 Years**

- (21) Appl. No.: **29/681,193**
- (22) Filed: **Feb. 22, 2019**

Related U.S. Application Data

- (63) Continuation-in-part of application No. 29/665,574, filed on Oct. 4, 2018.
- (51) **LOC (13) Cl.** **21-02**
- (52) **U.S. Cl.**
USPC **D21/673**
- (58) **Field of Classification Search**
USPC D21/662, 673, 674, 675, 682, 684, 686,
D21/692, 694
CPC A63B 23/03541; A63B 21/00061; A63B
21/05524; A63B 21/154
See application file for complete search history.

(56) **References Cited**

U.S. PATENT DOCUMENTS

- 195,116 A * 9/1877 Foster A63B 21/068
482/95
- 1,372,026 A * 3/1921 Hastings A63B 23/12
482/123
- 3,117,781 A * 1/1964 Vargro A63B 21/0023
482/91
- 5,029,850 A * 7/1991 van Straaten A63B 21/154
482/125
- 5,362,296 A * 11/1994 Wang A63B 21/04
482/121

(Continued)

OTHER PUBLICATIONS

Youtube, "Meet Tonal", Aug. 16, 2018. <https://www.youtube.com/watch?v=j1RdHmefjml>. Shown at the 1:55 minute mark. (Year: 2018).*

(Continued)

Primary Examiner — Cynthia Ramirez
Assistant Examiner — Michael A Maharajh
(74) *Attorney, Agent, or Firm* — Barnes & Thornburg LLP

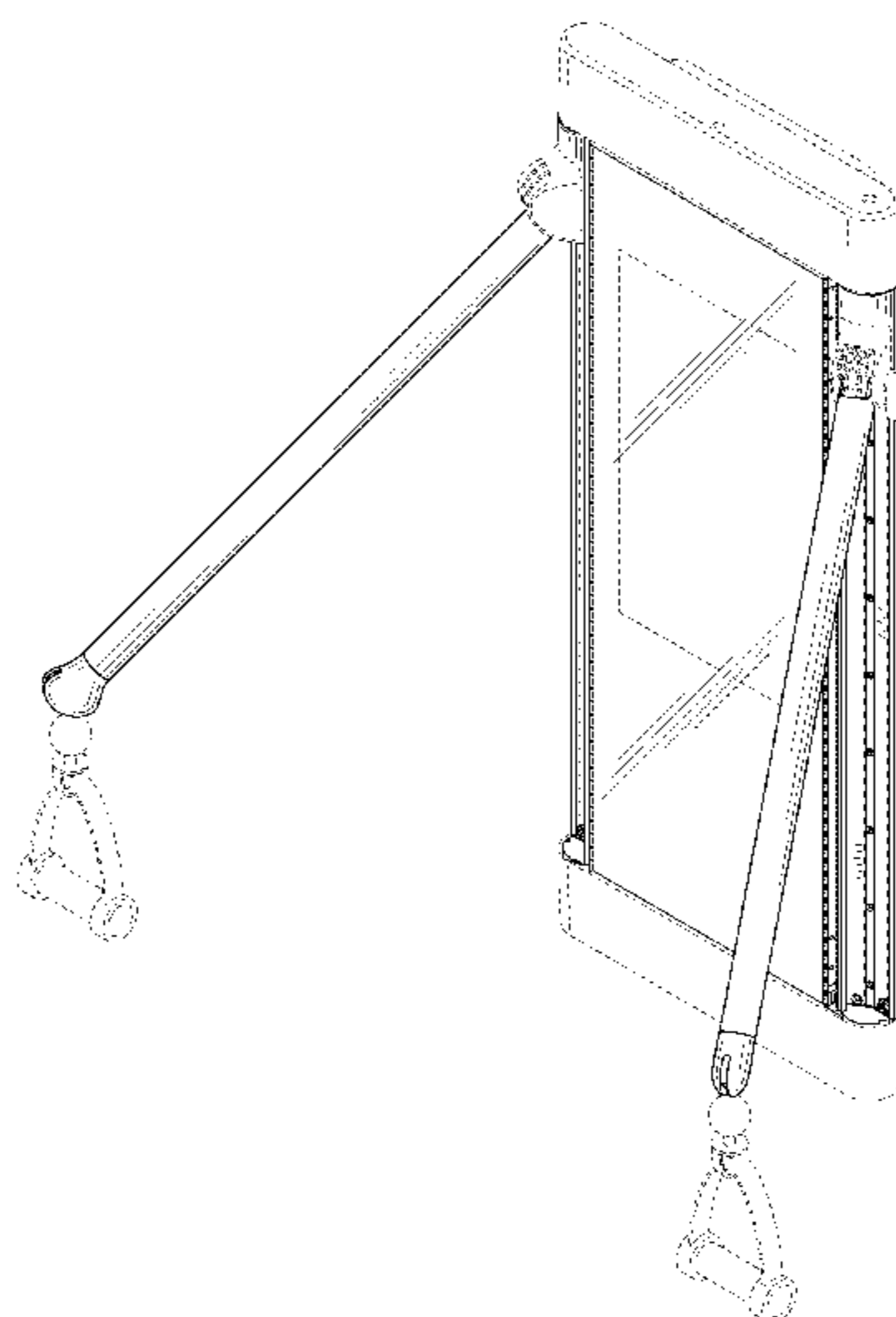
(57) **CLAIM**

The ornamental design for an exercise machine, as shown and described.

DESCRIPTION

FIG. 1 is a front perspective view of a first position of an exercise machine, according to an embodiment of our new design;
 FIG. 2 is a front side view thereof;
 FIG. 3 is a rear side view thereof;
 FIG. 4 is a left side view thereof;
 FIG. 5 is a right side view thereof;
 FIG. 6 is a top plan view thereof;
 FIG. 7 is a bottom plan view thereof;
 FIG. 8 is a front perspective view of a second position of an exercise machine, according to an embodiment of our new design;
 FIG. 9 is a front side view thereof;
 FIG. 10 is a rear side view thereof;
 FIG. 11 is a left side view thereof;
 FIG. 12 is a right side view thereof;
 FIG. 13 is a top plan view thereof; and,
 FIG. 14 is a bottom plan view thereof.
 The broken lines shown in the figures are for purposes of illustrating portions of the exercise machine, which form no part of the claimed design.

1 Claim, 14 Drawing Sheets



(56)

References Cited

U.S. PATENT DOCUMENTS

D353,419 S * 12/1994 Sprague D21/686
 5,556,369 A * 9/1996 Roberts A63B 17/00
 482/131
 6,110,081 A * 8/2000 Barrett A63B 21/055
 482/121
 D482,748 S * 11/2003 Flynt D21/662
 6,659,922 B1 * 12/2003 Yu A63B 21/025
 482/121
 D502,515 S * 3/2005 Carter D21/686
 7,115,078 B1 * 10/2006 Kalember A63B 21/015
 482/117
 D572,776 S * 7/2008 Wells D21/692
 D605,712 S * 12/2009 Bizzell D21/688
 D606,134 S * 12/2009 Bizzell D21/688
 D742,461 S * 11/2015 Baldwin D21/662
 D807,445 S * 1/2018 Gettle D21/686
 D842,398 S * 3/2019 Zhu D21/673
 D891,541 S * 7/2020 Lin D21/692
 D895,030 S * 9/2020 Jaquish D21/673
 D895,031 S * 9/2020 Jaquish D21/673
 D895,032 S * 9/2020 Jaquish D21/673
 D895,033 S * 9/2020 Jaquish D21/673
 D895,739 S * 9/2020 Jaquish D21/673
 2005/0075223 A1 * 4/2005 Wu A63B 21/0004
 482/126
 2005/0137066 A1 * 6/2005 Wu A63B 21/0004
 482/126
 2006/0223683 A1 * 10/2006 Orona A63B 21/4039
 482/96

2007/0015644 A1 * 1/2007 Aucamp A63B 21/154
 482/130
 2007/0042881 A1 * 2/2007 Wu A63B 21/0004
 482/126
 2007/0093369 A1 * 4/2007 Bocchicchio A63B 21/068
 482/148
 2007/0207904 A1 * 9/2007 Wu A63B 21/0552
 482/126
 2009/0176634 A1 * 7/2009 Wu A63B 21/0552
 482/122
 2010/0255966 A1 * 10/2010 Aucamp A63B 21/0552
 482/131
 2013/0090216 A1 * 4/2013 Jackson A63B 21/154
 482/52
 2015/0031512 A1 * 1/2015 Schleiden, II A63B 23/1209
 482/139
 2017/0150786 A1 * 6/2017 Ness A44B 11/18
 2017/0172832 A1 * 6/2017 Rosario, Jr. A61G 13/121
 2017/0232302 A1 * 8/2017 Dedvukaj A63B 22/16
 482/123
 2017/0333742 A1 * 11/2017 Reese A63B 21/4043
 2019/0299042 A1 * 10/2019 Slayton A63B 21/0555
 2019/0308057 A1 * 10/2019 Chen A63B 21/055

OTHER PUBLICATIONS

Tonal, "Tonal", Sep. 16, 2020. <https://www.tonal.com/equipment/>.
 Shown on p. 1. (Year: 2020).*

* cited by examiner

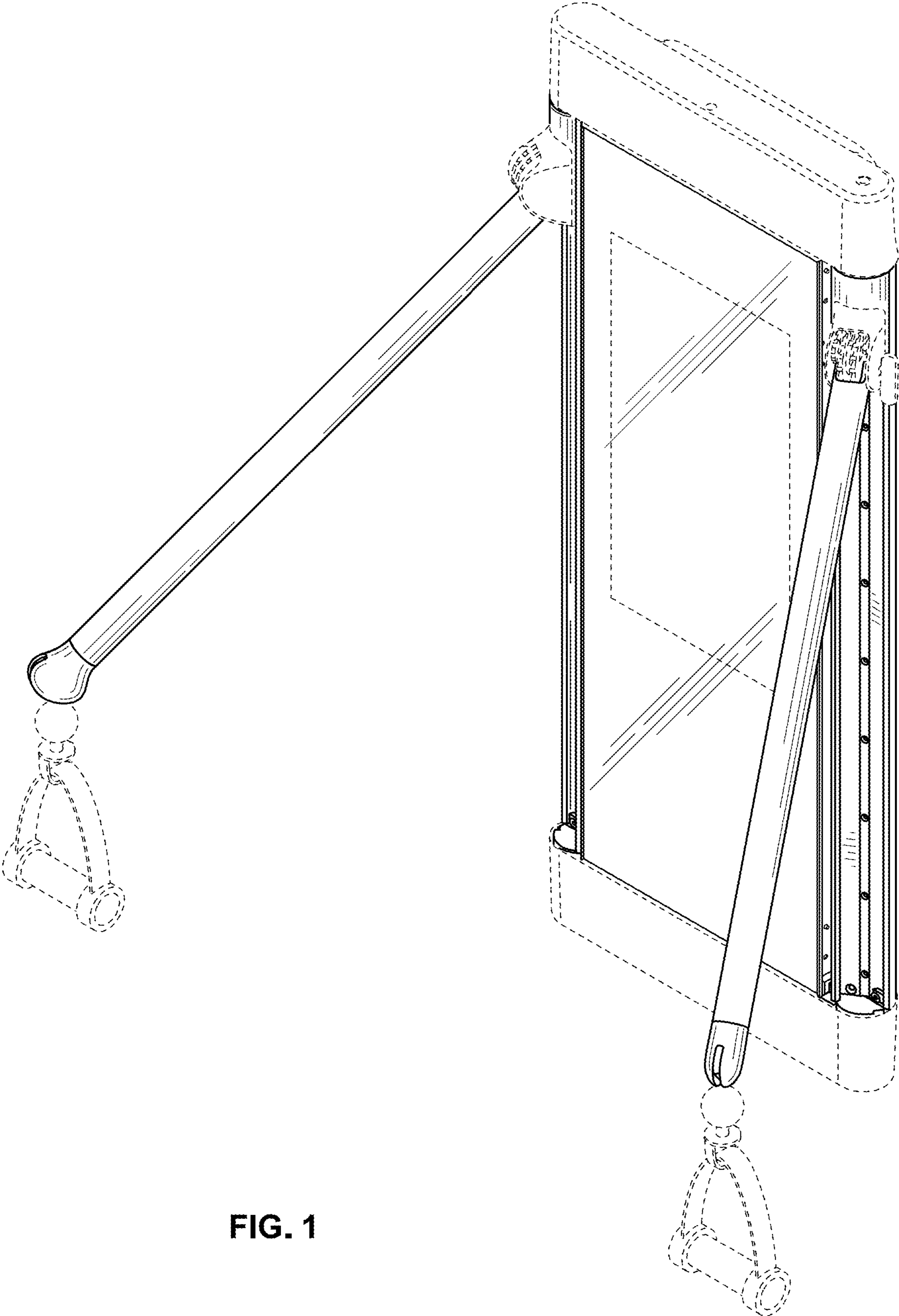


FIG. 1

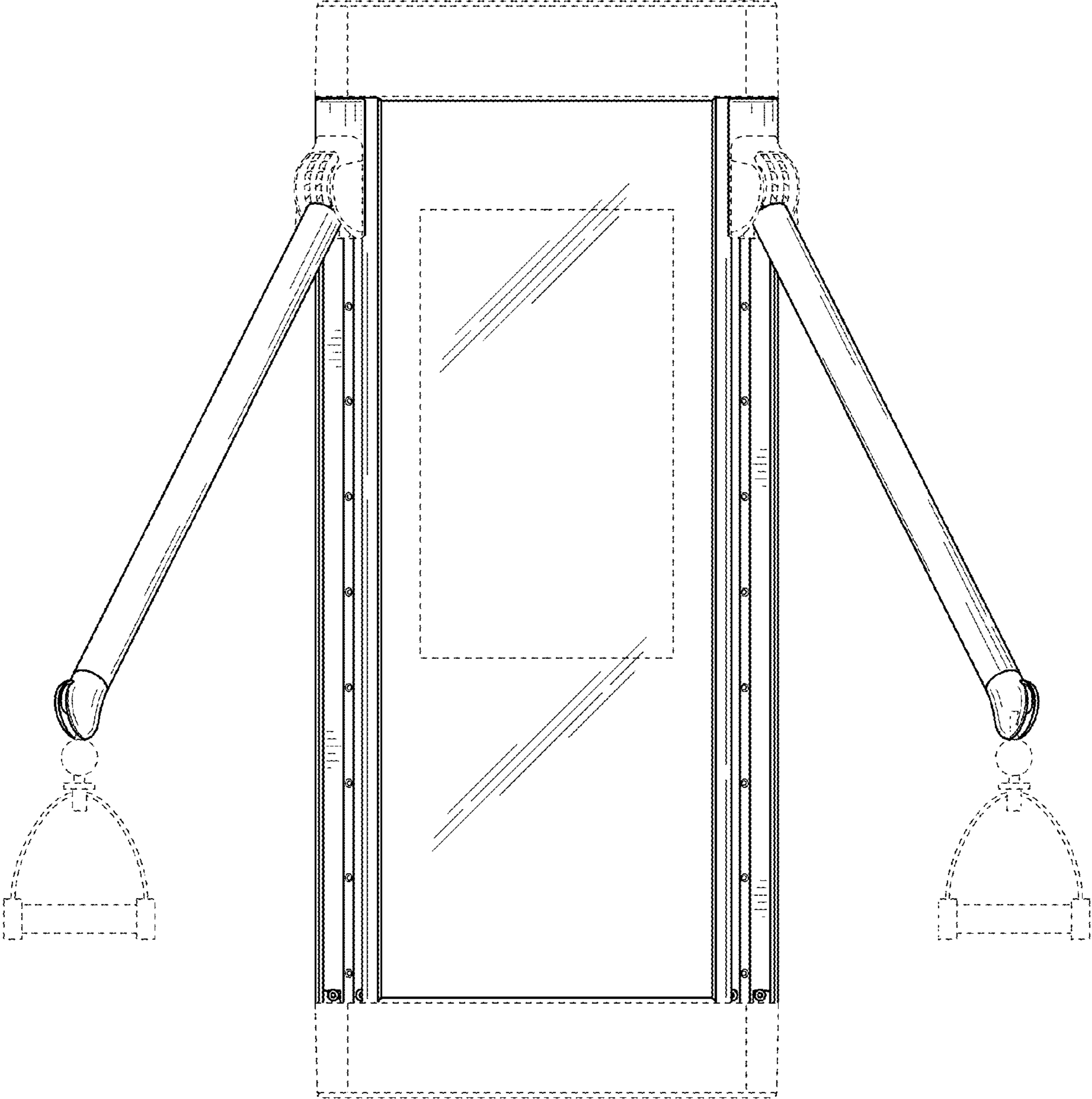


FIG. 2

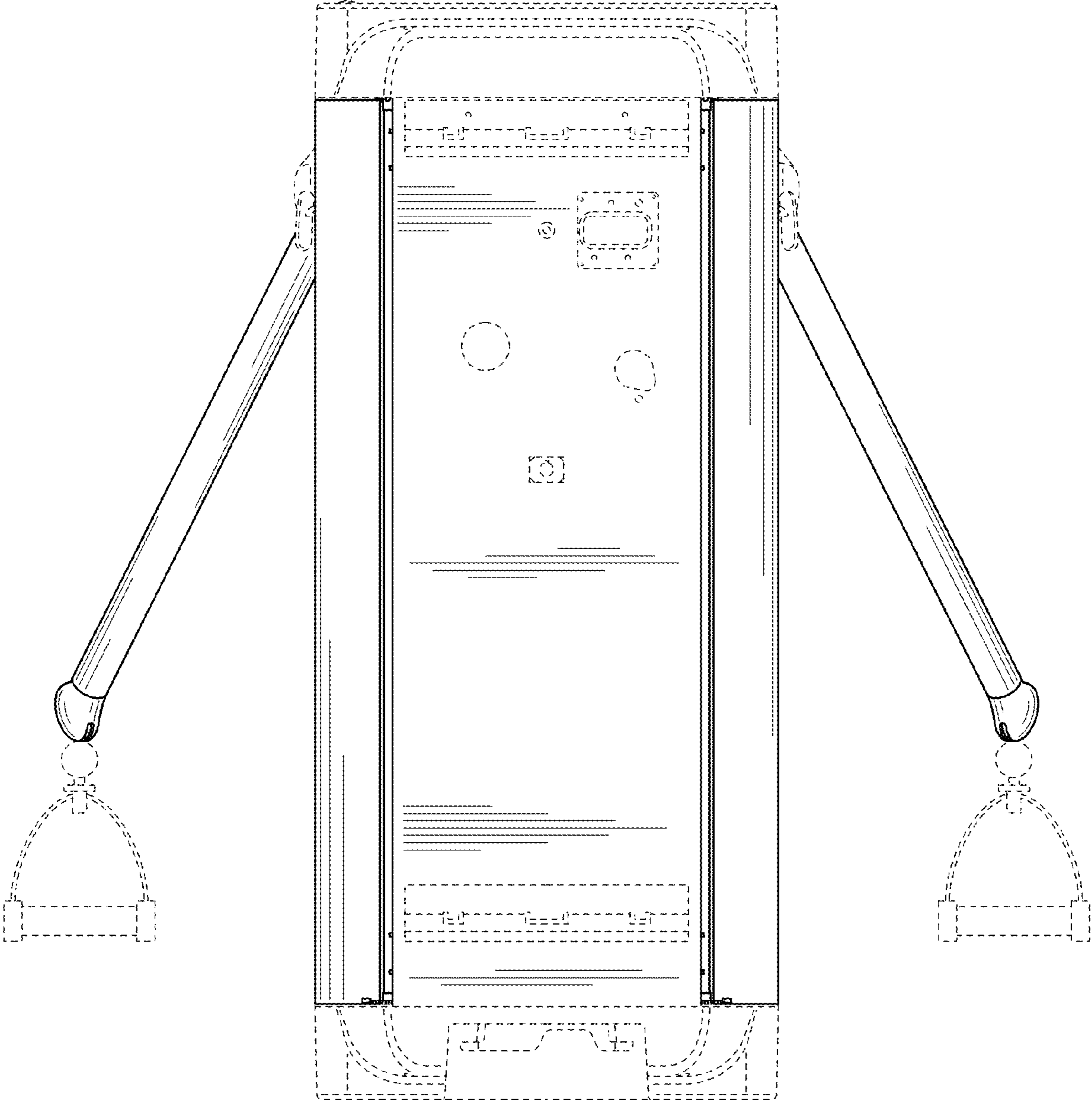


FIG. 3

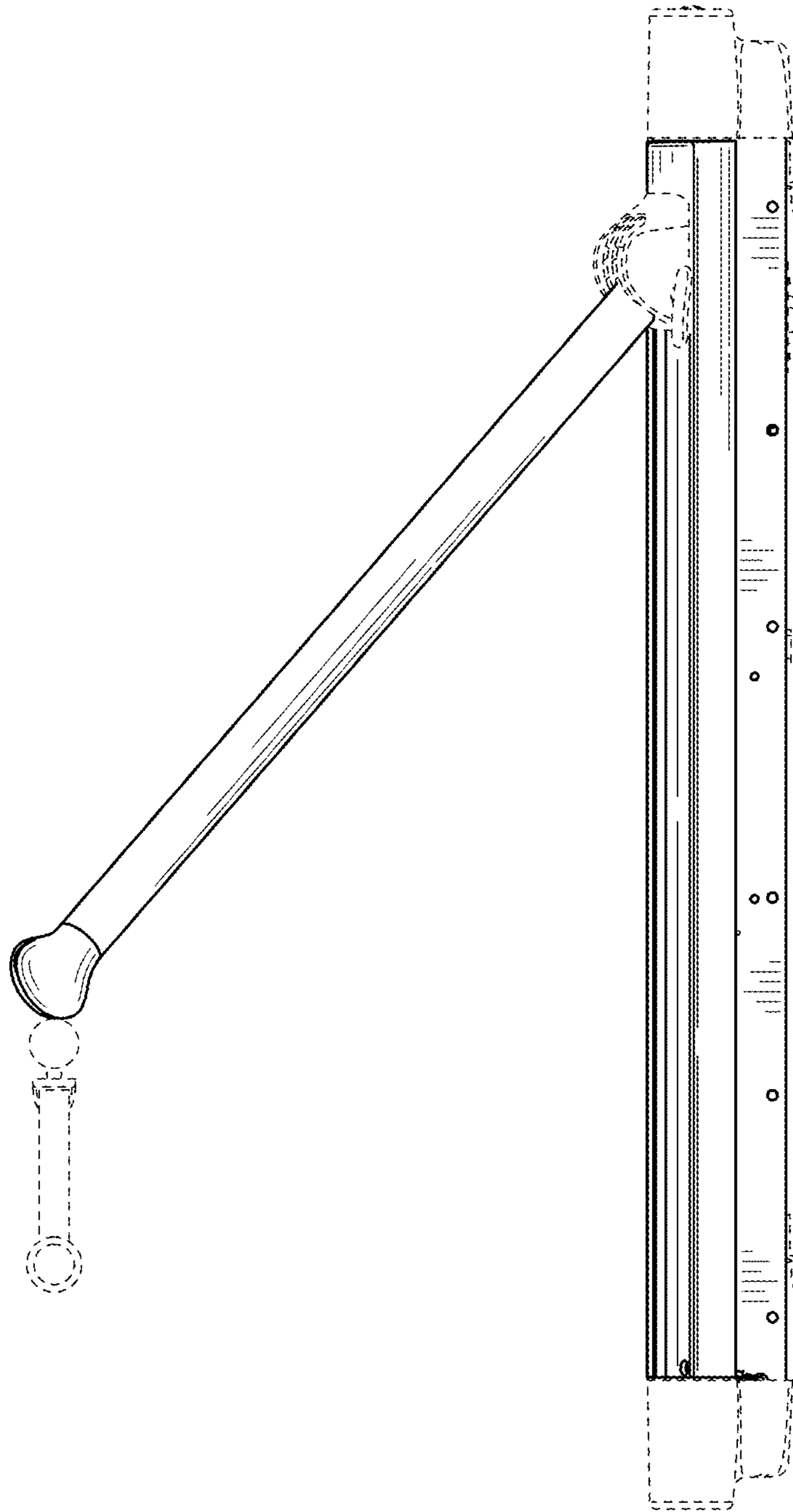


FIG. 4

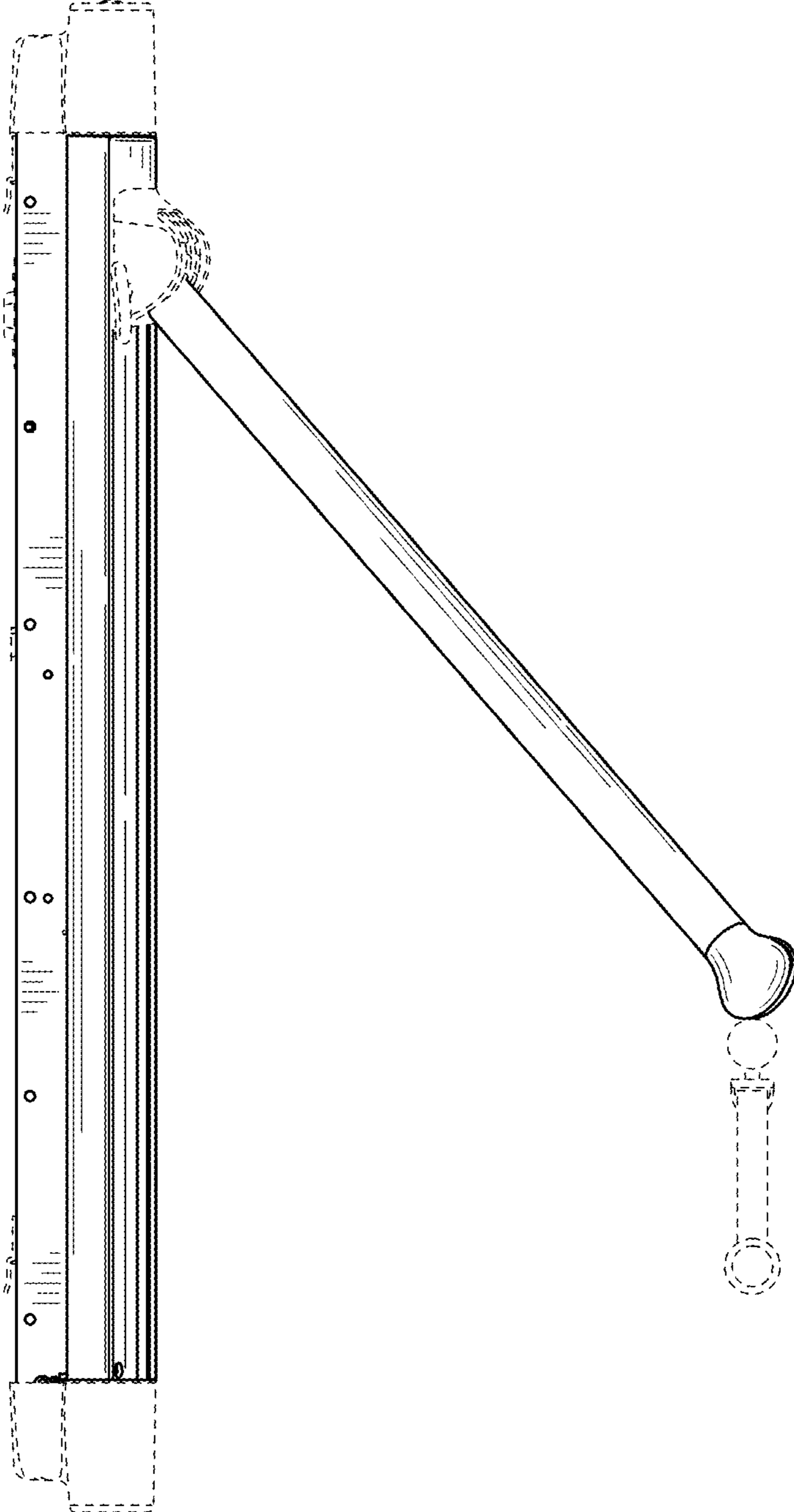


FIG. 5

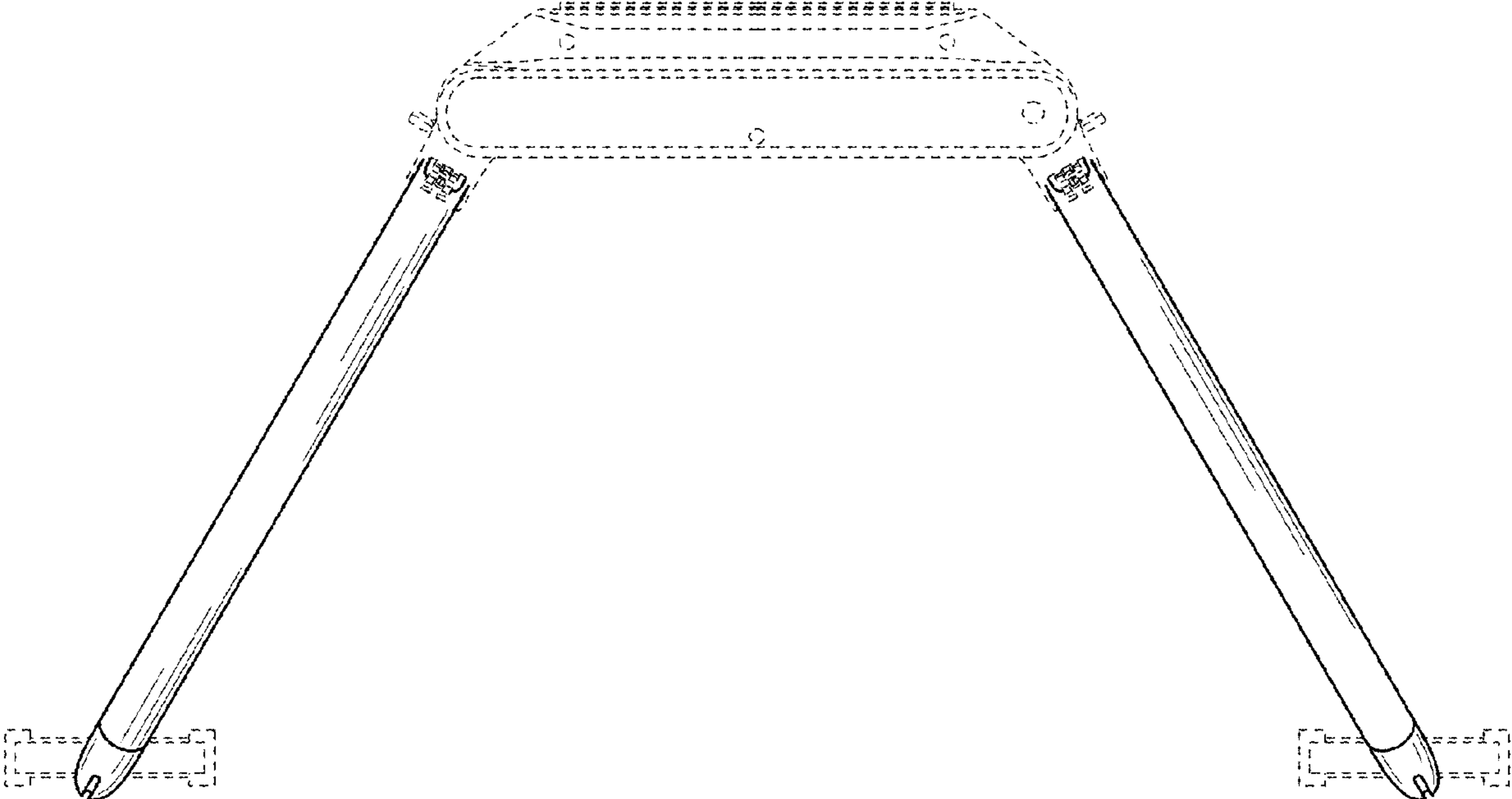


FIG. 6

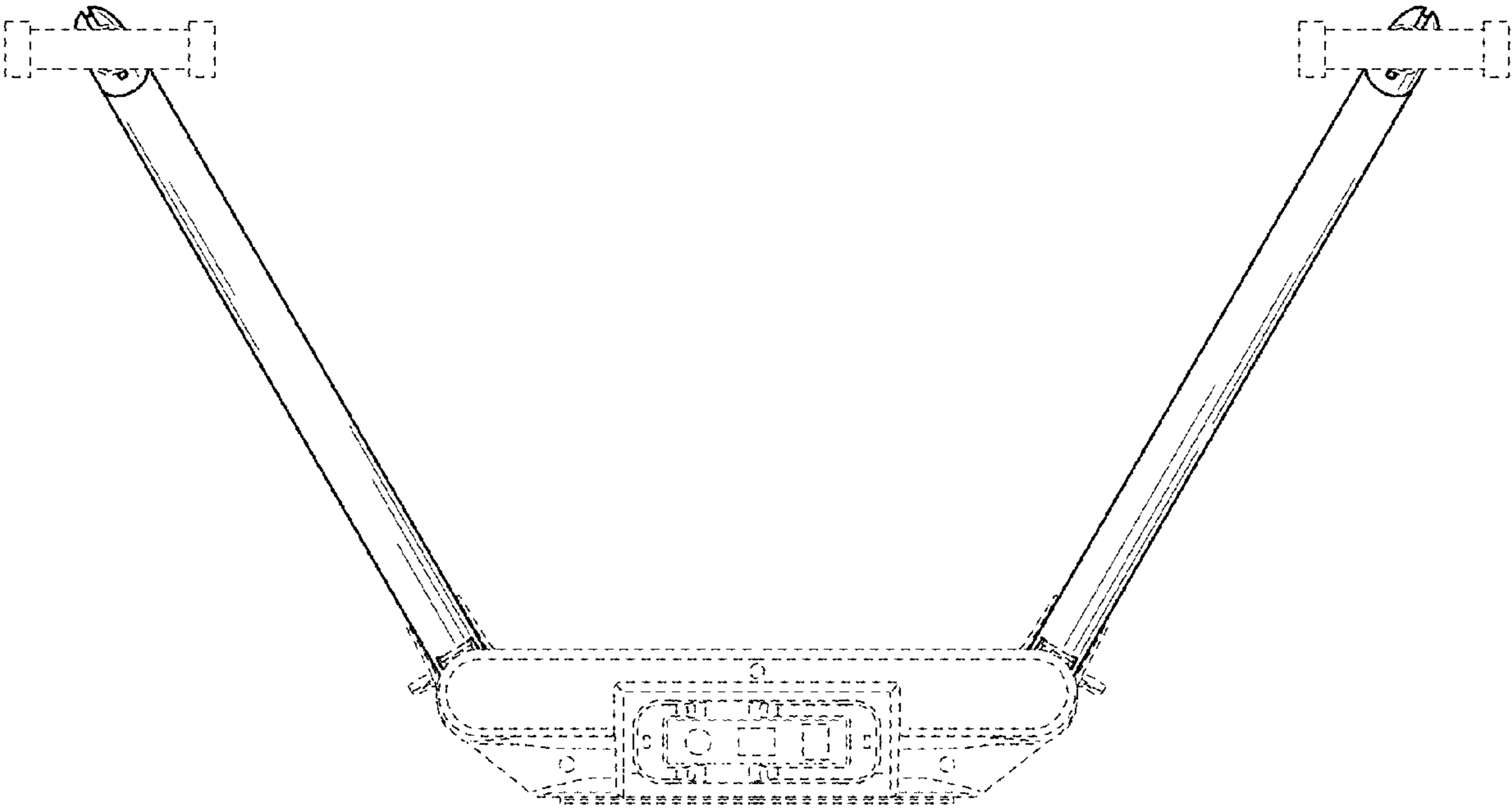


FIG. 7

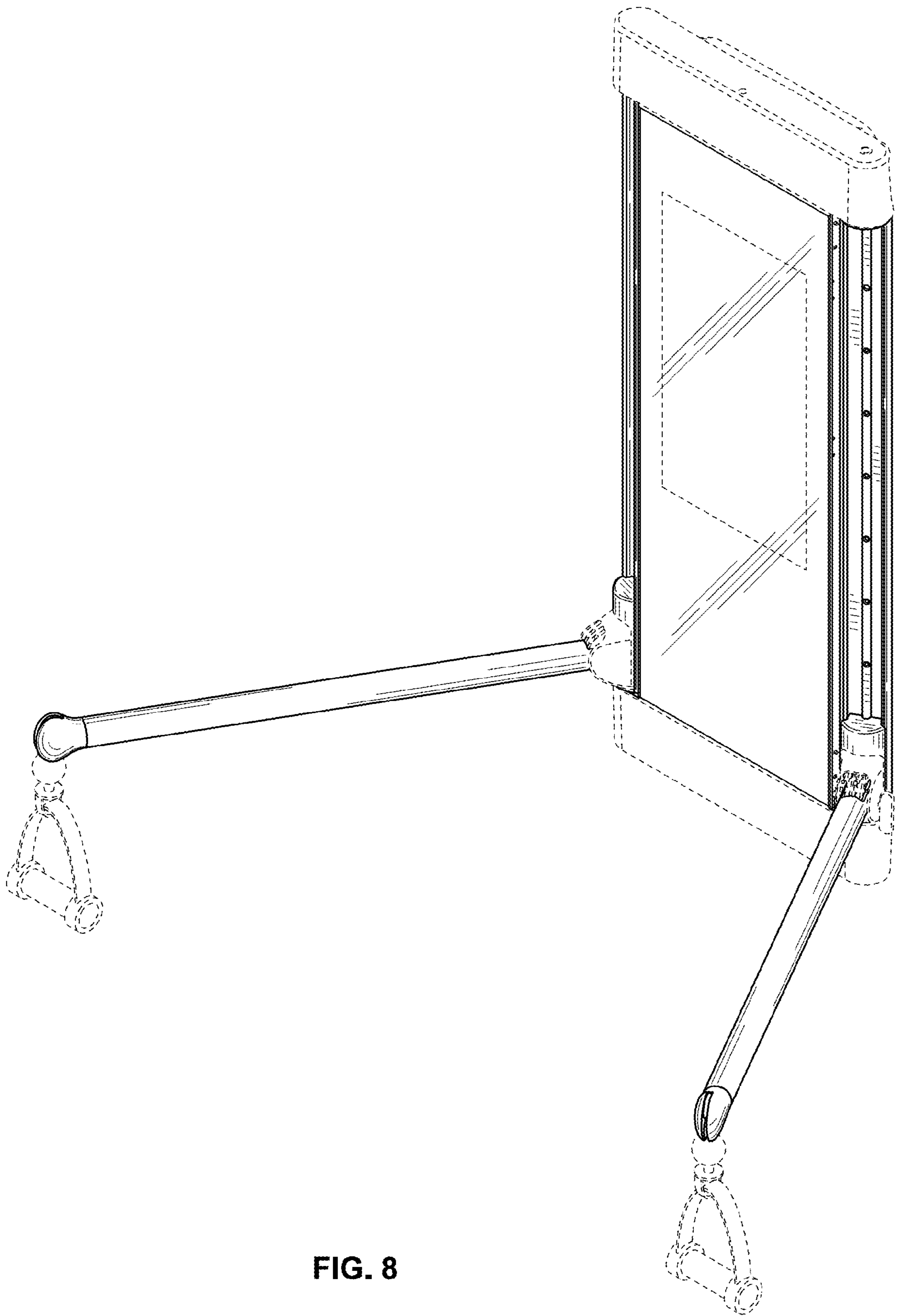


FIG. 8

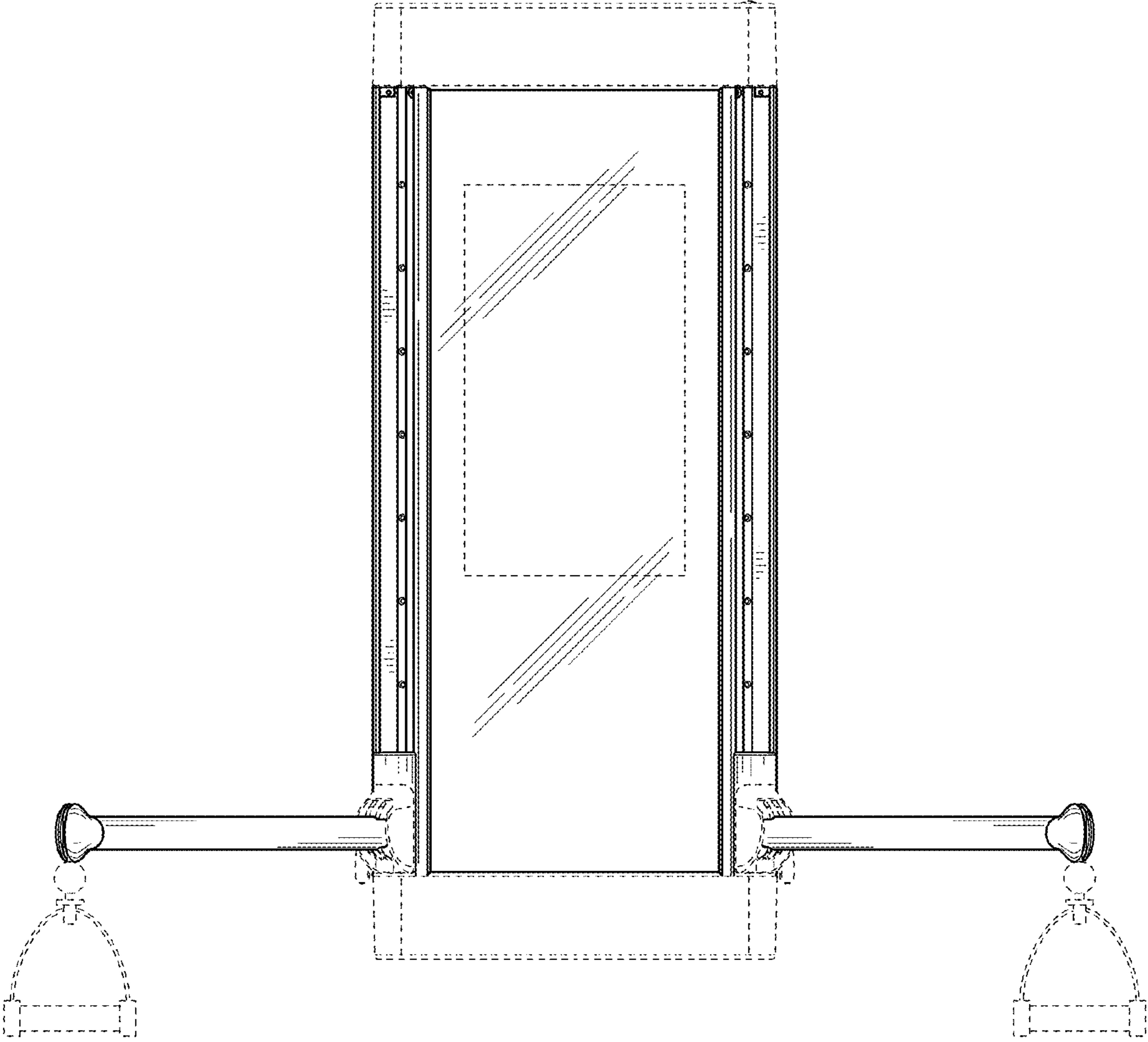


FIG. 9

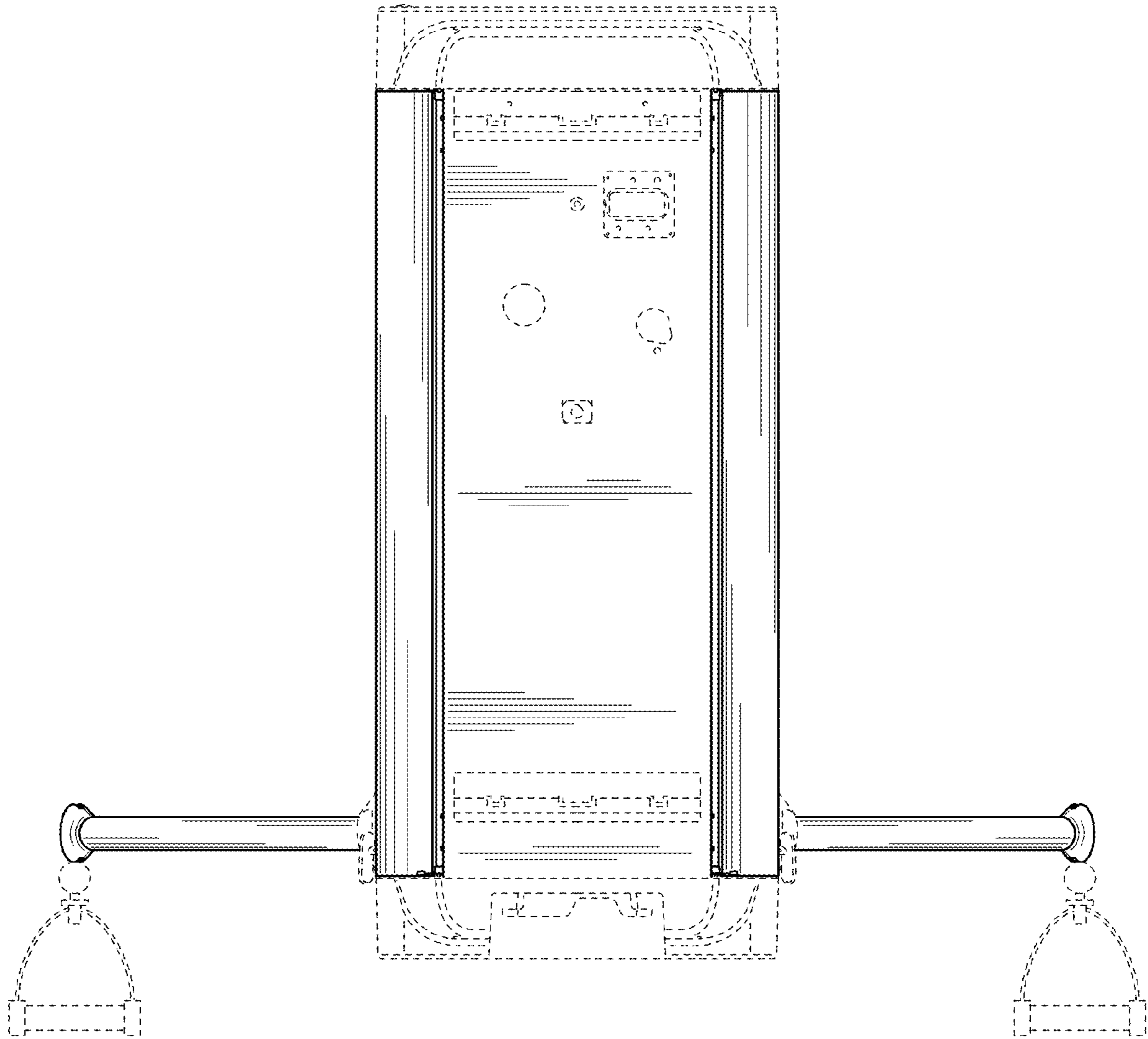


FIG. 10

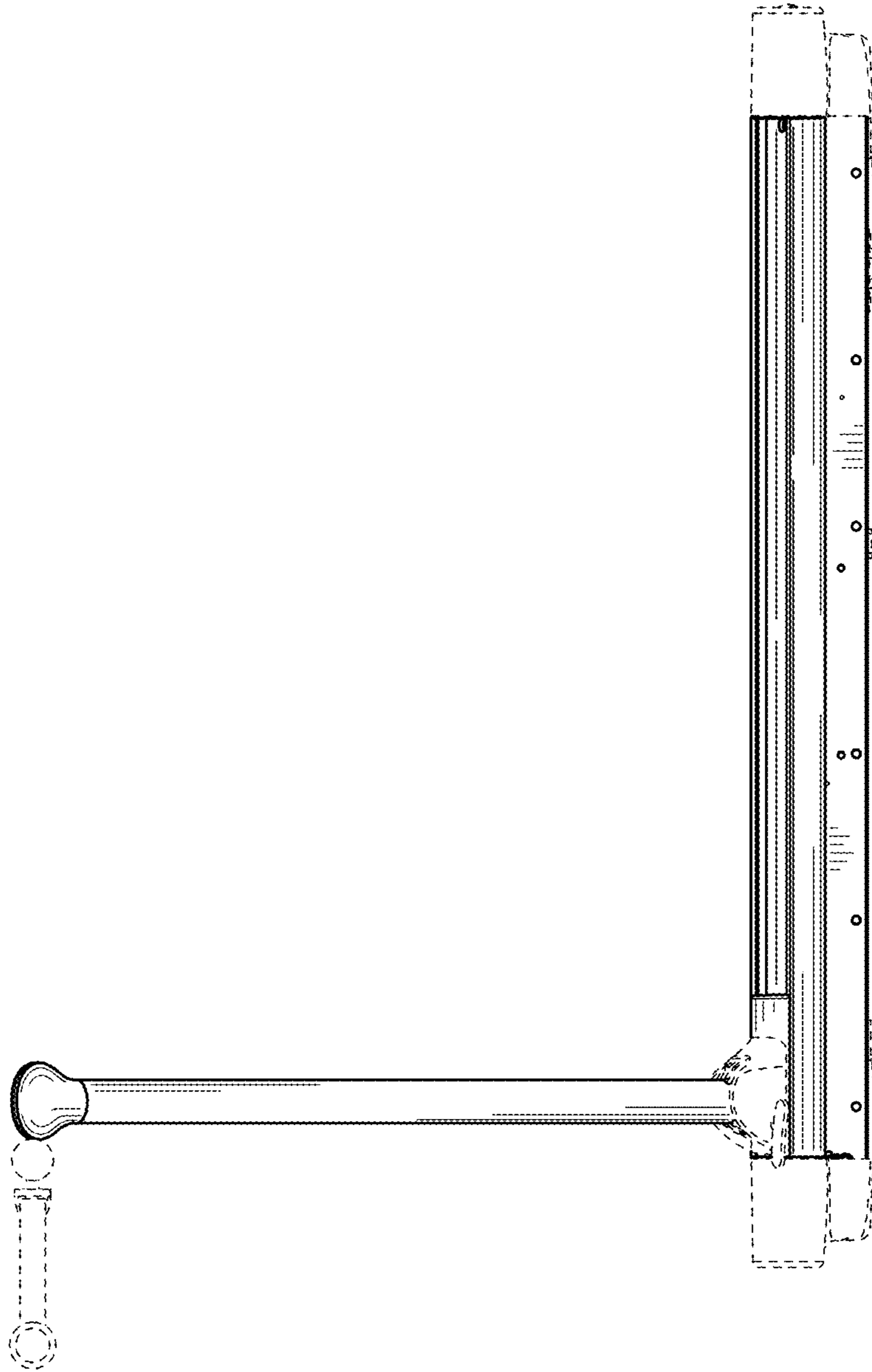


FIG. 11

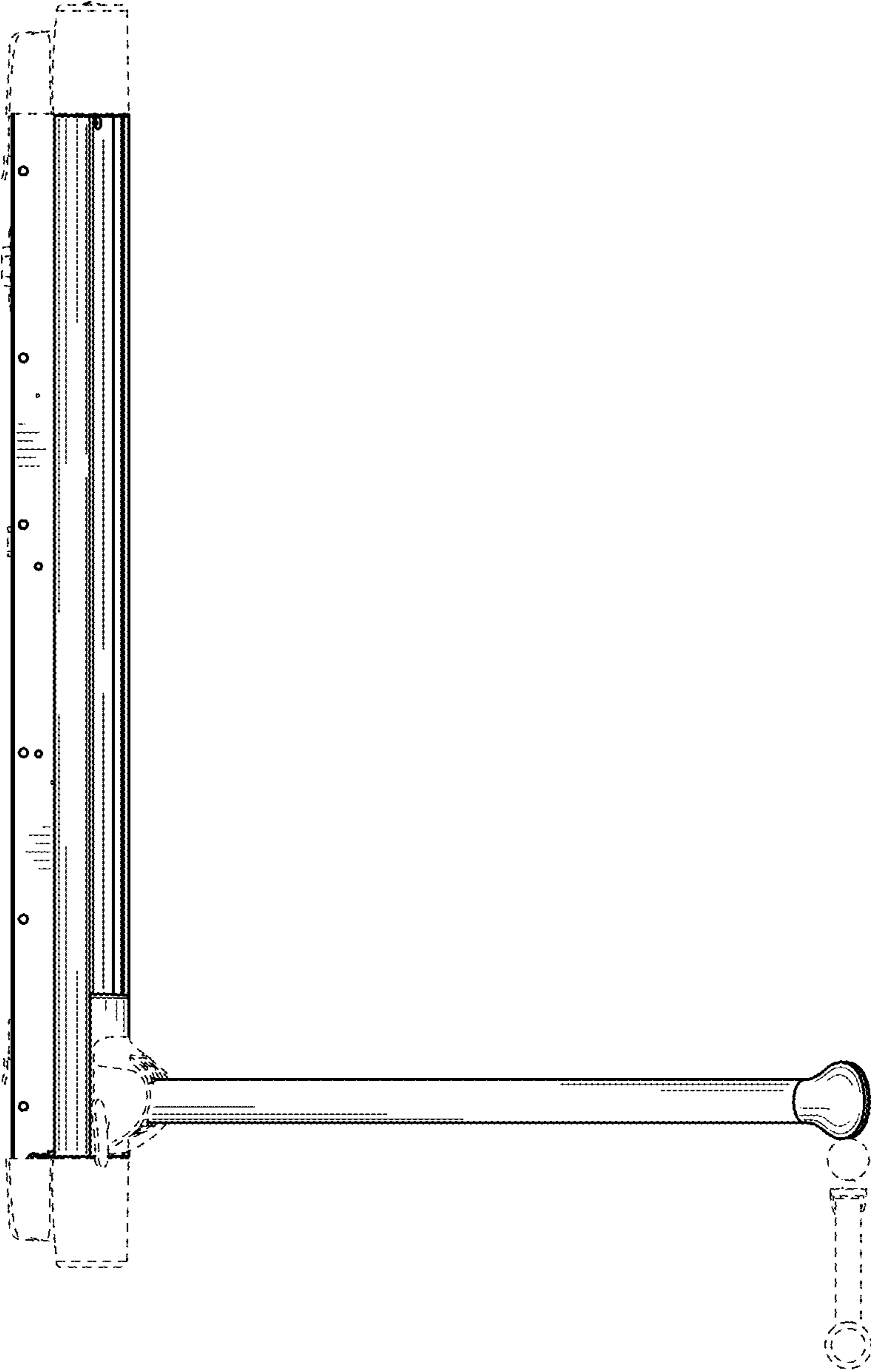


FIG. 12

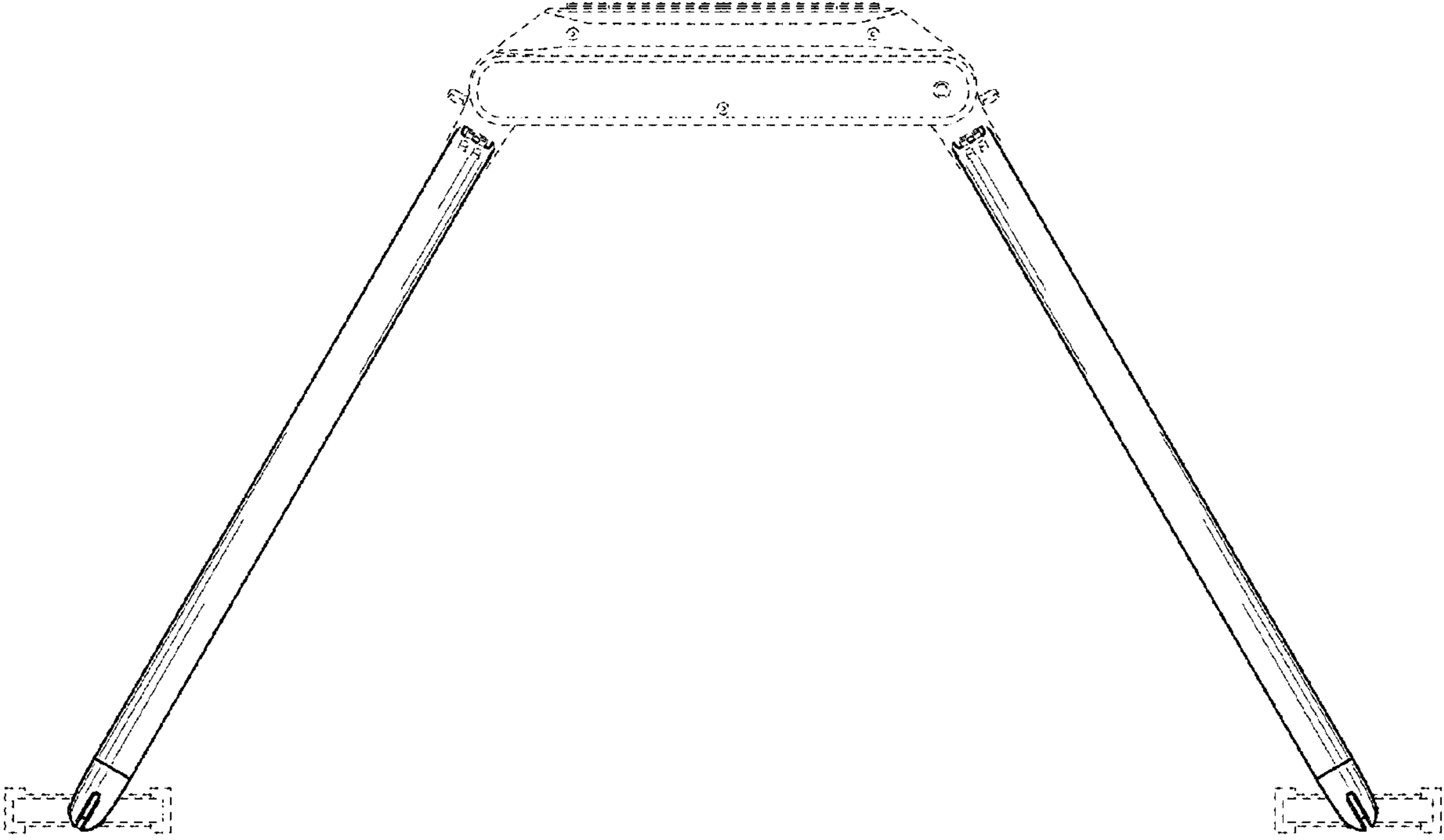


FIG. 13

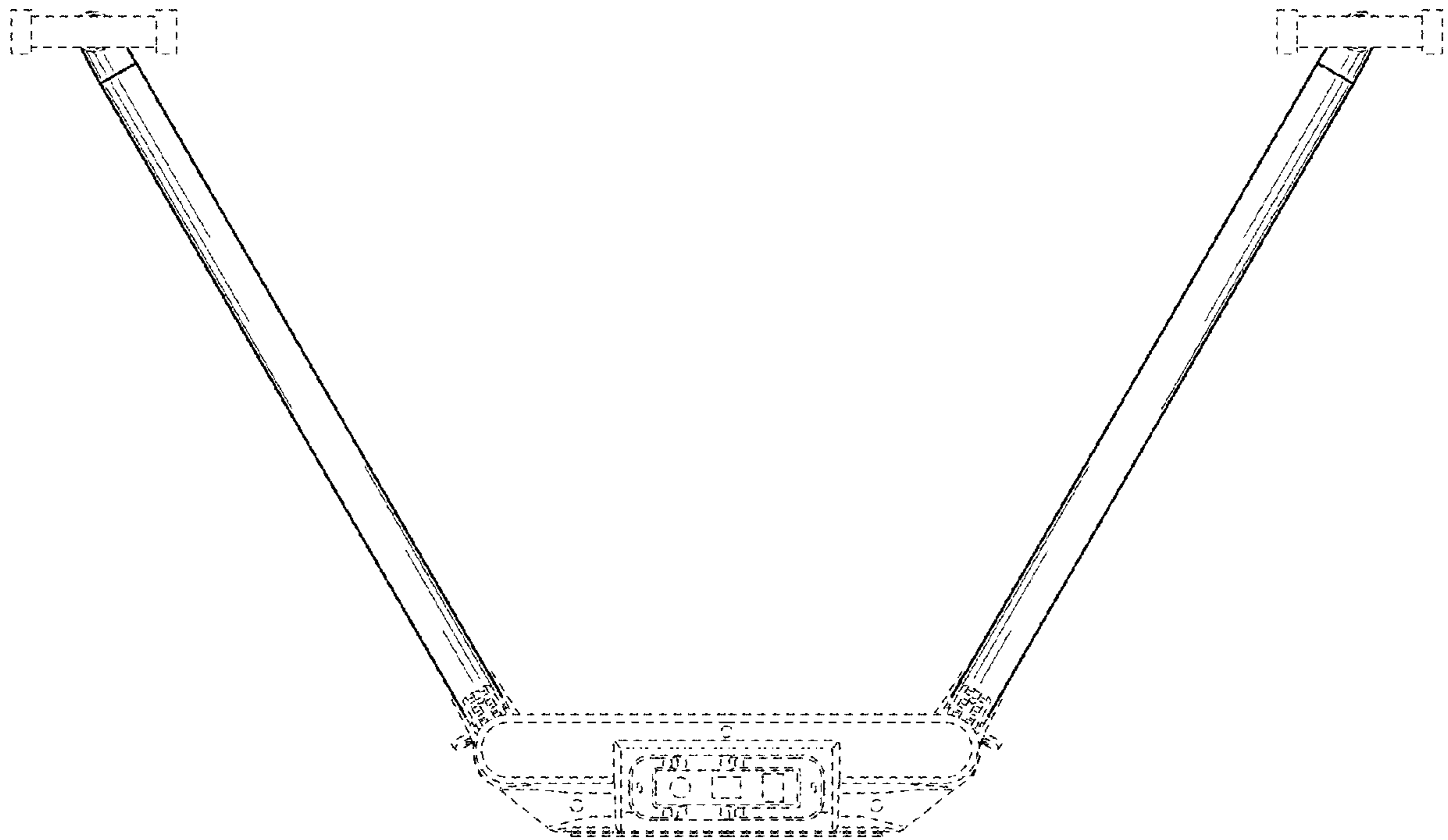


FIG. 14