



US00D921127S

(12) **United States Design Patent**
Kendall

(10) **Patent No.:** **US D921,127 S**

(45) **Date of Patent:** **** Jun. 1, 2021**

(54) **ELASTOMERIC BLOCK FOR MULTI-MODAL PLAY**

(71) Applicant: **Joseph Kendall**, Austin, TX (US)

(72) Inventor: **Joseph Kendall**, Austin, TX (US)

(**) Term: **15 Years**

(21) Appl. No.: **29/626,070**

(22) Filed: **Nov. 14, 2017**

(51) **LOC (13) Cl.** **21-01**

(52) **U.S. Cl.**
USPC **D21/499**

(58) **Field of Classification Search**
USPC D21/385, 386, 468, 470, 471, 484, 499,
D21/500, 501, 502, 504
CPC A63H 33/065; A63H 33/08; A63H 33/088;
A63H 33/10; A63H 33/102; A63H 33/108
See application file for complete search history.

(56) **References Cited**

U.S. PATENT DOCUMENTS

1,216,840	A *	2/1917	Ramsey et al.	A63H 33/105 446/122
2,093,341	A *	9/1937	Reiche	A63H 33/102 446/104
3,094,792	A *	6/1963	Morgan	A63F 3/0415 434/195
3,225,807	A *	12/1965	Watkins	F16B 37/00 411/304
3,374,917	A *	3/1968	Troy	E04B 2/18 220/23.4
3,496,670	A *	2/1970	Ryan	A63H 33/088 446/104
3,554,384	A *	1/1971	DeNatale	A47B 87/0276 211/194
3,672,681	A *	6/1972	Wolf	A63F 9/12 273/157 R

3,681,870	A *	8/1972	Alpert	A63H 33/108 446/122
D231,787	S *	6/1974	Burnley	D30/107
3,987,579	A *	10/1976	Palenik, III	A63H 33/108 446/118
4,012,153	A *	3/1977	Pidgeon	F16B 7/185 403/170
4,326,354	A *	4/1982	Hagberg	A63H 33/108 446/126
4,547,160	A *	10/1985	Labelle	G09B 1/40 273/292
D283,635	S *	4/1986	Kato	D21/499
D296,342	S *	6/1988	Knudsen	D21/499

(Continued)

Primary Examiner — Cynthia M. Chin

(74) *Attorney, Agent, or Firm* — Ellenoff Grossman & Schole LLP; James M. Smedley; Alex Korona

(57) **CLAIM**

I claim the ornamental design for an elastomeric block for multi-modal play, as shown and described.

DESCRIPTION

FIG. 1 is a top, front, right perspective view showing the elastomeric block for multi-modal play on its bottom side, which is a mirror image of the bottom, back, left perspective view.

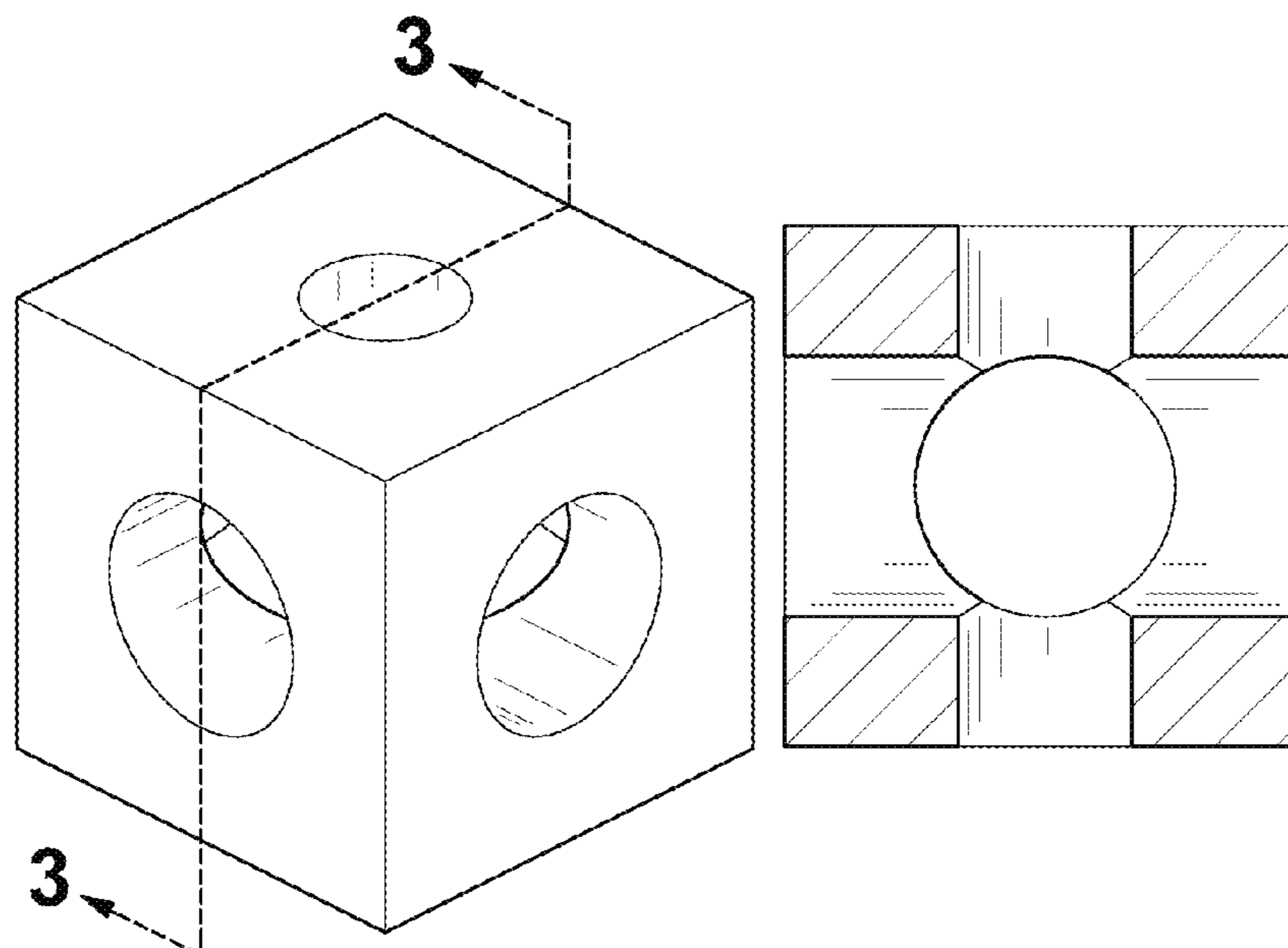
FIG. 2 is a back, bottom, left perspective view of the elastomeric block for multi-modal play on its front side, which is a mirror image of the front, top, right perspective view.

FIG. 3 is a cross section view taken in the direction of 3-3 in FIG. 1; and,

FIG. 4 is a perspective cross section view taken in the direction of 4-4 in FIG. 2.

The shading lines shown in the drawings represent the approximate three-dimensional contour of the design, and are not intended to indicate surface decoration.

1 Claim, 1 Drawing Sheet



(56)

References Cited

U.S. PATENT DOCUMENTS

5,013,245 A * 5/1991 Benedict G09B 1/10
434/113
5,306,198 A * 4/1994 Forman A63F 9/0098
446/116
D346,627 S * 5/1994 Bach D21/501
5,520,396 A * 5/1996 Therrien A63F 9/34
273/156
5,554,062 A * 9/1996 Goldsen A63F 9/0098
434/171
6,322,414 B1 * 11/2001 Lin A63H 33/10
446/122
D490,484 S * 5/2004 Auberger D21/499
D528,869 S * 9/2006 Van Hook D21/501
D629,920 S * 12/2010 Tezak D25/114
D660,919 S * 5/2012 Perrin D21/478
D837,306 S * 1/2019 Patison D21/499
10,272,353 B2 * 4/2019 Oh A63B 1/00
10,302,245 B2 * 5/2019 Smith G02B 7/004
D857,805 S * 8/2019 Jensen D21/499
2003/0013374 A1 * 1/2003 Lin A63H 33/04
446/85
2009/0239441 A1 * 9/2009 Hu A63H 33/10
446/123
2016/0346708 A1 * 12/2016 Yim A63H 33/088
2016/0375371 A1 * 12/2016 Slepov A63H 33/12
446/85
2018/0133614 A1 * 5/2018 Kendall A63H 33/065
2020/0222821 A1 * 7/2020 Lange A63H 33/088

* cited by examiner

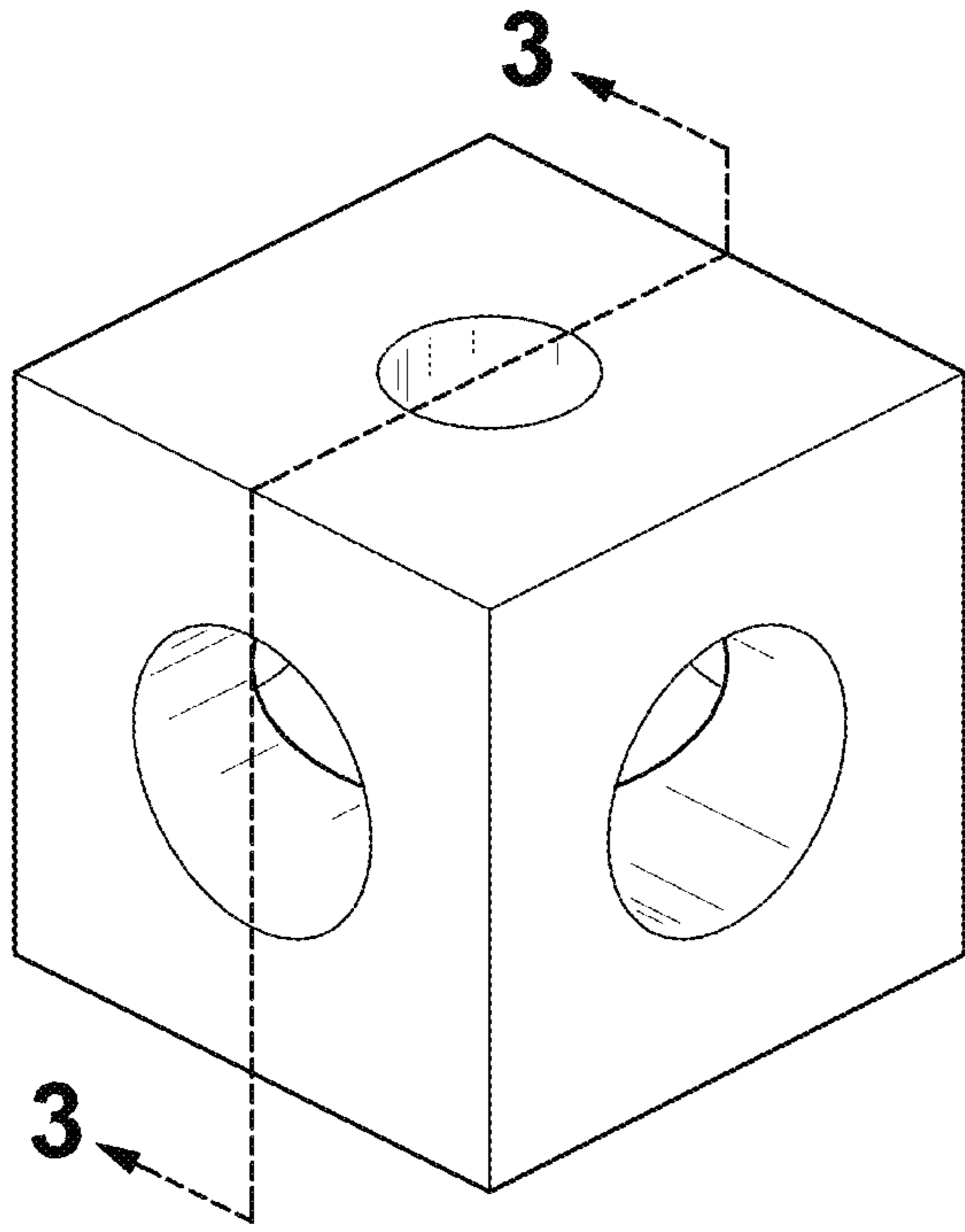


FIG. 1

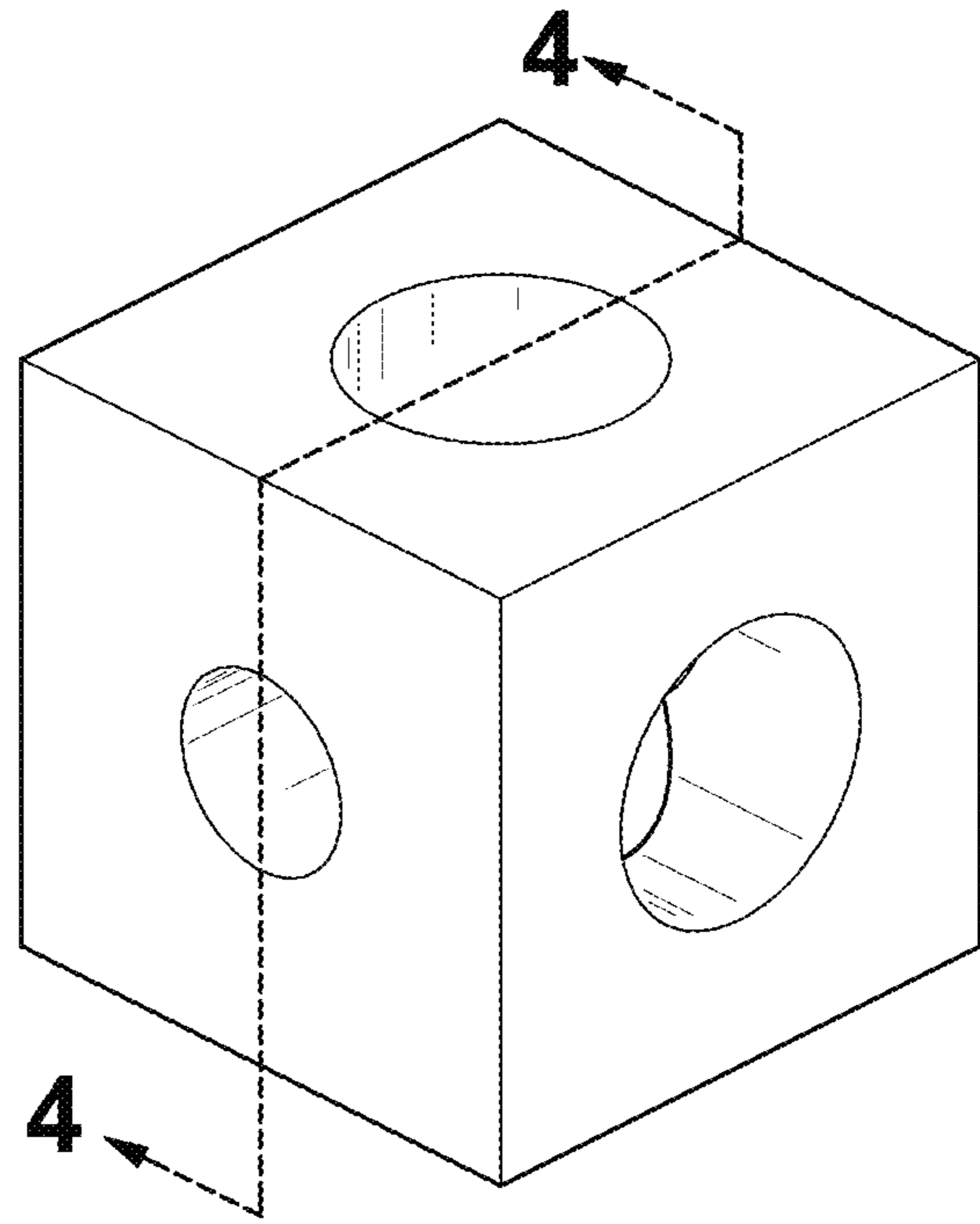


FIG. 2

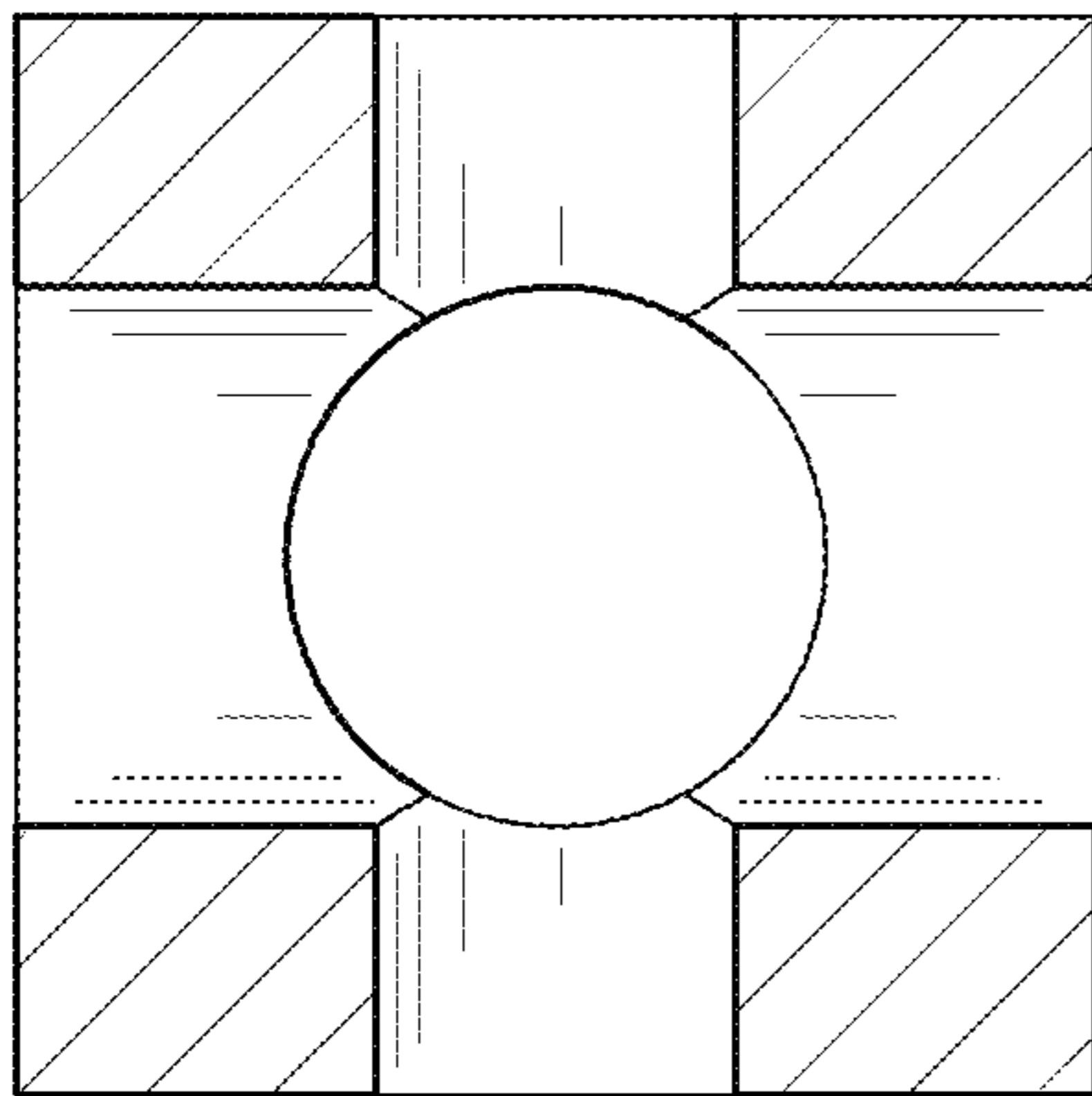


FIG. 3

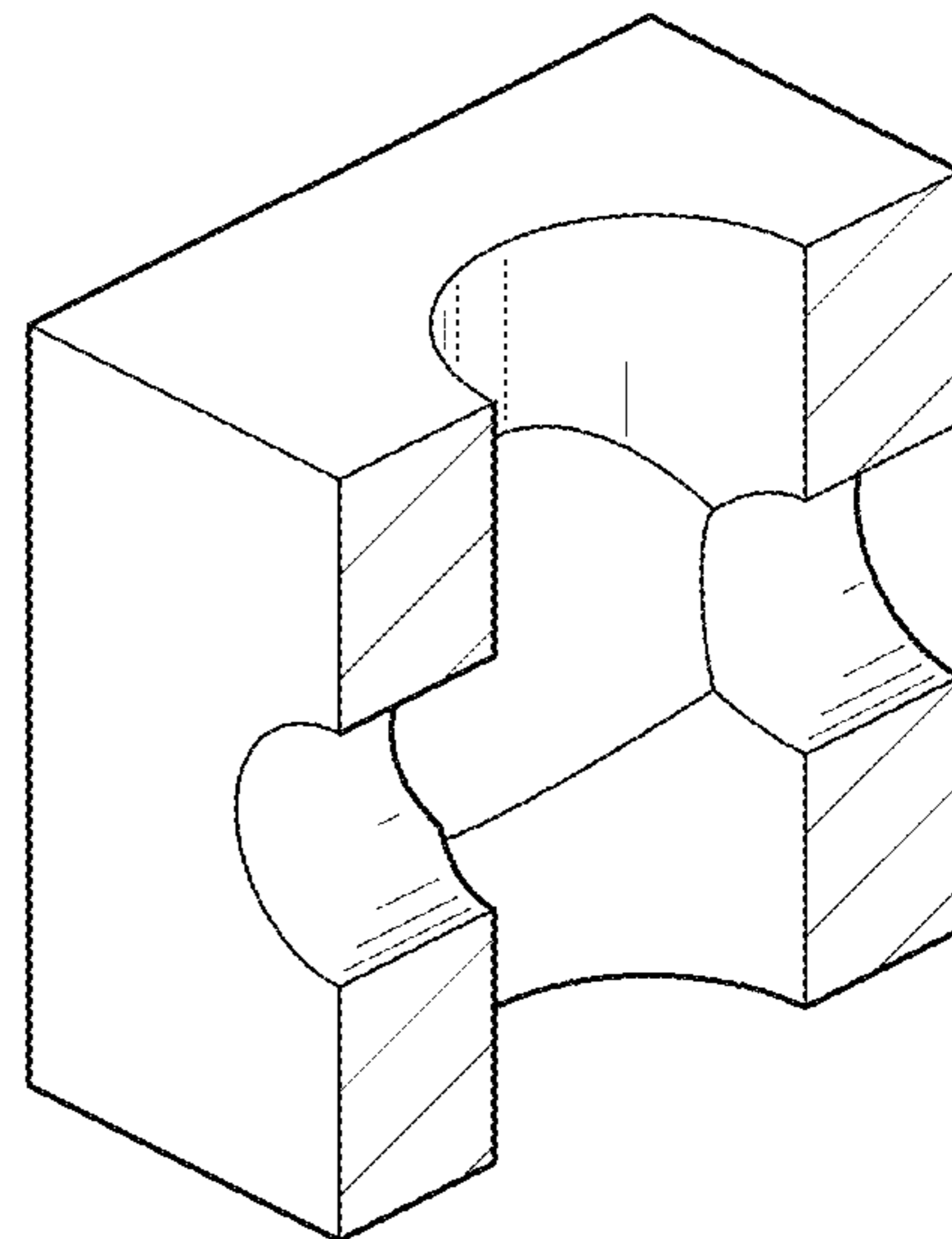


FIG. 4