



US00D921124S

(12) **United States Design Patent** (10) **Patent No.:** **US D921,124 S**
Singh et al. (45) **Date of Patent:** **** Jun. 1, 2021**

(54) **SCOOTER**
(71) Applicants: **Snap Pop**, Coto de Caza, CA (US);
1867361 ONTARIO INC, Etobicoke (CA)
(72) Inventors: **Amit Singh**, Coto de Caza, CA (US);
Robert Douglas Stewart, Etobicoke (CA)
(73) Assignees: **Snap Pop**, Coto de Caza, CA (US);
1867361 ONTARIO INC, Etobicoke (CA)
(**) Term: **15 Years**
(21) Appl. No.: **29/714,267**
(22) Filed: **Nov. 21, 2019**
(51) **LOC (13) Cl.** **21-01**
(52) **U.S. Cl.**
USPC **D21/423**
(58) **Field of Classification Search**
USPC D21/412, 414, 415, 416, 417, 419, 421,
D21/423, 424-428, 429, 432, 435, 611,
D21/760, 763, 765, 771; D12/1, 110
CPC B62K 3/002; B62K 9/00; B62K 2202/00;
B62K 15/00; B62K 2015/001; B62K
2015/003; B60Y 2200/126
See application file for complete search history.

(56) **References Cited**
U.S. PATENT DOCUMENTS
D55,838 S * 7/1920 Badgley D21/425
D78,317 S * 4/1929 Standers D21/428
D87,060 S * 5/1932 Hebig D21/428
D170,947 S * 11/1953 Scheppele D21/428
D206,600 S * 1/1967 Elzaurdia et al. D21/611
D246,738 S * 12/1977 Nakao D21/611
D247,862 S * 5/1978 Nakao D21/428

4,373,715 A * 2/1983 Henn A63G 19/00
4/476
4,741,544 A * 5/1988 Kassai B62K 9/00
280/1.13
D347,809 S * 6/1994 Choi D12/108
D397,964 S * 9/1998 Bratton D12/108
D418,553 S * 1/2000 Sisler D21/611
D431,054 S * 9/2000 Cheng D12/108
D467,688 S * 12/2002 Yamazaki D21/611
D544,553 S * 6/2007 Lensvelt D21/592
D558,935 S * 1/2008 Rutherford D21/611
D575,358 S * 8/2008 Gibson D11/158
D630,258 S * 1/2011 Ivanic D21/401
D665,034 S * 8/2012 Grossman D21/423
D681,744 S * 5/2013 Hengel D21/611
D707,308 S * 6/2014 Carlson D21/611
9,162,724 B2 * 10/2015 Desberg B62K 3/002
D759,767 S * 6/2016 Majure Maysan D21/612
D777,261 S * 1/2017 Desberg D21/423
D882,000 S * 4/2020 Tompkin D21/578

(Continued)

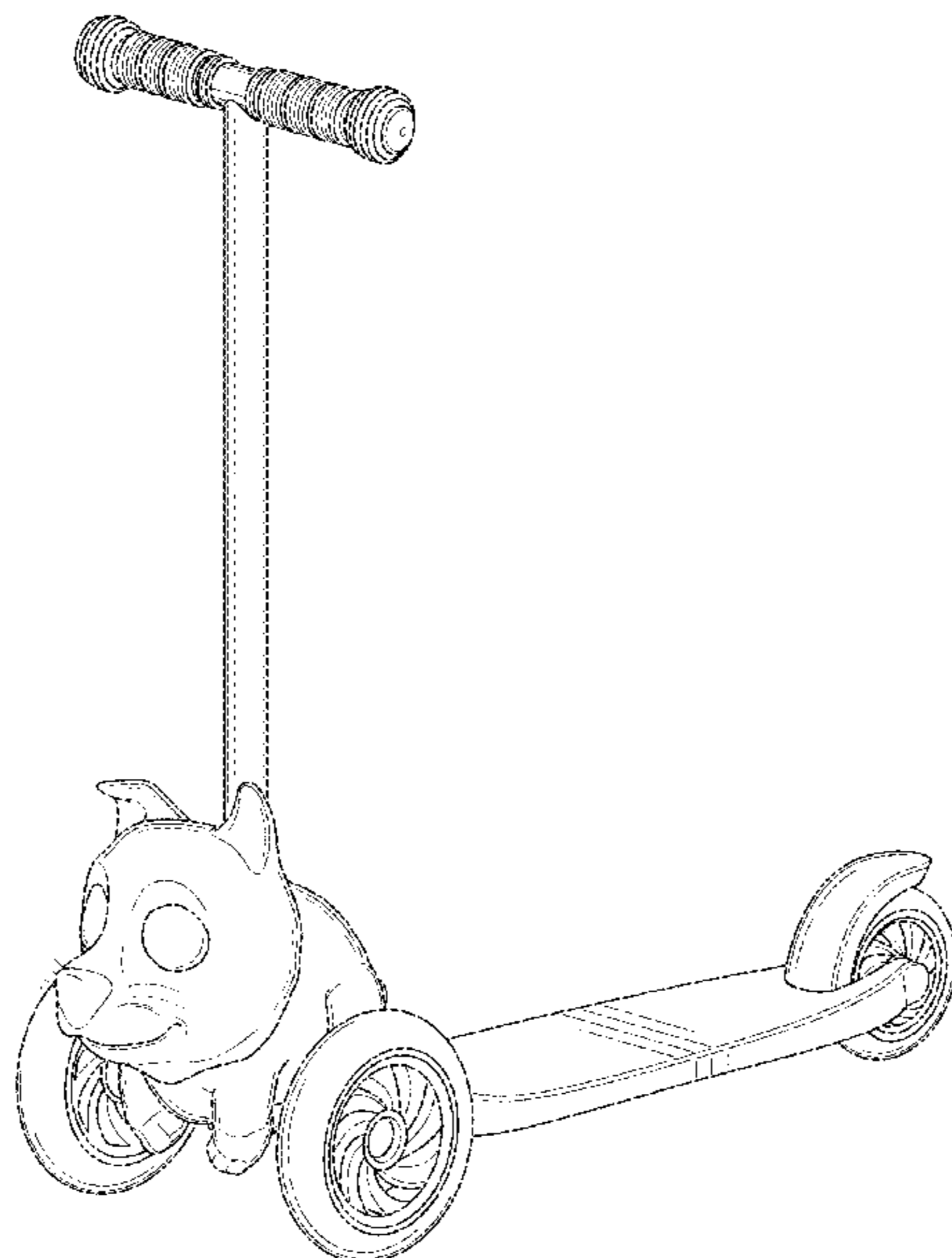
Primary Examiner — Cynthia M. Chin
(74) *Attorney, Agent, or Firm* — Sterne, Kessler,
Goldstein & Fox P.L.L.C.

(57) **CLAIM**
The ornamental design for a scooter, as shown and described.

DESCRIPTION

FIG. 1 is a perspective view of a scooter showing the claimed design;
FIG. 2 is a front elevational view thereof;
FIG. 3 is a rear elevational view thereof;
FIG. 4 is a left side elevational view thereof;
FIG. 5 is a right side elevational view thereof;
FIG. 6 is a top plan view thereof; and,
FIG. 7 is a bottom plan view thereof.
The broken lines in the figures show portions of the scooter that form no part of the claimed design.

1 Claim, 7 Drawing Sheets



(56)

References Cited

U.S. PATENT DOCUMENTS

2015/0115558 A1* 4/2015 Desberg B62K 9/02
280/87.041
2016/0347395 A1* 12/2016 Nelson-Pondrom B62J 9/21
2020/0353370 A1* 11/2020 Singh B62K 15/006

* cited by examiner

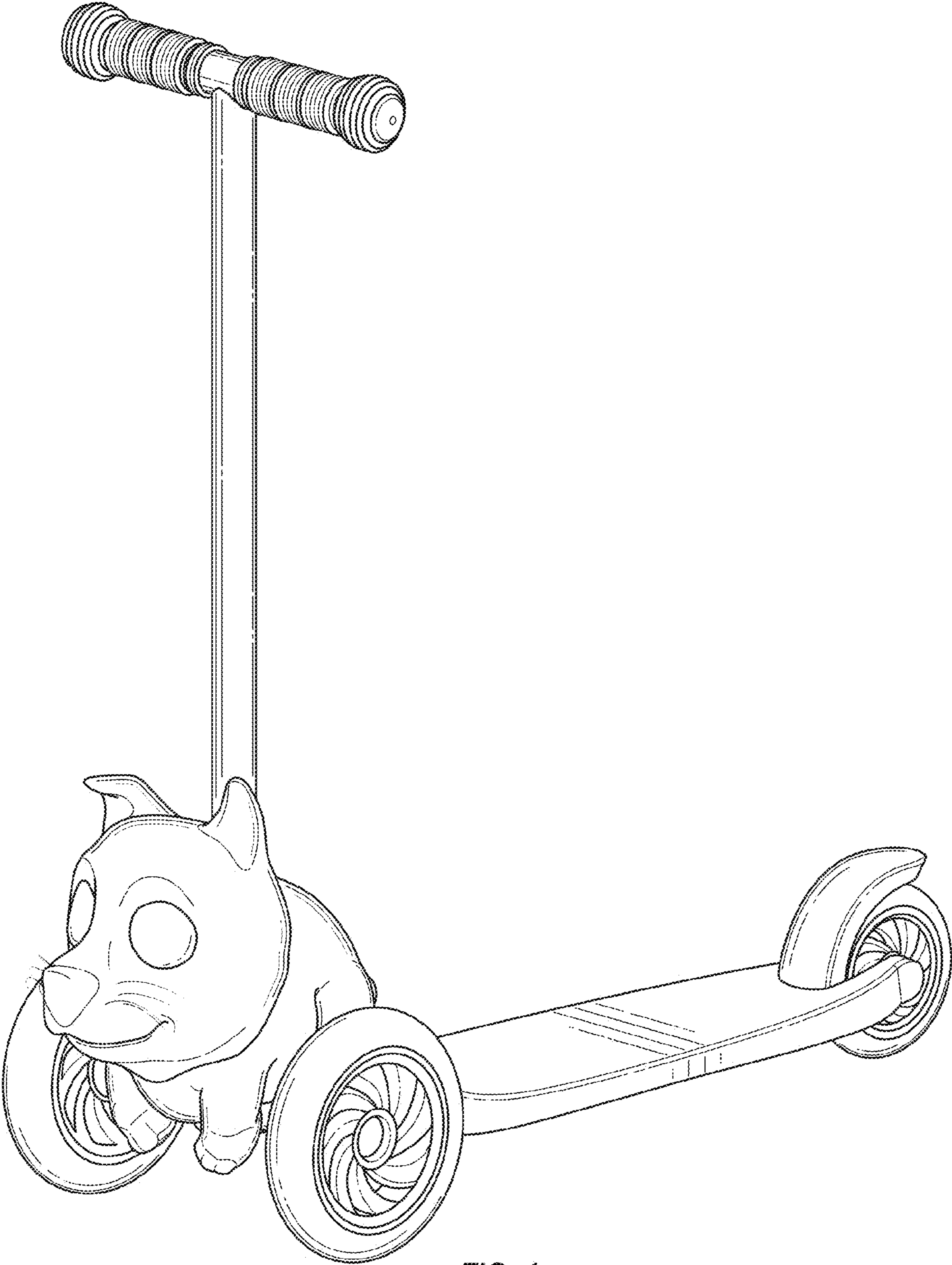


FIG. 1

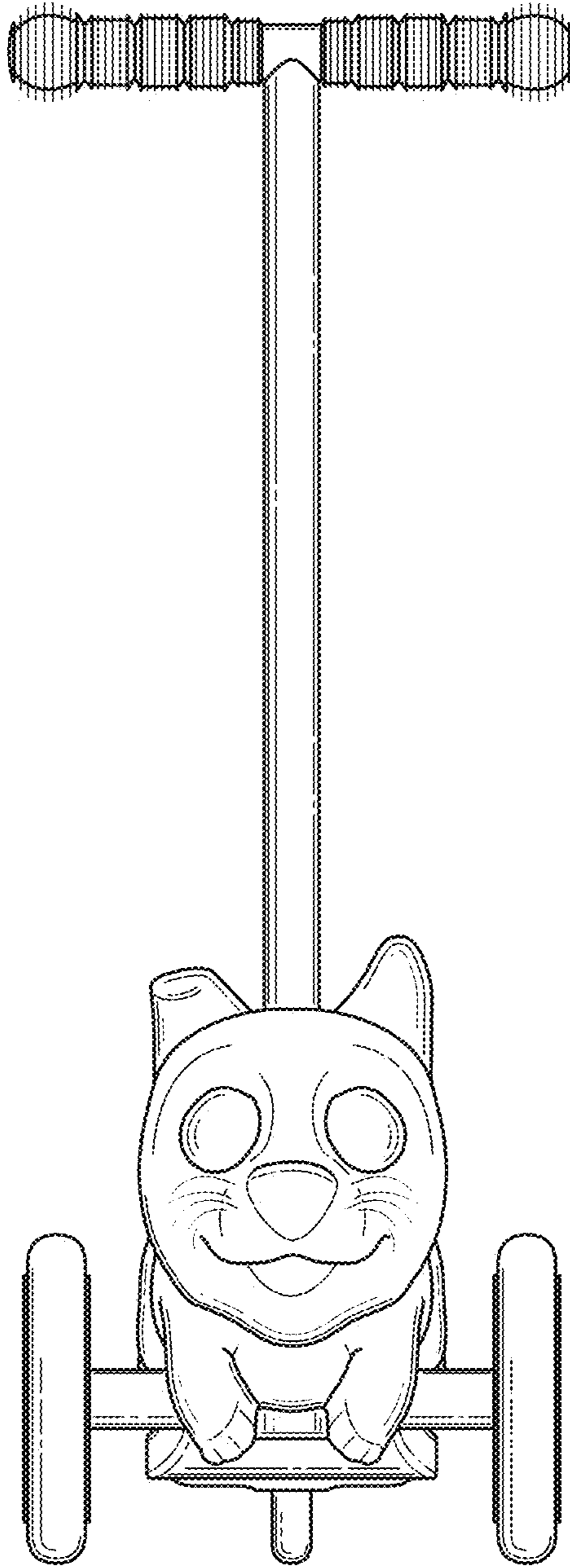


FIG. 2

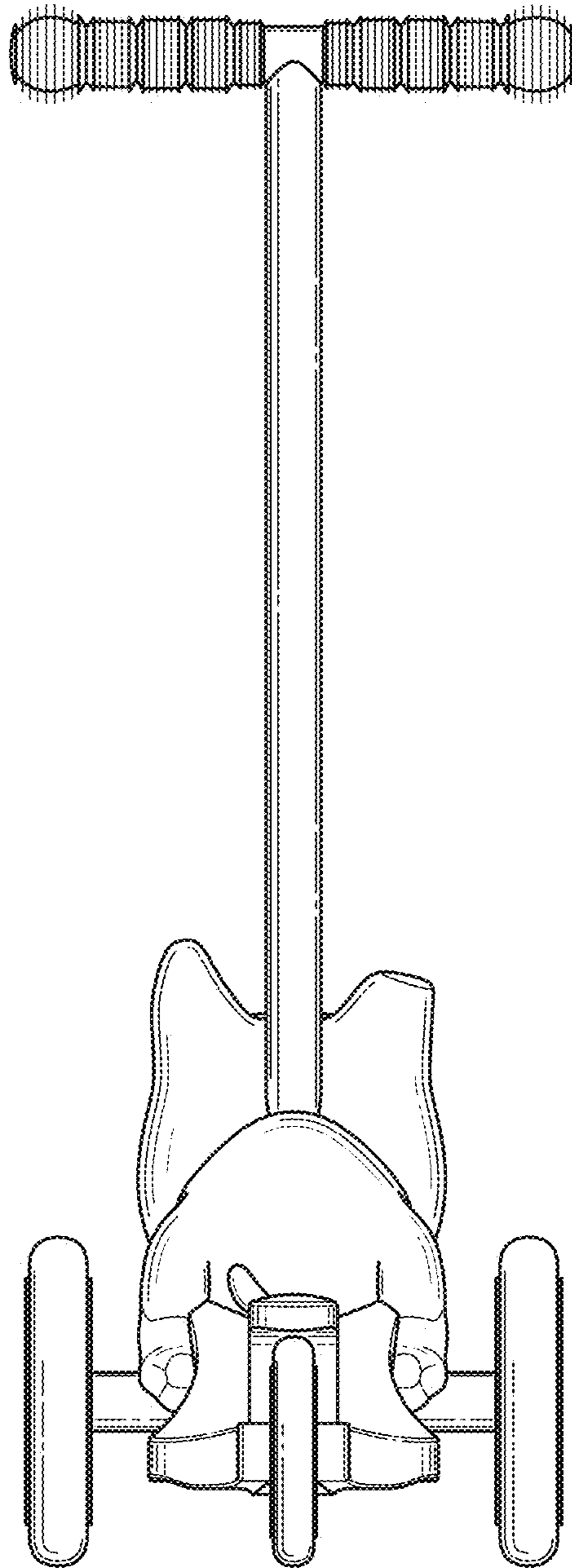


FIG. 3

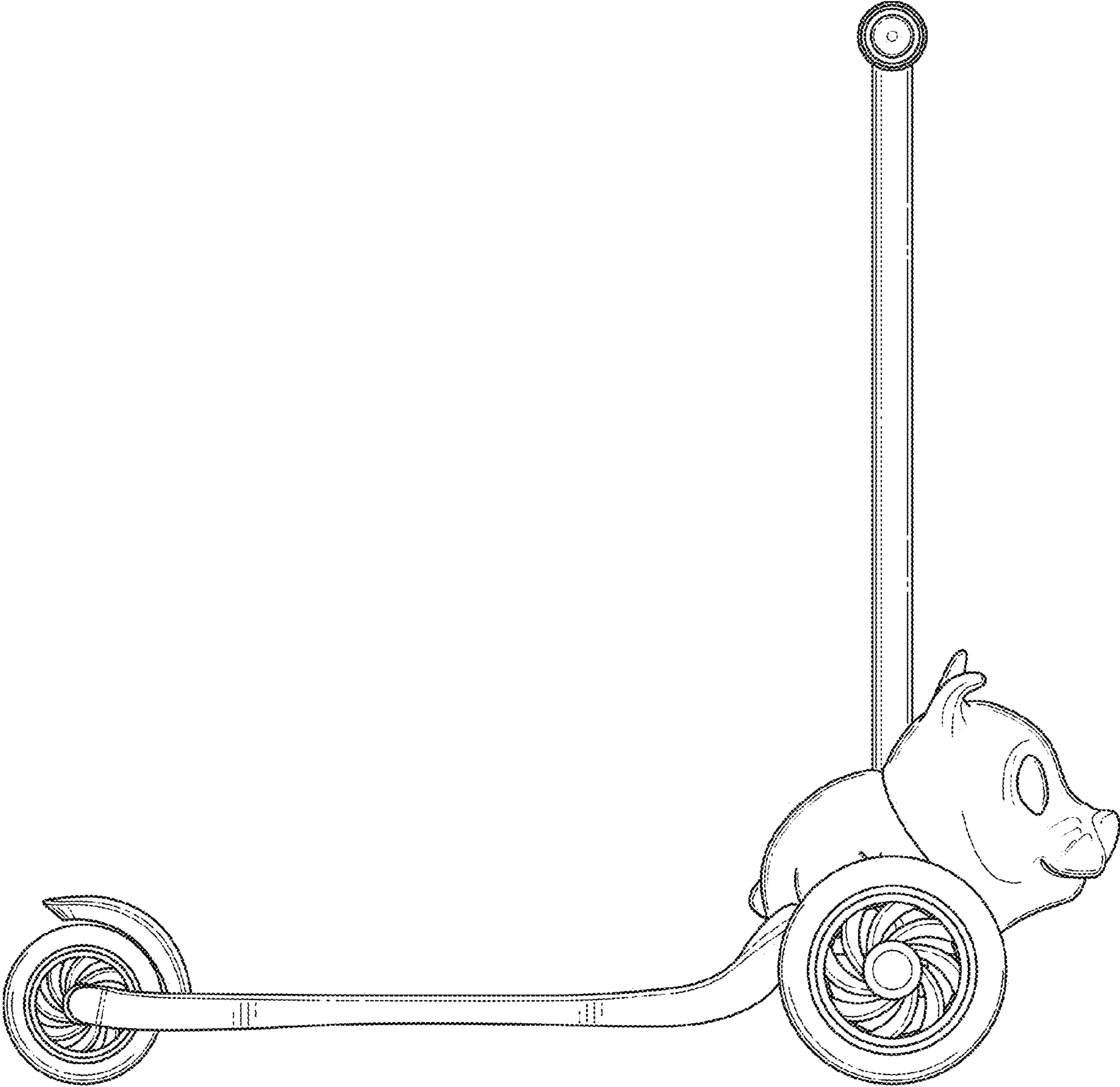


FIG. 4

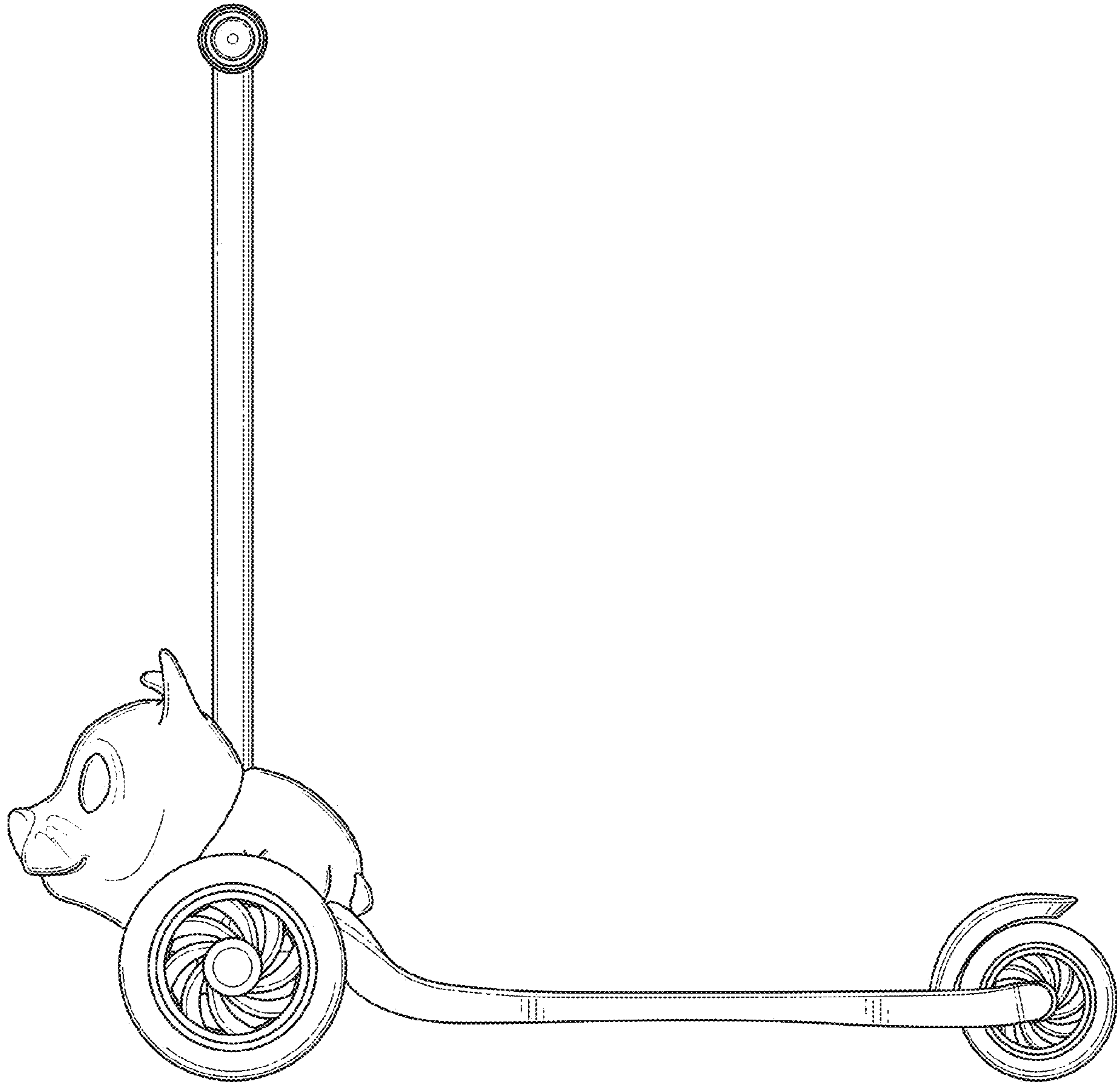


FIG. 5

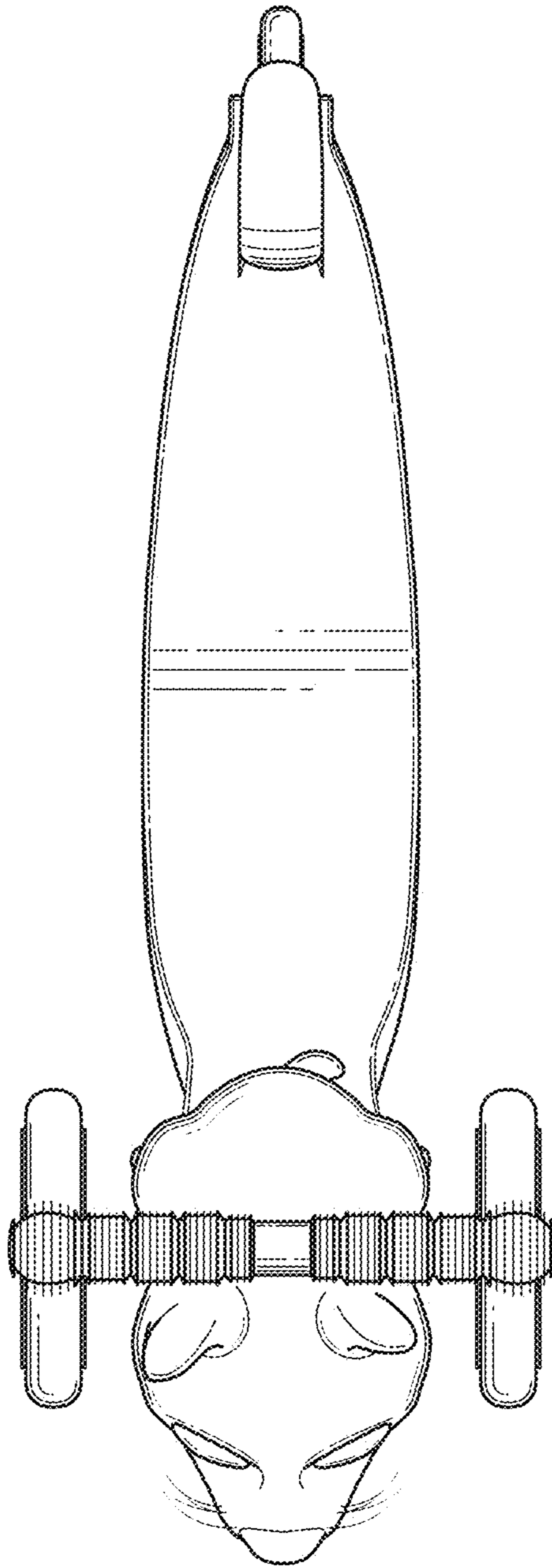


FIG. 6

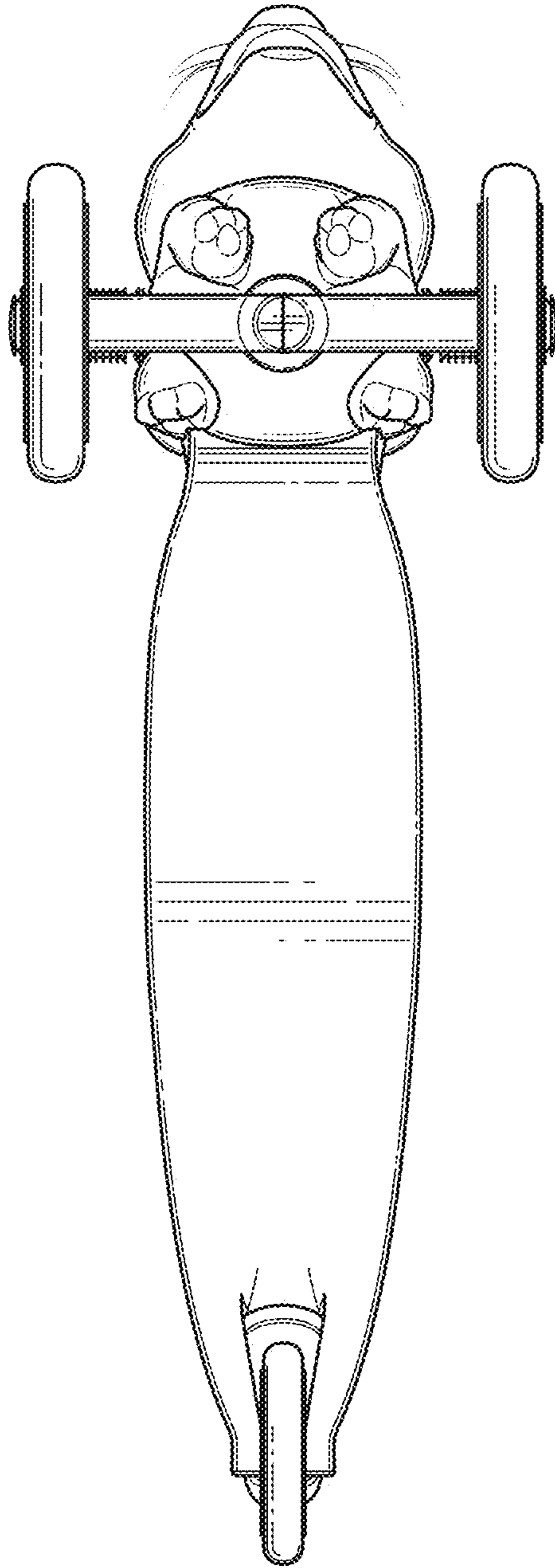


FIG. 7