



US00D921123S

(12) **United States Design Patent** (10) **Patent No.:** **US D921,123 S**  
**Singh et al.** (45) **Date of Patent:** **\*\* Jun. 1, 2021**

(54) **SCOOTER**  
(71) Applicants: **Snap Pop**, Coto de Caza, CA (US);  
**1867361 ONTARIO INC**, Etobicoke (CA)  
(72) Inventors: **Amit Singh**, Coto de Caza, CA (US);  
**Robert Douglas Stewart**, Etobicoke (CA)  
(73) Assignees: **Snap Pop**, Coto de Caza, CA (US);  
**1867361 ONTARIO INC**, Etobicoke (CA)  
(\*\*) Term: **15 Years**  
(21) Appl. No.: **29/714,261**  
(22) Filed: **Nov. 21, 2019**  
(51) **LOC (13) Cl.** ..... **21-01**  
(52) **U.S. Cl.**  
USPC ..... **D21/423**  
(58) **Field of Classification Search**  
USPC ..... D21/419, 421, 423, 424-429, 432, 435,  
D21/760, 763, 765, 771; D12/1, 110  
CPC ..... B62K 3/002; B62K 9/00; B62K 2202/00;  
B62K 15/00; B62K 2015/001; B62K  
2015/003; B60Y 2200/126  
See application file for complete search history.

(56) **References Cited**  
U.S. PATENT DOCUMENTS  
D251,210 S \* 2/1979 Morrison ..... D21/434  
D282,088 S \* 1/1986 Kroll ..... D21/428  
4,595,380 A \* 6/1986 Magers ..... A63H 17/38  
446/437  
D284,984 S \* 8/1986 Tzanetakos ..... D21/421  
D308,704 S \* 6/1990 Weiland ..... D21/427  
D317,334 S \* 6/1991 Takahashi ..... D21/428  
5,154,658 A \* 10/1992 Marcus ..... A63H 5/00  
446/411

5,165,711 A \* 11/1992 Tsai ..... B62K 3/002  
280/87.041  
D337,622 S \* 7/1993 Schiffman ..... D21/423  
D349,265 S \* 8/1994 Patton ..... D12/14  
D390,281 S \* 2/1998 O'Rourke ..... D21/423  
D504,920 S \* 5/2005 Hong ..... D21/423  
D552,186 S \* 10/2007 Hong ..... D21/423  
D552,187 S \* 10/2007 Hong ..... D21/423  
D653,172 S \* 1/2012 Evans ..... D12/83  
D665,034 S \* 8/2012 Grossman ..... D21/423  
D665,035 S \* 8/2012 Grossman ..... D21/423  
D673,624 S \* 1/2013 Kasahara ..... D21/434  
D679,761 S \* 4/2013 Nava ..... D21/427  
D687,900 S \* 8/2013 Blanco ..... D21/427  
D719,618 S \* 12/2014 Herlitz ..... D21/424  
D745,933 S \* 12/2015 Mayson ..... D21/433  
D760,325 S \* 6/2016 Sano ..... D21/552  
D827,038 S \* 8/2018 Exley ..... D21/434  
D861,082 S \* 9/2019 Talios ..... D21/552

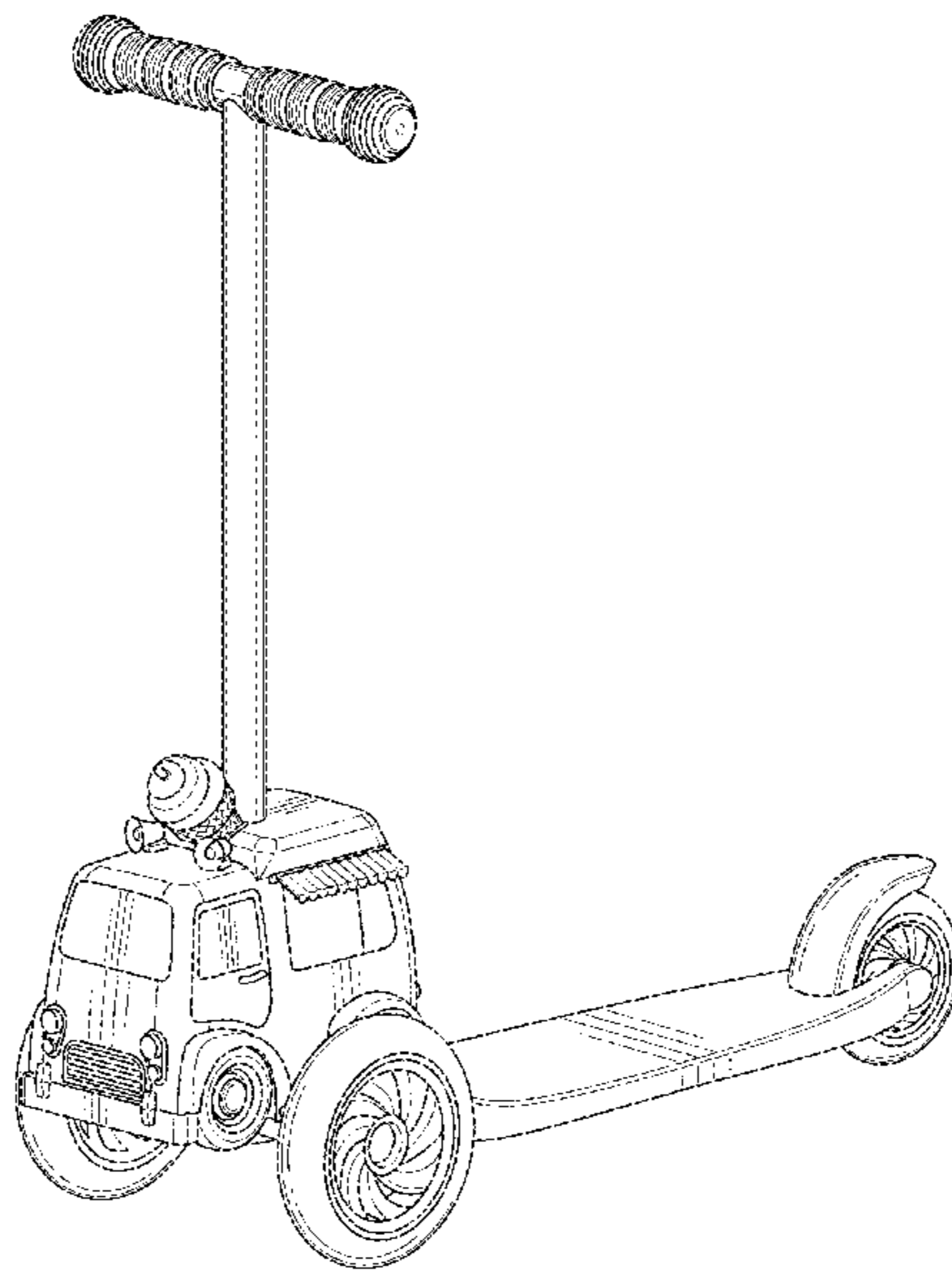
(Continued)

*Primary Examiner* — Cynthia M. Chin  
(74) *Attorney, Agent, or Firm* — Sterne, Kessler,  
Goldstein & Fox P.L.L.C.

(57) **CLAIM**  
The ornamental design for a scooter, as shown and described.

**DESCRIPTION**  
FIG. 1 is a perspective view of a scooter showing the claimed design;  
FIG. 2 is a front elevational view thereof;  
FIG. 3 is a rear elevational view thereof;  
FIG. 4 is a left side elevational view thereof;  
FIG. 5 is a right side elevational view thereof;  
FIG. 6 is a top plan view thereof; and,  
FIG. 7 is a bottom plan view thereof.  
The broken lines in the figures show portions of the scooter that form no part of the claimed design.

**1 Claim, 7 Drawing Sheets**



(56)

**References Cited**

U.S. PATENT DOCUMENTS

10,926,828	B2 *	2/2021	McGowan .....	B62K 3/002
2006/0001227	A1 *	1/2006	Hong .....	B62K 3/002
				280/87.041

\* cited by examiner

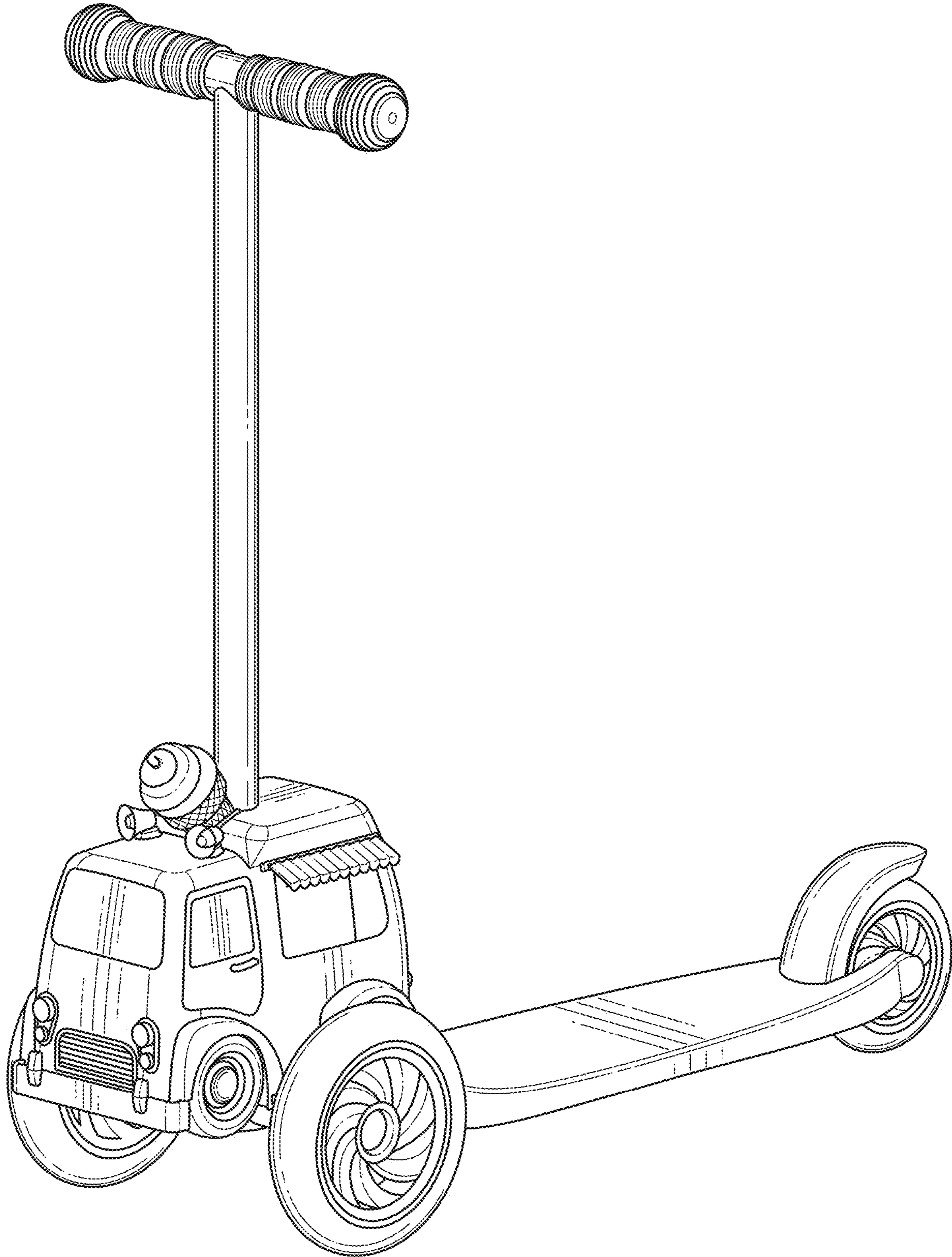


FIG. 1

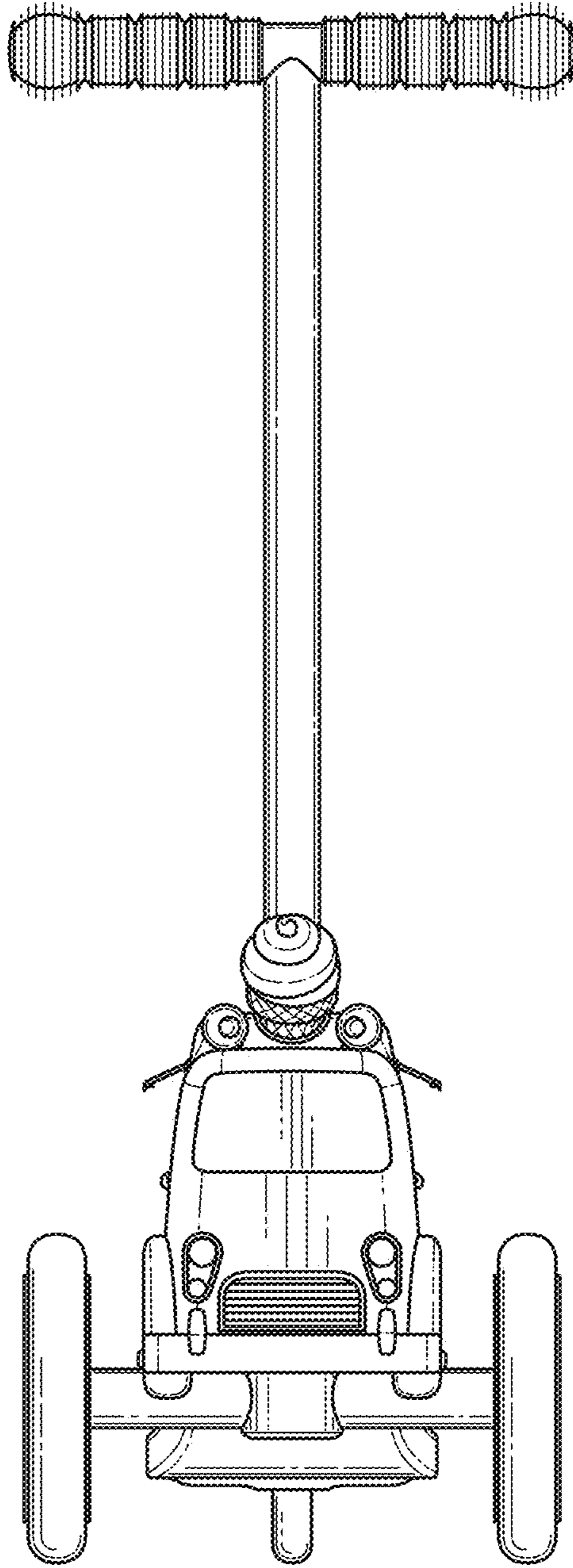


FIG. 2

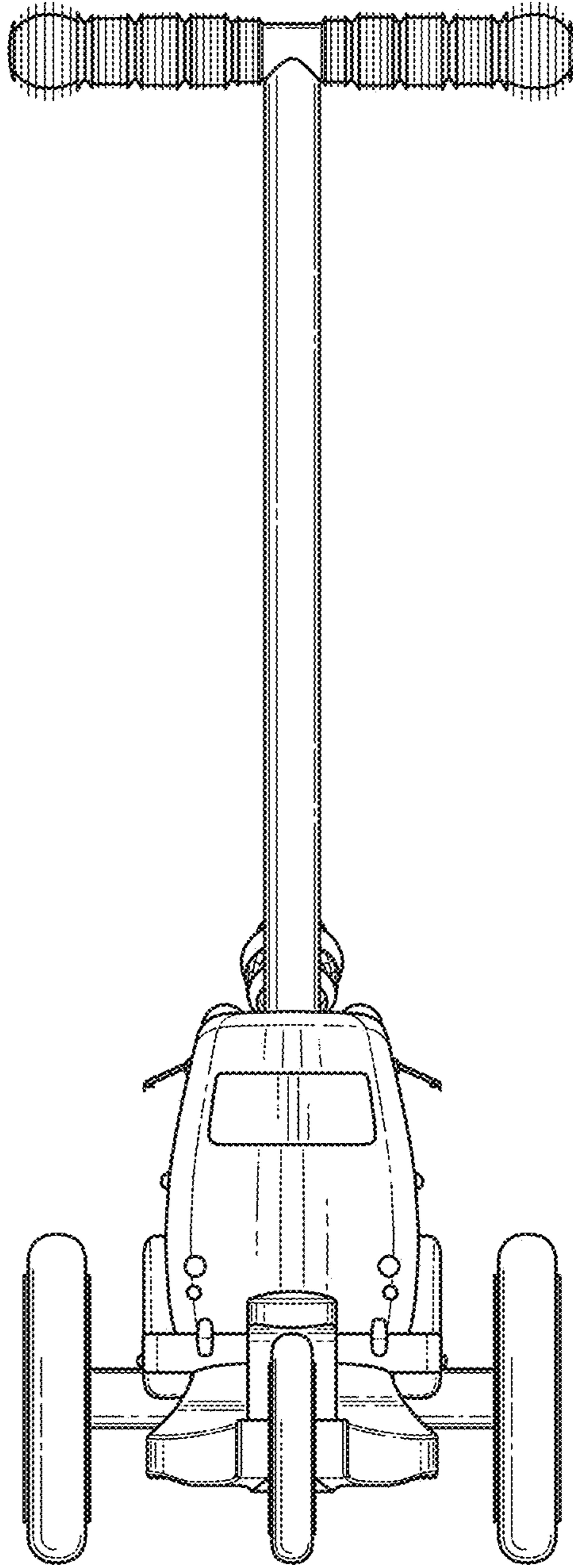


FIG. 3

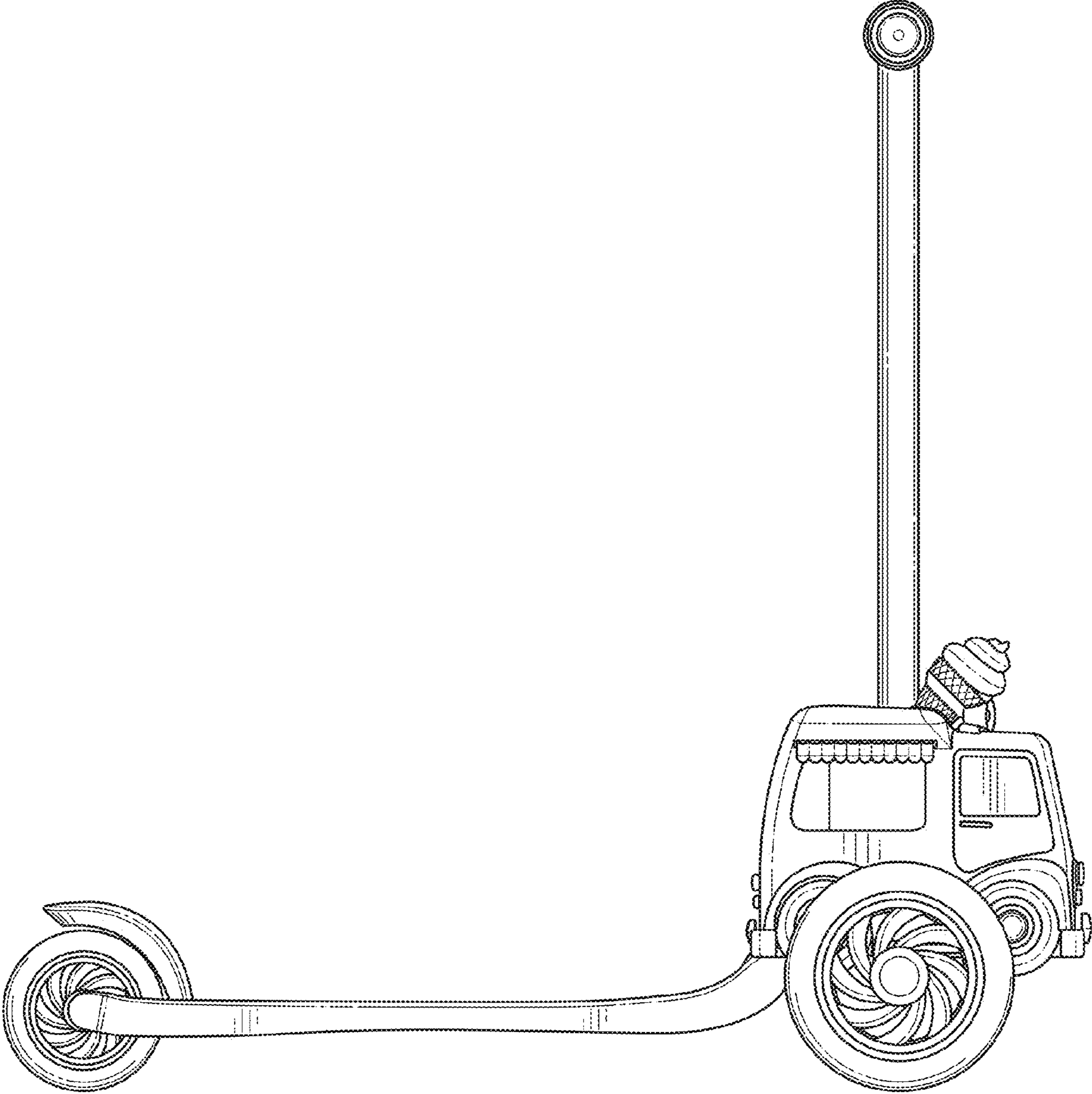


FIG. 4

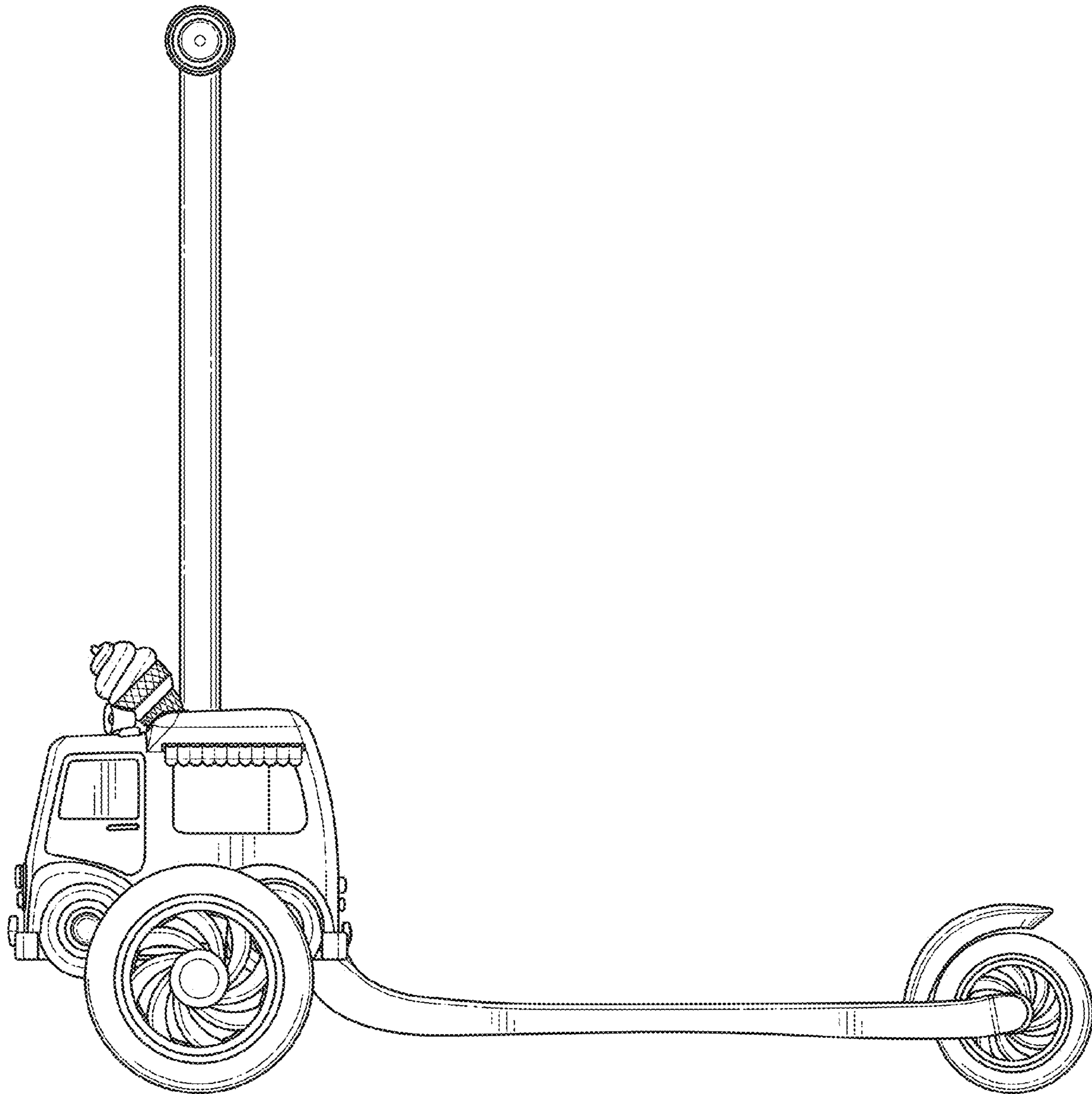


FIG. 5

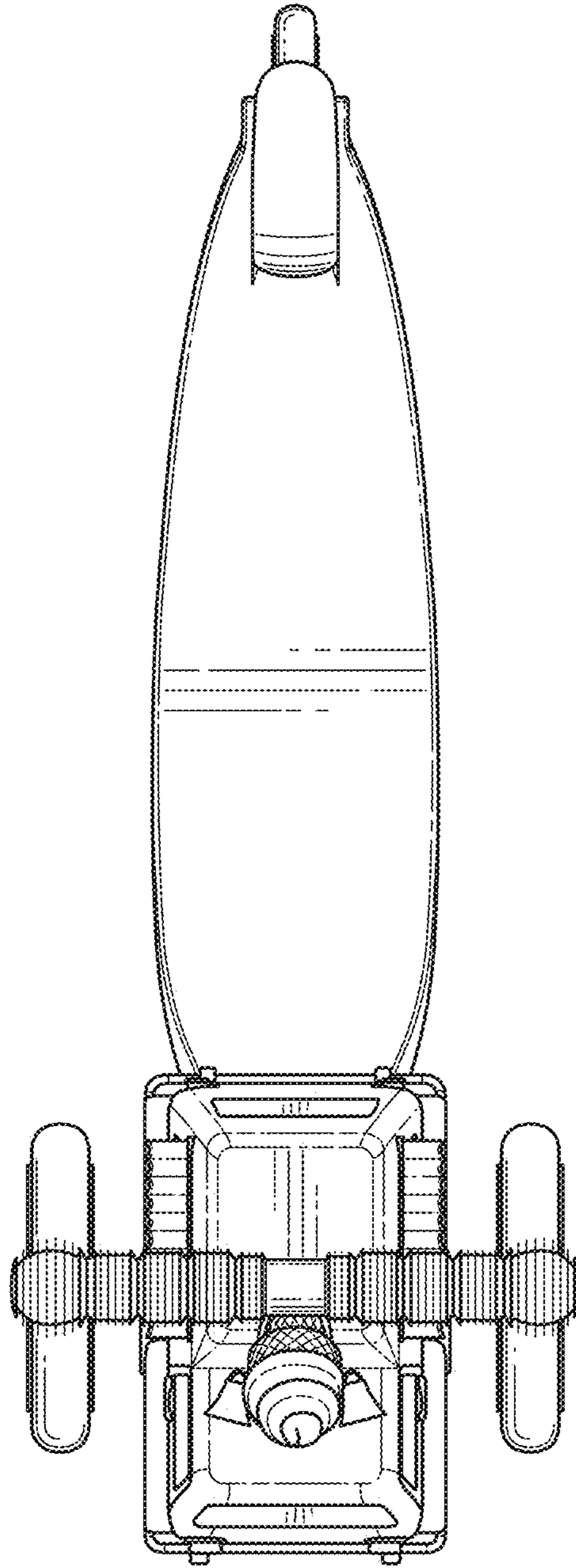


FIG. 6



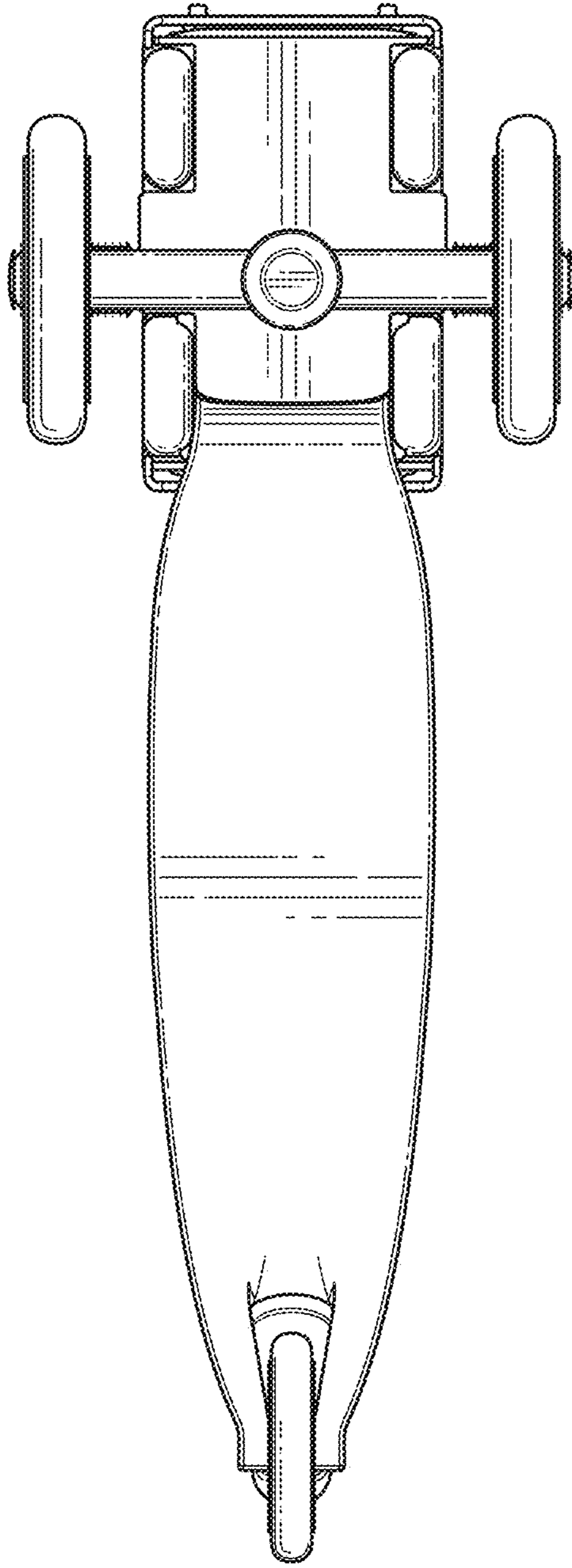


FIG. 7