



US00D921122S

(12) **United States Design Patent**
Singh et al.

(10) **Patent No.:** **US D921,122 S**
(45) **Date of Patent:** **** Jun. 1, 2021**

- (54) **SCOOTER**
- (71) Applicants: **Snap Pop**, Coto de Caza, CA (US);
1867361 ONTARIO INC, Etobicoke (CA)
- (72) Inventors: **Amit Singh**, Coto de Caza, CA (US);
Robert Douglas Stewart, Etobicoke (CA)
- (73) Assignees: **Snap Pop**, Coto de Caza, CA (US);
1867361 ONTARIO INC, Etobicoke (CA)
- (**) Term: **15 Years**

5,154,658	A *	10/1992	Marcus	A63H 5/00
					446/411
5,165,711	A *	11/1992	Tsai	B62K 3/002
					280/87.041
D337,622	S *	7/1993	Schiffman	D21/423
D390,281	S *	2/1998	O'Rourke	D21/423
D504,920	S *	5/2005	Hong	D21/423
D552,186	S *	10/2007	Hong	D21/423
D552,187	S *	10/2007	Hong	D21/423
D665,034	S *	8/2012	Grossman	D21/423
D665,035	S *	8/2012	Grossman	D21/423
D679,761	S *	4/2013	Nava	D21/427
D687,900	S *	8/2013	Blanco	D21/427
D719,618	S *	12/2014	Herlitz	D21/424
D745,933	S *	12/2015	Mayson	D21/433
D827,038	S *	8/2018	Exley	D21/434
2006/0001227	A1 *	1/2006	Hong	B62K 3/002
					280/87.041

- (21) Appl. No.: **29/714,245**
- (22) Filed: **Nov. 21, 2019**
- (51) **LOC (13) Cl.** **21-01**
- (52) **U.S. Cl.**
USPC **D21/423**
- (58) **Field of Classification Search**
USPC D21/419, 421, 423, 424-428, 429, 432,
D21/435, 760, 763, 765, 771; D12/1,
D12/110
CPC B62K 3/002; B62K 9/00; B62K 2202/00;
B62K 15/00; B62K 2015/001; B62K
2015/003; B60Y 2200/126
See application file for complete search history.

* cited by examiner

Primary Examiner — Cynthia M. Chin
(74) *Attorney, Agent, or Firm* — Sterne, Kessler,
Goldstein & Fox P.L.L.C.

(57) **CLAIM**

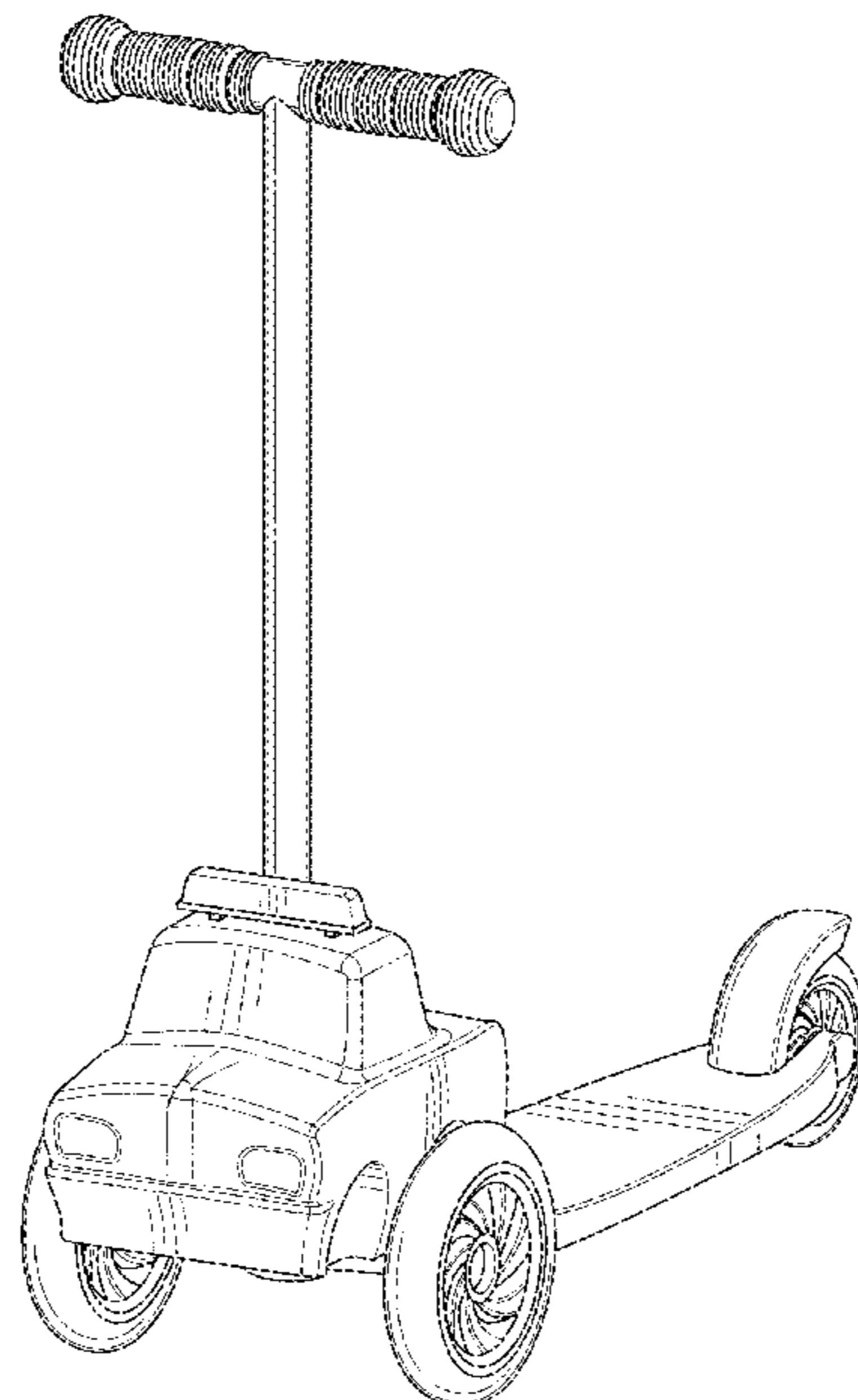
The ornamental design for a scooter, as shown and described.

DESCRIPTION

FIG. 1 is a perspective view of a scooter showing the claimed design;
FIG. 2 is a front elevational view thereof;
FIG. 3 is a rear elevational view thereof;
FIG. 4 is a left side elevational view thereof;
FIG. 5 is a right side elevational view thereof;
FIG. 6 is a top plan view thereof; and,
FIG. 7 is a bottom plan view thereof.
The broken lines in the figures show portions of the scooter that form no part of the claimed design.

- (56) **References Cited**
U.S. PATENT DOCUMENTS
D282,088 S * 1/1986 Kroll D21/428
4,595,380 A * 6/1986 Magers A63H 17/38
446/437
D284,984 S * 8/1986 Tzanetakos D21/421
D308,704 S * 6/1990 Weiland D21/427
D317,334 S * 6/1991 Takahashi D21/428

1 Claim, 7 Drawing Sheets



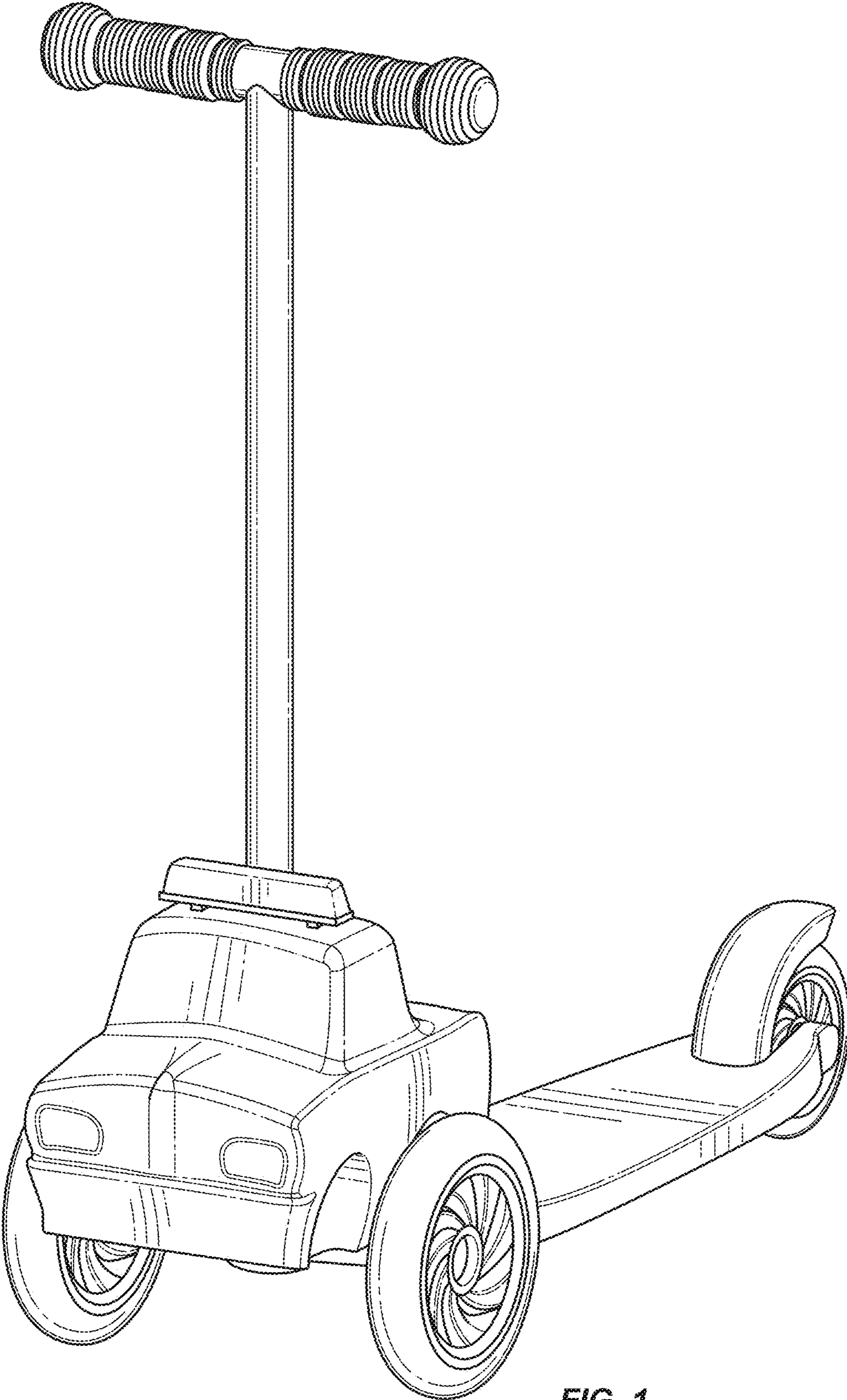


FIG. 1

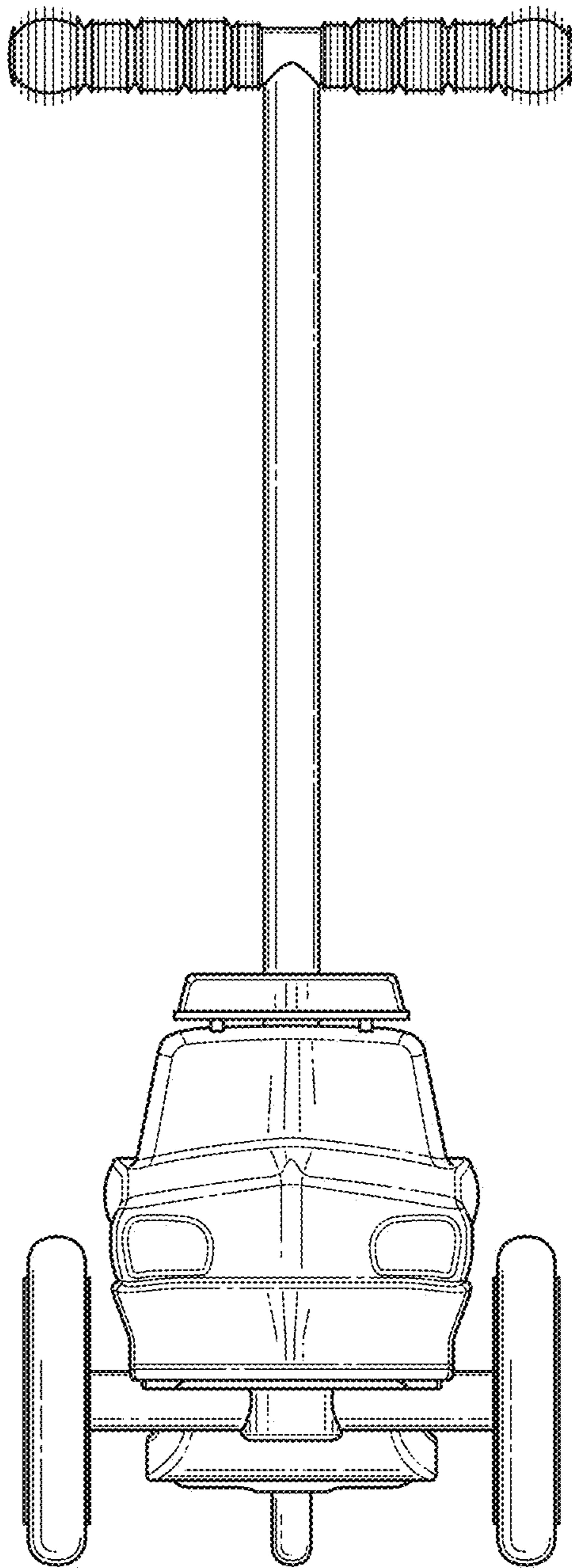


FIG. 2

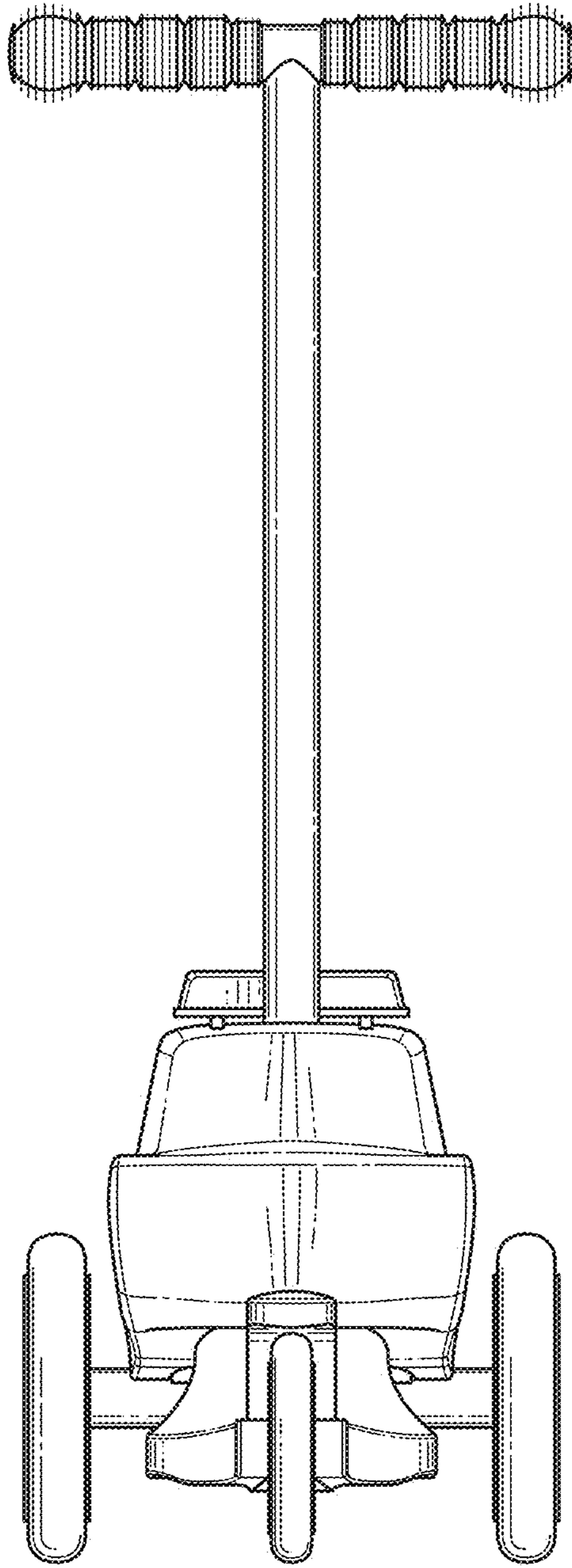


FIG. 3

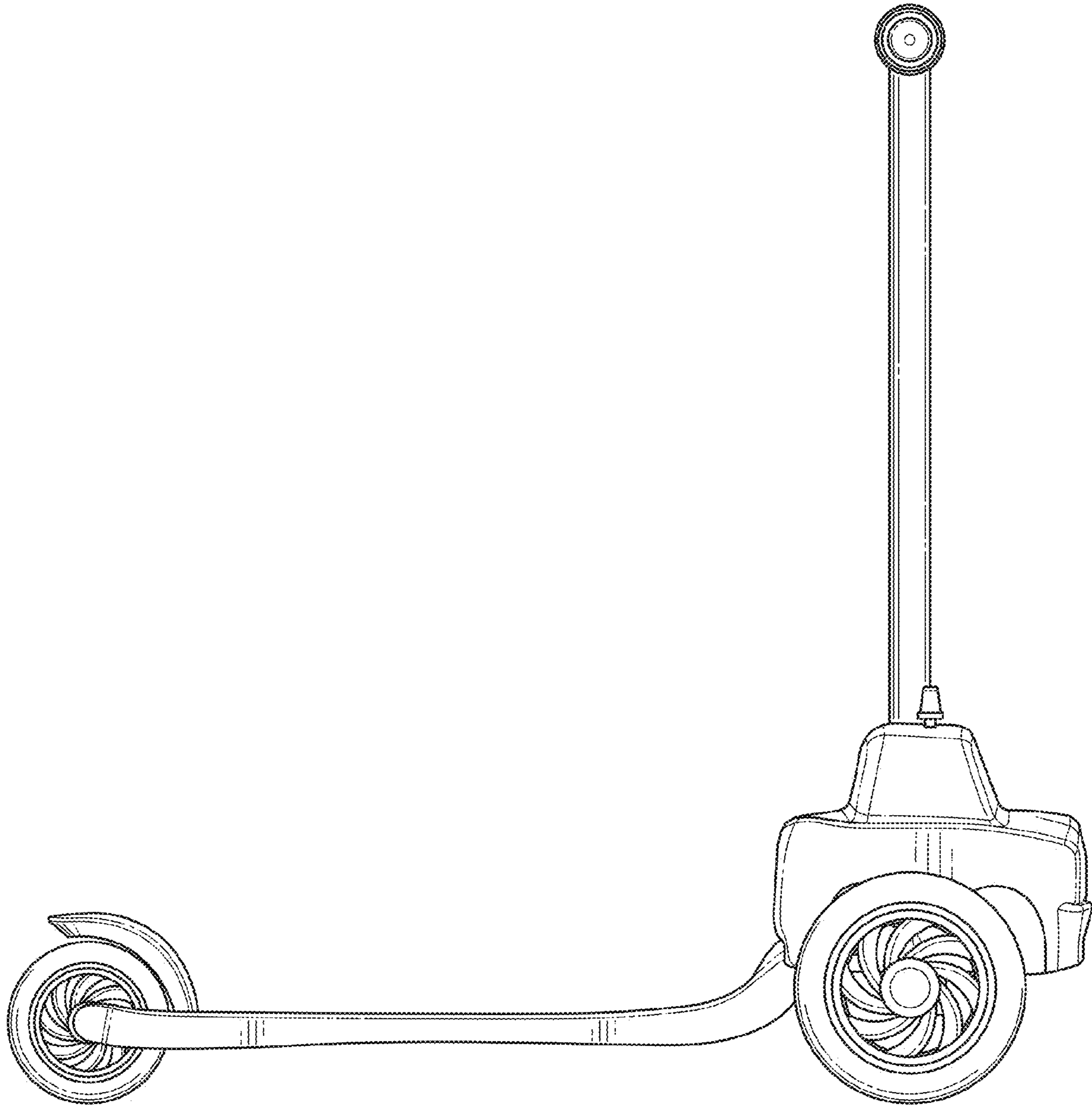


FIG. 4

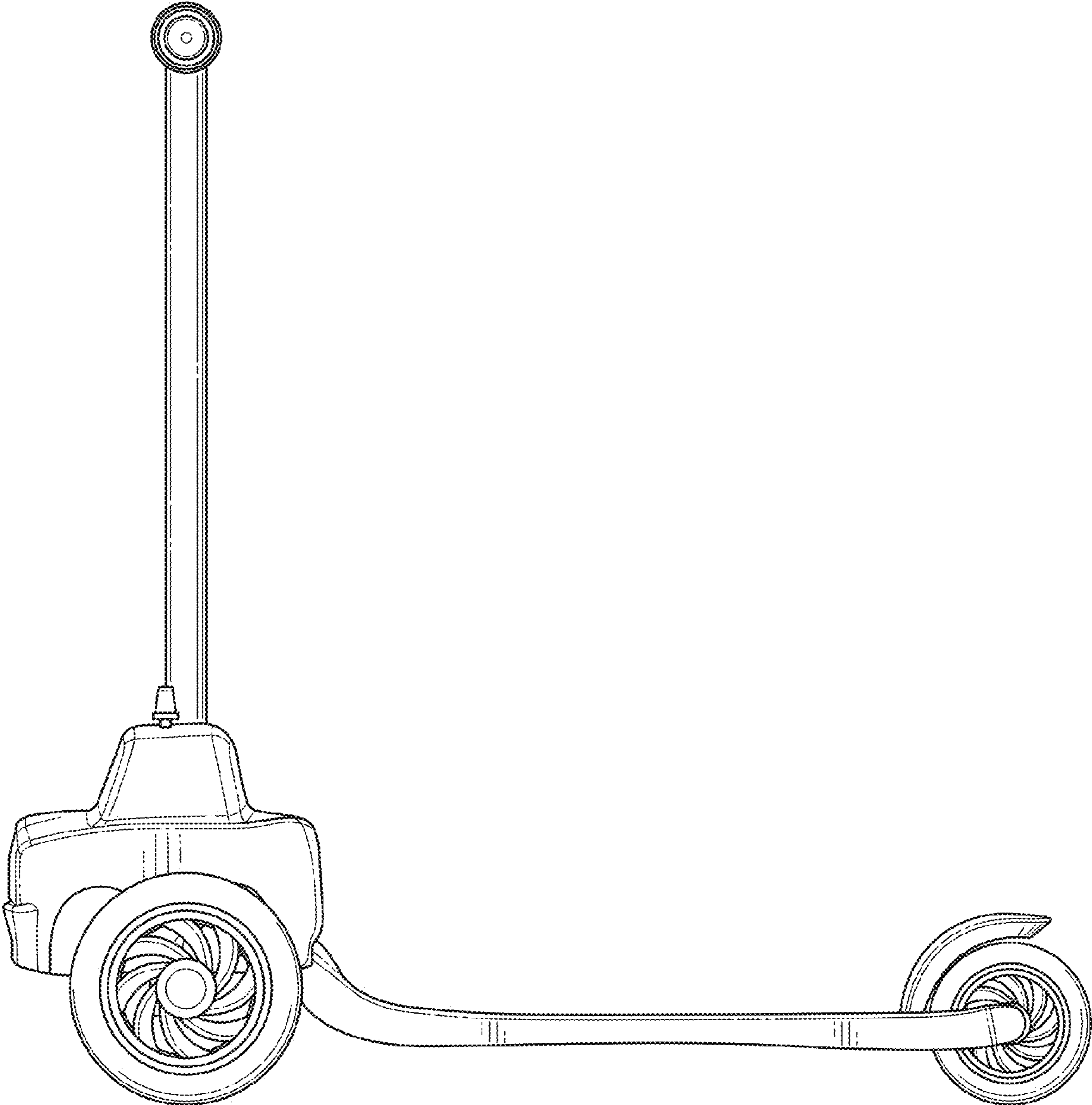


FIG. 5

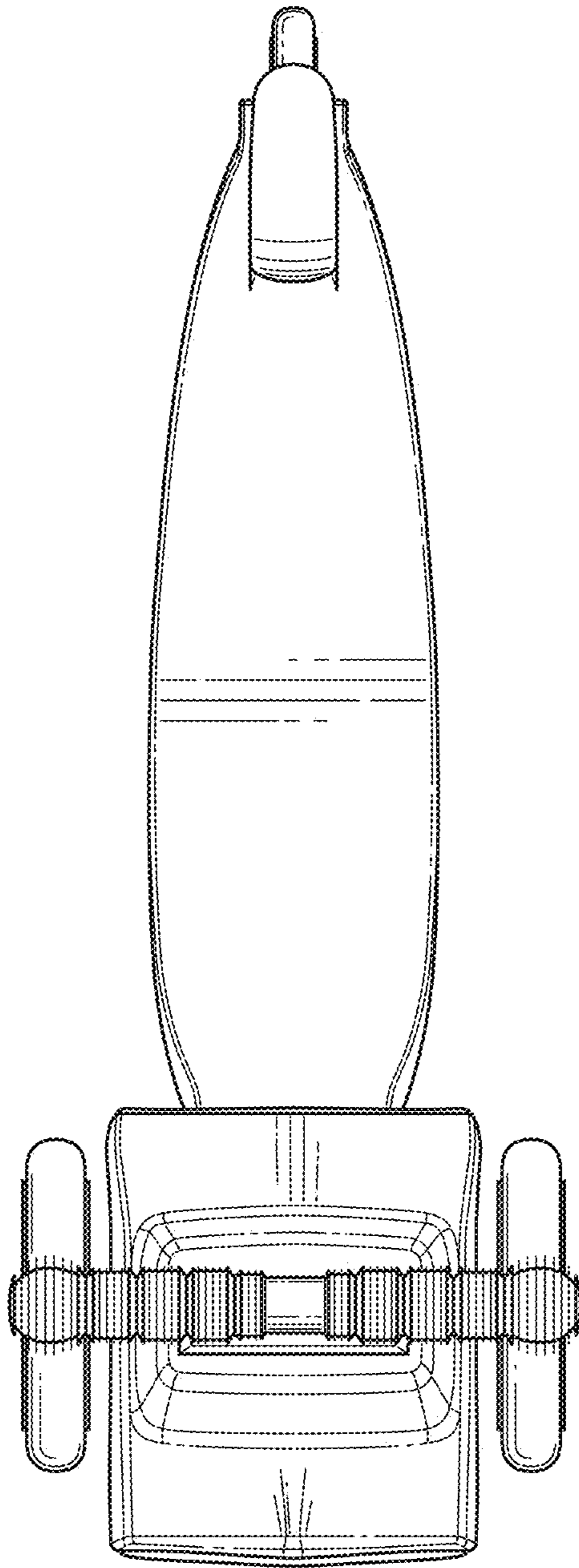


FIG. 6

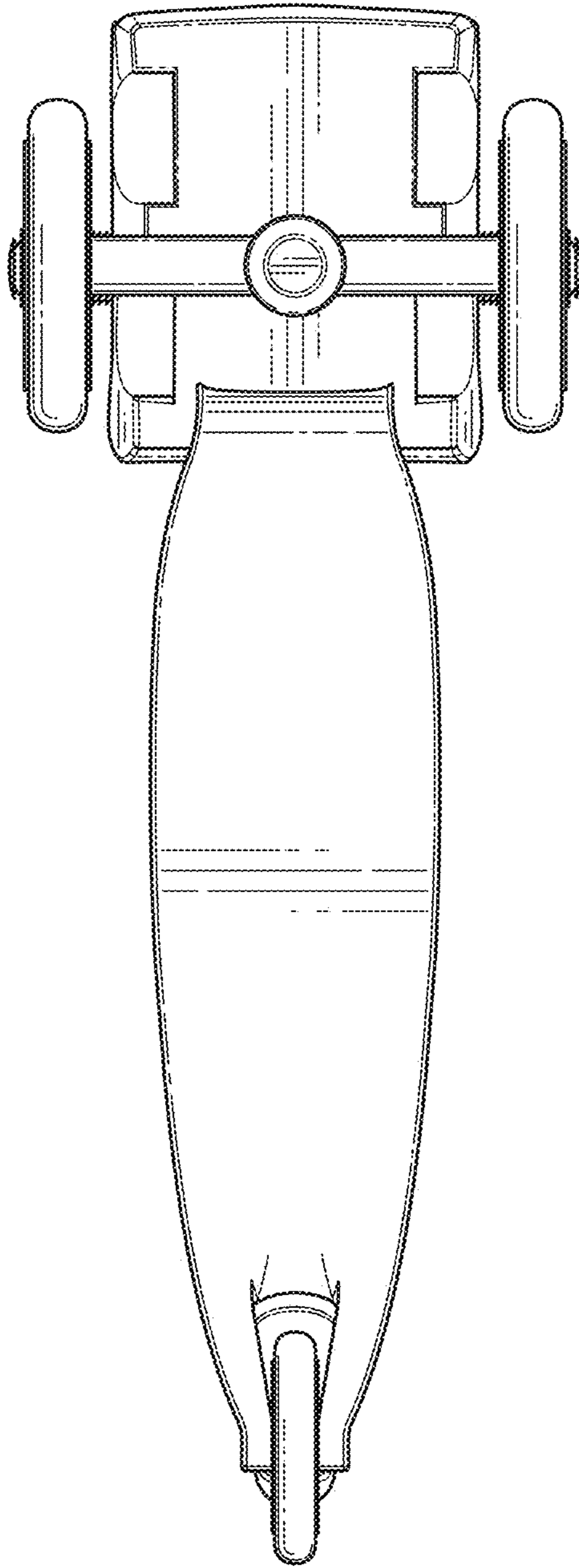


FIG. 7