



US00D921119S

(12) **United States Design Patent** (10) **Patent No.:** **US D921,119 S**
MacDonald et al. (45) **Date of Patent:** **** Jun. 1, 2021**

(54) **HEXAGONAL GAME PIECE HOLDER WITH BOWLS**

(71) Applicant: **Wyrwood, Inc.**, Taunton, MA (US)

(72) Inventors: **Jason Eric MacDonald**, Onset, MA (US); **Douglas Joseph Costello**, Lakeville, MA (US); **Ian Costello**, East Taunton, MA (US)

(73) Assignee: **WYRMWOOD, INC.**, Taunton, MA (US)

(**) Term: **15 Years**

(21) Appl. No.: **29/755,876**

(22) Filed: **Oct. 23, 2020**

Related U.S. Application Data

(63) Continuation of application No. 29/727,963, filed on Mar. 14, 2020, now Pat. No. Des. 900,234, and a continuation of application No. 29/727,964, filed on Mar. 14, 2020, now Pat. No. Des. 900,235, and a continuation of application No. 29/710,156, filed on Oct. 21, 2019, now Pat. No. Des. 900,231, and a continuation of application No. 29/710,162, filed on Oct. 21, 2019, now Pat. No. Des. 900,233, and a continuation of application No. 29/710,160, filed on Oct. 21, 2019, now Pat. No. Des. 900,232.

(51) **LOC (13) Cl.** **21-01**

(52) **U.S. Cl.**
USPC **D21/392**

(58) **Field of Classification Search**
USPC D11/40, 75, 76, 131, 132, 140;
D21/385-396, 483-485, 489, 500-505;
D25/138-144
CPC A63F 11/00; A63F 2003/00772-00791;
A63F 2003/00943
See application file for complete search history.

(56) **References Cited**

U.S. PATENT DOCUMENTS

D270,551 S *	9/1983	Thayer	D21/392
D380,153 S *	6/1997	Riddell	D21/392
D395,061 S *	6/1998	Shoptaugh	D21/392
D497,437 S *	10/2004	Poliacek	D25/138
D546,400 S *	7/2007	Ray	D19/92
D850,655 S *	6/2019	van Hoytema	D25/68
D857,495 S *	8/2019	Elman	D9/430
D860,296 S *	9/2019	Lin	D16/242
D874,680 S *	2/2020	van Hoytema	D25/68
D875,521 S *	2/2020	Elman	D9/430

(Continued)

Primary Examiner — George D. Kirschbaum

Assistant Examiner — Joseph J Kukella

(74) *Attorney, Agent, or Firm* — Daly Crowley Mofford & Durkee

(57) **CLAIM**

The ornamental design for a hexagonal game piece holder with bowls, as shown and described.

DESCRIPTION

FIG. 1 is an isometric view of a hexagonal game piece holder with bowls.

FIG. 2 is a top view of a hexagonal game piece holder with bowls.

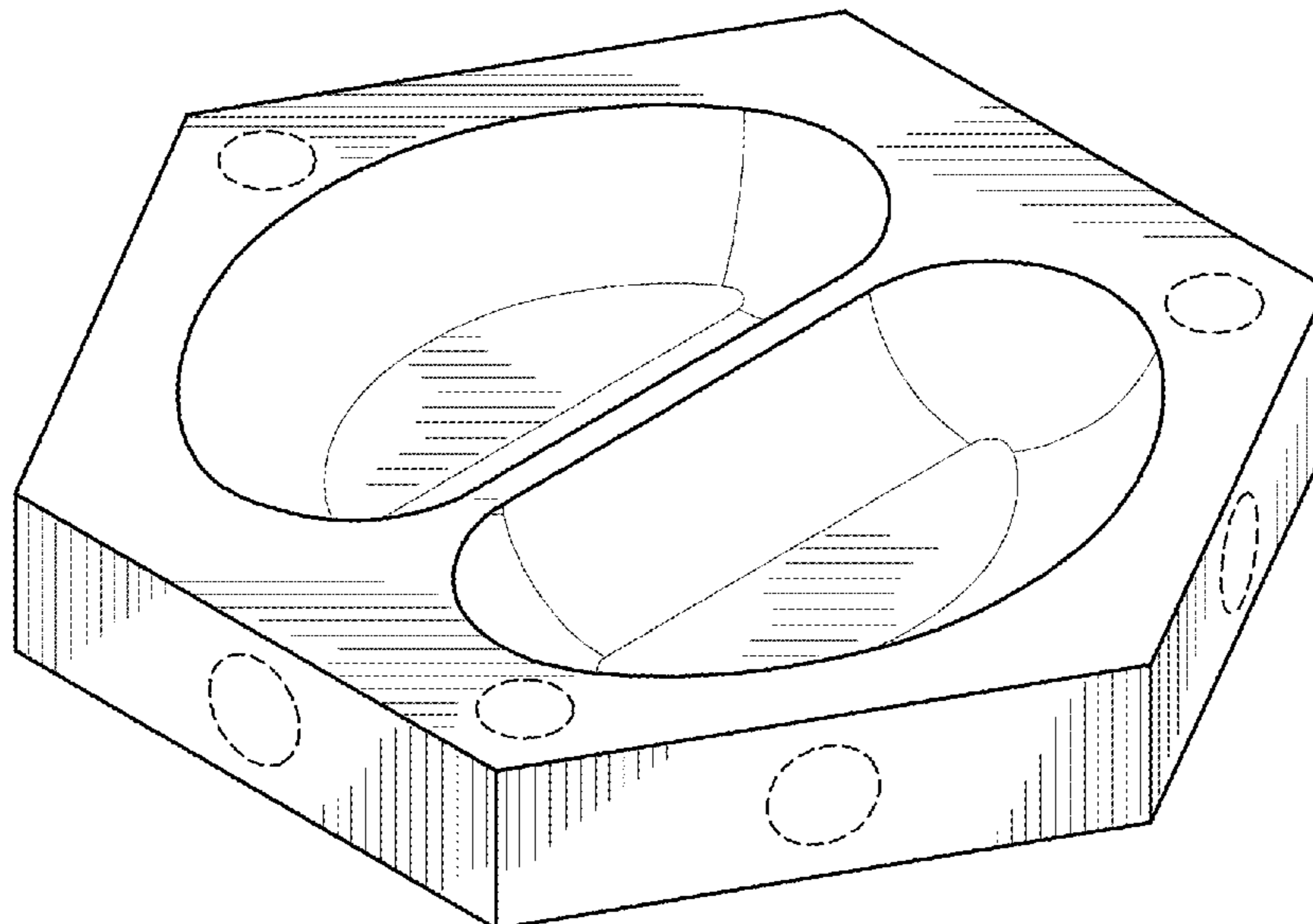
FIG. 3 is a bottom view of a hexagonal game piece holder with bowls.

FIG. 4 is a right-side view of a hexagonal game piece holder with bowls. The left-side view, which is omitted from the figures, is a mirror image of the right-side view; and,

FIG. 5 is a side view of the hexagonal game piece holder with bowls that is rotated 30 degrees with respect to the view in FIG. 4.

In the drawings, the broken lines depict portions of the hexagonal game piece holder with bowls that form no part of the claimed design.

1 Claim, 3 Drawing Sheets



(56)

References Cited

U.S. PATENT DOCUMENTS

D875,522	S	*	2/2020	Elman	D9/430
D885,912	S	*	6/2020	Silva	D9/456
D900,231	S	*	10/2020	MacDonald	D21/392
D900,232	S	*	10/2020	MacDonald	D21/392
D900,233	S	*	10/2020	MacDonald	D21/392
D900,234	S	*	10/2020	MacDonald	D21/392
D900,235	S	*	10/2020	MacDonald	D21/392

* cited by examiner

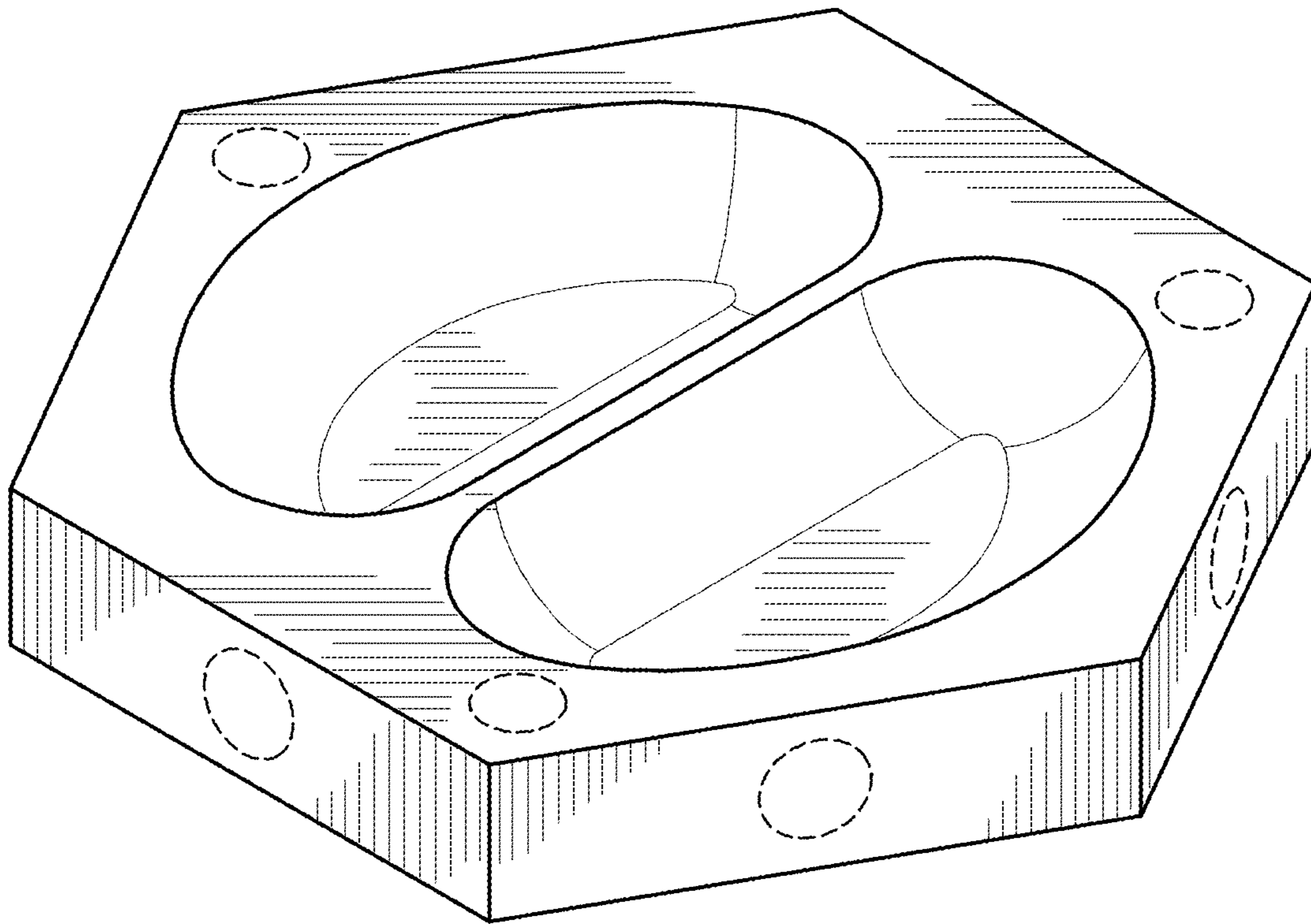


FIG. 1

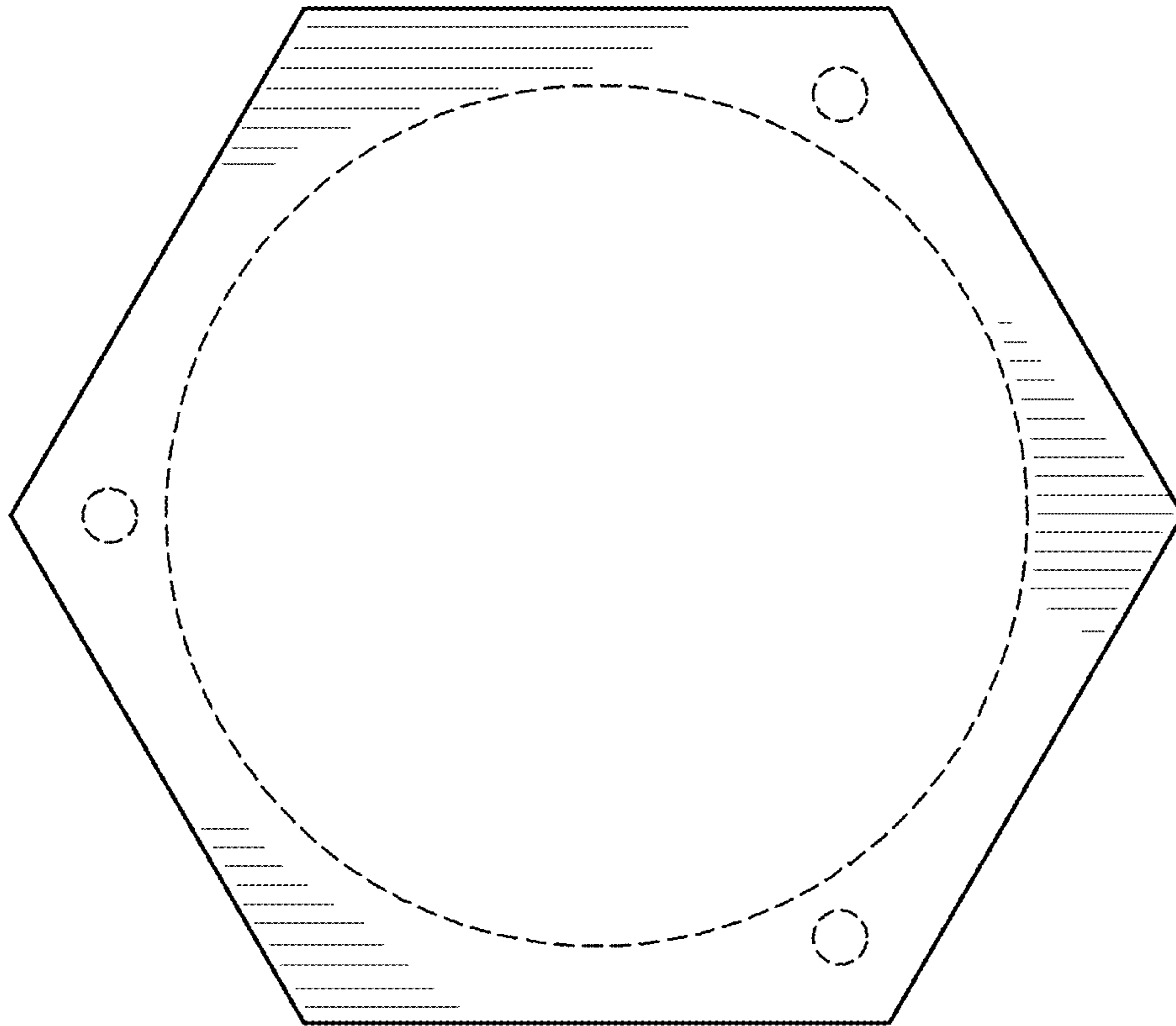


FIG. 2

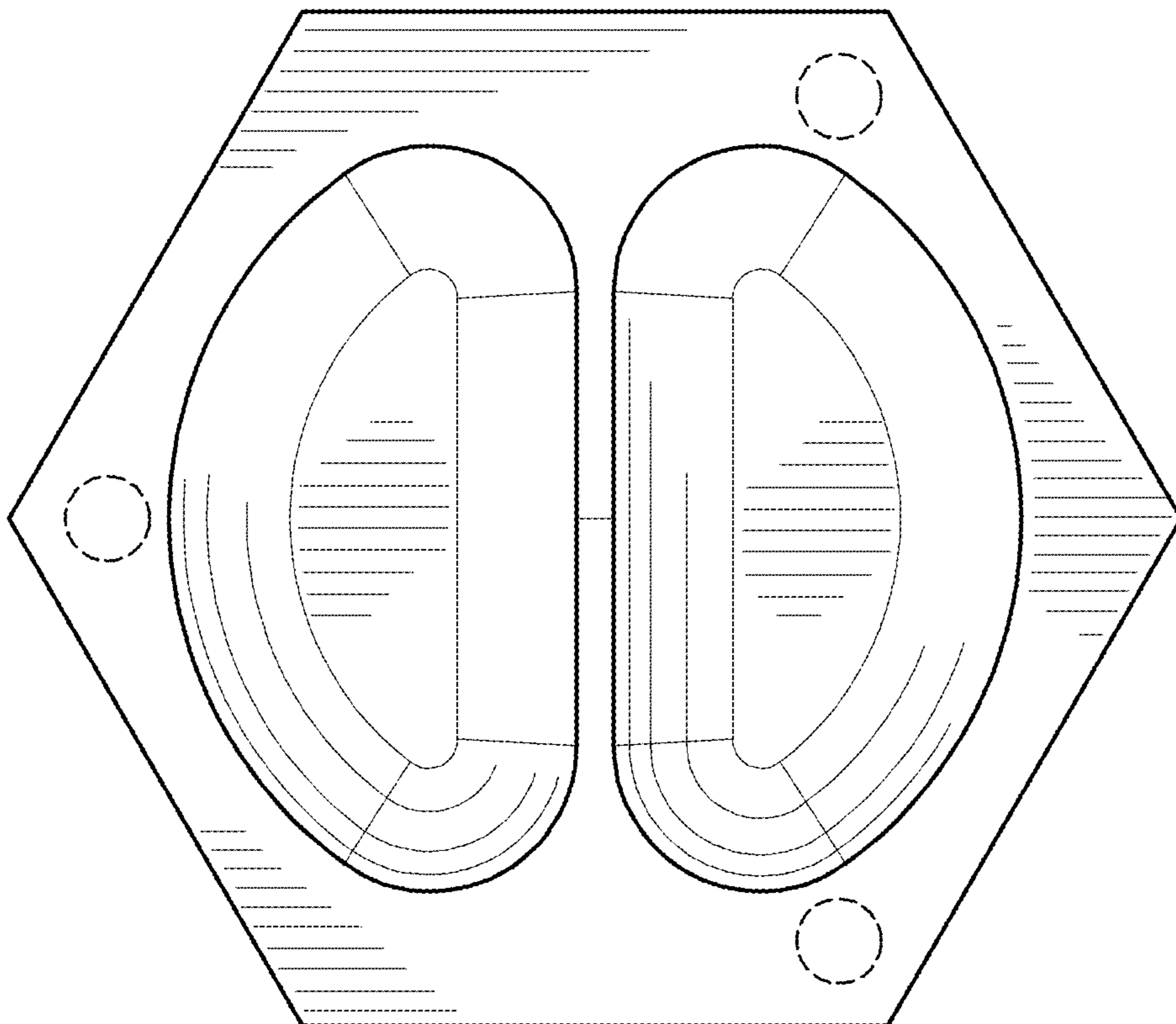


FIG. 3

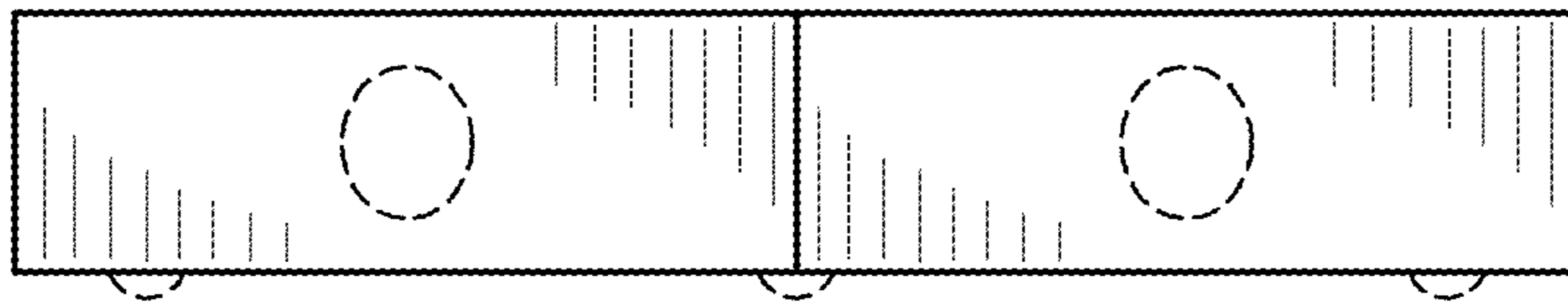


FIG. 4

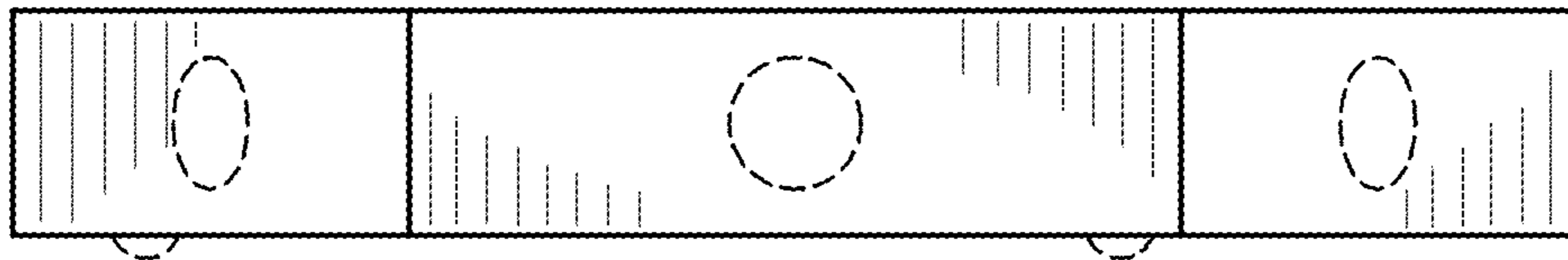


FIG. 5