



US00D921117S

(12) **United States Design Patent** (10) **Patent No.:** **US D921,117 S**
Cai (45) **Date of Patent:** **** Jun. 1, 2021**

(54) **BOARD GAME**

(71) Applicant: **Jinhao Chen**, Shantou (CN)

(72) Inventor: **Zeja Cai**, Shantou (CN)

(**) Term: **15 Years**

(21) Appl. No.: **29/750,078**

(22) Filed: **Sep. 11, 2020**

(30) **Foreign Application Priority Data**

Jul. 30, 2020 (CN) 202030425111.3

(51) **LOC (13) Cl.** **21-01**

(52) **U.S. Cl.**
USPC **D21/336; D21/334; D21/337**

(58) **Field of Classification Search**

USPC D21/334, 335-342, 355-359, 365, 318, D21/397, 363; 273/241, 242, 244-247, 273/259, 275-277, 281, 282.1-282.3, 273/284-287, 317.3, 108.1, 108.5, 118 D, 273/236-240, 283, 309, 441, 461; D6/406.1, 406.3, 406.4, 406.6; D19/86, D19/92, 95, 87, 113, 75, 77, 78, 80; 108/14, 62, 43, 67; 434/416, 247, 248, 434/251, 408, 413, 145, 430; D30/122
CPC A63F 3/00; A63F 3/00003; A63F 3/00028; A63F 3/00041; A63F 3/00044; A63F 3/00047; A63F 3/00173; A63F 3/00176; A63F 3/00214; A63F 3/00261; A63F 3/00643; A63F 3/00646-00659; A63F 3/04; A63F 2003/00182; A63F 2003/00223; A63F 2003/00457; A63F 2003/0046; A63F 2003/00463; A63F 2003/00466; A63F 2003/0047; A63F 2003/00485; A63F 2003/00492; A63F 2003/00507; A63F 2003/00514; A63F 2003/00533; A63F 2003/00552; A63F 2003/00558; A63F 2003/00943; A63F 2003/00946; A63F 2003/00952-00962;

A63F 2003/00974; A63F 7/00; A63F 7/06; A63F 7/0612; A63F 7/0604; A63F 7/0616-0636; A63F 7/30; A63F 7/36; A63F 7/0005; A63F 7/0017; A63F 7/0023; A63F 2007/0035; A63F 2007/367; A63F 2007/3674

See application file for complete search history.

(56) **References Cited**

U.S. PATENT DOCUMENTS

569,140 A * 10/1896 Nurick A63F 9/02 273/399
D205,525 S * 8/1966 Tucker D21/337
D207,166 S * 3/1967 Noble D30/132
4,034,715 A * 7/1977 Arner A01K 5/0114 119/51.5
D257,692 S * 12/1980 Thayer D30/121
4,279,221 A * 7/1981 Arvizu A01K 5/0291 119/51.11
D270,650 S * 9/1983 Erato D21/337
(Continued)

Primary Examiner — Susan Moon Lee

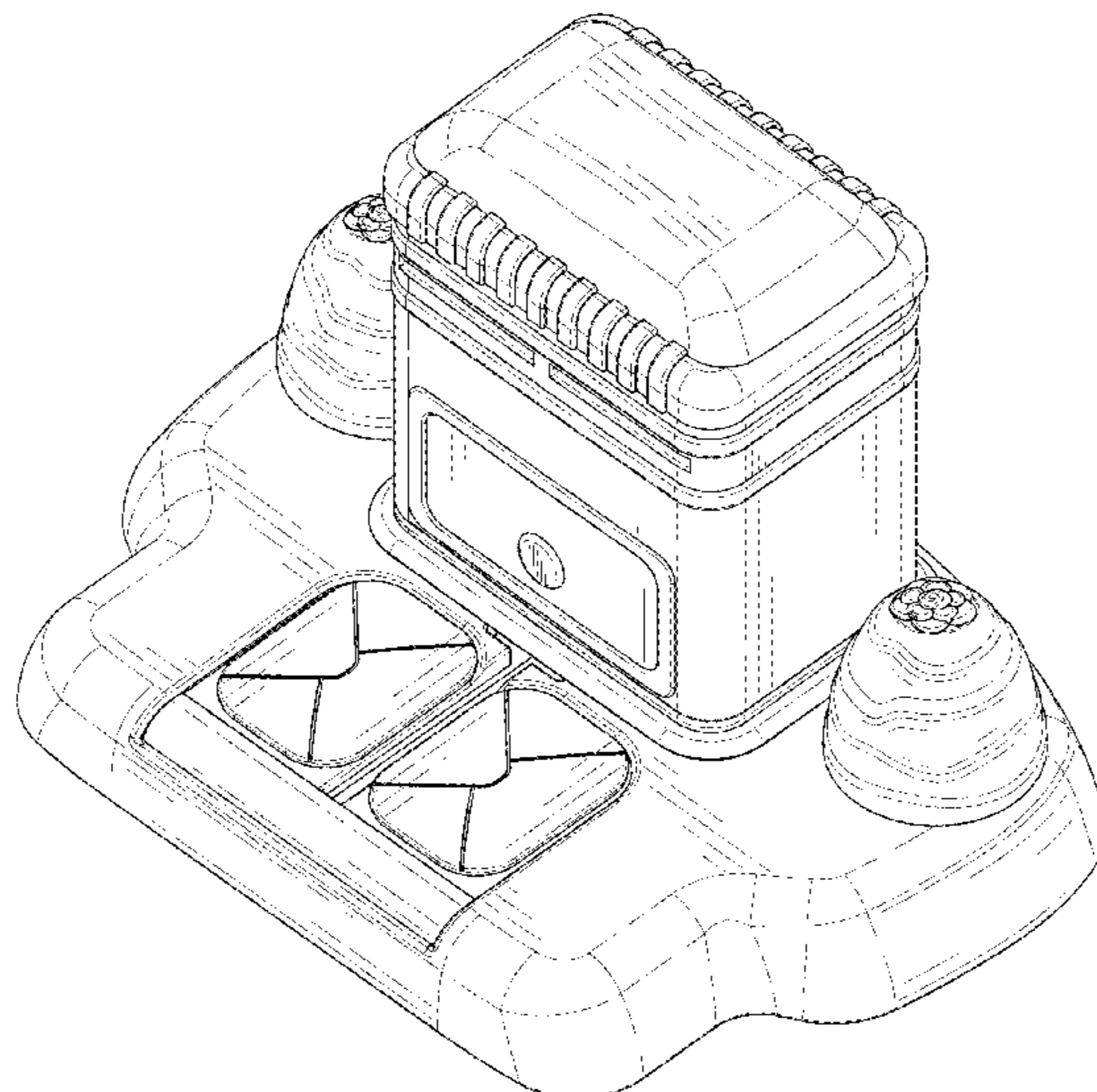
(57) **CLAIM**

The ornamental design for a board game, as shown and described.

DESCRIPTION

FIG. 1 is a front and top perspective view of a board game, showing my new design;
FIG. 2 is a rear and bottom perspective view thereof;
FIG. 3 is a front elevational view thereof;
FIG. 4 is a rear elevational view thereof;
FIG. 5 is a left side elevational view thereof;
FIG. 6 is a right side elevational view thereof;
FIG. 7 is a top plan view thereof; and,
FIG. 8 is a bottom plan view thereof.
The broken lines in the figures illustrate portions of the board game that form no part of the claimed design.

1 Claim, 8 Drawing Sheets



(56)

References Cited

U.S. PATENT DOCUMENTS

4,721,063 A * 1/1988 Atchley A01K 5/0114
119/52.1
4,735,171 A * 4/1988 Essex A01K 5/0291
119/51.12
4,841,913 A * 6/1989 Forrer A01K 5/0291
119/51.12
D350,841 S * 9/1994 VanSkiver D30/121
D364,942 S * 12/1995 VanSkiver D30/121
D544,548 S * 6/2007 Miller D21/337
7,228,816 B2 * 6/2007 Turner A01K 5/0114
119/51.02
7,426,901 B2 * 9/2008 Turner A01K 5/0114
119/51.02
7,458,336 B2 * 12/2008 Eu A01K 1/033
119/163
7,895,973 B1 * 3/2011 Whelan A01K 5/025
119/51.02
8,166,922 B2 * 5/2012 Jalbert A01K 5/025
119/501
8,272,350 B1 * 9/2012 England A01K 5/025
119/52.1
8,701,595 B2 * 4/2014 Jin A01K 5/0291
119/51.11
9,137,967 B2 * 9/2015 Lathim A01K 5/0225
9,198,398 B2 * 12/2015 Rogers A01K 7/06
9,345,231 B2 * 5/2016 Jalbert A01K 5/0142
D806,958 S * 1/2018 Maloney D30/122
D844,258 S * 3/2019 Xu D30/122

D860,324 S 9/2019 Kennedy
D884,986 S * 5/2020 Chen D30/122
D885,685 S * 5/2020 Chen D30/122
D885,686 S * 5/2020 Chen D30/122
D891,004 S * 7/2020 Park D30/122
D893,109 S * 8/2020 Zeng D30/122
D897,609 S * 9/2020 Loiseau D30/122
2005/0217591 A1 * 10/2005 Turner A01K 5/02
119/51.02
2006/0196433 A1 * 9/2006 Ness A01K 5/0114
119/52.1
2007/0193524 A1 * 8/2007 Turner A01K 5/02
119/51.02
2009/0064938 A1 * 3/2009 Or A01K 5/0291
119/51.5
2011/0146580 A1 * 6/2011 Jalbert A01K 5/0121
119/51.02
2013/0092090 A1 * 4/2013 McCallum A01K 1/0356
119/74
2013/0213308 A1 * 8/2013 Koskey, Jr. A01K 7/027
119/74
2013/0333622 A1 * 12/2013 Jin A01K 5/0291
119/51.01
2015/0068463 A1 * 3/2015 Worry A01K 5/0291
119/57.1
2015/0143750 A1 * 5/2015 Jalbert A01K 5/0291
49/25
2015/0145644 A1 * 5/2015 Jalbert A01K 5/0142
340/5.61
2019/0029222 A1 * 1/2019 Anderton A01K 5/0233
2019/0059322 A1 * 2/2019 Xu A01K 5/0225

* cited by examiner

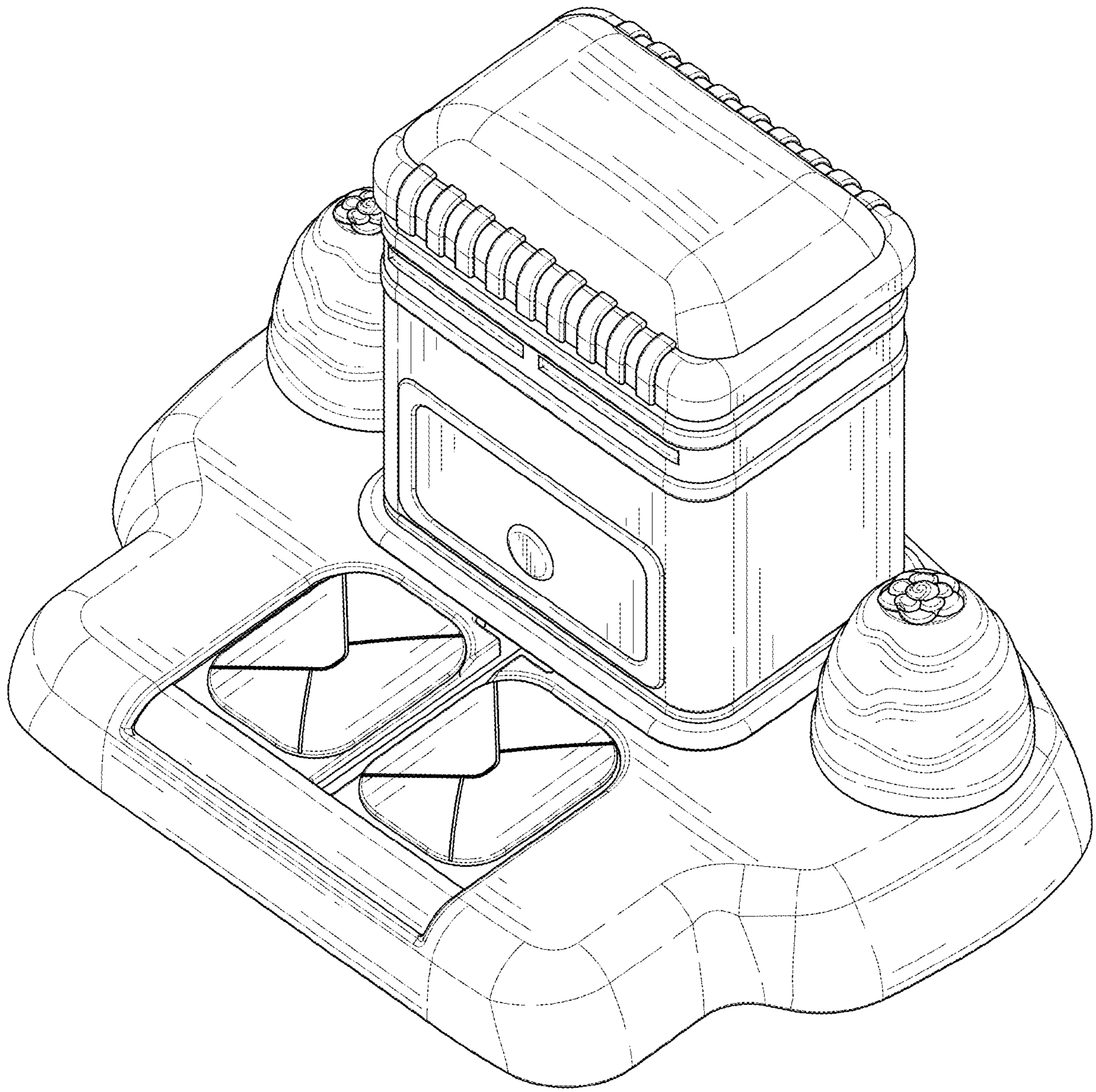


FIG. 1

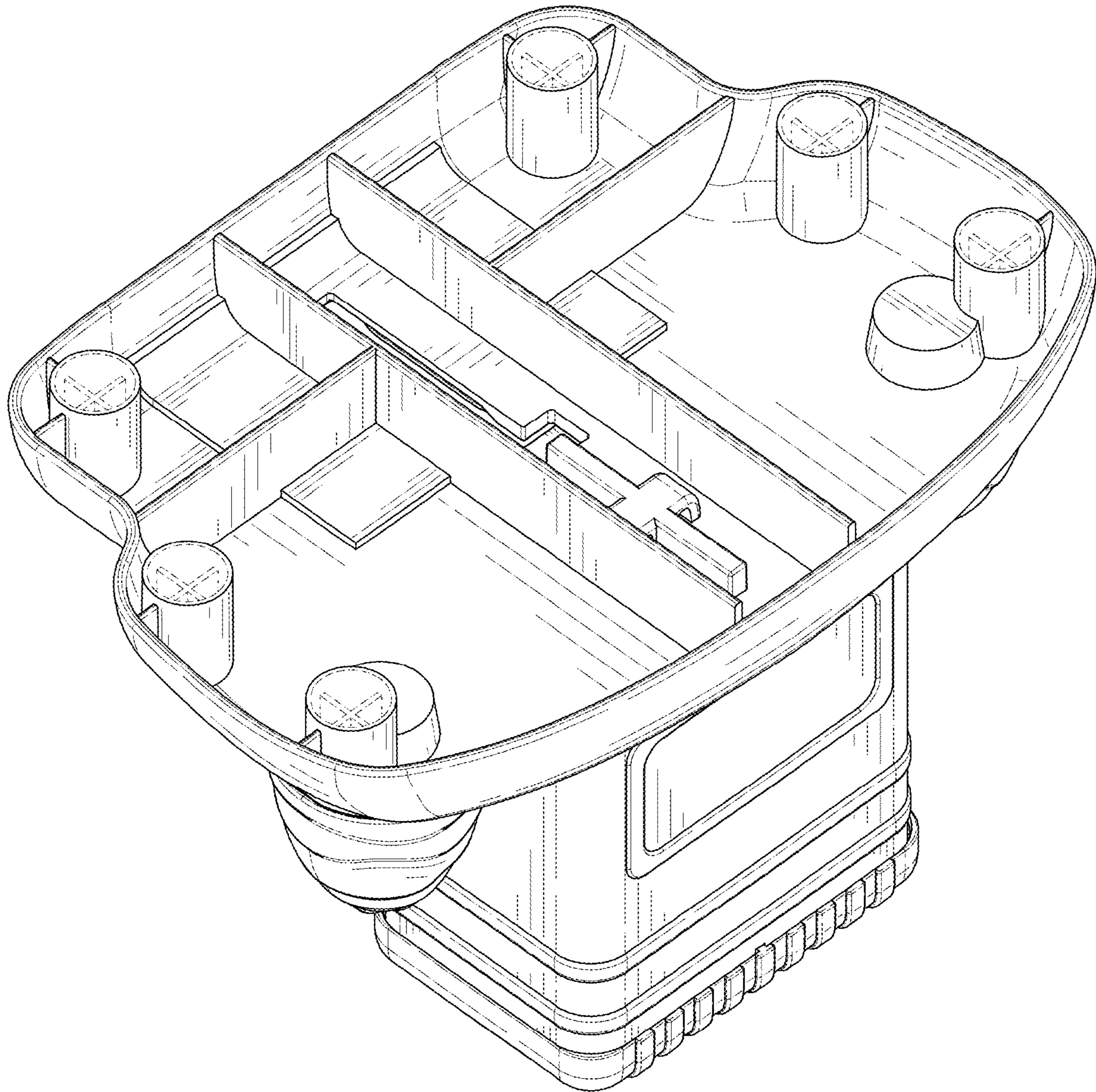


FIG. 2

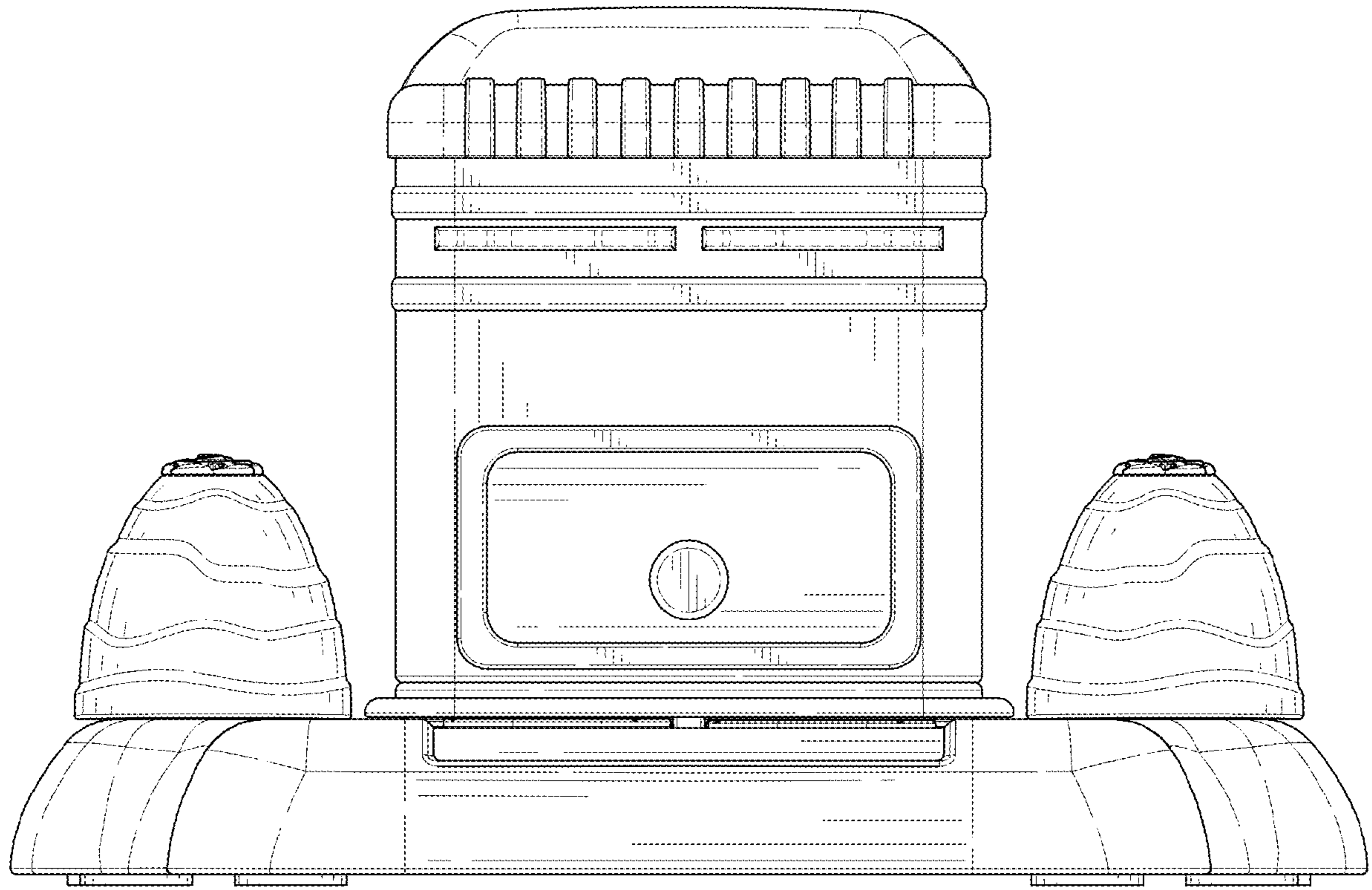


FIG. 3

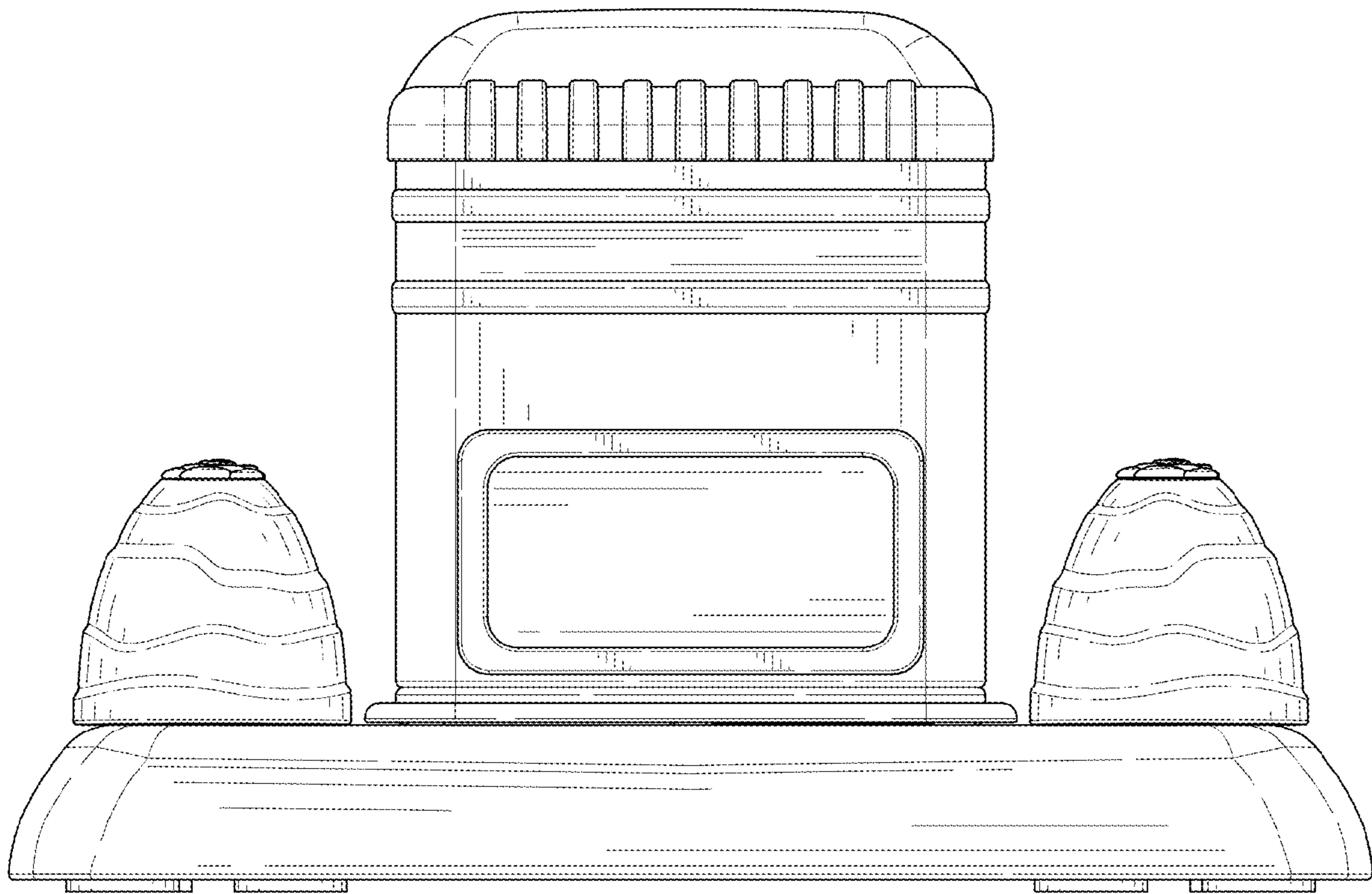


FIG. 4

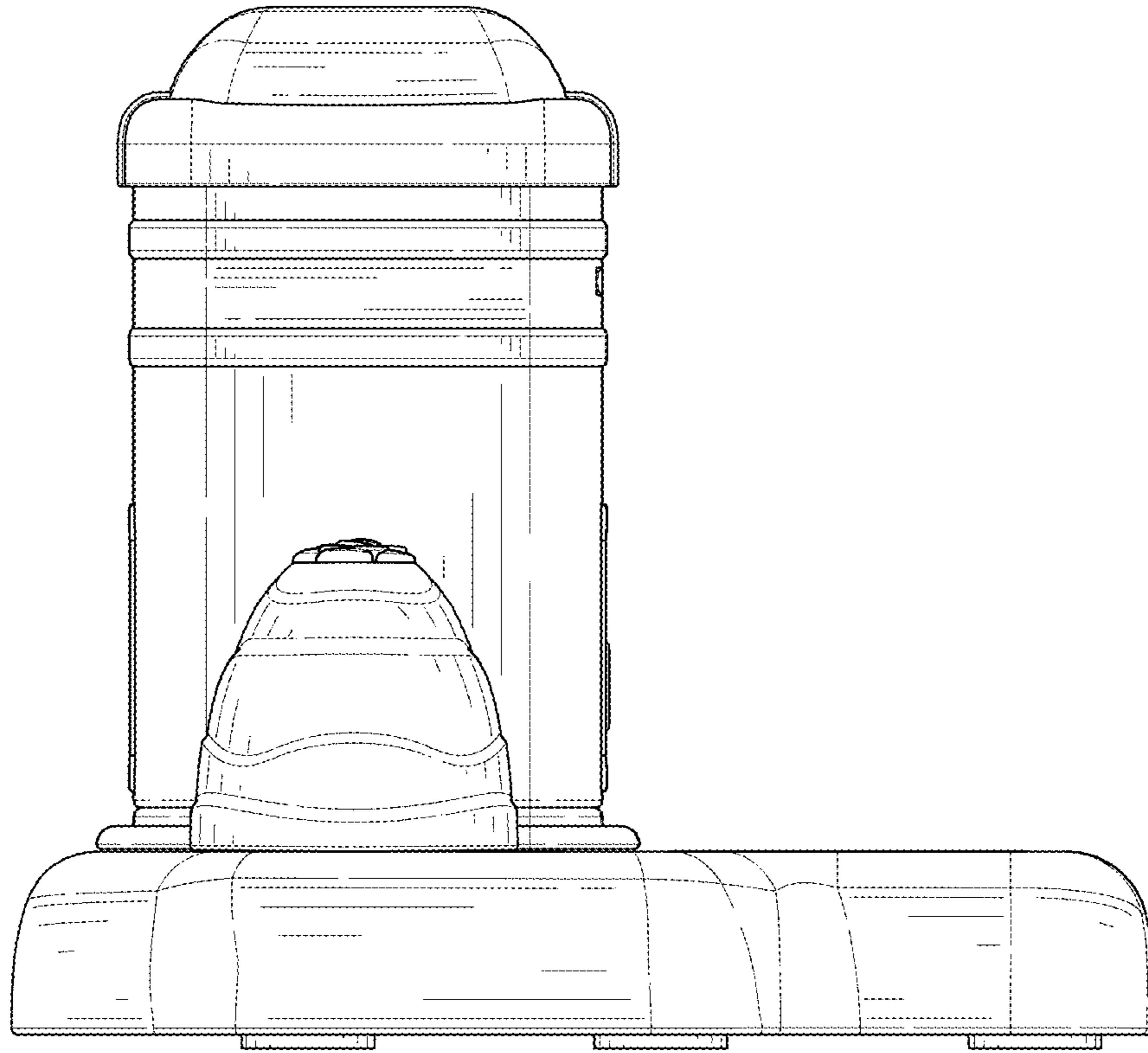


FIG. 5

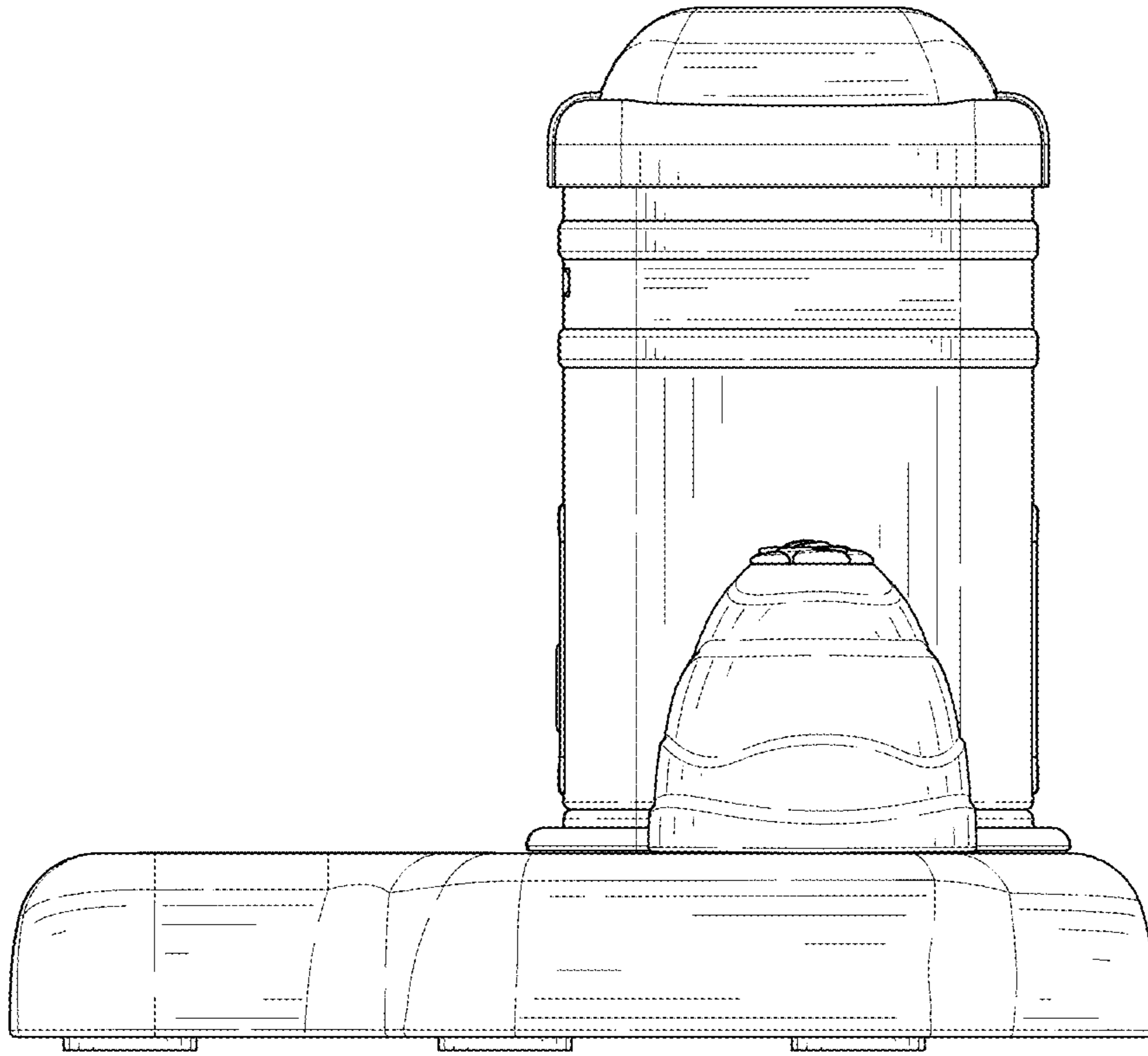


FIG. 6

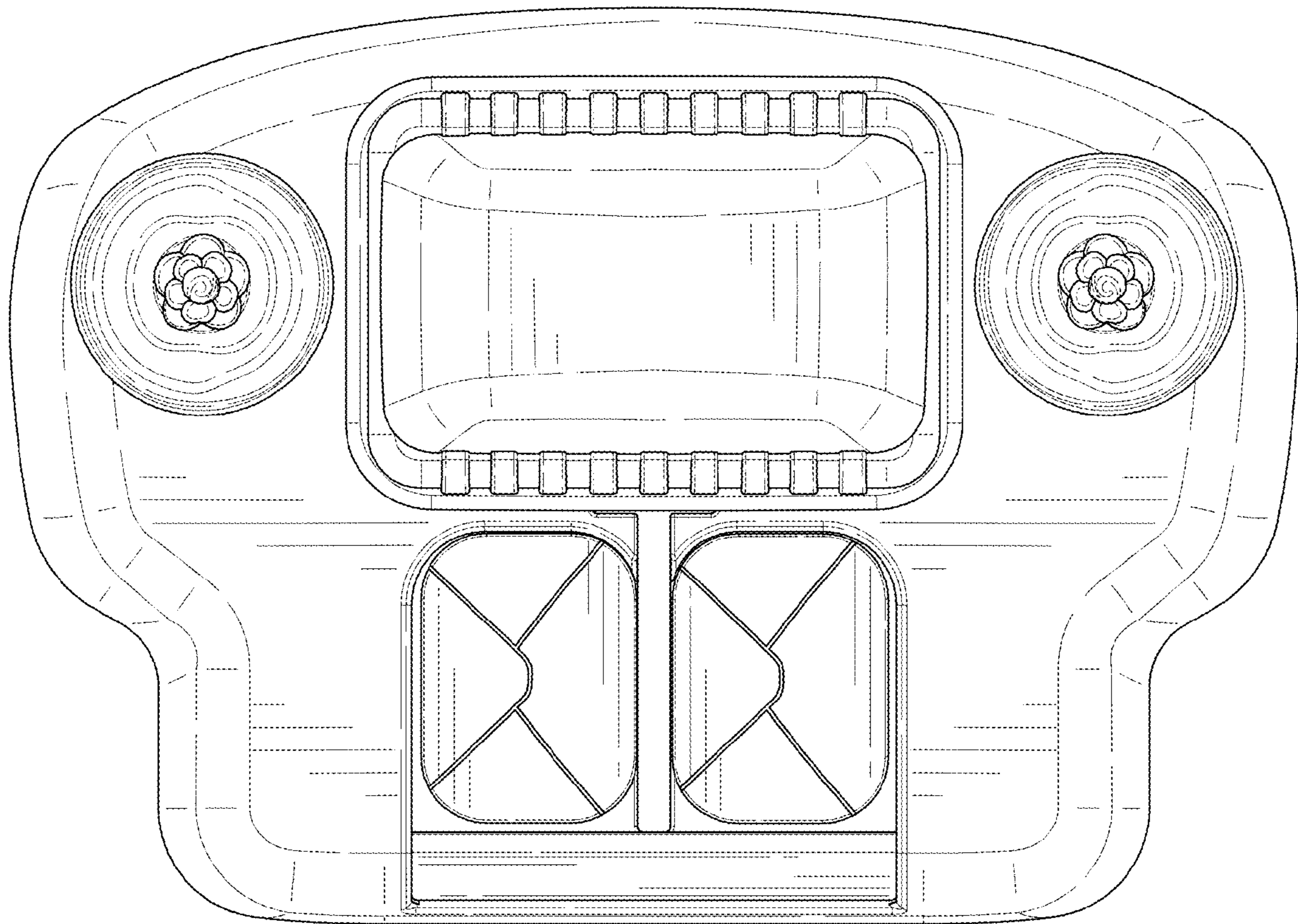


FIG. 7

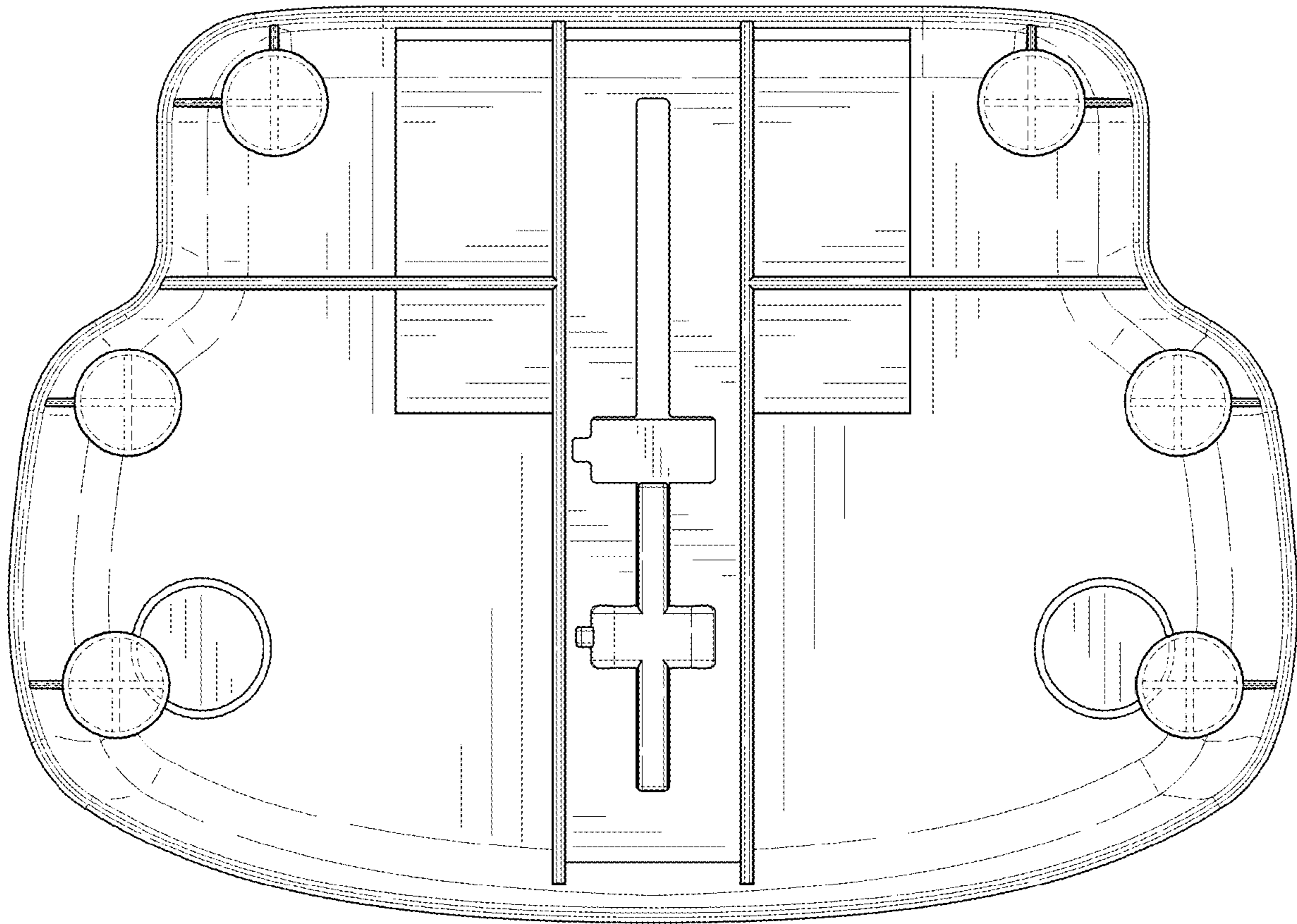


FIG. 8