



US00D921114S

(12) **United States Design Patent** (10) **Patent No.:** **US D921,114 S**  
**Beruto** (45) **Date of Patent:** **\*\* Jun. 1, 2021**

(54) **ELECTRONIC DISPLAY UNIT** D733,076 S \* 6/2015 Jacoby ..... G02F 1/13452  
 (71) Applicant: **Any Pte. Ltd.**, Singapore (SG) D734,277 S \* 7/2015 Jacoby ..... D13/171  
 D776,202 S \* 1/2017 Zenoff ..... H05B 45/10  
 (72) Inventor: **Olav Beruto**, Bangkok (TH) D860,319 S \* 9/2019 Beruto ..... D20/42  
 (73) Assignee: **Any Pte. Ltd.**, Singapore (SG) 2016/0073467 A1\* 3/2016 McDonald ..... H05B 45/10  
 315/151

(\*\*) Term: **15 Years**

\* cited by examiner

(21) Appl. No.: **35/508,104**

*Primary Examiner* — Mary Ann Calabrese

(22) Filed: **Jul. 9, 2019**

(74) *Attorney, Agent, or Firm* — JCIP; Joseph G. Chu;  
Jeremy I. Maynard

(80) **Hague Agreement Data**

Int. Filing Date: **Jul. 9, 2019**  
 Int. Reg. No.: **DM/204564**  
 Int. Reg. Date: **Jul. 9, 2019**  
 Int. Reg. Pub. Date: **Dec. 13, 2019**

(57) **CLAIM**

The ornamental design for an electronic display unit, as shown and described.

(51) **LOC (13) Cl.** ..... **20-03**

(52) **U.S. Cl.**  
USPC ..... **D20/42**

(58) **Field of Classification Search**  
 USPC ..... D20/10, 17, 19, 21, 39, 41, 42, 99  
 CPC ..... G09F 7/00; G09F 7/02; G09F 7/16; G09F  
 9/00; G09F 9/35; G09F 13/00; G09F  
 15/00  
 See application file for complete search history.

**DESCRIPTION**

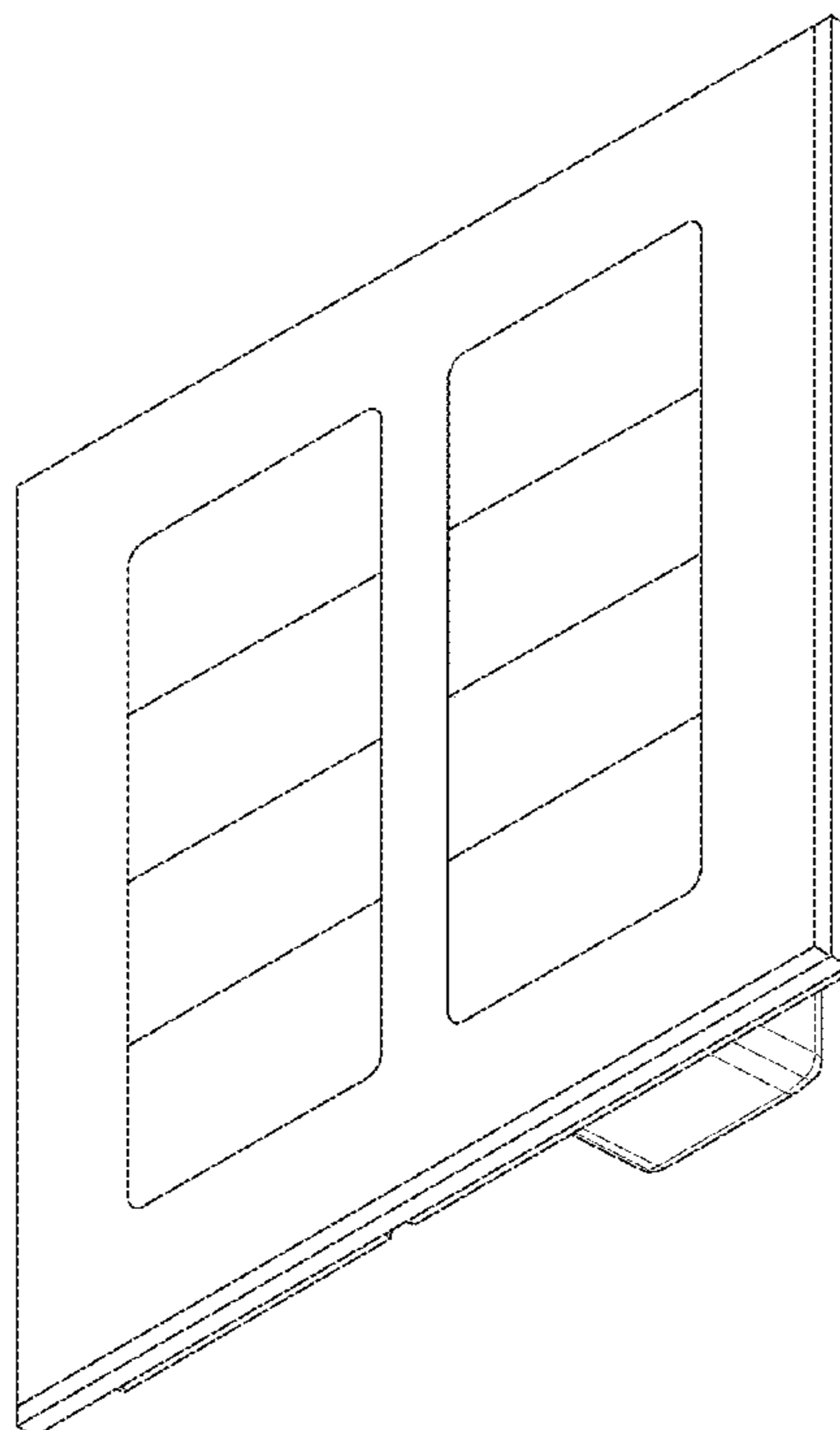
1.1 is a perspective view of an electronic display unit;  
 1.2 is a front view of the electronic display unit;  
 1.3 is a back view of the electronic display unit;  
 1.4 is a top view of the electronic display unit;  
 1.5 is a bottom view of the electronic display unit;  
 1.6 is a left side view of the electronic display unit; and  
 1.7 is a right side view of the electronic display unit.  
 Broken lines depict portions of the electronic display unit  
 that form no part of the claimed design.

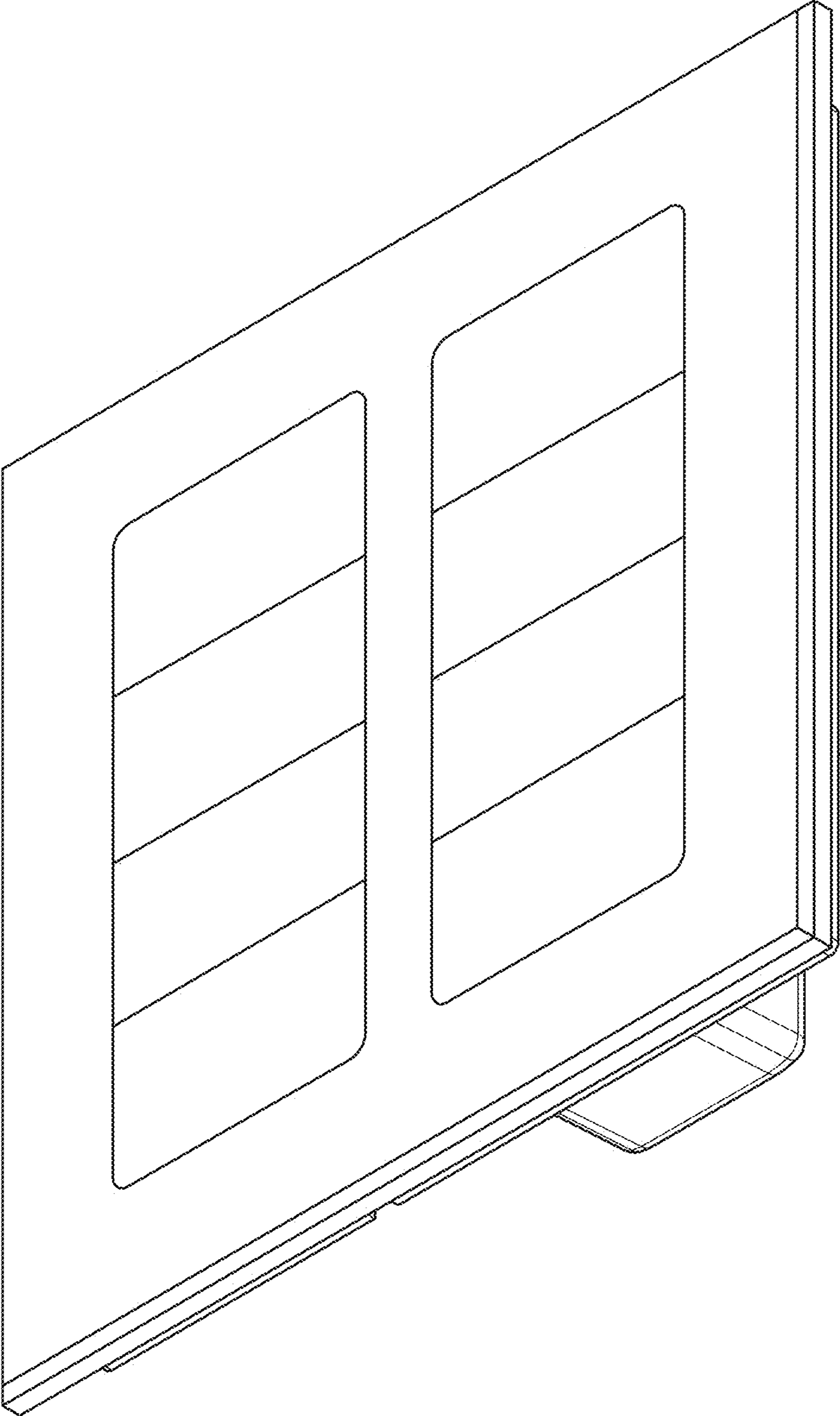
(56) **References Cited**

U.S. PATENT DOCUMENTS

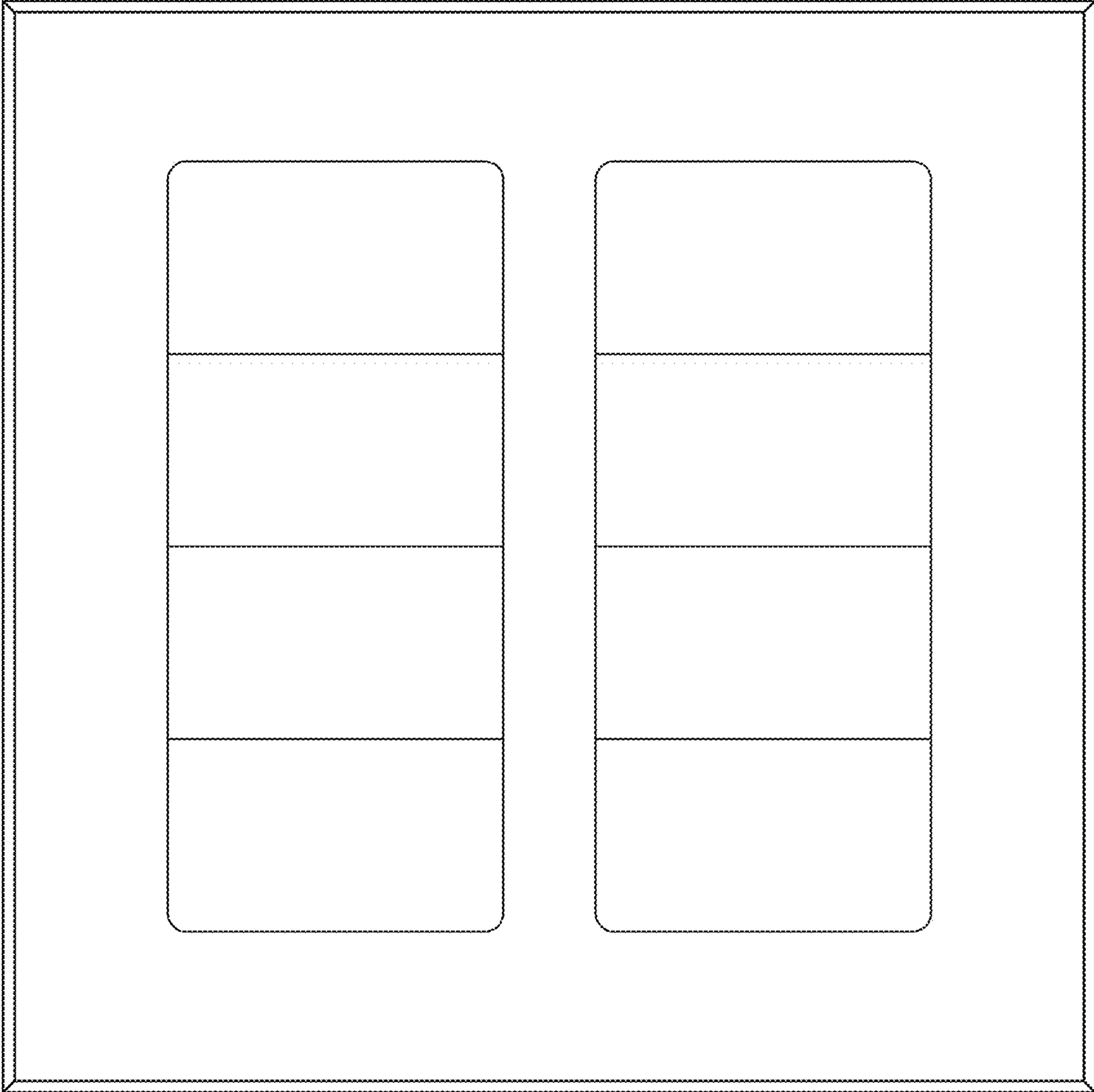
6,690,443 B1 \* 2/2004 Poliakine ..... G02F 1/13452  
 349/152  
 D564,457 S \* 3/2008 Billings ..... D13/162

**1 Claim, 7 Drawing Sheets**

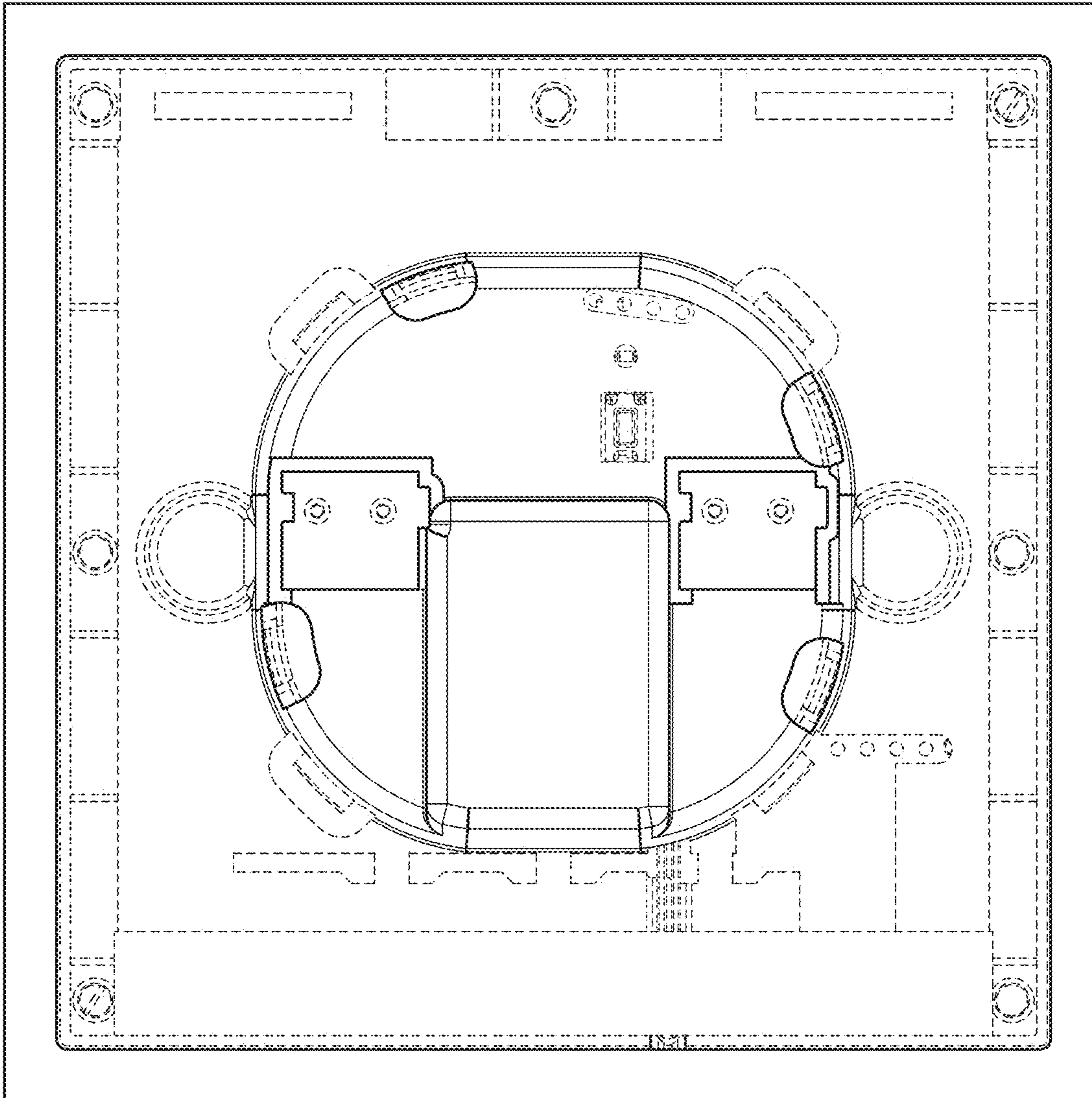




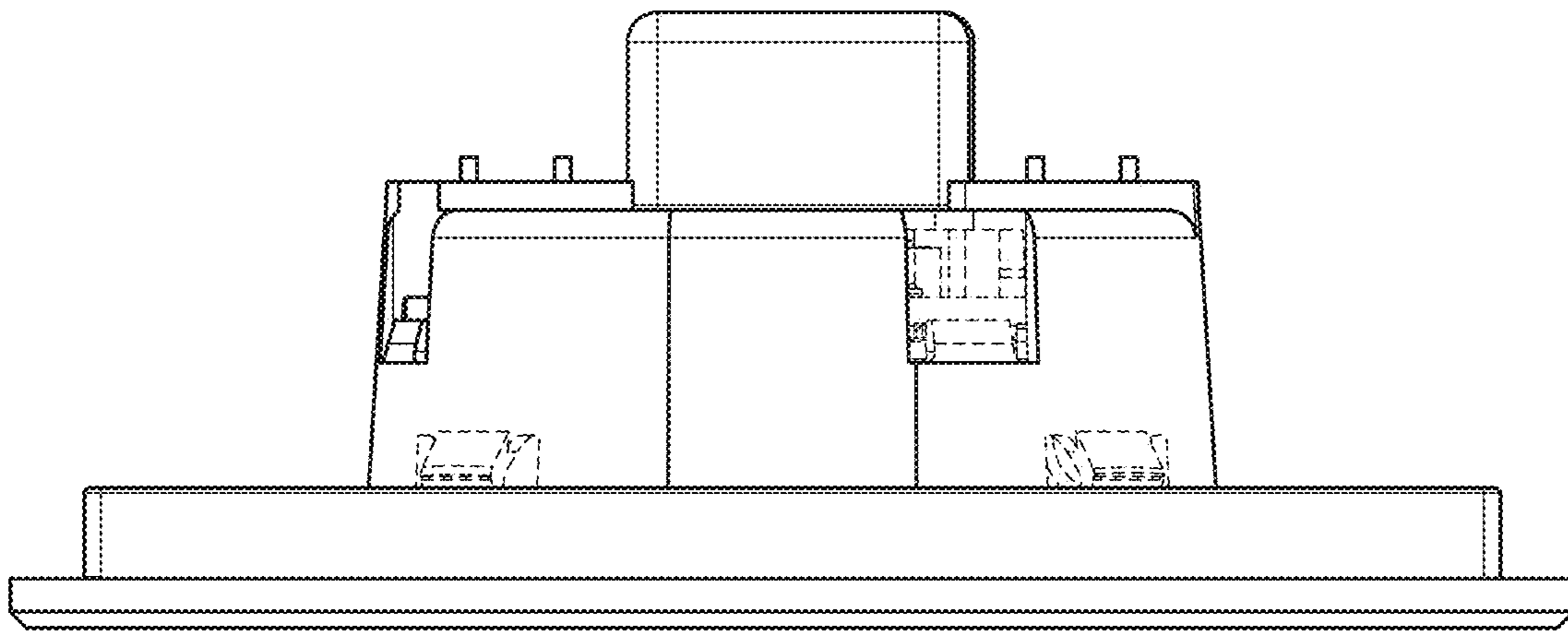
1.1



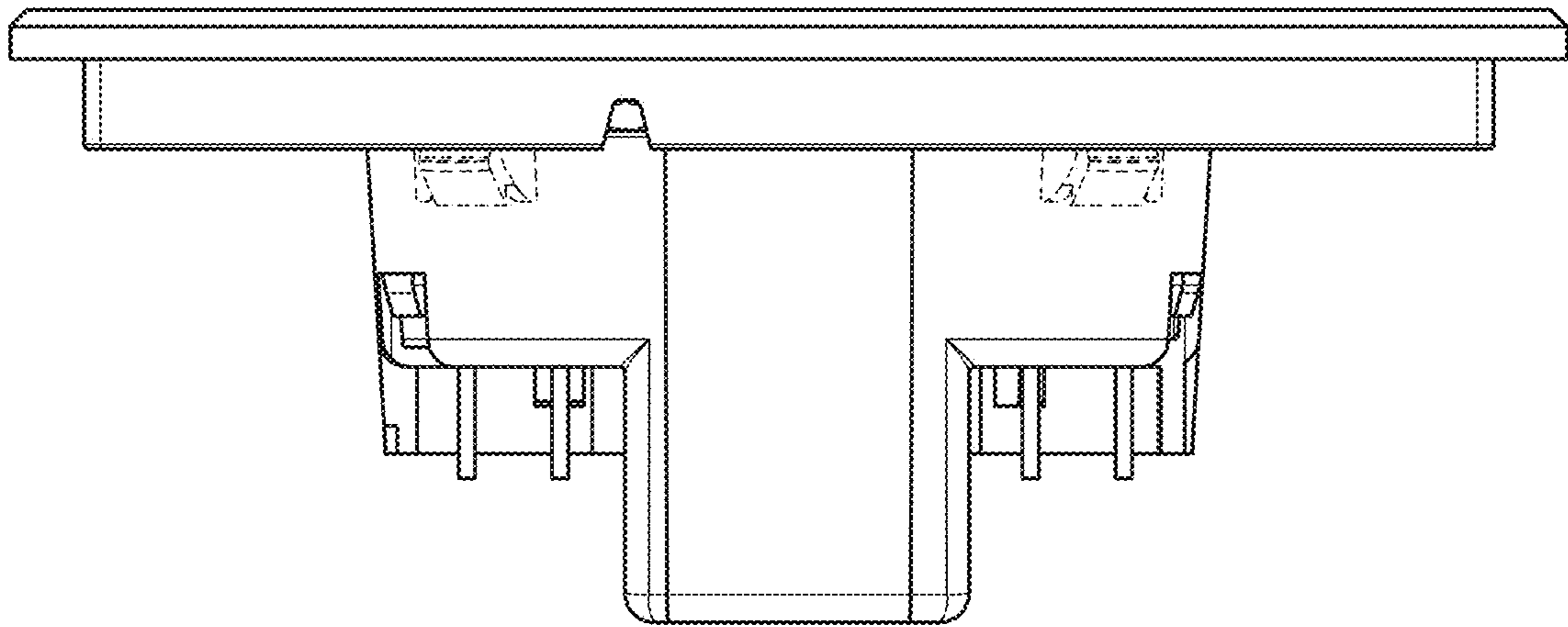
1.2



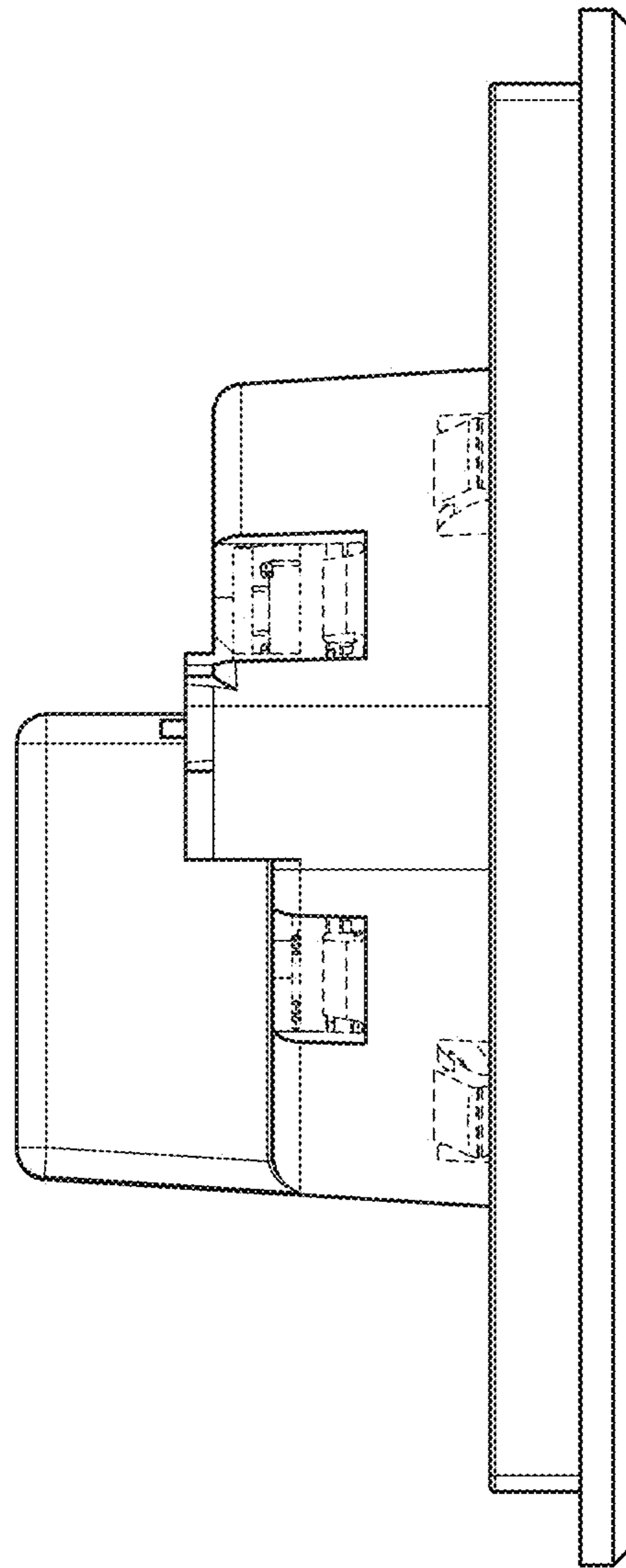
1.3



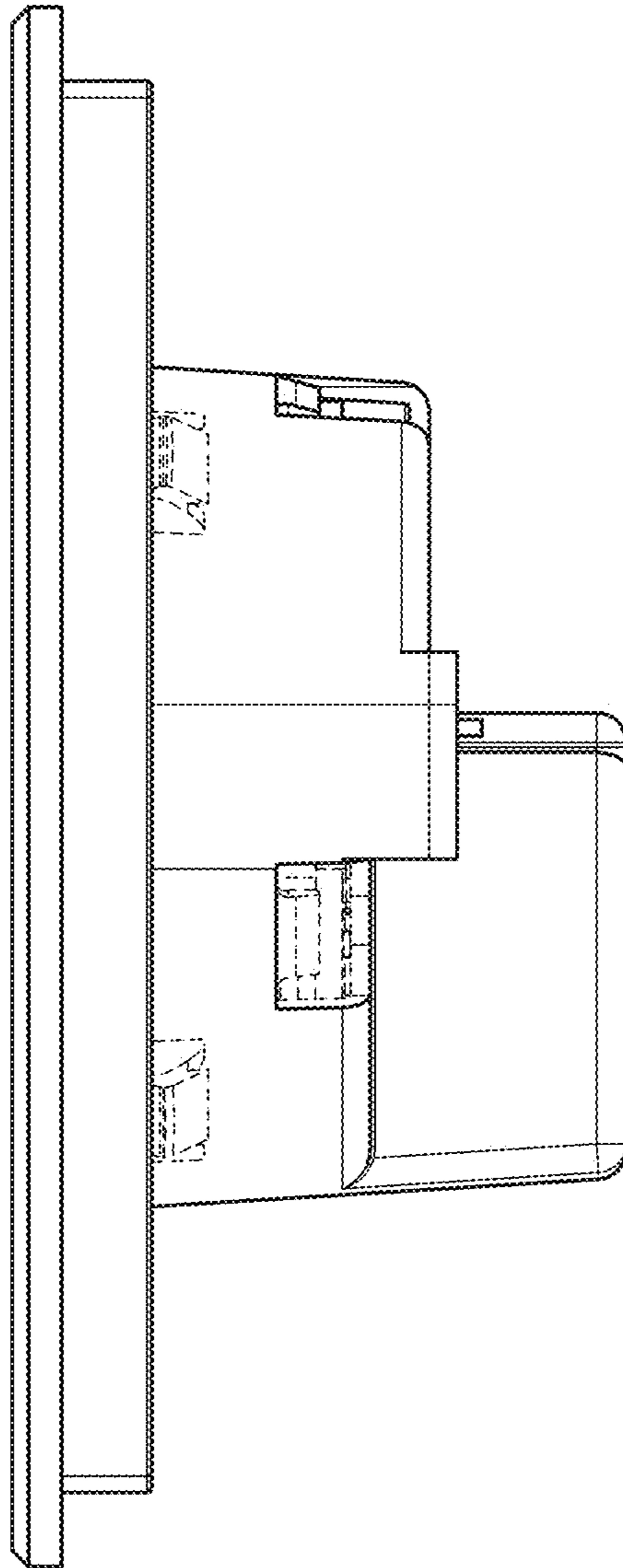
1.4



1.5



1.6



1.7