



US00D921110S

(12) **United States Design Patent**
Wong et al.

(10) **Patent No.:** **US D921,110 S**
(45) **Date of Patent:** **** Jun. 1, 2021**

(54) **DRAWING TOOL**

(71) Applicant: **WobbleWorks, Inc.**, Wilmington, DE (US)

(72) Inventors: **Samson Wong**, Hong Kong (HK);
Maxwell Bogue, Wilmington, DE (US)

(73) Assignee: **WobbleWorks, Inc.**, Wilmington, DE (US)

(**) Term: **15 Years**

(21) Appl. No.: **29/691,712**

(22) Filed: **May 17, 2019**

(51) **LOC (13) Cl.** **19-06**

(52) **U.S. Cl.**
USPC **D19/108**

(58) **Field of Classification Search**
USPC D19/108; D8/61, 68; D7/376, 377, 378
CPC .. B43L 7/005; B43L 7/007; B43L 7/08; B43L 11/00; B43L 13/00; B43L 13/02; B43L 13/10; B43L 15/00; B29C 64/118; B29C 48/02

See application file for complete search history.

(56) **References Cited**

U.S. PATENT DOCUMENTS

D131,659 S	*	3/1942	Decker	D8/61
D189,473 S	*	12/1960	Bertsch	D8/309
D236,185 S	*	8/1975	Curtiss et al.	D8/70
D240,498 S	*	7/1976	Foltz	D8/68
D241,705 S	*	10/1976	Kotome	D8/68
D253,116 S	*	10/1979	Tsuyuki	D19/108
D288,770 S	*	3/1987	Doman	D8/68
D304,152 S	*	10/1989	Kmetz	D8/68
D329,580 S	*	9/1992	Sasaki	D8/68
D331,531 S	*	12/1992	Guhl	D8/309

D342,430 S	*	12/1993	Saito	D8/68
D369,965 S	*	5/1996	Decursu	D8/308
D436,819 S	*	1/2001	Liu	D8/68
D456,684 S	*	5/2002	Izumisawa	D8/62
D458,101 S	*	6/2002	Hartman	D8/61
D459,178 S	*	6/2002	Heun	D8/68
D469,673 S	*	2/2003	Sliker	D8/68
D472,781 S	*	4/2003	Netzler	D8/68
D472,782 S	*	4/2003	Pusateri	D8/68
D493,084 S	*	7/2004	Yang	D8/68
D545,159 S	*	6/2007	Schoen	D8/68
D597,392 S	*	8/2009	Meyers	D8/68
D715,123 S	*	10/2014	Siciliano	D8/68
D793,186 S	*	8/2017	Tinius	D8/1
D806,461 S	*	1/2018	Upston	D7/323
D811,795 S	*	3/2018	Upston	D7/323
D814,262 S	*	4/2018	Khubani	D8/68

* cited by examiner

Primary Examiner — Elizabeth A. Albert

(74) *Attorney, Agent, or Firm* — Nathan S. Smith;
Morgan, Lewis & Bockius LLP

(57) **CLAIM**

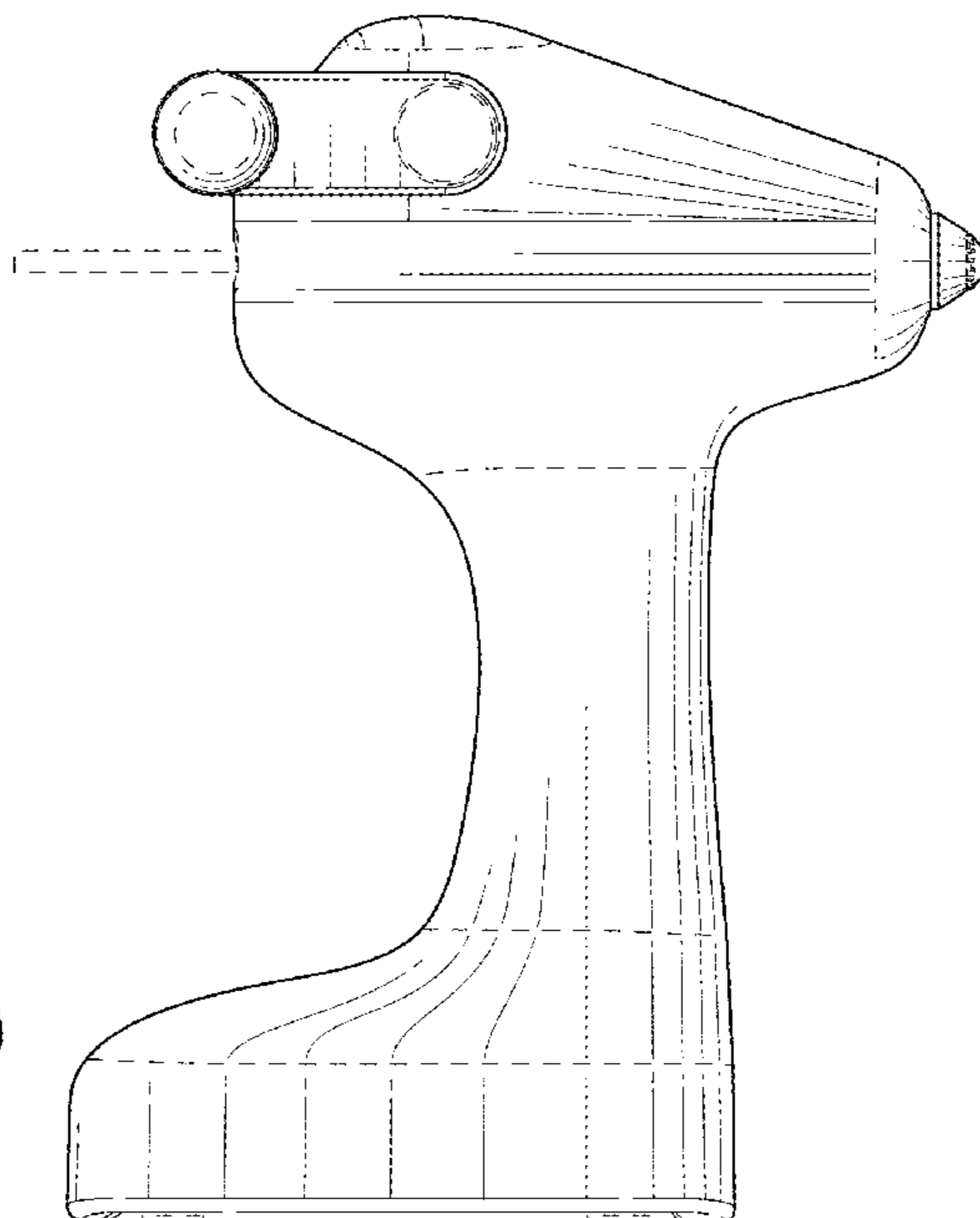
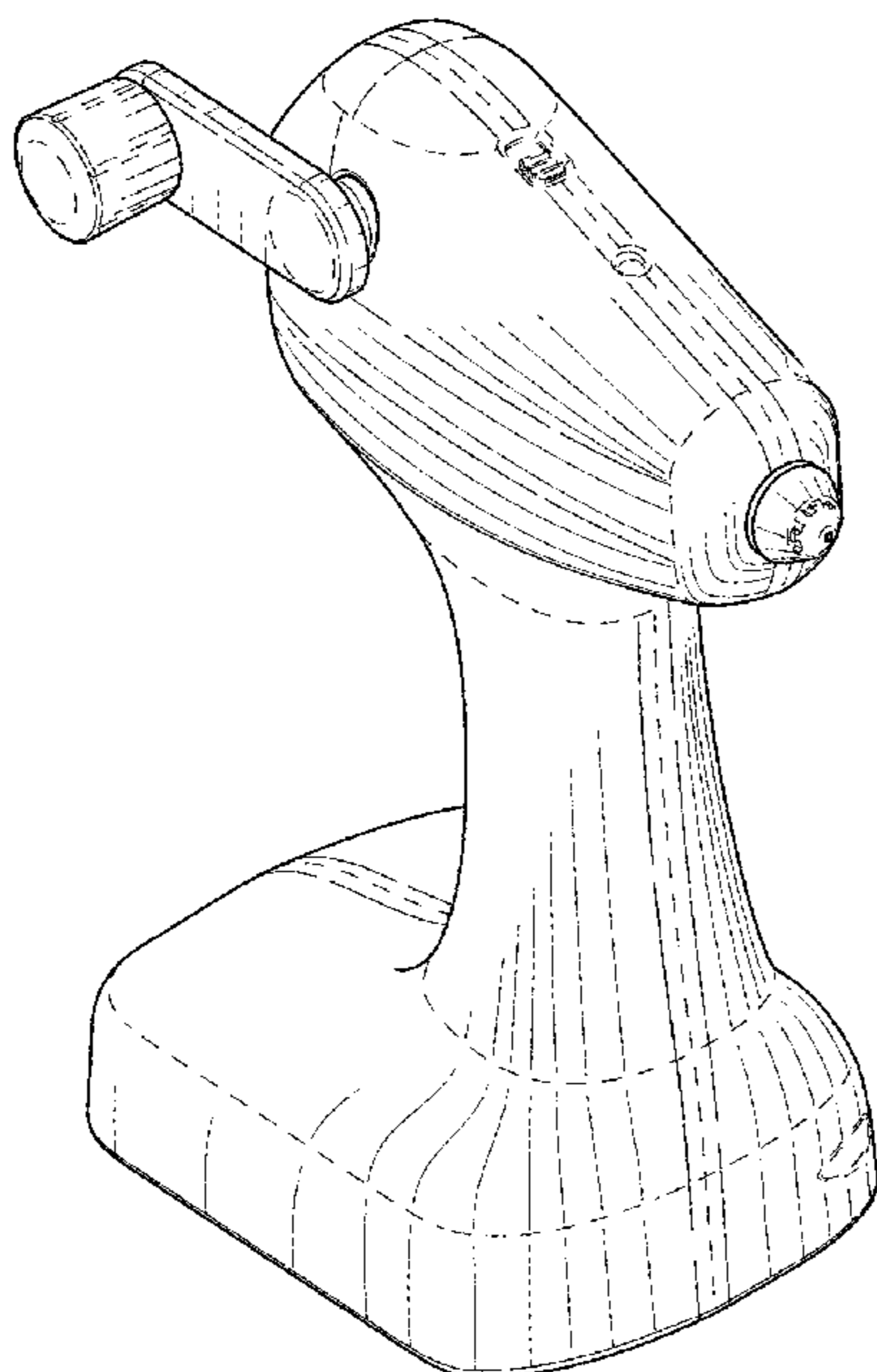
The ornamental design for a drawing tool, as shown and described.

DESCRIPTION

FIG. 1 is a front, top perspective view of a drawing tool; FIG. 2 is a right side view thereof; FIG. 3 is a left side view thereof; FIG. 4 is a rear side view thereof; FIG. 5 is a front side view thereof; FIG. 6 is a top plan view thereof; and, FIG. 7 is a bottom plan view thereof.

The broken lines shown in the figures are included for the purpose of showing features or portions of the drawing tool that form no part of the claimed design.

1 Claim, 5 Drawing Sheets



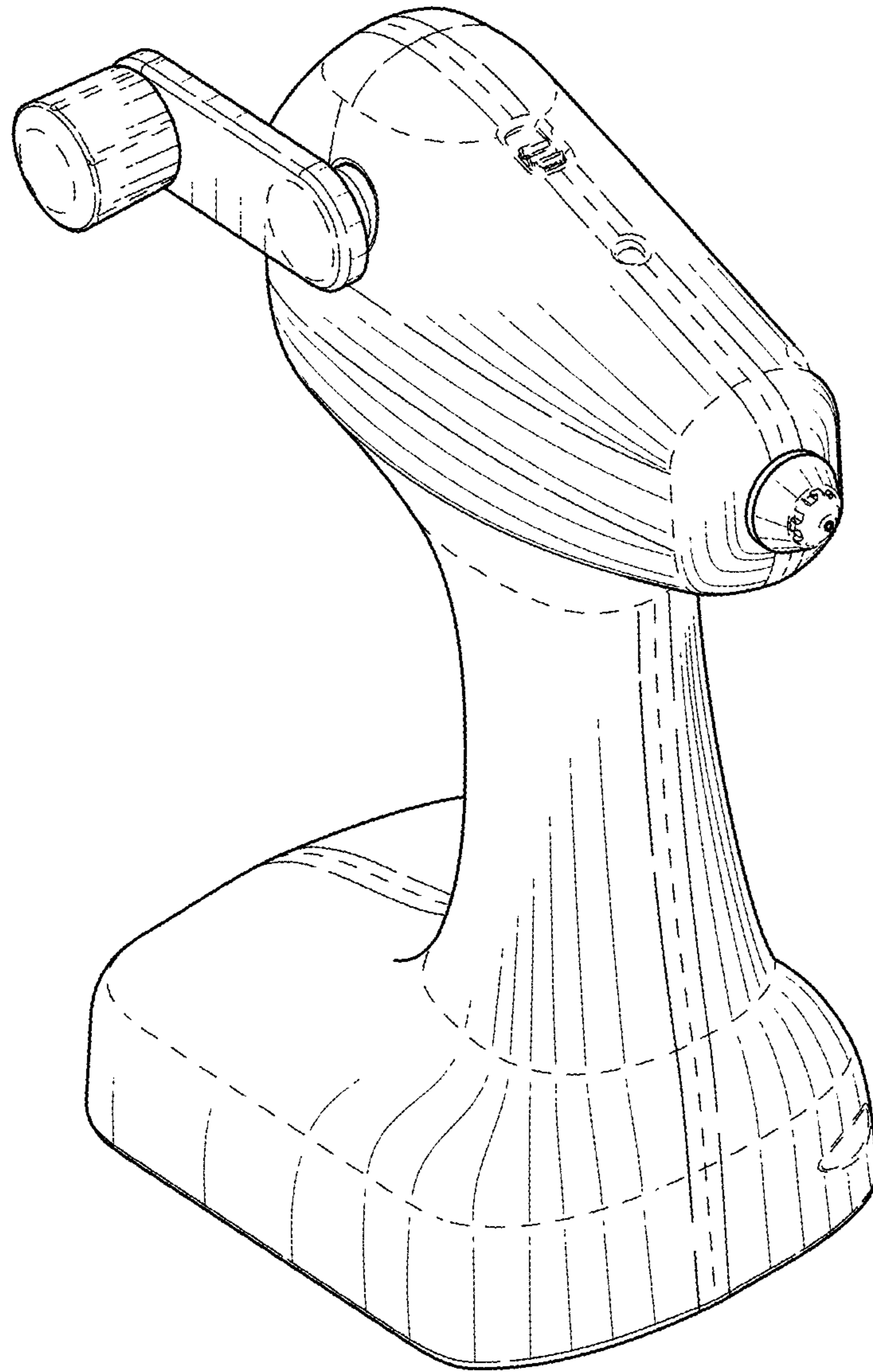


FIG. 1

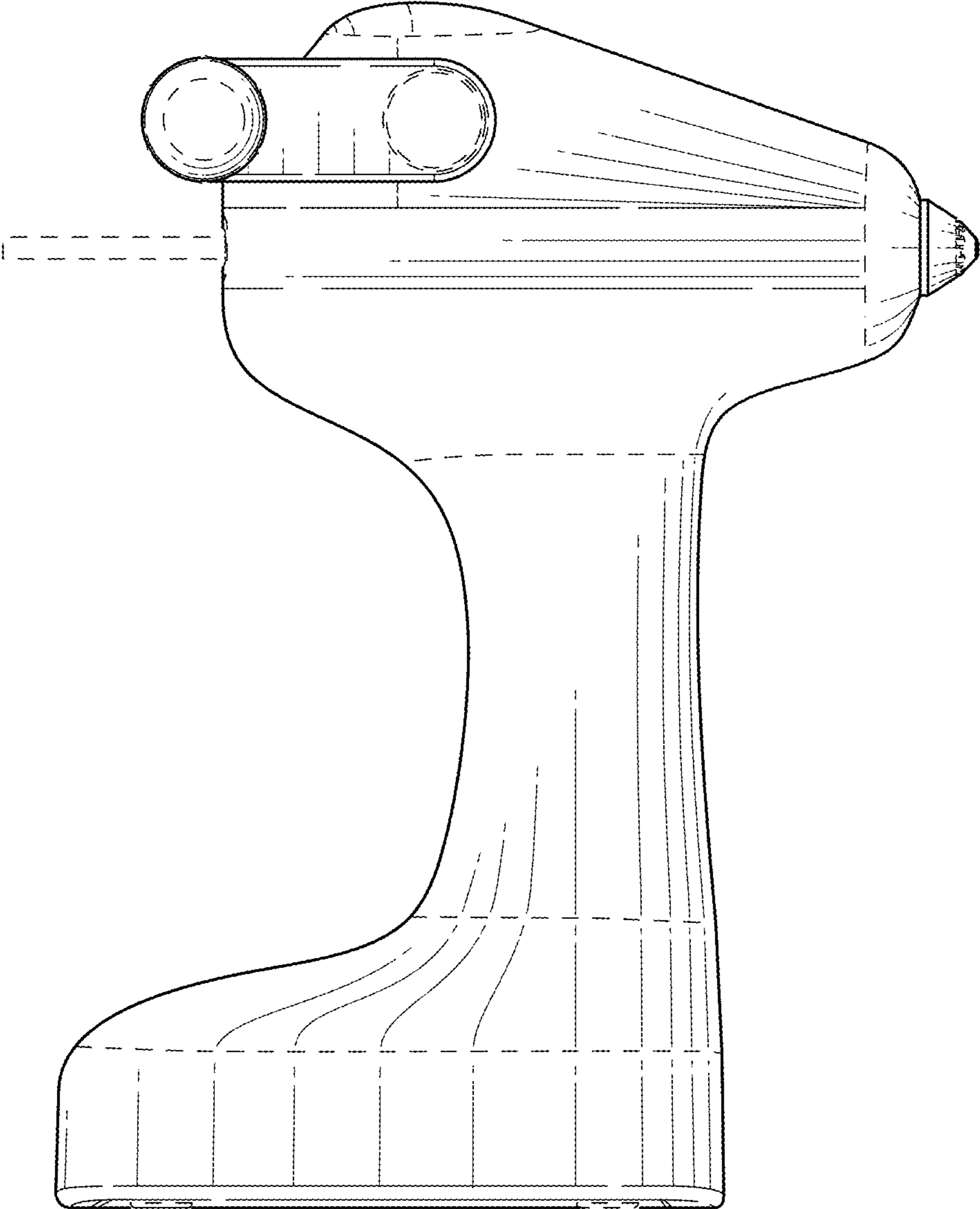


FIG. 2

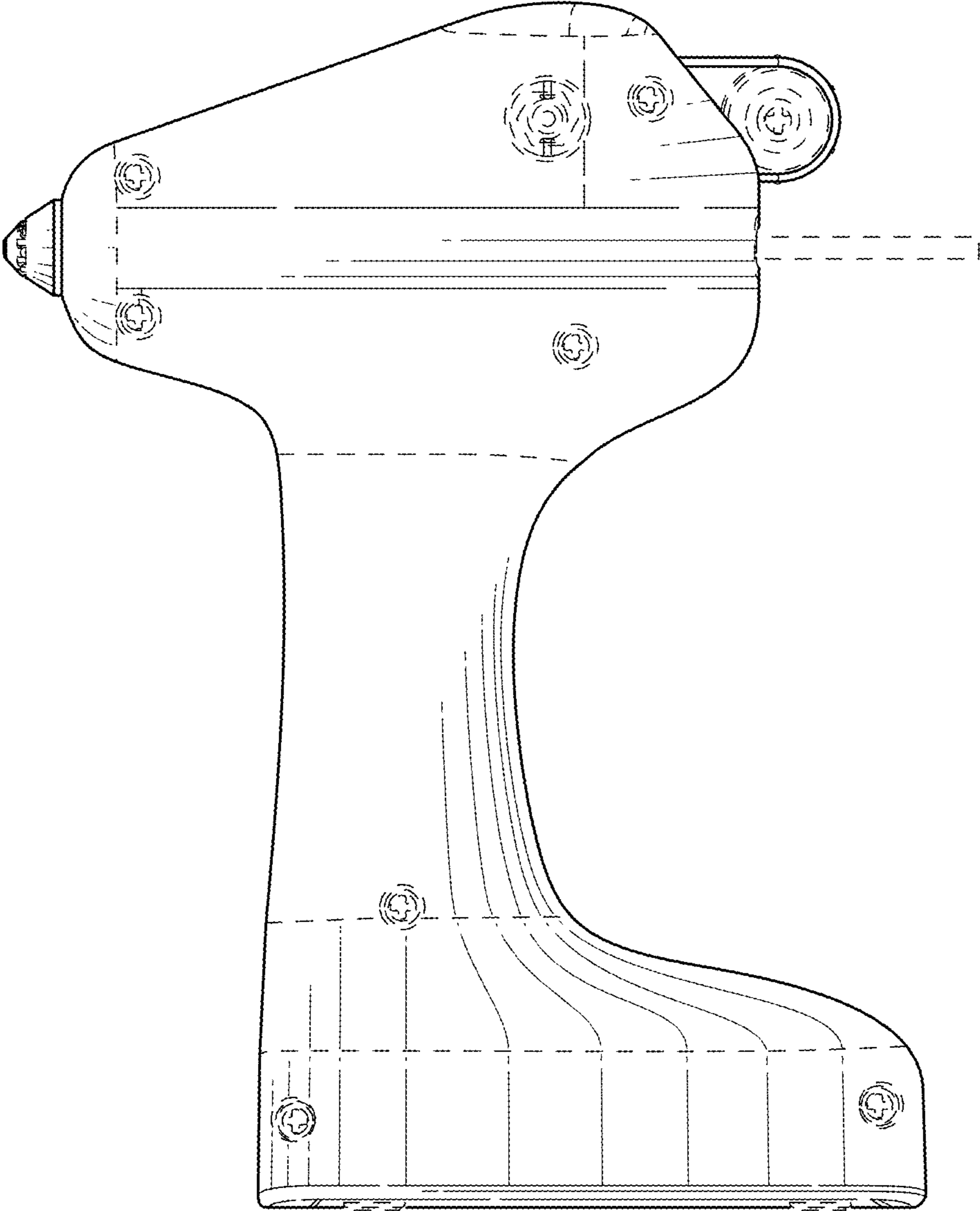


FIG. 3

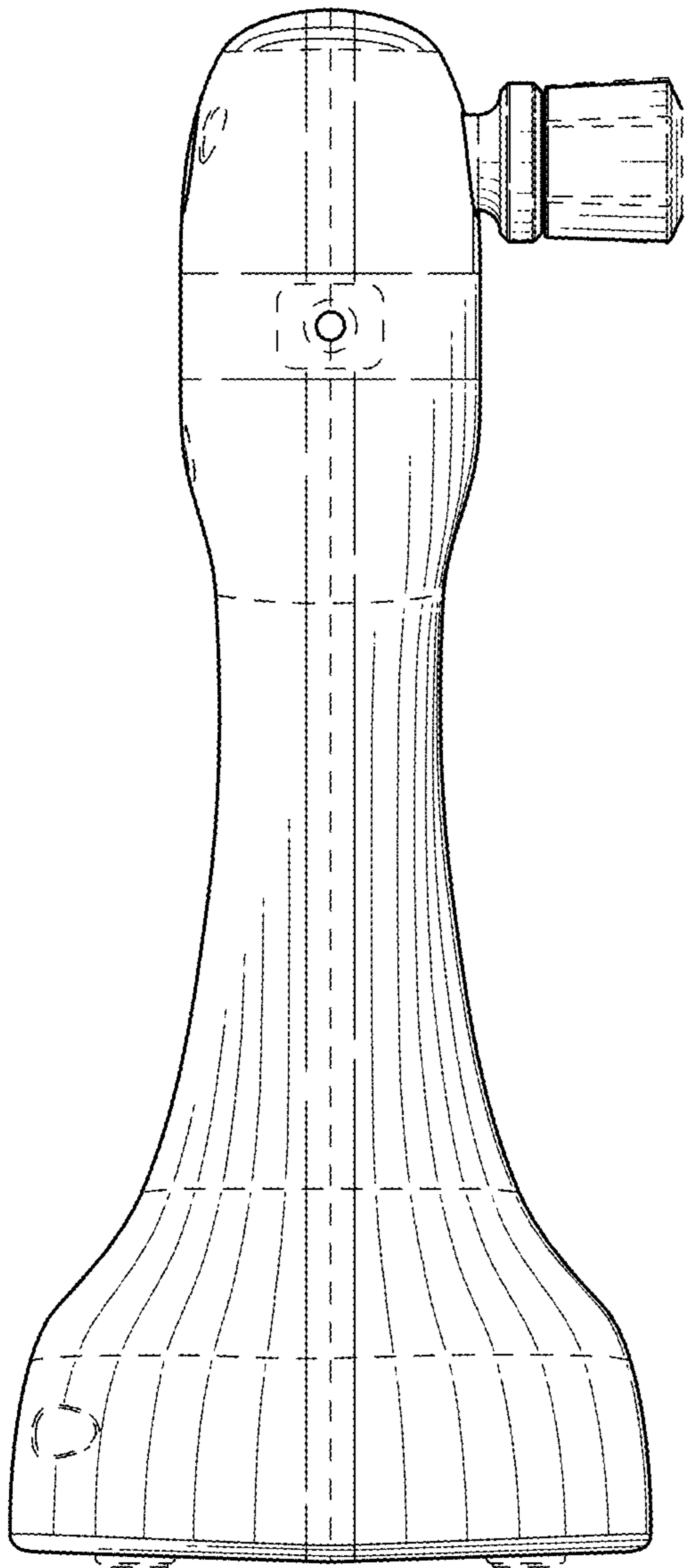


FIG. 4

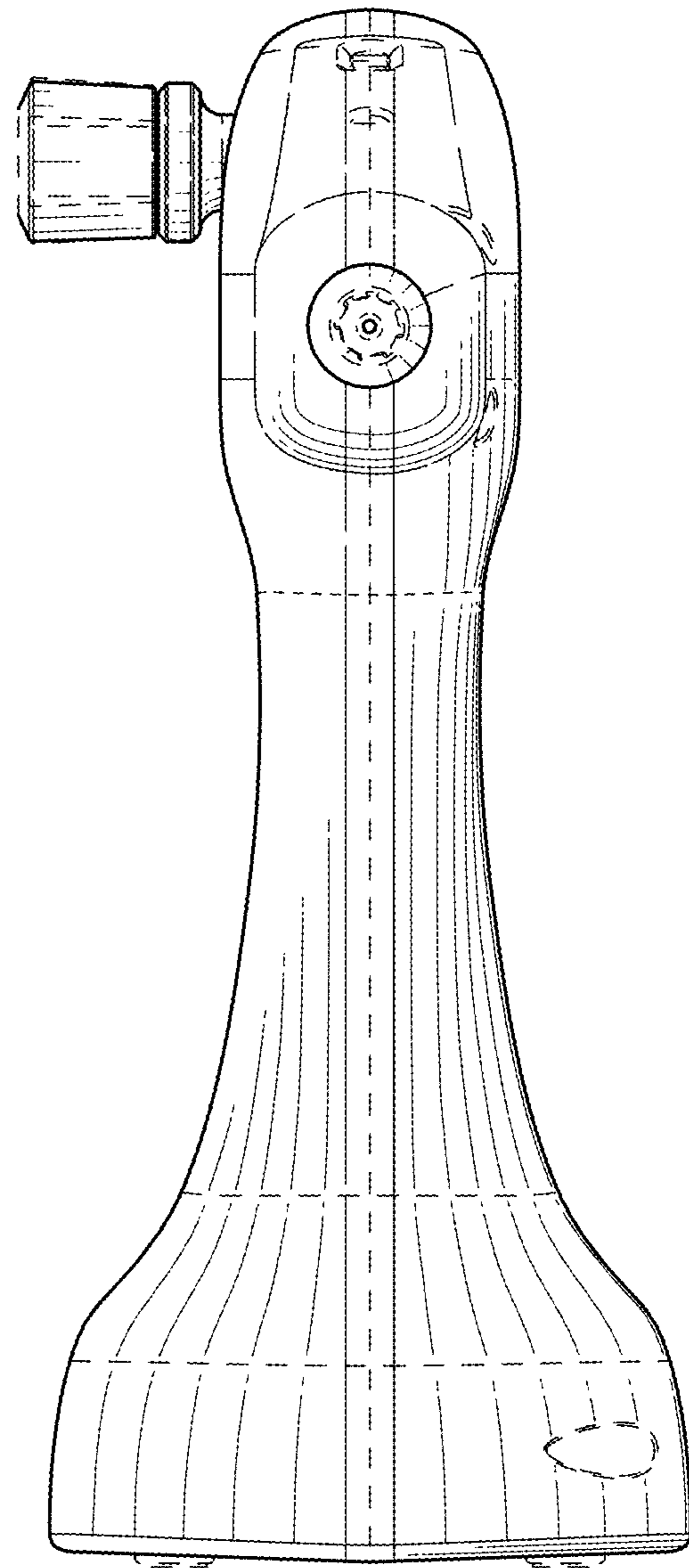


FIG. 5

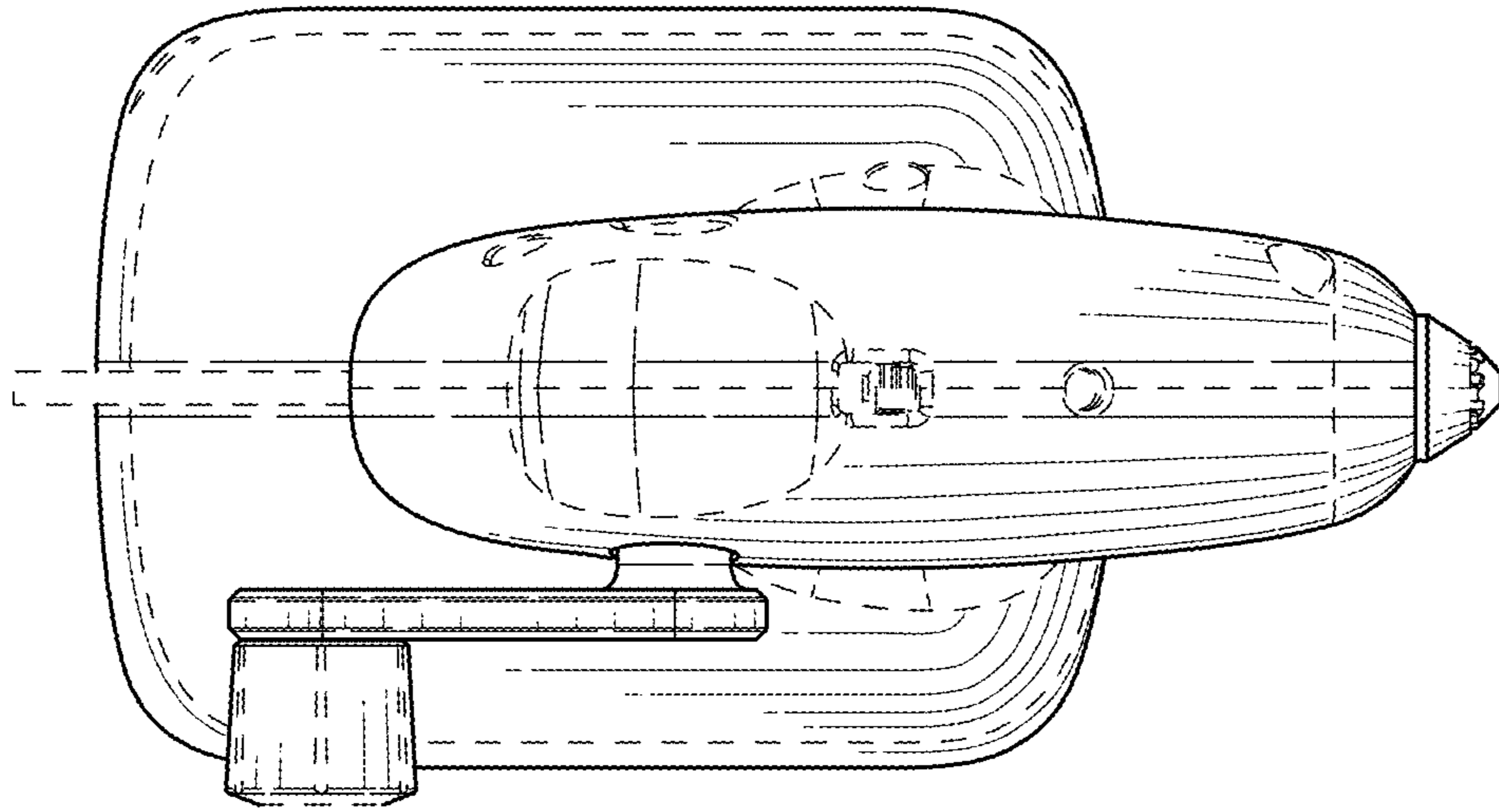


FIG. 6

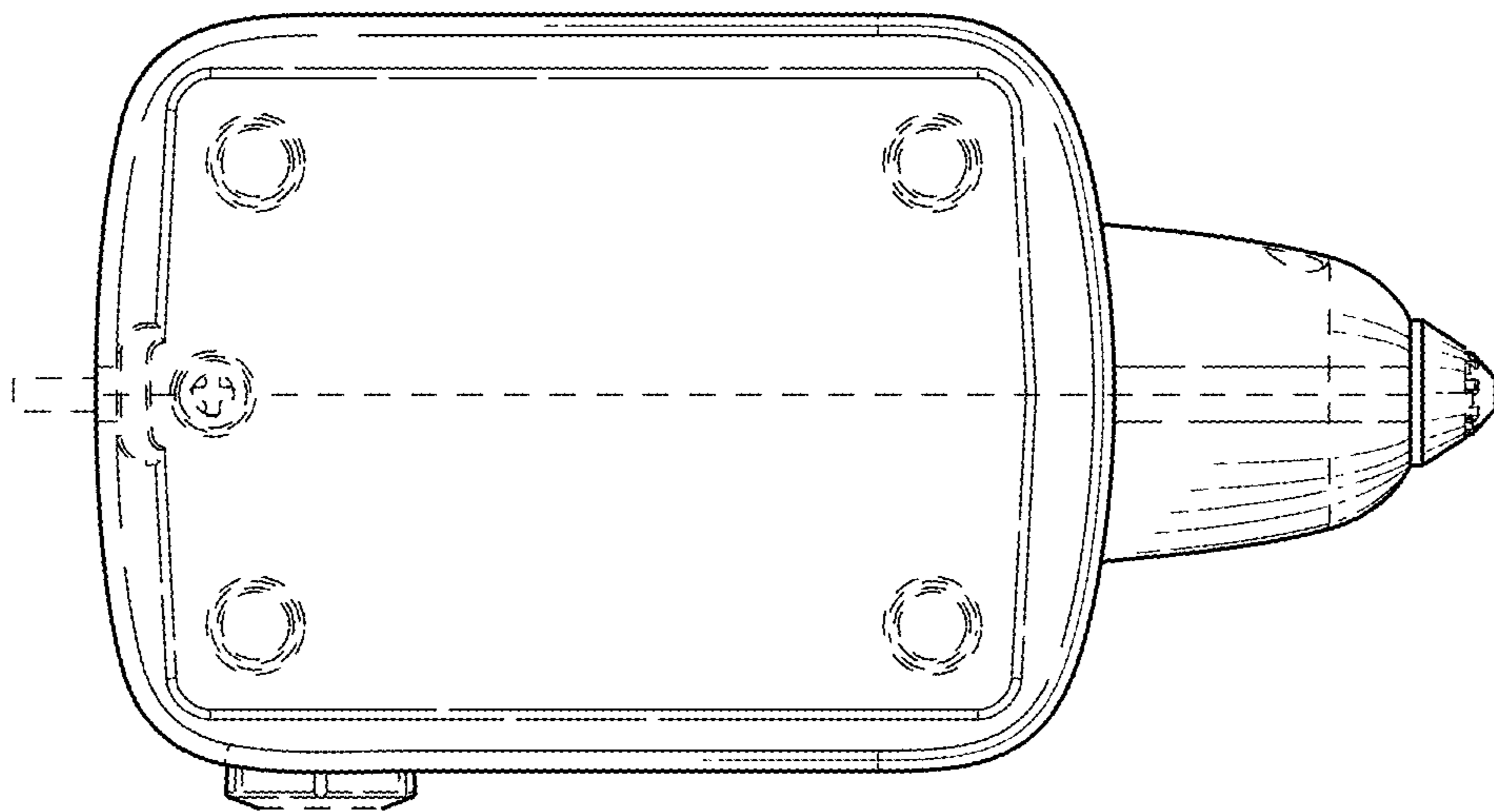


FIG. 7