



US00D921109S

(12) **United States Design Patent** (10) **Patent No.:** **US D921,109 S**  
**Ylitalo** (45) **Date of Patent:** **\*\* Jun. 1, 2021**

(54) **MANUAL CALCULATING DEVICE**  
(71) Applicant: **Dale Ylitalo**, Cokato, MN (US)  
(72) Inventor: **Dale Ylitalo**, Cokato, MN (US)  
(\*\*) Term: **15 Years**  
(21) Appl. No.: **29/729,100**  
(22) Filed: **Mar. 24, 2020**

2012/0028229 A1\* 2/2012 Harte ..... G06C 1/00  
434/203  
2013/0236864 A1\* 9/2013 Harte ..... G09B 19/02  
434/203  
2013/0273513 A1\* 10/2013 Franklin ..... G09B 19/02  
434/203

(Continued)

**FOREIGN PATENT DOCUMENTS**

FR 2849936 B1 \* 4/2005 ..... G09B 19/02

**OTHER PUBLICATIONS**

YouTube. Link: <https://www.youtube.com/watch?v=3gjDfc2AF3w>.  
Aug. 1, 2008. Napier's Bones. (Year: 2008).\*

(Continued)

*Primary Examiner* — Lauren D McVey  
(74) *Attorney, Agent, or Firm* — Dunlap Bennett &  
Ludwig, PLLC; Brendan E. Squire

**Related U.S. Application Data**

(63) Continuation of application No. 29/638,287, filed on  
Feb. 26, 2018, now abandoned, which is a  
continuation of application No. 14/878,168, filed on  
Oct. 8, 2015, now abandoned.  
(51) **LOC (13) Cl.** ..... **19-07**  
(52) **U.S. Cl.**  
USPC ..... **D19/64; D18/6**  
(58) **Field of Classification Search**  
USPC ..... D19/59-64; D18/6, 9  
CPC ..... G06N 99/005; G06C 1/00; A44C 5/0015;  
A63B 71/0672; A63F 3/04; A63F 3/0478;  
A63F 3/00634; A63F 9/0098; A63F 9/06;  
G09B 1/02; G09B 1/10; G09B 1/14;  
G09B 1/20; G09B 19/00; G09B 19/02;  
G09B 9/02  
See application file for complete search history.

(57) **CLAIM**

The ornamental design for a manual calculating device, as  
shown and described.

**DESCRIPTION**

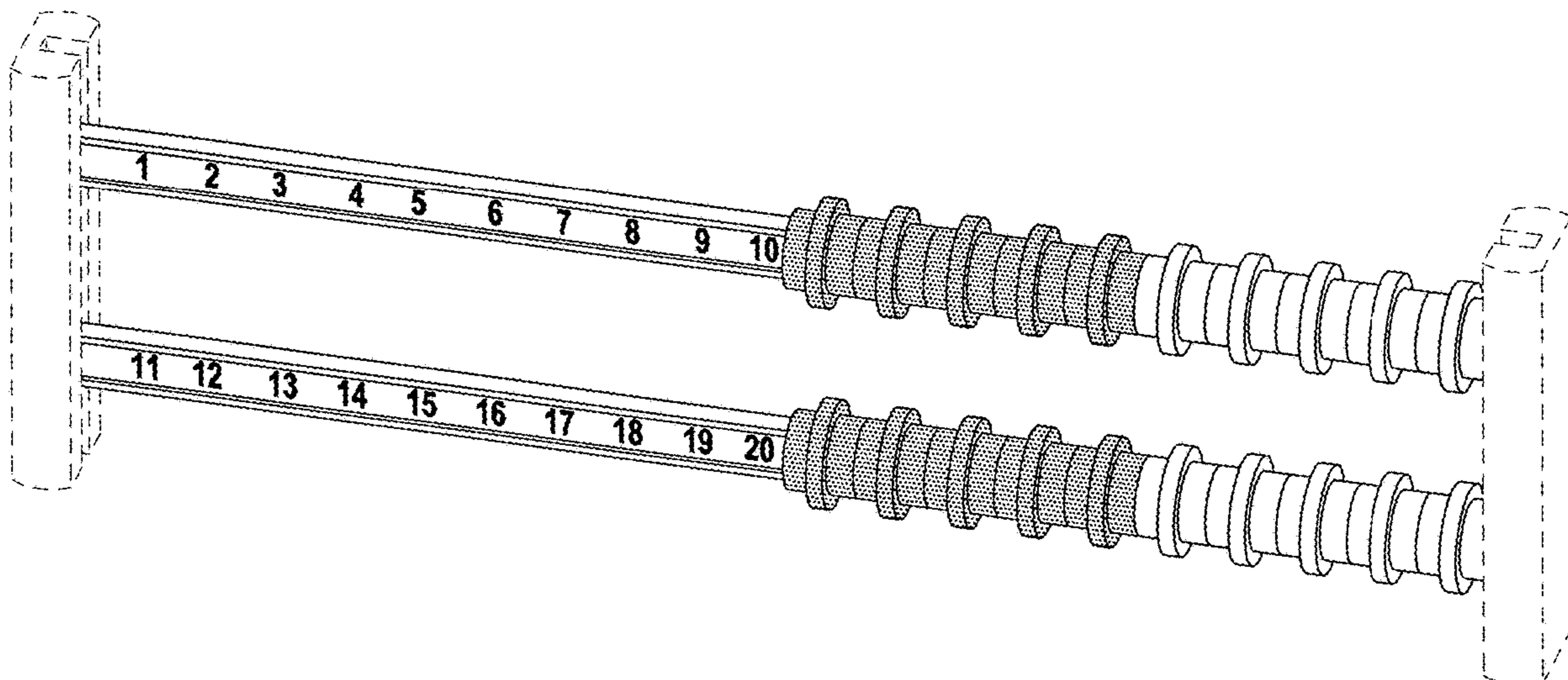
FIG. 1 is a perspective view of a manual calculating device,  
showing my new design;  
FIG. 2 is a front elevation view thereof;  
FIG. 3 is a rear elevation view thereof;  
FIG. 4 is a top elevation view thereof, the bottom elevation  
view being a mirror image thereof; and,  
FIG. 5 is a right side elevation view thereof, the left side  
elevation view being a mirror image thereof.  
The broken lines are directed to environment and form no  
part of the claimed design.  
The stippled shading is meant to indicate a contrast in  
appearance between the remainder of the manual calculating  
device.

(56) **References Cited**

**U.S. PATENT DOCUMENTS**

519,663 A \* 5/1894 Carr ..... 52/311.3  
2,646,631 A \* 7/1953 Lazar ..... G09B 19/02  
434/203  
D181,754 S \* 12/1957 Schott ..... D18/6  
D284,775 S \* 7/1986 Akiyama ..... 434/174  
D308,698 S \* 6/1990 Dorman ..... 482/34  
D841,733 S \* 2/2019 Herrmann ..... D19/64  
D878,459 S \* 3/2020 Rule ..... D19/64  
2007/0166673 A1\* 7/2007 Frieman ..... G06C 1/00  
434/203

**1 Claim, 3 Drawing Sheets**



(56)

**References Cited**

U.S. PATENT DOCUMENTS

2015/0293554 A1\* 10/2015 Herrmann ..... G06C 1/00  
434/203  
2017/0102729 A1\* 4/2017 Ylitalo ..... G06C 15/04

OTHER PUBLICATIONS

Low-Tech Magazine. Link: <https://www.lowtechmagazine.com/2008/05/computers-antiq.html>. May 2008. Mechanical calculators: computing without electricity. (Year: 2008).\*

\* cited by examiner

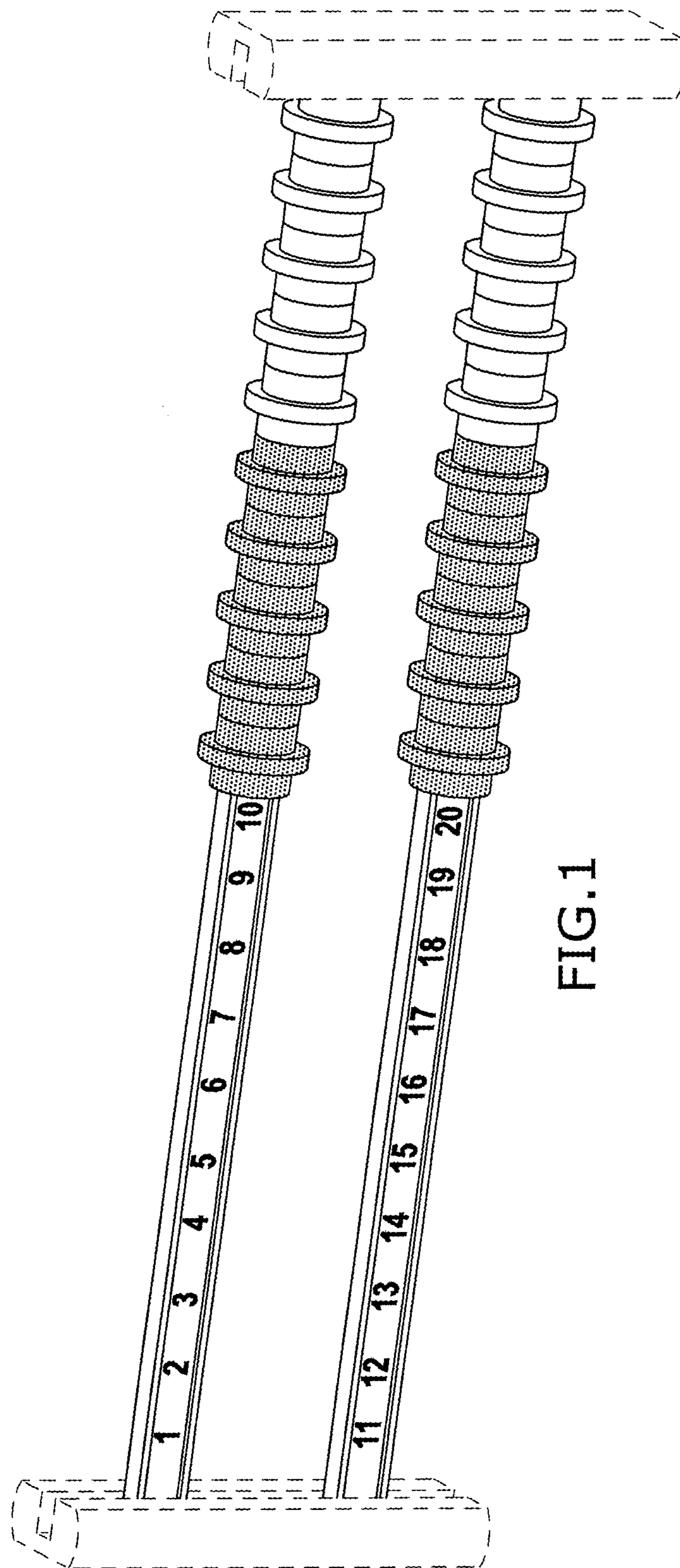


FIG.1

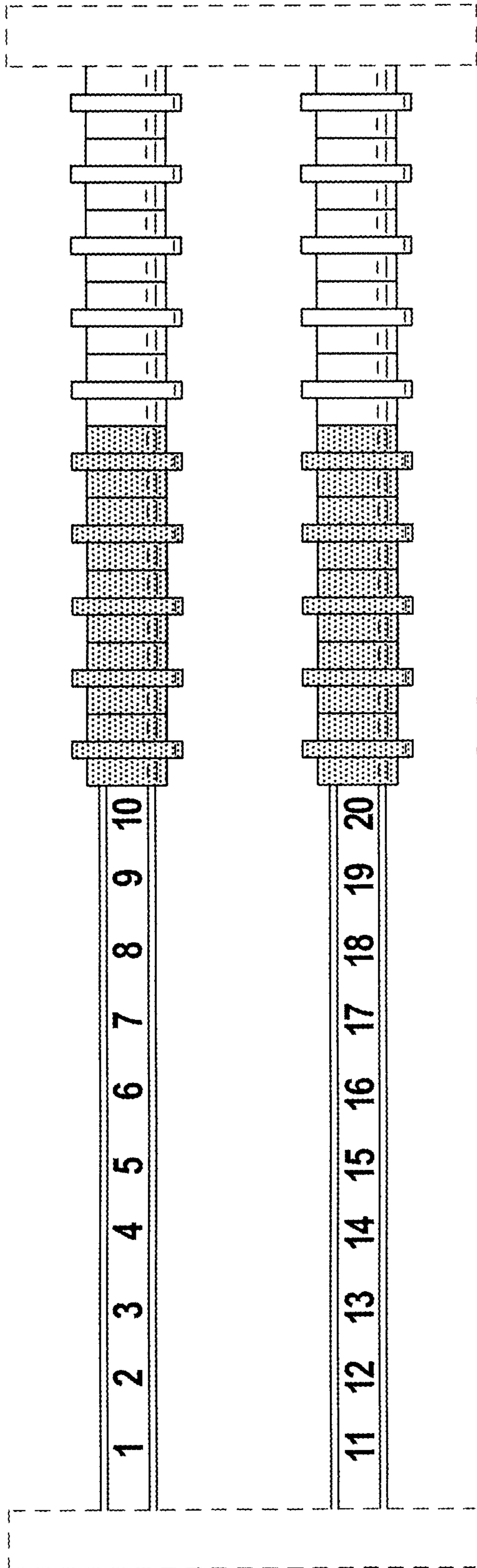


FIG. 2

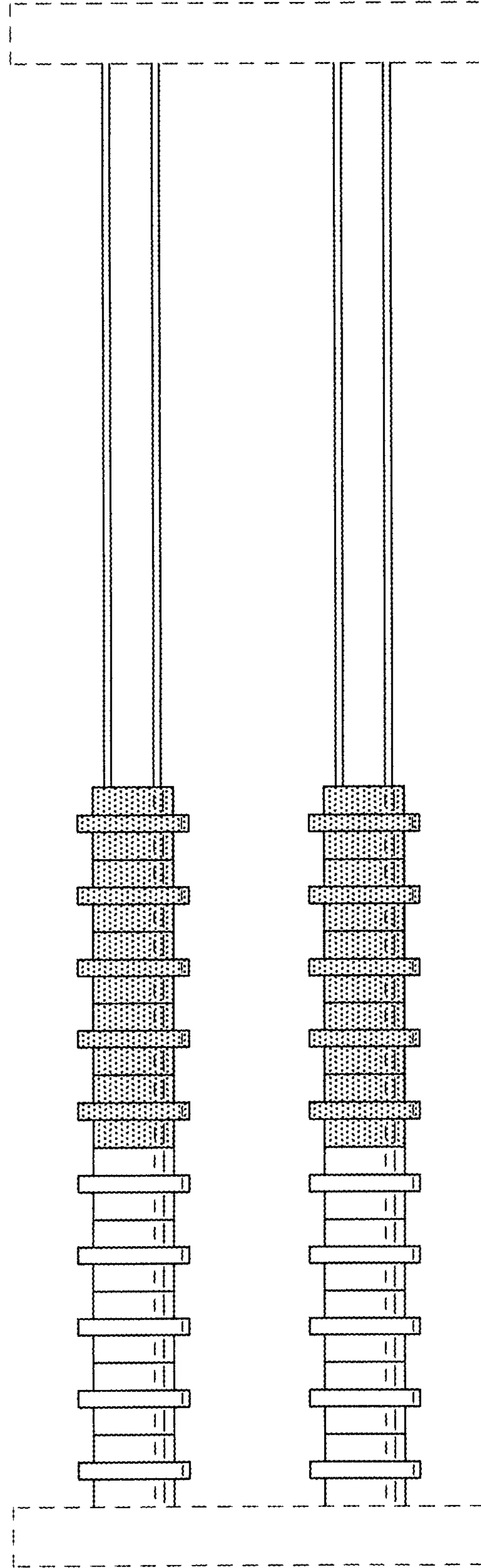


FIG. 3

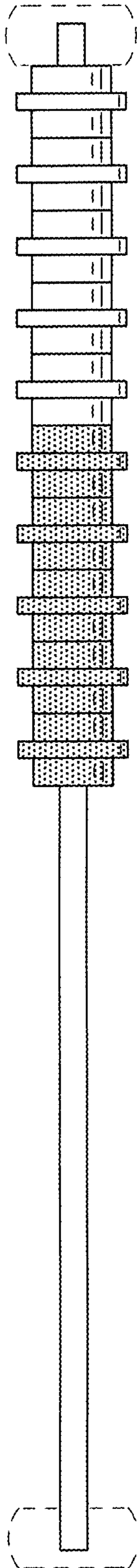


FIG. 4

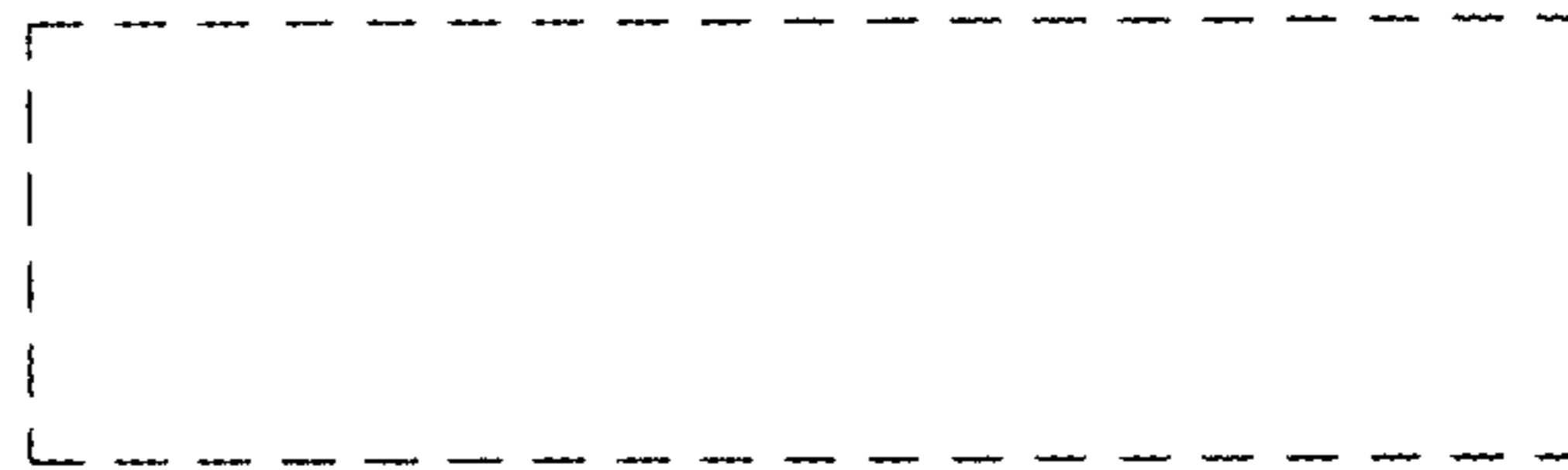


FIG. 5