

US00D921108S

(12) **United States Design Patent** (10) **Patent No.:** **US D921,108 S**
Lucio (45) **Date of Patent:** **** Jun. 1, 2021**

(54) **BOOKMARK**
(71) Applicant: **Francisco Lucio**, Muncie, IN (US)
(72) Inventor: **Francisco Lucio**, Muncie, IN (US)
(**) Term: **15 Years**
(21) Appl. No.: **29/682,225**
(22) Filed: **Mar. 4, 2019**
(51) **LOC (13) Cl.** **19-99**
(52) **U.S. Cl.**
USPC **D19/34**
(58) **Field of Classification Search**
USPC D26/1, 24, 60-62, 72, 93, 106-107, 113,
D26/118; D19/34, 102, 135
CPC B42D 9/005; F21V 21/22; F21V 23/04;
F21V 23/06; F21V 33/0048; F21W
2131/3005
See application file for complete search history.

5,695,271 A 12/1997 Zeller
5,725,192 A * 3/1998 Cloninger A47B 97/04
248/447
D397,468 S * 8/1998 Zeller D26/60
D407,517 S * 3/1999 Zeller D26/60
D423,130 S * 4/2000 Kung D26/60
D427,703 S * 7/2000 Chan D26/60
D428,177 S * 7/2000 Chan D26/60
D435,677 S * 12/2000 Hollinger D26/60
D436,202 S * 1/2001 Chen D26/60
7,163,306 B1 1/2007 Major et al.
D539,458 S * 3/2007 Cooper D26/60
D604,879 S * 11/2009 Chan D26/60
D629,946 S * 12/2010 Nelson D26/61
D636,917 S * 4/2011 Nelson D26/60
D636,918 S * 4/2011 Nelson D26/61
8,683,939 B2 * 4/2014 Spaargaren B42D 9/005
116/237
9,055,816 B2 * 6/2015 Panno, Jr. A47B 97/08
(Continued)

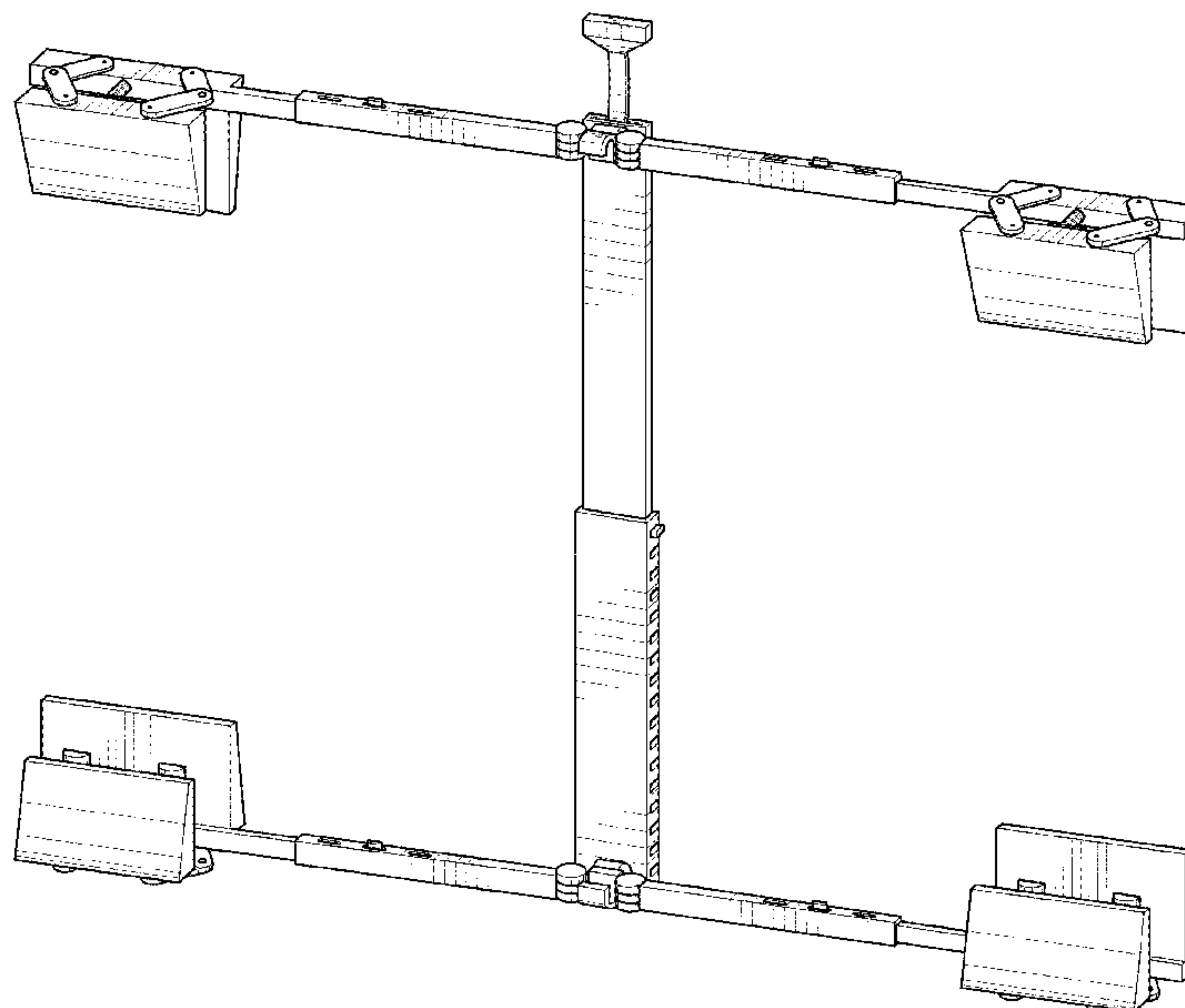
Primary Examiner — Brandon M Rosati
(74) *Attorney, Agent, or Firm* — Boudwin Intellectual
Property; Daniel Boudwin

(56) **References Cited**
U.S. PATENT DOCUMENTS
1,570,973 A * 1/1926 Simonelli A47B 23/06
248/449
2,019,581 A * 11/1935 Probst A47B 23/04
248/447
2,108,494 A * 2/1938 Lansing B42D 9/008
116/235
D269,443 S * 6/1983 Million D19/34
5,016,852 A * 5/1991 Herendeen A47B 23/02
248/447.2
5,022,342 A * 6/1991 Davis B42D 3/145
116/236
5,244,232 A * 9/1993 Dulberger B42D 3/145
116/237
5,280,416 A 1/1994 Hartley et al.
D346,400 S * 4/1994 Hartley D19/34
D358,984 S * 6/1995 Vandenbelt D19/34
5,442,528 A 8/1995 Vandenbelt

(57) **CLAIM**
The ornamental design for a bookmark, as shown and
described.

DESCRIPTION
FIG. 1 shows a perspective view of a bookmark;
FIG. 2 shows a front view of the bookmark;
FIG. 3 shows a rear view of the bookmark;
FIG. 4 shows a left side view of the bookmark;
FIG. 5 shows a right side view of the bookmark;
FIG. 6 shows a top plan view of the bookmark; and,
FIG. 7 shows a bottom plan view of the bookmark.
The shade lines in the Figures show contour and not surface
ornamentation.
The broken lines in FIG. 7 represent portions of the article
and form no part of the claimed design.

1 Claim, 5 Drawing Sheets



(56)

References Cited

U.S. PATENT DOCUMENTS

D784,580 S * 4/2017 Smith D26/60
D825,823 S * 8/2018 Ren D26/107
10,098,452 B2 * 10/2018 Ko F16M 11/38
D861,944 S * 10/2019 Wu D26/60
D870,942 S * 12/2019 Yang D26/60
10,661,592 B2 * 5/2020 Lucio F21V 21/088
D894,459 S * 8/2020 Smith D26/60
D895,185 S * 9/2020 Smith D26/60
2002/0131263 A1 * 9/2002 Naghi F21V 33/0048
362/98
2006/0072328 A1 4/2006 Chan
2007/0097666 A1 * 5/2007 Lilienfeld F21V 21/145
362/98
2009/0140119 A1 * 6/2009 To F16M 11/041
248/455

* cited by examiner

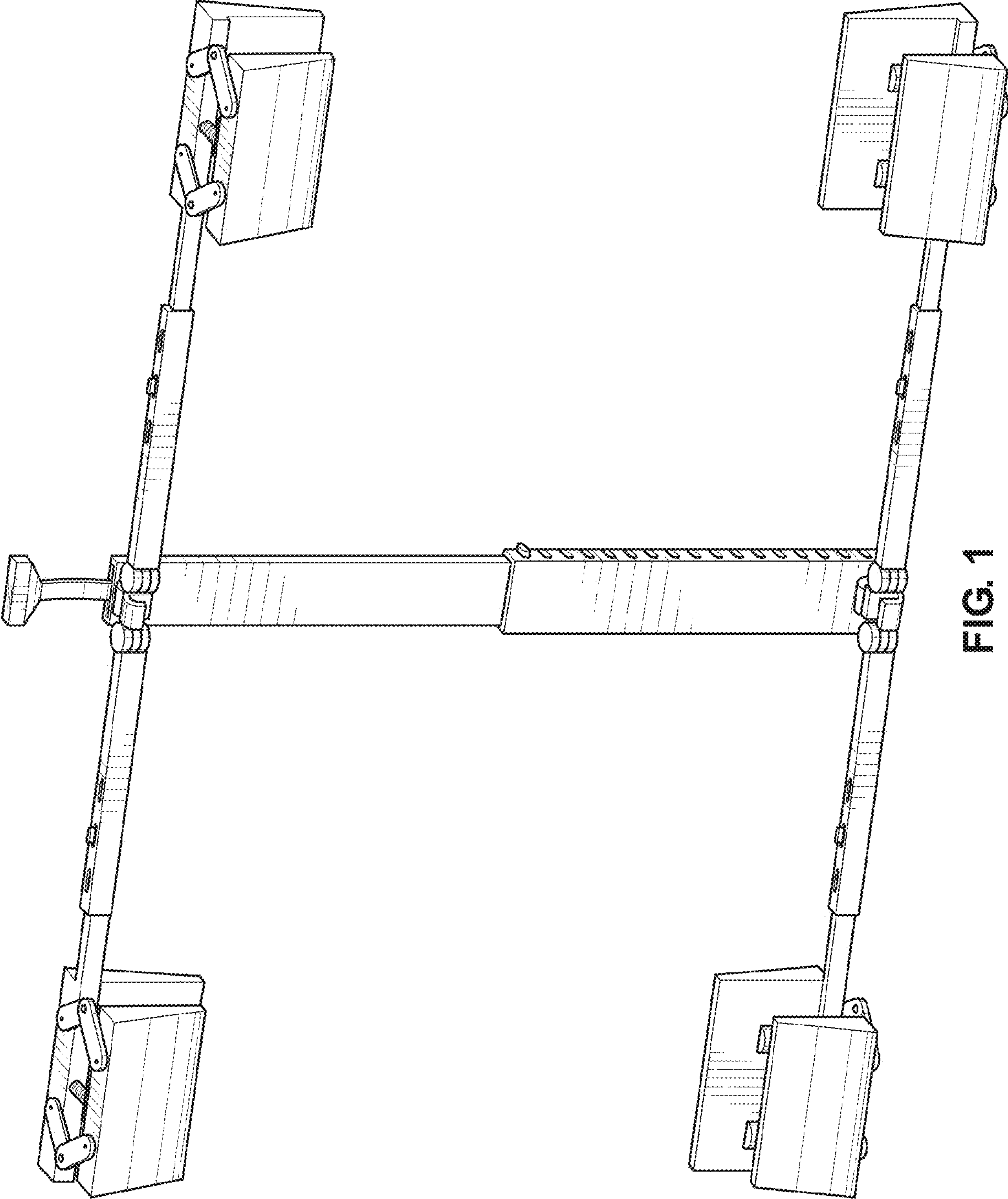


FIG. 1

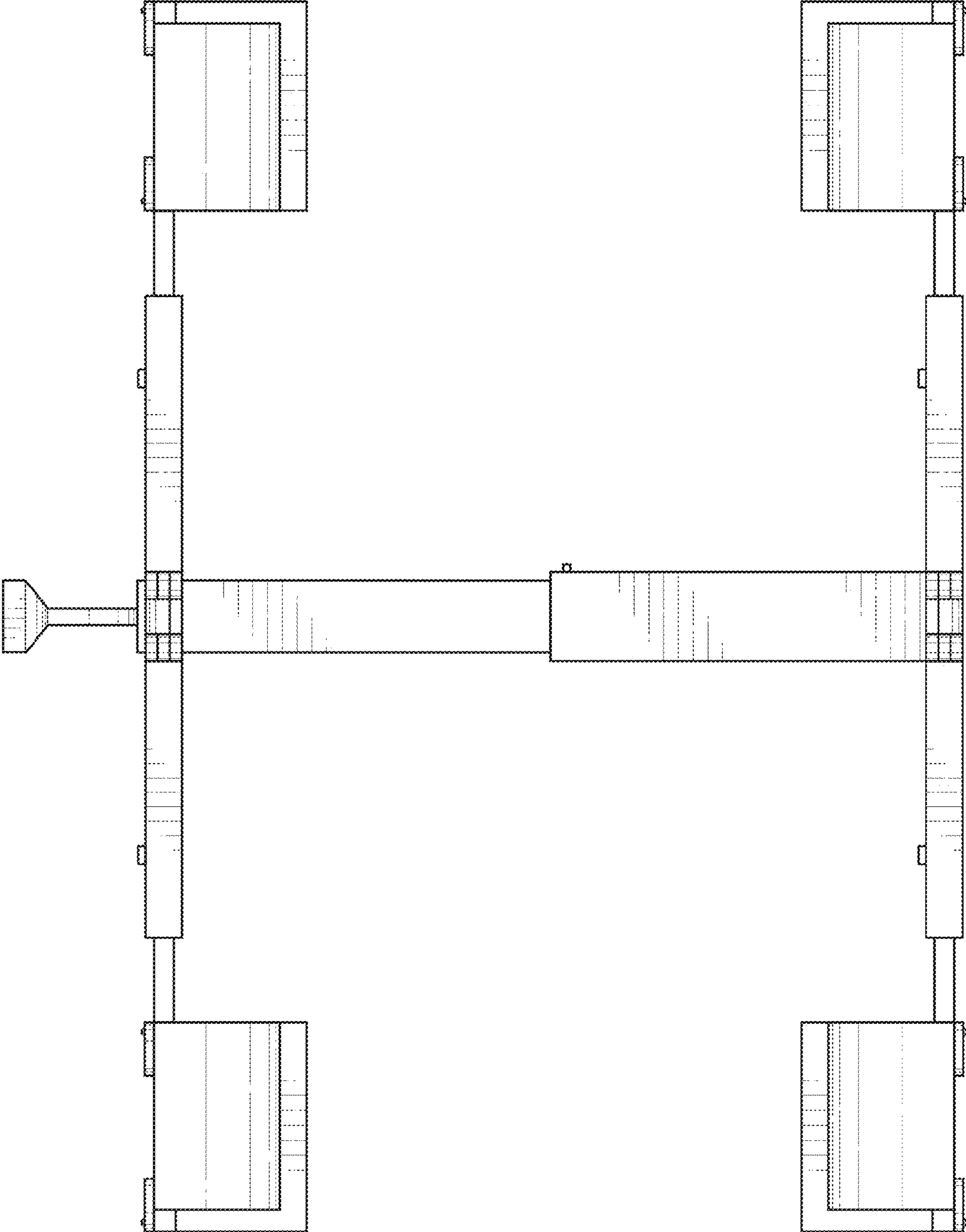


FIG. 2

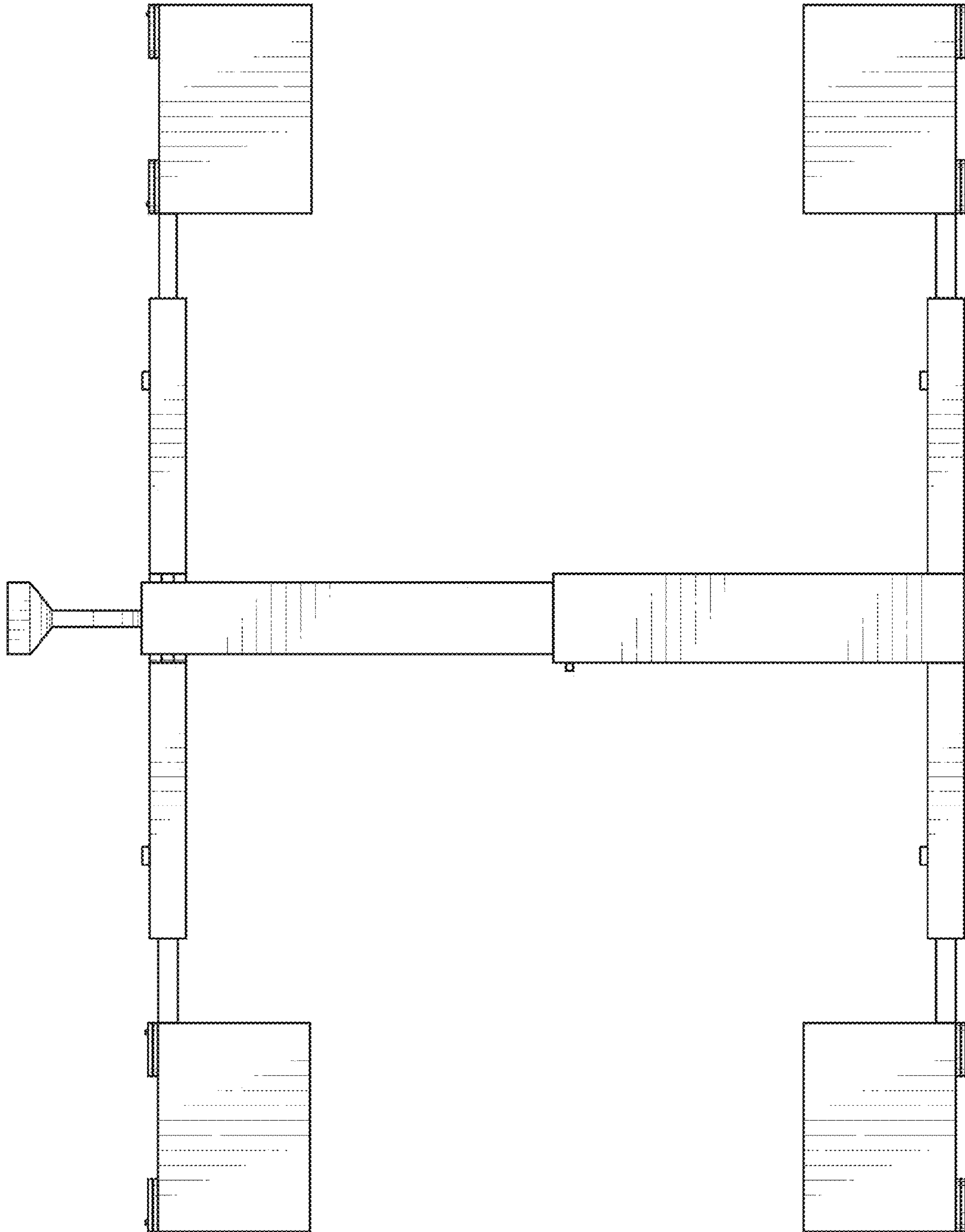


FIG. 3

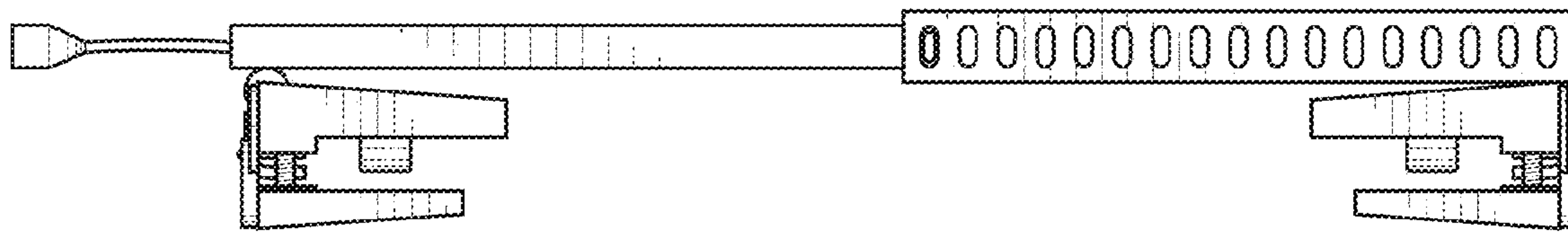


FIG. 5

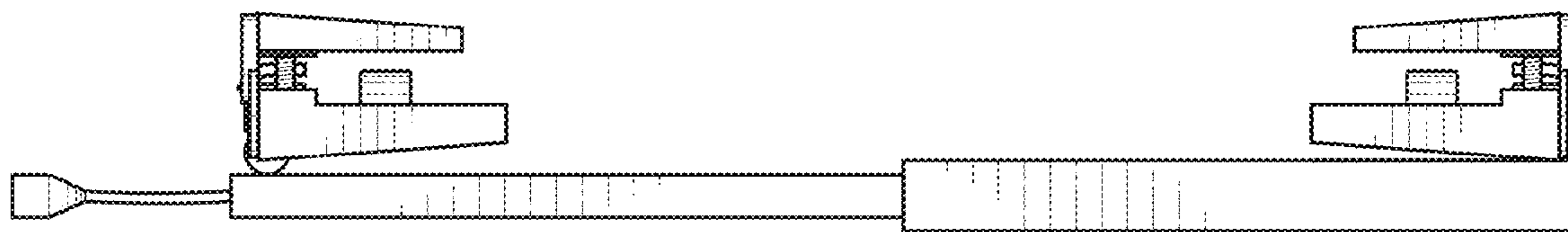


FIG. 4

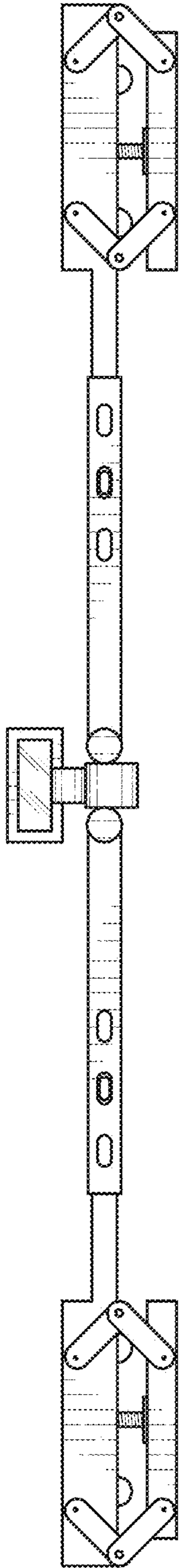


FIG. 6

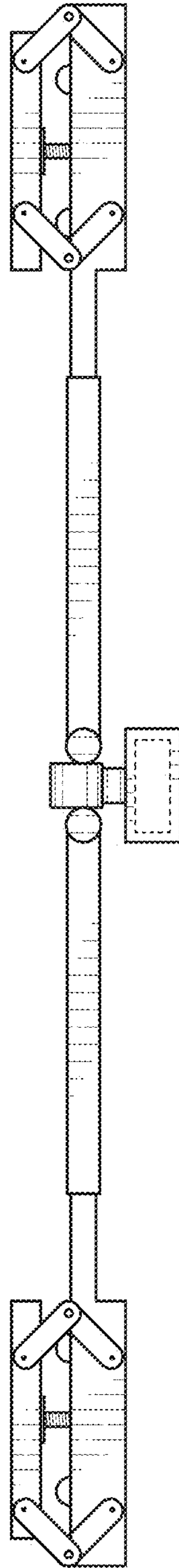


FIG. 7