

US00D921107S

(12) **United States Design Patent**
Casillas

(10) **Patent No.:** **US D921,107 S**

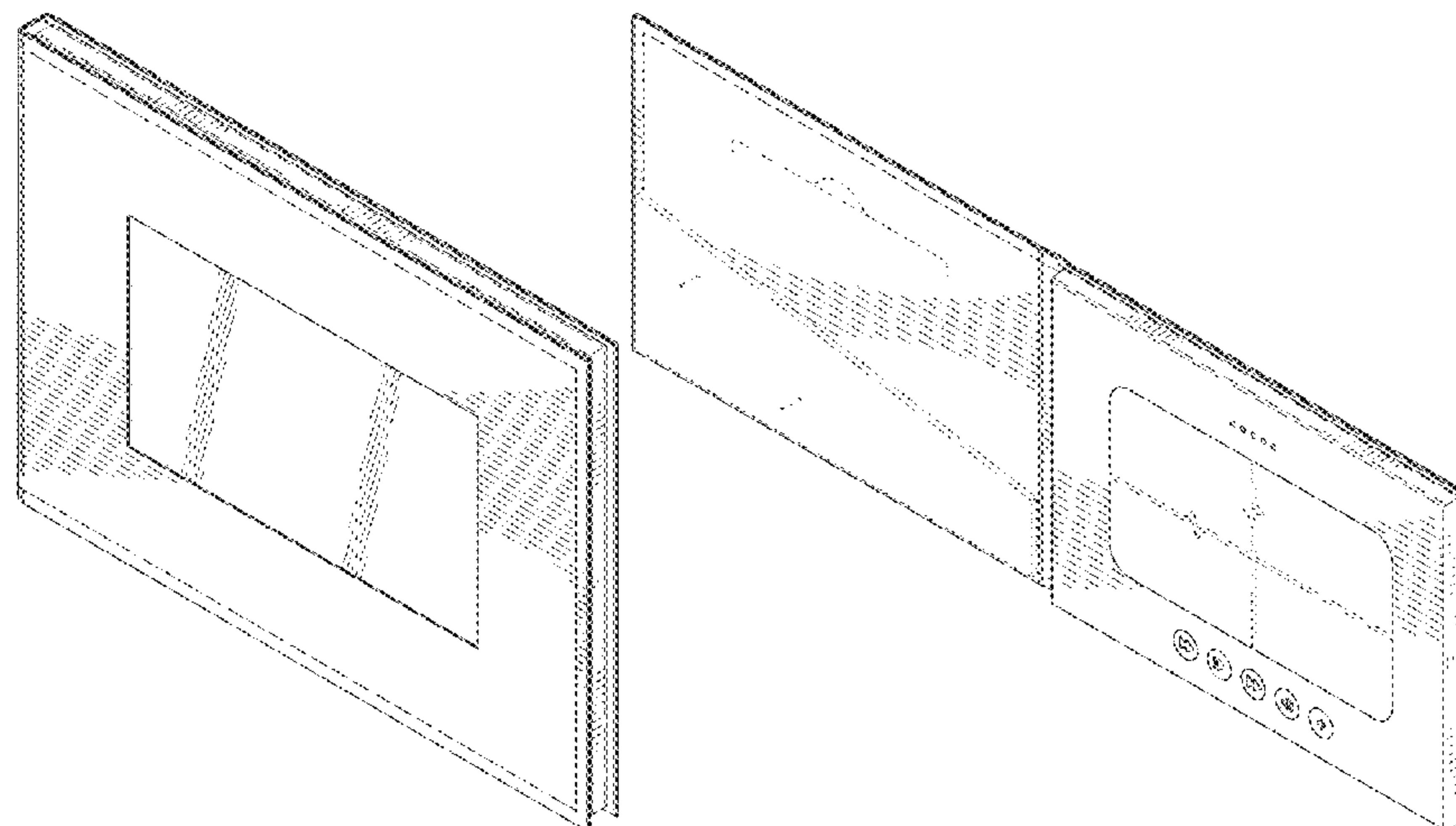
(45) **Date of Patent:** **** Jun. 1, 2021**

- (54) **VIDEO BOOK WITH COVER INSERT**
- (71) Applicant: **Formulated Lines LLC**, New Port Richey, FL (US)
- (72) Inventor: **Kristy Casillas**, New Port Richey, FL (US)
- (73) Assignee: **Formulated Lines LLC**, New Port Richey, FL (US)
- (**) Term: **15 Years**
- (21) Appl. No.: **29/685,996**
- (22) Filed: **Apr. 2, 2019**
- (51) **LOC (13) Cl.** **19-04**
- (52) **U.S. Cl.**
USPC **D19/26; D14/345; D14/129; D19/2**
- (58) **Field of Classification Search**
USPC .. D14/126, 129, 130, 132, 133, 138 G, 140, D14/142, 336, 371, 372, 374, 375, 376, D14/380, 382, 383, 448, 451, 496, 345, D14/138 AB; D20/19, 40; D19/1, 2, 26, D19/59, 60, 76, 91, 100; D9/414, 418, D9/420, 433
CPC B42D 15/022; B42D 15/04; B42D 15/042; B42D 15/047; B42D 3/00; B42D 3/12; B42D 3/123; B42D 3/18; G09B 5/06; G09B 5/062; G06F 3/147; G09F 1/04; G09F 1/12; H04N 5/772
See application file for complete search history.

D334,210 S *	3/1993	Menchetti	D19/2
D339,139 S *	9/1993	Jones	D14/130
D344,069 S *	2/1994	Marmie	D14/345
D344,455 S *	2/1994	Kornberg	D3/271.5
5,290,190 A *	3/1994	McClanahan	G09B 5/062 434/317
D354,483 S *	1/1995	Yamazaki	D14/374
D362,865 S *	10/1995	Komuta	D14/345
5,466,158 A *	11/1995	Smith, III	G09B 5/062 273/236
D365,362 S *	12/1995	Warren	D19/26
D378,686 S *	4/1997	Proctor	D14/345
5,663,748 A *	9/1997	Huffman	G06F 15/0283 345/173
D386,521 S *	11/1997	Eisenbaum	D14/345
D388,463 S *	12/1997	Sullins	D19/83
5,703,624 A *	12/1997	van Kruistum	G06T 1/00 345/169
D391,987 S *	3/1998	Jambhekar	D14/315
D397,998 S *	9/1998	Ambroe	D19/26
D399,526 S *	10/1998	Brady	D14/345
D402,310 S *	12/1998	Hendricks	D14/345
5,847,698 A *	12/1998	Reavey	G06F 15/0283 345/173
D410,028 S *	5/1999	Fyffe	D14/345
D413,889 S *	9/1999	Nakano	D14/167
D418,503 S *	1/2000	Amron	D14/203.7
D418,829 S *	1/2000	Amron	D14/203.7
D419,986 S *	2/2000	Amron	D14/203.7
D419,987 S *	2/2000	Amron	D14/496
D420,662 S *	2/2000	Amron	D14/203.7
D421,980 S *	3/2000	Amron	D14/496
D425,558 S *	5/2000	Tarpenning	D14/336
D425,885 S *	5/2000	Amron	D14/203.7
D428,004 S *	7/2000	Colvin	D14/345
D428,018 S *	7/2000	Amron	D14/203.7
D428,019 S *	7/2000	Amron	D14/203.7
D429,712 S *	8/2000	Afshar-Ghochani	D14/142
D429,761 S *	8/2000	Ward	D19/26
D430,117 S *	8/2000	Sachs	D14/327
D431,731 S *	10/2000	Schwab	D3/201
D434,400 S *	11/2000	Rosen	D14/132
D436,100 S *	1/2001	Taylor	D14/226
D437,593 S *	2/2001	Keeler	D14/336
D437,612 S *	2/2001	Verdicchio	D19/26
6,201,878 B1 *	3/2001	Azima	B42D 15/022 181/142
D445,787 S *	7/2001	Francis	D14/345
D446,809 S *	8/2001	Parker	D19/26
D448,763 S *	10/2001	Ikenaga	D14/345
D449,606 S *	10/2001	Lee	D14/345
D454,870 S *	3/2002	Lee	D14/341

(56) **References Cited**
U.S. PATENT DOCUMENTS

D271,726 S *	12/1983	Drake	D19/26
4,636,881 A *	1/1987	Brefka	G09B 5/062 360/12
D313,044 S *	12/1990	Spak	D19/26
D318,859 S *	8/1991	Hollis	D14/345
D321,175 S *	10/1991	Tsuchiya	D19/60
D326,446 S *	5/1992	Wong	D14/345
5,167,508 A *	12/1992	Mc Taggart	G09B 5/062 434/317



6,437,974 B1 * 8/2002 Liu G09F 9/35
 248/917
 D466,115 S * 11/2002 Hawkins D14/341
 D468,349 S * 1/2003 Scott D19/26
 6,525,706 B1 * 2/2003 Rehkemper G09B 5/06
 345/87
 6,646,672 B2 * 11/2003 Feierbach G06F 1/1616
 348/14.01
 D487,481 S * 3/2004 Harris D19/26
 D489,367 S * 5/2004 Lynch D14/345
 D490,807 S * 6/2004 Murata D14/345
 D491,942 S * 6/2004 Takahashi D14/345
 D494,968 S * 8/2004 Yonekawa D14/345
 D495,693 S * 9/2004 Yonekawa D14/345
 D499,095 S * 11/2004 Balarezo D14/345
 D500,316 S * 12/2004 Lynch D14/345
 D507,567 S * 7/2005 Yonekawa D14/345
 D517,545 S * 3/2006 Buckel D14/345
 D523,853 S * 6/2006 Ishikawa D14/345
 D545,359 S * 6/2007 Bramhall D19/1
 D547,372 S * 7/2007 Bharna D19/26
 D549,283 S * 8/2007 Bharna D19/27
 D580,432 S * 11/2008 Yun D14/345
 D582,661 S * 12/2008 Katsof D3/201
 D589,014 S * 3/2009 Zhan D14/132
 D604,730 S * 11/2009 Shih D14/345
 D616,929 S * 6/2010 Krivanek D19/1
 D618,683 S * 6/2010 Wilson D14/371
 D622,513 S * 8/2010 Tang D14/371
 D628,569 S * 12/2010 Guo D14/341
 D629,458 S * 12/2010 Clegg D19/1
 D629,459 S * 12/2010 Clegg D19/1
 D629,798 S * 12/2010 Arie D14/341
 D629,843 S * 12/2010 Tartarone D19/26
 D631,471 S * 1/2011 Jensen D14/315
 D632,330 S * 2/2011 Qiao D19/1
 D632,734 S * 2/2011 Qiao D19/1
 D638,833 S * 5/2011 Chuang D14/345
 D642,611 S * 8/2011 Clegg D19/1
 D643,060 S * 8/2011 Clegg D19/1
 D646,659 S * 10/2011 Liberatore D14/132
 D647,559 S * 10/2011 Clegg D19/1
 D647,560 S * 10/2011 Naimi D19/26
 D649,588 S * 11/2011 Clegg D19/1
 D649,589 S * 11/2011 Clegg D19/1
 D651,616 S * 1/2012 Kain D14/496
 D654,113 S * 2/2012 Clegg D19/1
 D655,750 S * 3/2012 Clegg D19/1
 D655,751 S * 3/2012 Sato D19/26
 D657,417 S * 4/2012 Naimi D19/26
 D659,754 S * 5/2012 Rossiter D19/1
 D660,909 S * 5/2012 Clegg D19/1
 D661,348 S * 6/2012 Mayer D19/1
 D661,732 S * 6/2012 Clegg D19/1
 D669,480 S * 10/2012 Piedra D14/440
 D671,114 S * 11/2012 Akana D14/341
 D680,067 S * 4/2013 Nomi D13/108
 D681,054 S * 4/2013 Koh D14/496
 D684,626 S * 6/2013 Lam D19/26
 D685,341 S * 7/2013 Cetera D14/203.4
 D685,342 S * 7/2013 Cetera D14/203.4
 D690,275 S * 9/2013 Seidl D13/162
 D691,653 S * 10/2013 Benadon D19/26
 D699,181 S * 2/2014 Hung D13/108
 D719,717 S * 12/2014 Schweitzer D1/121
 D720,005 S * 12/2014 Cofone D19/26
 D748,629 S * 2/2016 Brown D14/383
 D749,055 S * 2/2016 Lee D14/204
 D762,262 S * 7/2016 Richardson D19/1
 D765,779 S * 9/2016 Deckerd D19/1
 D770,448 S * 11/2016 Endo D14/371
 9,491,876 B2 * 11/2016 Weber G06F 1/1616
 D780,844 S * 3/2017 Frommelt D19/26
 D790,007 S * 6/2017 Knight D19/1
 D802,661 S * 11/2017 Salatandre D19/2
 D809,470 S * 2/2018 Dancsecs D14/132
 D809,471 S * 2/2018 Dancsecs D14/132
 D813,312 S * 3/2018 Mahbubani D20/40
 D822,106 S * 7/2018 Mahbubani D19/1

D822,658 S * 7/2018 Okuley D14/345
 D850,440 S * 6/2019 Gentle D14/336
 D859,400 S * 9/2019 Konishi D14/345
 D862,456 S * 10/2019 Nishizawa D14/341
 D882,392 S * 4/2020 Haines D9/420
 D886,820 S * 6/2020 Nishizawa D14/345
 D887,415 S * 6/2020 Claudepierre D14/440
 D893,609 S * 8/2020 Schiumarini D19/26
 2002/0054073 A1 * 5/2002 Yuen G06F 16/685
 715/727
 2005/0186547 A1 * 8/2005 Yang G09B 5/062
 434/308
 2005/0271354 A1 * 12/2005 Yeh H04N 5/772
 386/219
 2006/0134591 A1 * 6/2006 Karat B42D 15/022
 434/308
 2008/0289230 A1 * 11/2008 Mandelbaum B42D 15/022
 40/124.01
 2009/0211126 A1 * 8/2009 Oh G09F 1/04
 40/124.03
 2011/0066945 A1 * 3/2011 Lee H04N 5/772
 715/719
 2011/0214319 A1 * 9/2011 Hsu G09F 1/04
 40/124.09
 2011/0244438 A1 * 10/2011 Legrand G09B 5/062
 434/317
 2014/0041264 A1 * 2/2014 Chambers B42D 15/022
 40/124.06
 2017/0297360 A1 * 10/2017 Milon B42D 15/022

* cited by examiner

Primary Examiner — Marie D. Fast Horse
 (74) *Attorney, Agent, or Firm* — Larson & Larson, P.A.;
 Frank Liebenow; Justin P. Miller

(57) **CLAIM**

The ornamental design for a video book with cover insert, as shown and described.

DESCRIPTION

FIG. 1 is a perspective view of a video book with cover insert showing my new design in a closed configuration; FIG. 2 is a front elevation view thereof in the closed configuration; FIG. 3 is a rear elevation view thereof in the closed configuration; FIG. 4 is a right side elevational view thereof in the closed configuration; FIG. 5 is a left side elevational view thereof in the closed configuration; FIG. 6 is a bottom plan view thereof in the closed configuration; FIG. 7 is a top plan view thereof in the closed configuration; FIG. 8 is an inside perspective view thereof in an open configuration; FIG. 9 is an inside front elevation view thereof in the open configuration; FIG. 10 is a rear elevation view thereof in the open configuration; FIG. 11 is a right side elevational view thereof in the open configuration; FIG. 12 is a left side elevational view thereof in the open configuration; FIG. 13 is a bottom plan view thereof in the open configuration; FIG. 14 is a top plan view thereof in the open configuration;

FIG. **15** is an inside perspective view of a second embodiment of my claimed design in the open configuration the difference consisting of disclaiming the video controls and speaker holes;

FIG. **16** is an inside front elevation view thereof in the open configuration;

FIG. **17** is a rear elevation view thereof in the open configuration;

FIG. **18** is a right side elevational view thereof in the open configuration;

FIG. **19** is a left side elevational view thereof in the open configuration;

FIG. **20** is a bottom plan view thereof in the open configuration; and,

FIG. **21** is a top plan view thereof in the open configuration. The folio video book with cover insert shows a rounded corner rectangular interior display with symbolic breaks in its height and width. The appearance of any portion of the article in between these broken lines, including the broken lines themselves, forms no part of the claimed design. All other broken lines depict portions of the folio video book with cover insert that form no part of the claimed design.

1 Claim, 15 Drawing Sheets

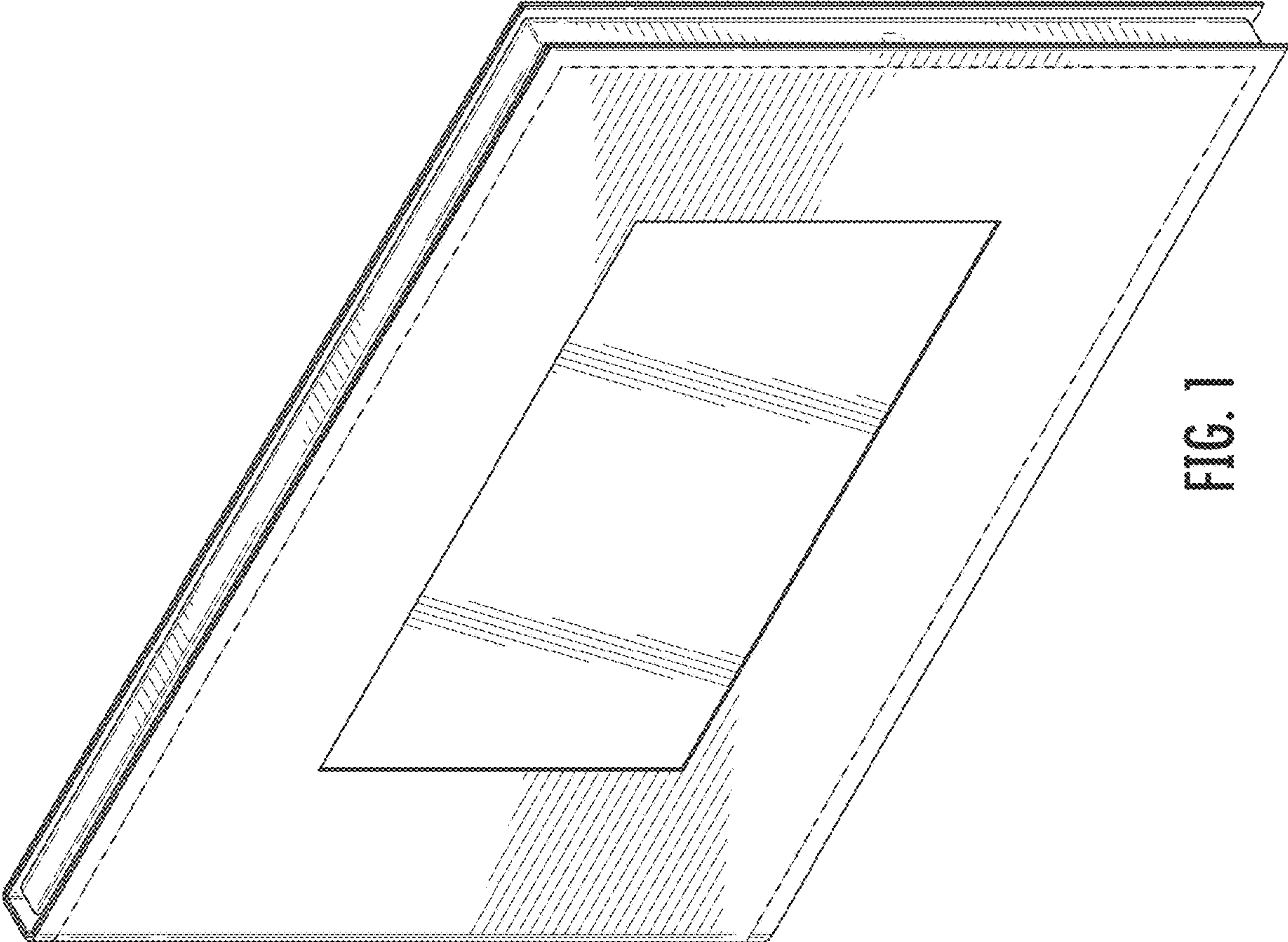


FIG. 1

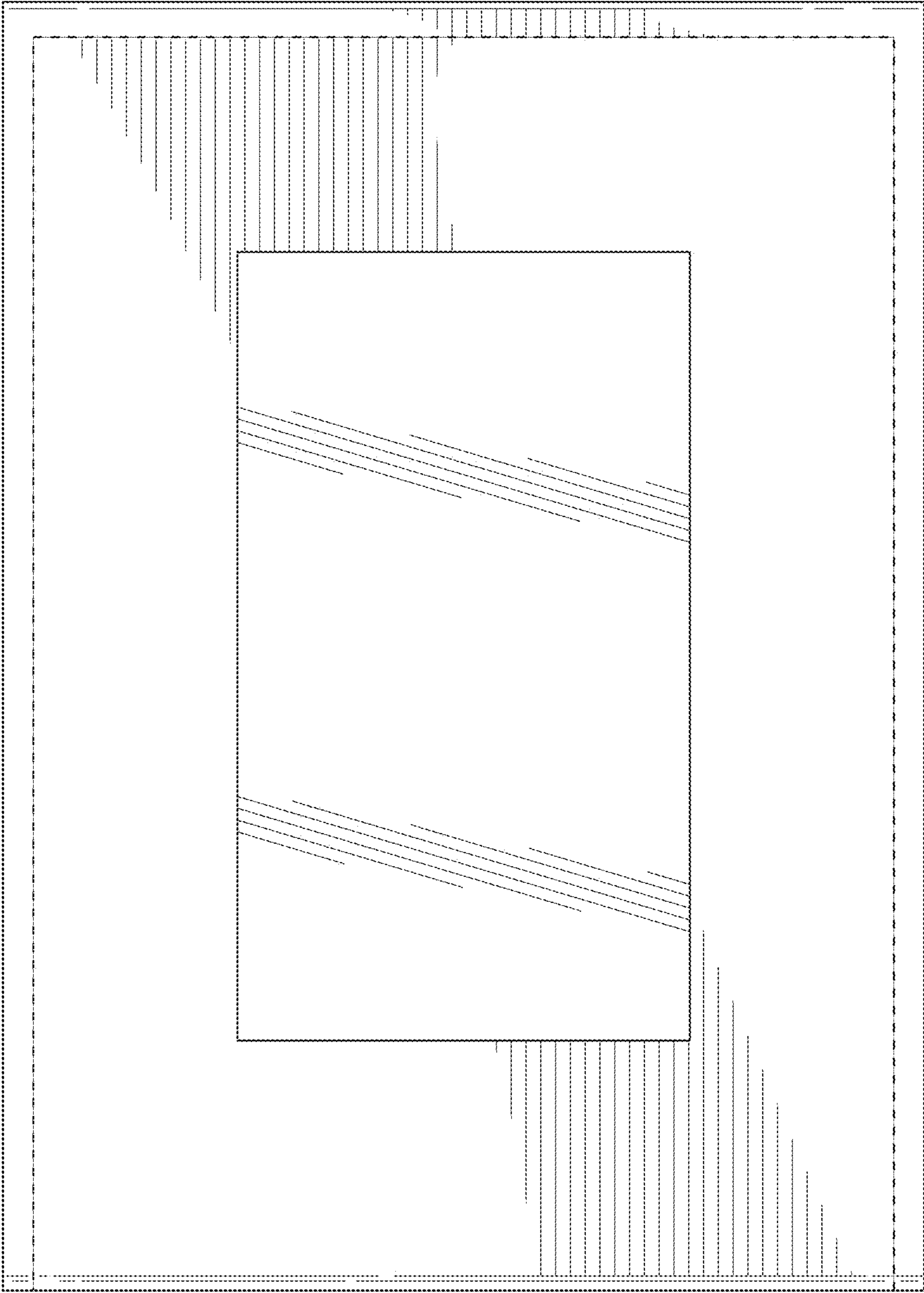


FIG. 2

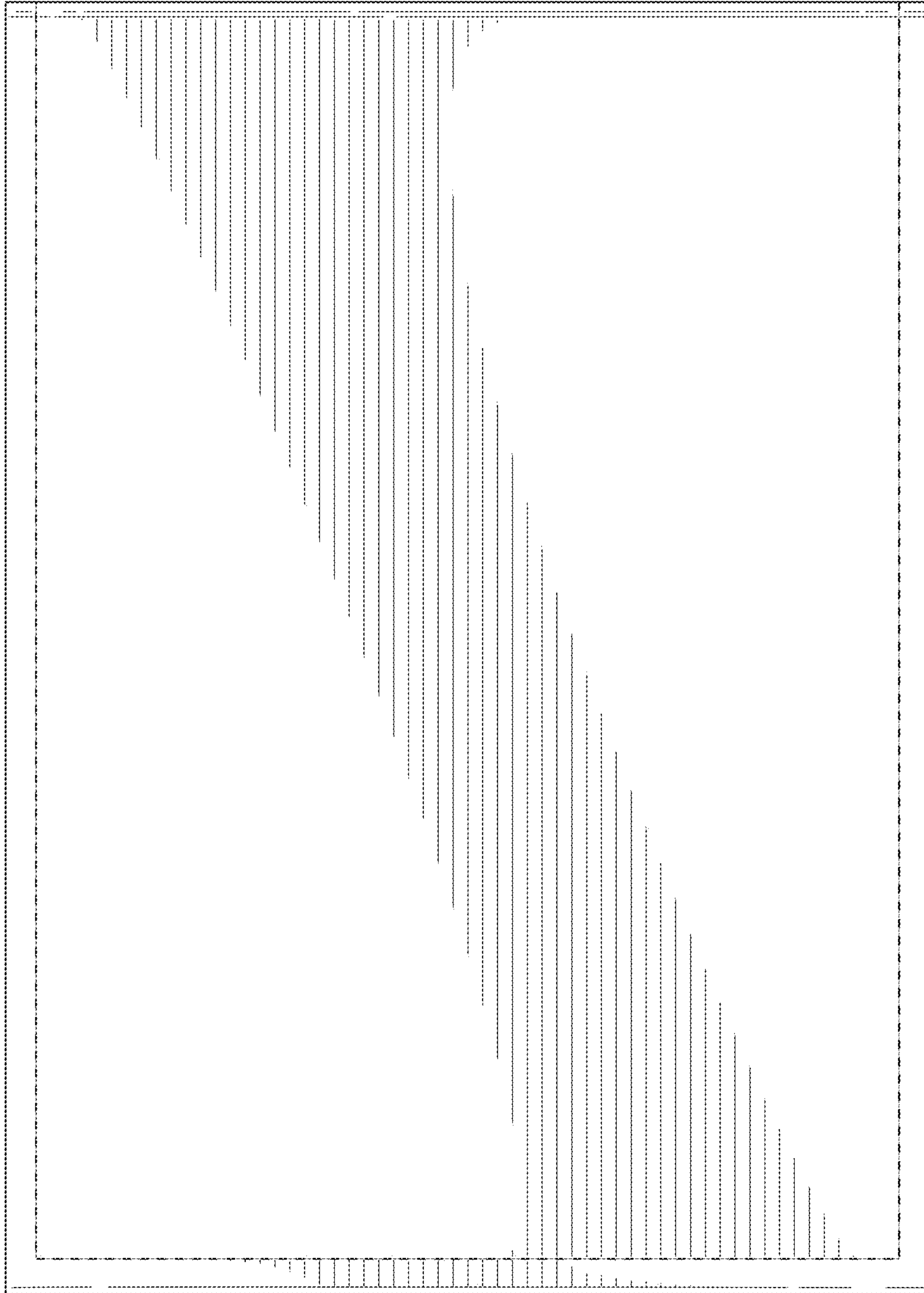


FIG. 3

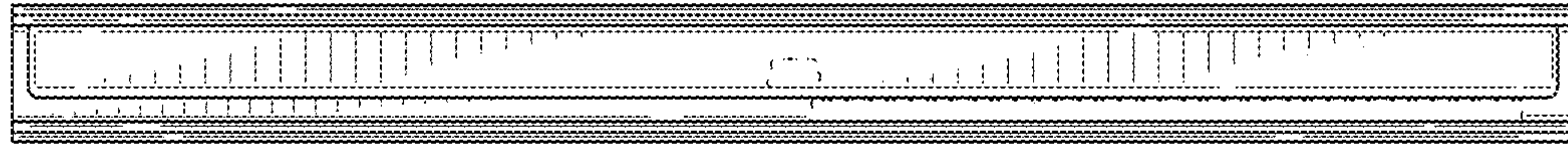


FIG. 5



FIG. 4

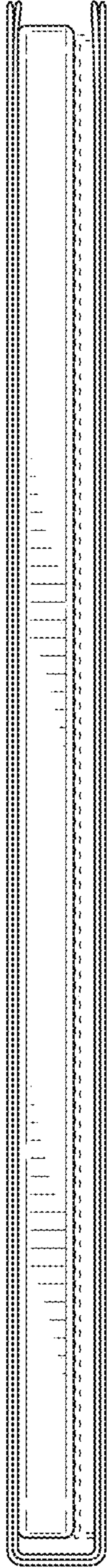


FIG. 6

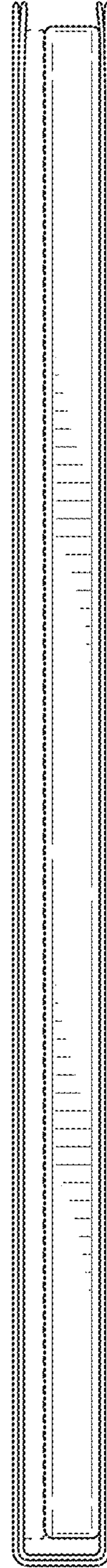


FIG. 7

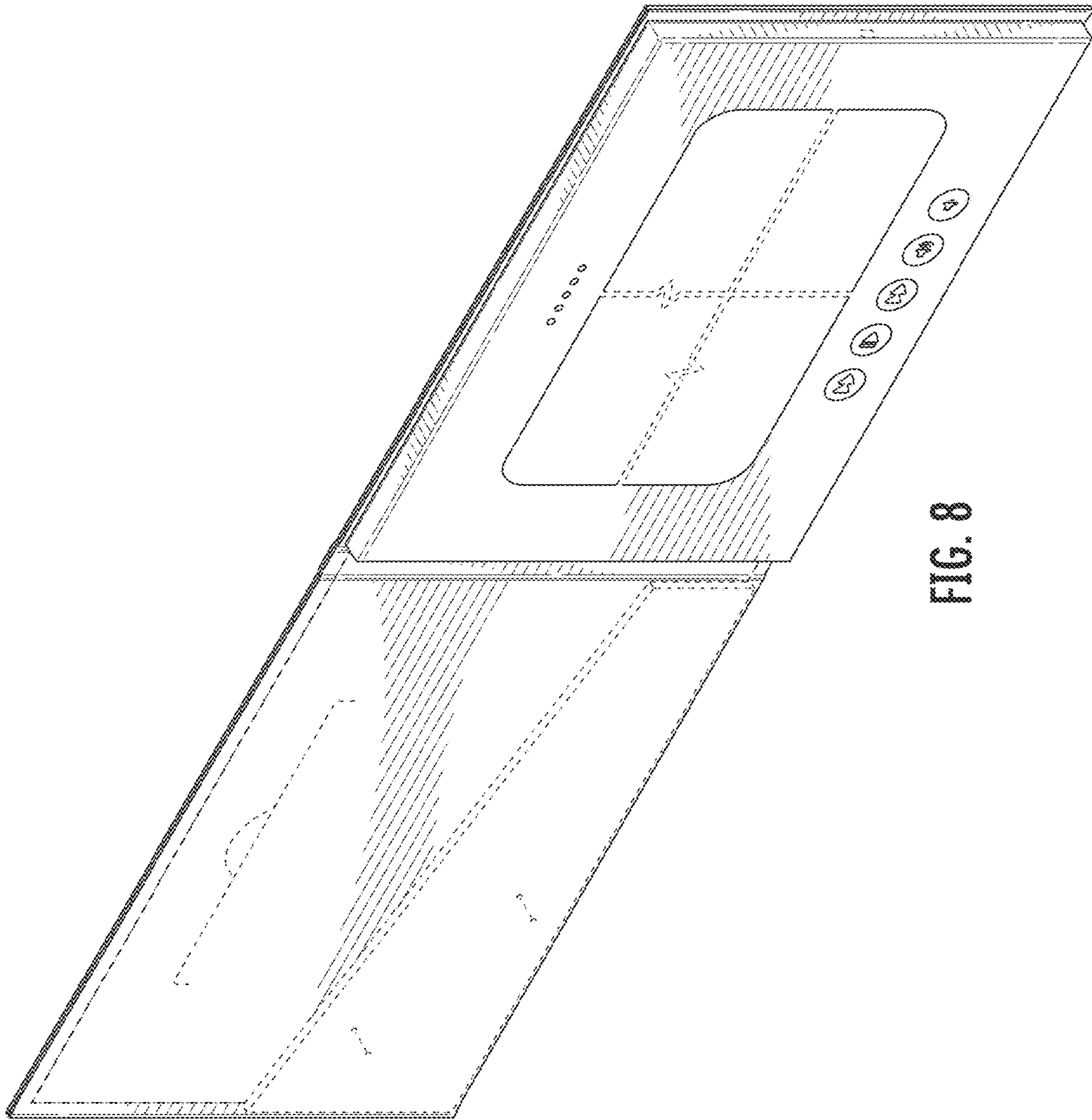


FIG. 8

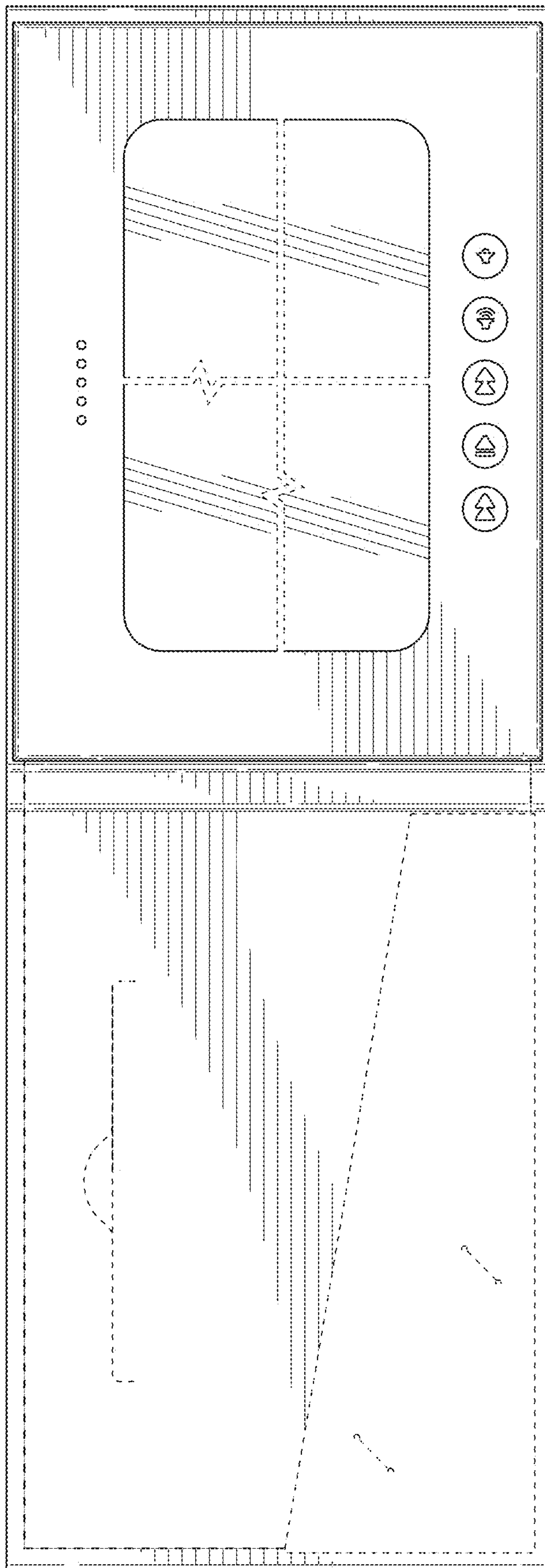


FIG. 9

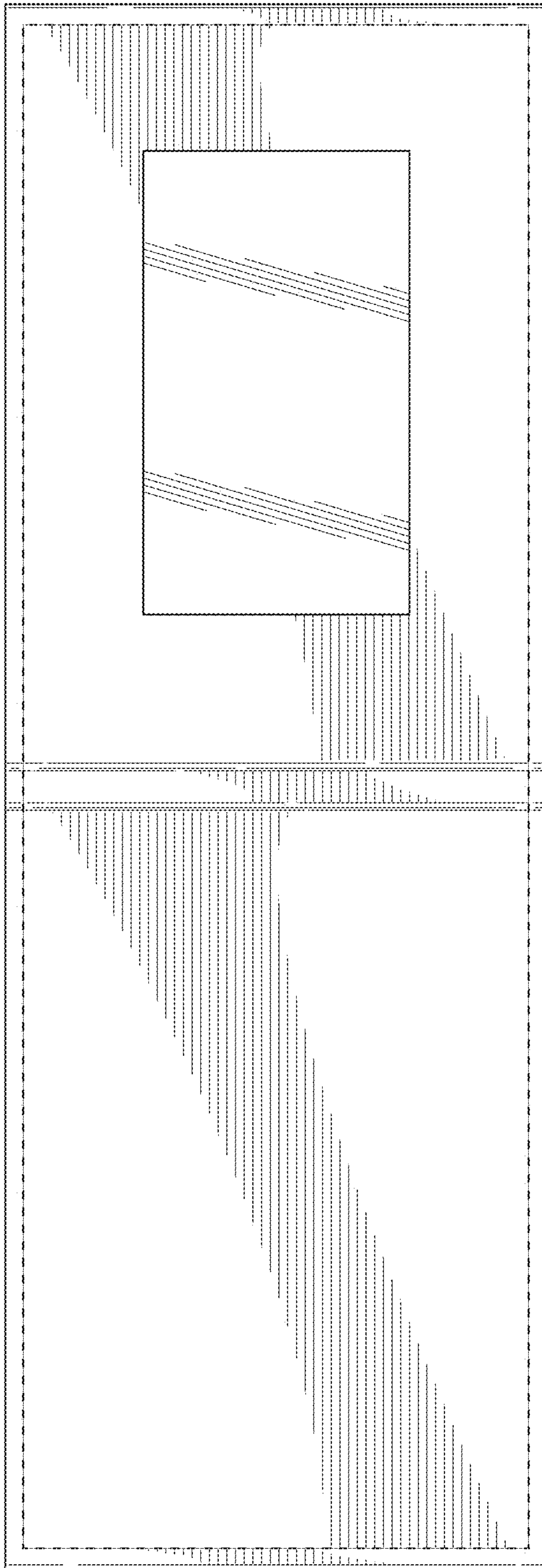


FIG. 10

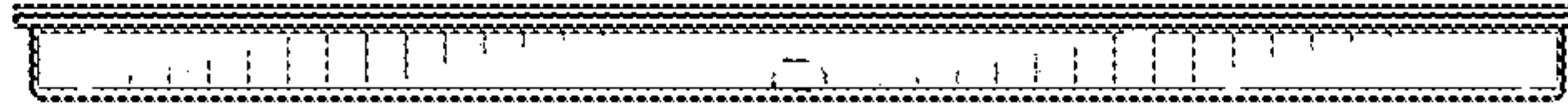


FIG. 12

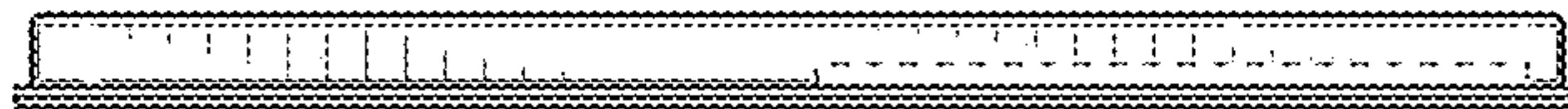


FIG. 11

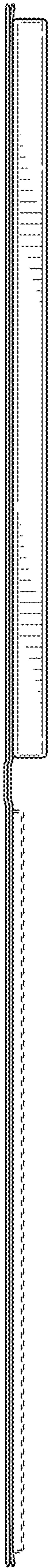


FIG. 13



FIG. 14

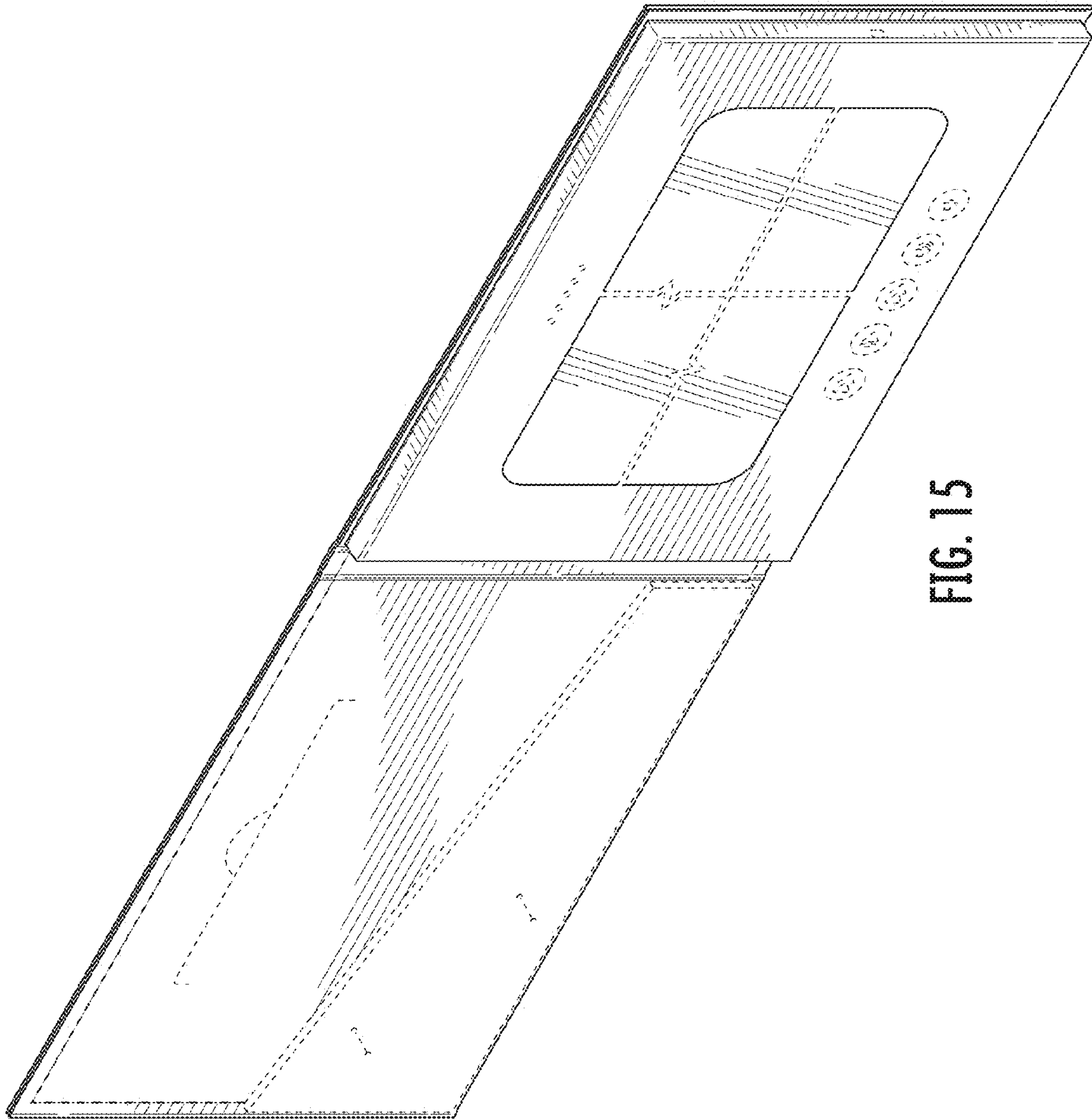


FIG. 15

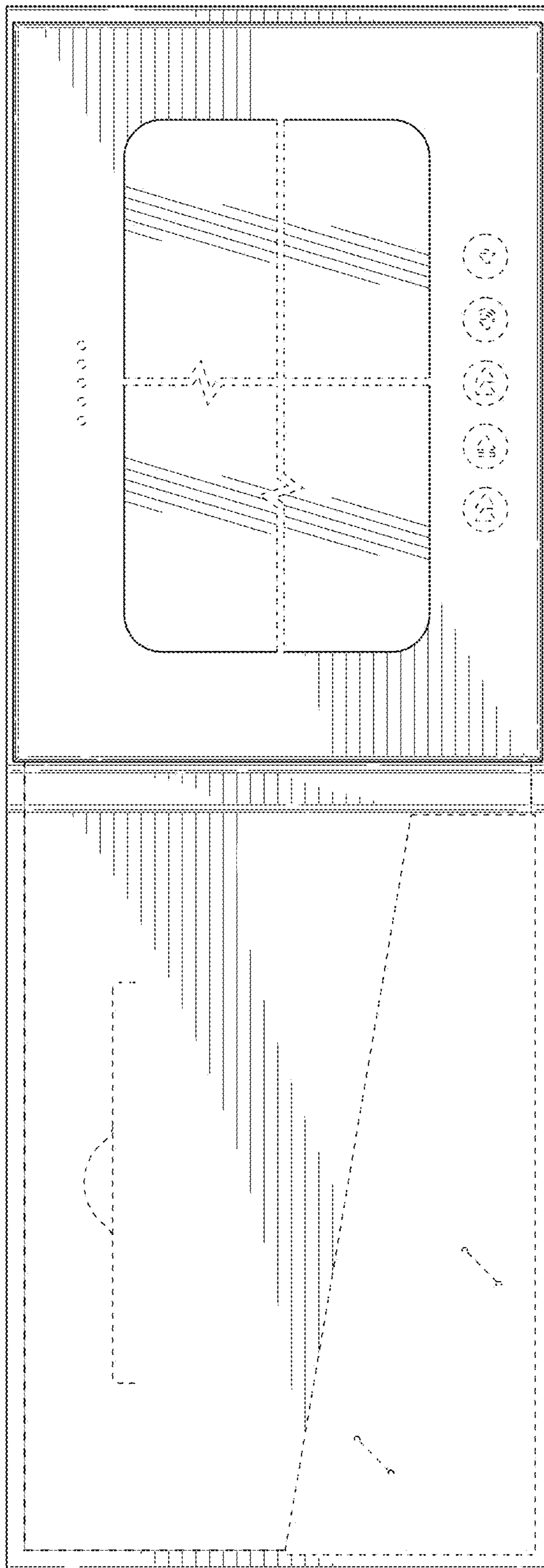


FIG. 16

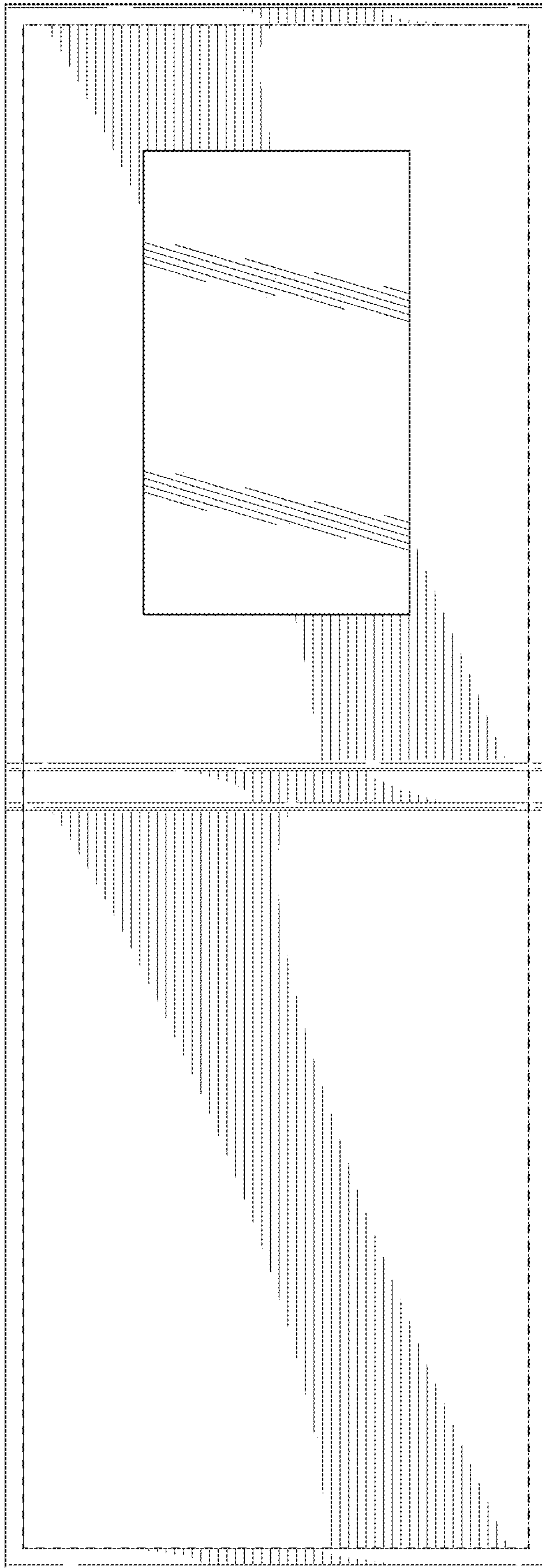


FIG. 17

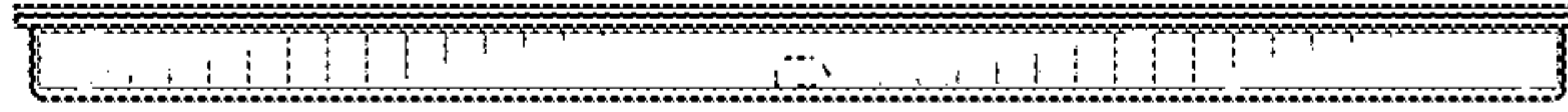


FIG. 19

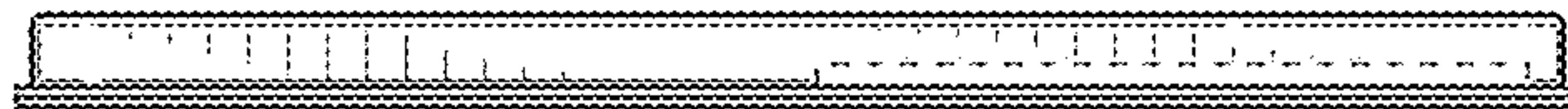


FIG. 18

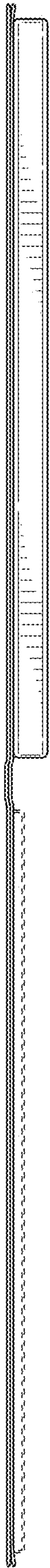


FIG. 20



FIG. 21