



US00D921103S

(12) **United States Design Patent**
Lee et al.

(10) **Patent No.:** **US D921,103 S**

(45) **Date of Patent:** **** Jun. 1, 2021**

(54) **CARD PAYMENT TERMINAL**

(71) Applicant: **BLUEBIRD INC.**, Seoul (KR)

(72) Inventors: **Jang Won Lee**, Seoul (KR); **Jung Sik Park**, Gwangju-si (KR); **Jung Hoon Choi**, Seoul (KR)

(73) Assignee: **BLUEBIRD INC.**

(**) Term: **15 Years**

(21) Appl. No.: **29/701,526**

(22) Filed: **Aug. 12, 2019**

(30) **Foreign Application Priority Data**

Feb. 11, 2019 (KR) 30-2019-0006000

(51) **LOC (13) Cl.** **18-01**

(52) **U.S. Cl.**
USPC **D18/4.6; D14/385**

(58) **Field of Classification Search**
USPC D18/4.4, 4.5, 4.6, 2, 11, 50, 14, 19-21,
D18/54, 54.1, 99; D10/46, 61, 62, 70,
D10/104.1, 104.2, 106.2, 106.6, 65, 66;
D20/1, 8, 9; D14/496, 299, 338, 339,
D14/341, 346, 383, 385, 386, 440, 507,
D14/137, 138 R, 138 AA, 138 G, 387,
D14/399, 336, 371, 125, 129, 216;
D99/28, 43
CPC H04W 8/22; H04W 52/0225; H04W
52/0254; G06Q 20/00; G06Q 20/08;
G06Q 20/20; G06Q 20/204; G07F
7/0873; G07F 7/088; G07F 7/0886; G07F
7/0893; G07F 7/025
See application file for complete search history.

(56) **References Cited**

U.S. PATENT DOCUMENTS

D320,018 S * 9/1991 Bakanowsky, III D14/172
D393,835 S * 4/1998 Ohki D14/385

D408,418 S * 4/1999 Pescetto D14/253
D467,584 S * 12/2002 Sabella D14/385
D477,322 S * 7/2003 Chien D14/385
D522,512 S * 6/2006 Little D14/385
D544,486 S * 6/2007 Hussaini D14/434
D544,487 S * 6/2007 Hussaini D14/434
D576,623 S * 9/2008 Leung D14/385
D578,122 S * 10/2008 Leung D14/385
D580,438 S * 11/2008 Kuchler D14/385
D580,935 S * 11/2008 Leung D14/385
D584,732 S * 1/2009 Cho D14/496
D587,695 S * 3/2009 Leng D14/240
D594,865 S * 6/2009 Fahrendorff D14/385
D619,140 S * 7/2010 Sin D14/480.6
D653,664 S * 2/2012 Turnbull D14/385

(Continued)

Primary Examiner — Marie D. Fast Horse

(74) *Attorney, Agent, or Firm* — Renaissance IP Law Group LLP

(57) **CLAIM**

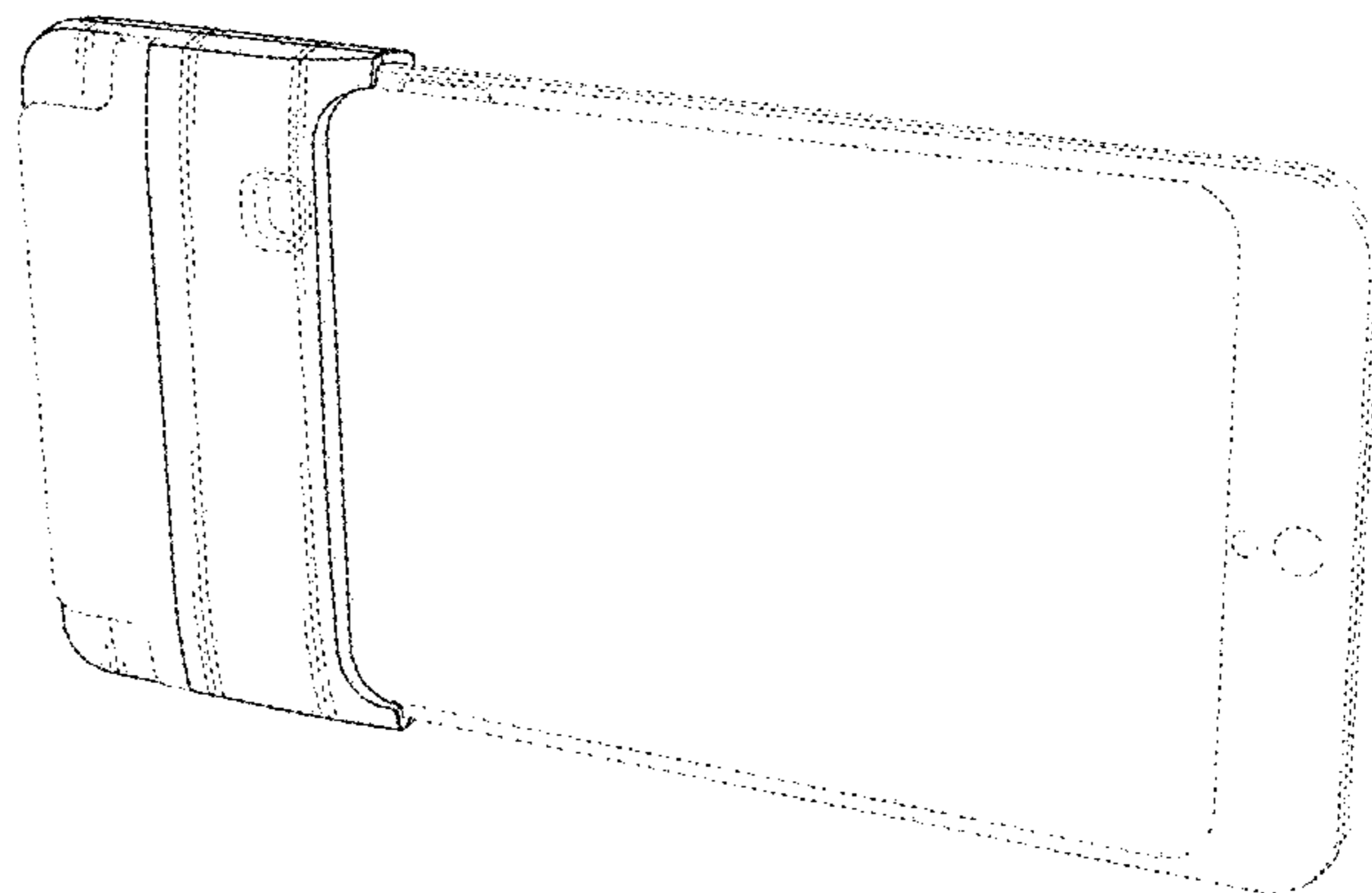
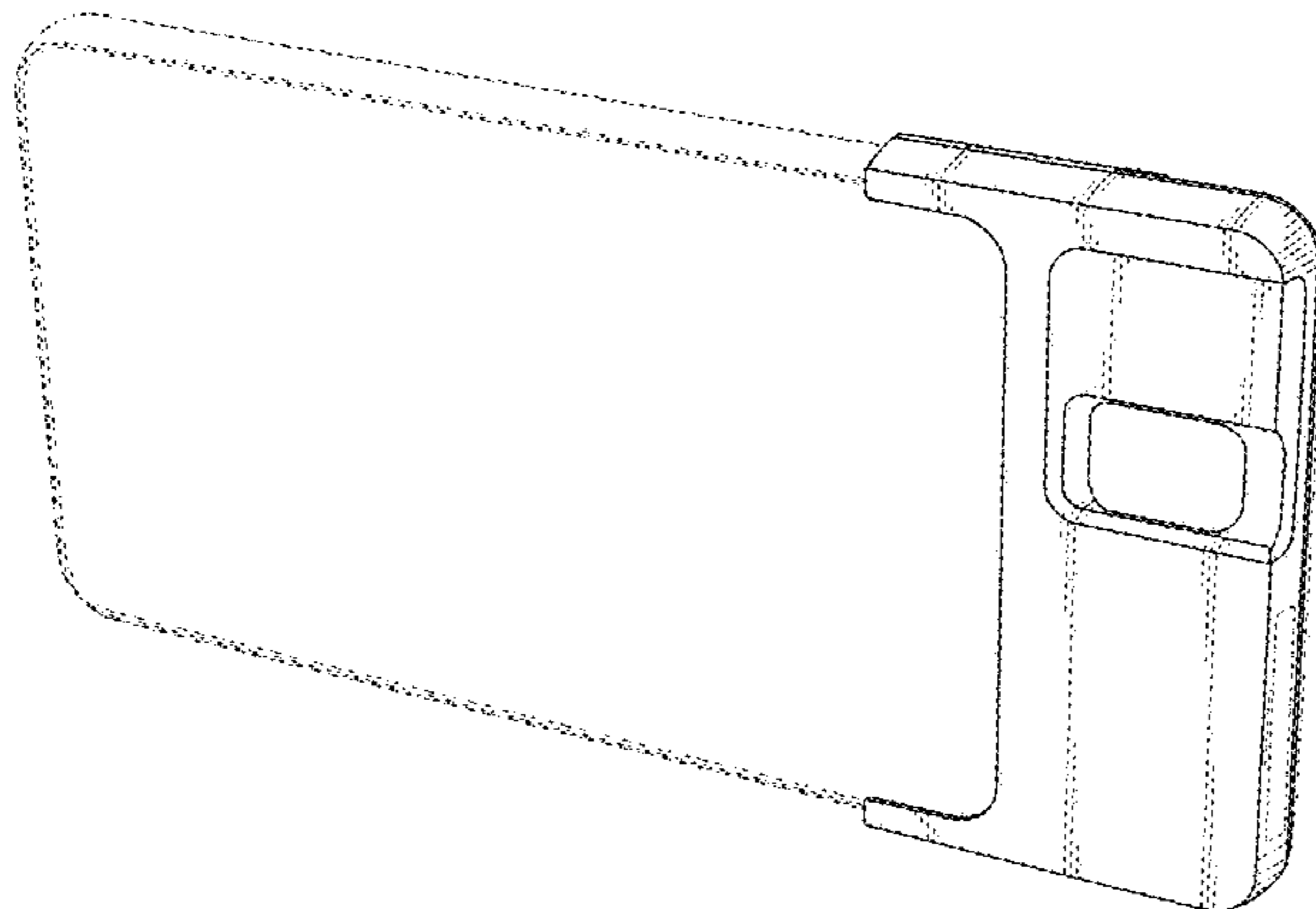
The ornamental design for a card payment terminal, as shown and described.

DESCRIPTION

FIG. 1 is a perspective view showing our new design for a card payment terminal;
FIG. 2 is a front view thereof;
FIG. 3 is a rear view thereof;
FIG. 4 is a top plan view thereof;
FIG. 5 is a bottom plan view thereof;
FIG. 6 is a left side view thereof;
FIG. 7 is a right side view thereof; and,
FIG. 8 is a perspective rear view illustrating the card payment terminal of the present invention in its environment of use.

The portions shown in broken lines are solely for the purpose of illustrating context and environmental structures only and form no part of the claimed design.

1 Claim, 8 Drawing Sheets



(56)

References Cited

U.S. PATENT DOCUMENTS

D659,138 S * 5/2012 Hsu D14/385
 D667,402 S * 9/2012 Maus D14/385
 D671,118 S * 11/2012 Wesolek D14/385
 D674,796 S * 1/2013 Cullen D14/426
 D681,036 S * 4/2013 Taunay da Graca Couto
 D14/385
 D689,860 S * 9/2013 Chong D14/368
 D691,139 S * 10/2013 Koefoed D14/433
 D698,789 S * 2/2014 Daniel D14/385
 D700,606 S * 3/2014 Lo D14/385
 D701,860 S * 4/2014 Daniel D14/385
 D703,670 S * 4/2014 Rotsaert D14/385
 D706,266 S * 6/2014 Rotsaert D14/385
 D710,358 S * 8/2014 Park D14/385
 D711,876 S * 8/2014 McWilliam D14/385
 D728,675 S * 5/2015 Daniel D18/4.6
 D729,801 S * 5/2015 Daniel D14/385
 D734,317 S * 7/2015 Recor D14/307
 D736,208 S * 8/2015 Gustafsson D14/385
 D740,285 S * 10/2015 Templeton D14/385

D740,286 S * 10/2015 Templeton D14/385
 D740,819 S * 10/2015 Weber D14/385
 D740,820 S * 10/2015 Templeton D14/385
 D755,179 S * 5/2016 Wong D14/384
 D766,238 S * 9/2016 Nguyen D14/385
 D766,901 S * 9/2016 Nguyen D14/385
 D774,510 S * 12/2016 Rotsaert D14/385
 D776,658 S * 1/2017 Zhu D14/385
 D795,869 S * 8/2017 Templeton D14/385
 D797,739 S * 9/2017 Templeton D14/385
 D797,740 S * 9/2017 Nguyen D14/385
 D803,833 S * 11/2017 He D14/385
 D818,809 S * 5/2018 Hetrick D8/394
 D841,648 S * 2/2019 Rotsaert D14/385
 D842,819 S * 3/2019 Maetani D13/168
 D871,407 S * 12/2019 Isaacs D14/385
 D878,367 S * 3/2020 Rotsaert D14/385
 D894,898 S * 9/2020 Nakhare D18/4.6
 2007/0040017 A1 * 2/2007 Kozlay H04L 63/0861
 235/380
 2011/0198395 A1 * 8/2011 Chen G06Q 20/20
 235/380

* cited by examiner

FIG. 1

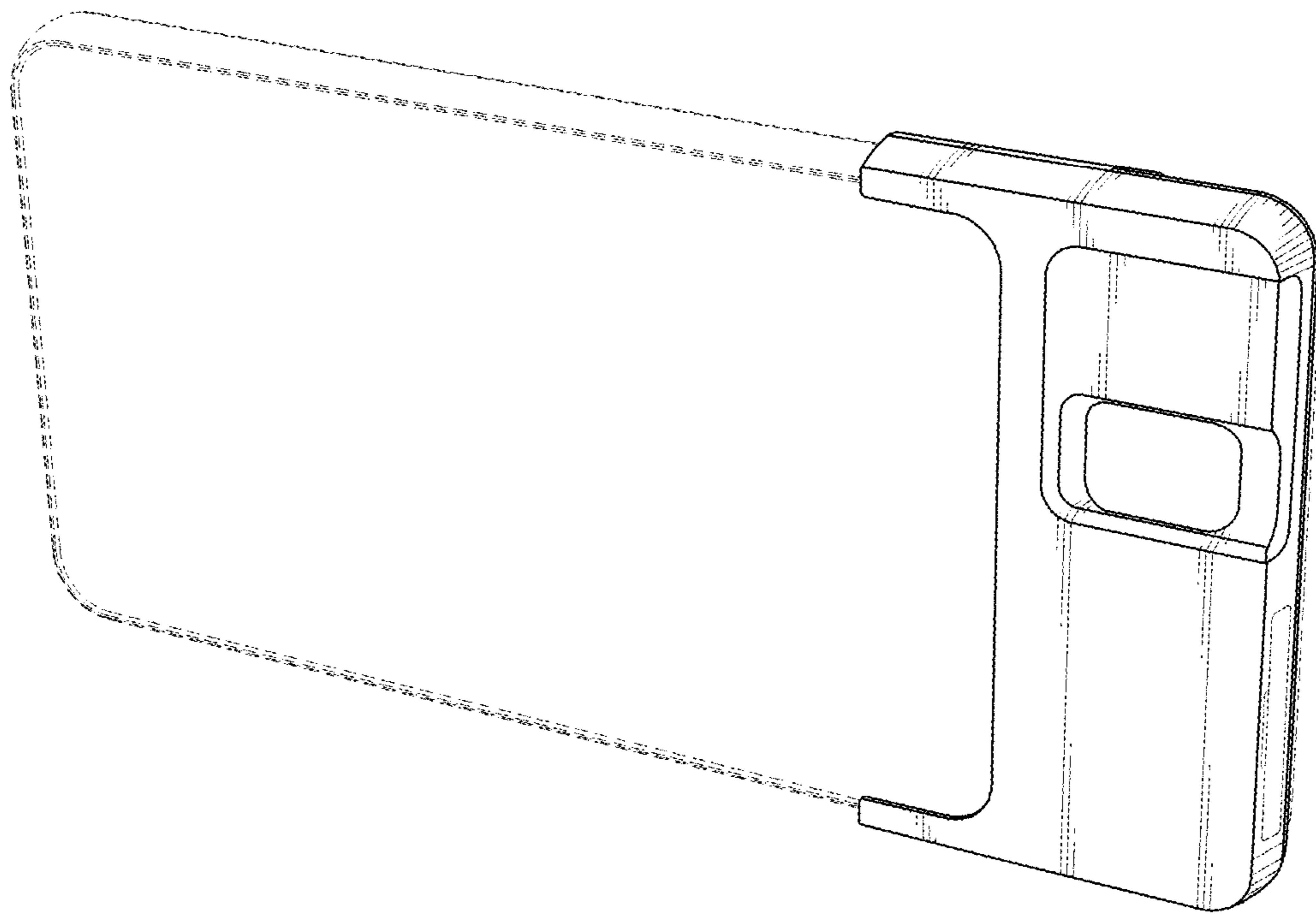


FIG. 2

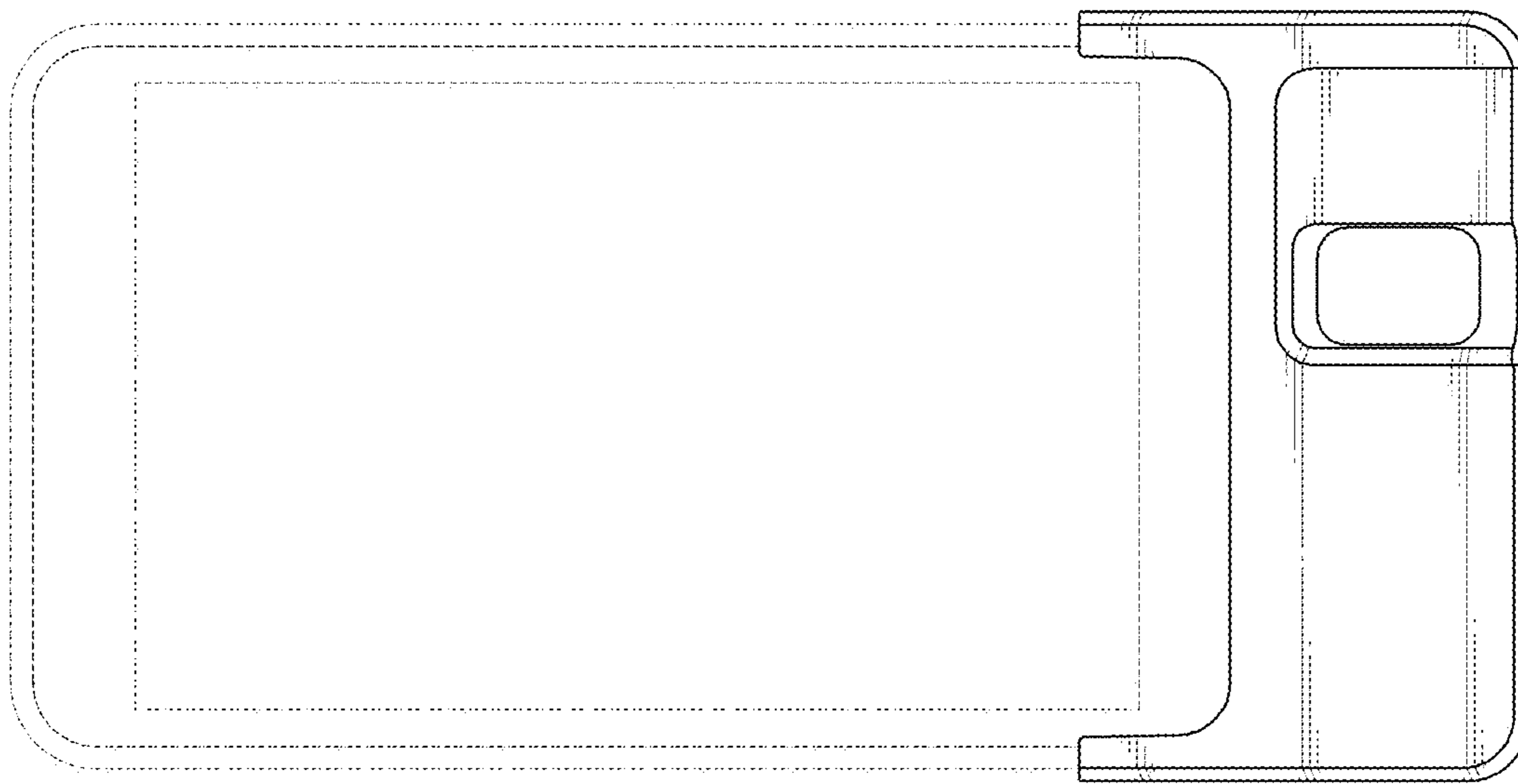


FIG. 3

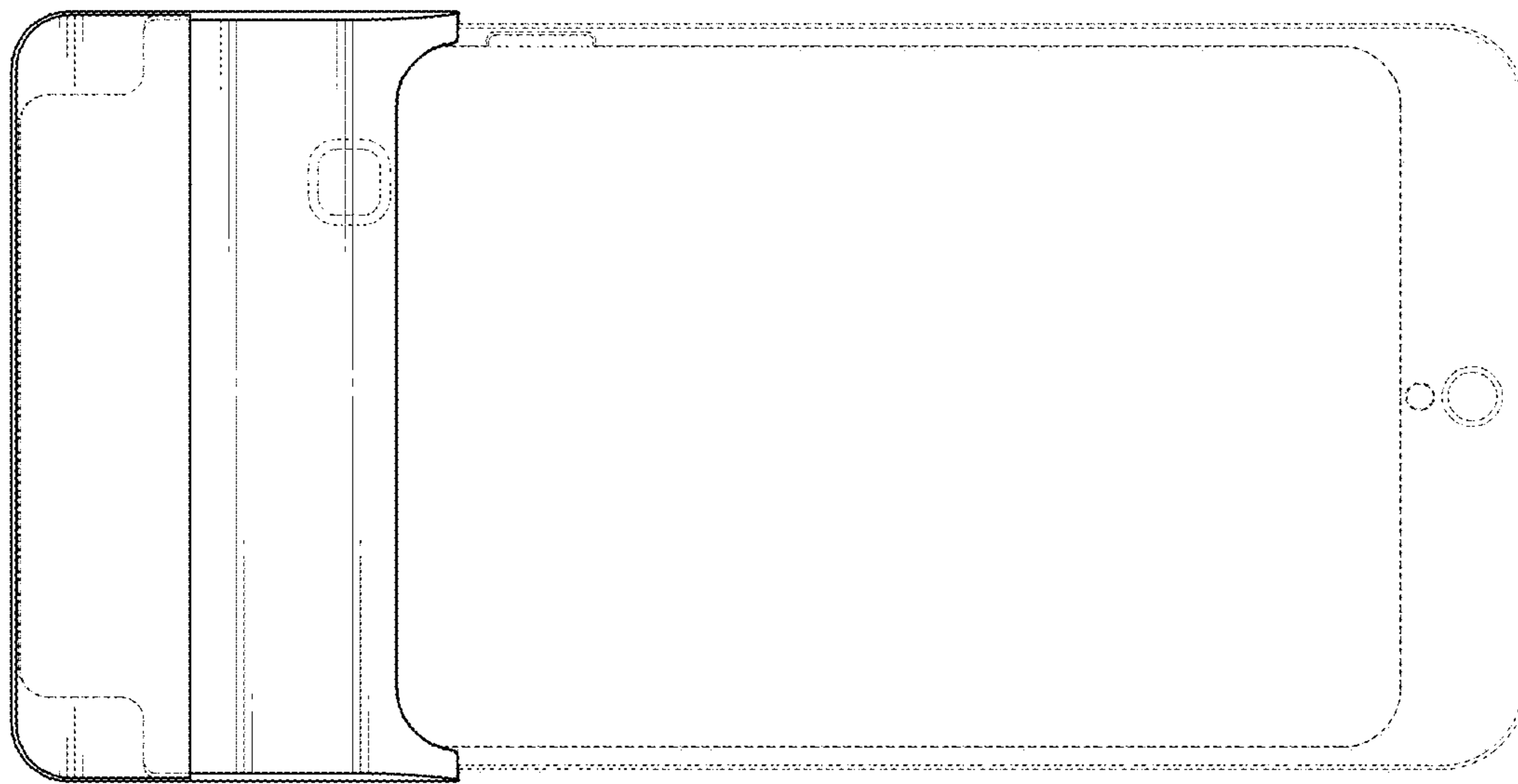


FIG. 4

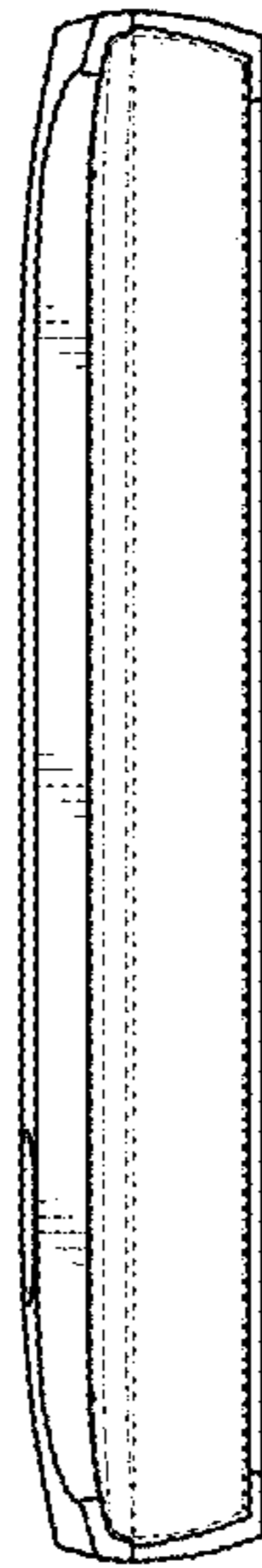


FIG. 5

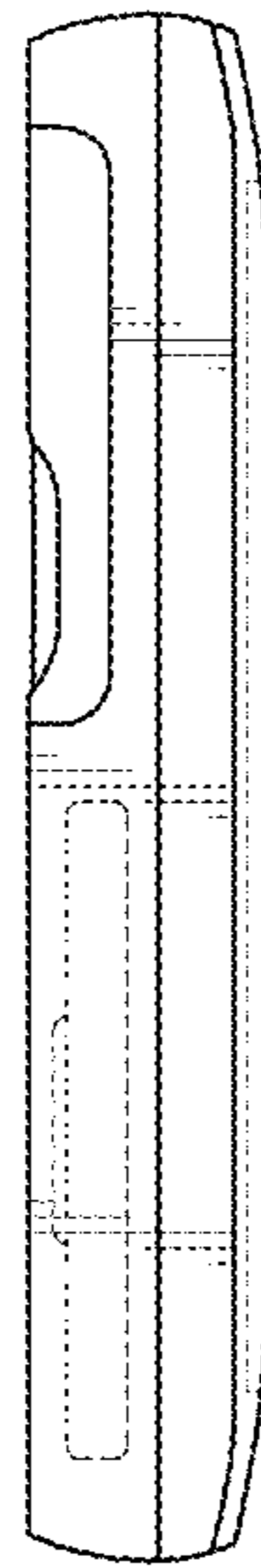


FIG. 6

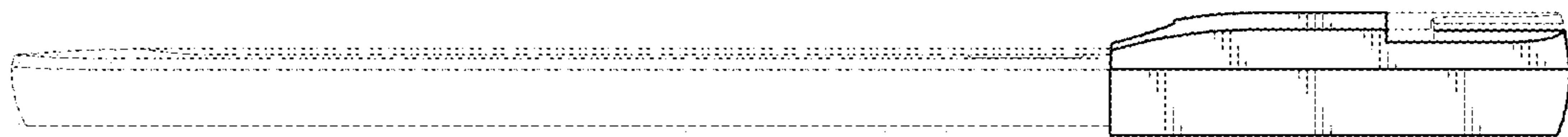


FIG. 7

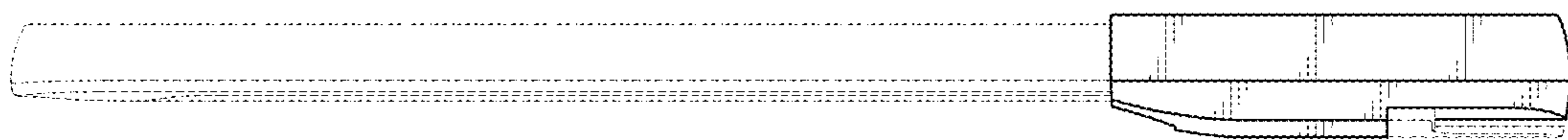


FIG. 8

