



US00D921102S

(12) **United States Design Patent**
Iwata et al.

(10) **Patent No.:** **US D921,102 S**
(45) **Date of Patent:** **** Jun. 1, 2021**

(54) **POINT-OF-SALE TERMINAL**

(71) Applicant: **NEC Platforms, Ltd.**, Kawasaki (JP)

(72) Inventors: **Akihisa Iwata**, Kawasaki (JP);
Katsumi Harashima, Kawasaki (JP);
Kunihiro Akaba, Kawasaki (JP); **Yohei Ikegami**, Kawasaki (JP); **Yuki Kobata**, Kawasaki (JP)

(73) Assignee: **NEC PLATFORMS, LTD.**, Kawasaki (JP)

(**) Term: **15 Years**

(21) Appl. No.: **29/709,675**

(22) Filed: **Oct. 16, 2019**

(30) **Foreign Application Priority Data**

Apr. 19, 2019 (JP) 2019-008771

(51) **LOC (13) Cl.** **18-01**

(52) **U.S. Cl.**
USPC **D18/4.5**

(58) **Field of Classification Search**
USPC D18/4.4, 4.5, 4.6, 2, 11, 12, 12.3, 50, 14, D18/19-21, 54, 99, 4.1, 4.3; D14/300, D14/307, 314, 328, 332-340, 356, 383, D14/385, 386, 434, 447, 451, 453, 457, D14/496, 507, 509, 510, 168, 299, 900, D14/902, 371, 125, 126, 129, 216; D10/46, 61, 62, 70, 104.1, 104.2, 106.2, D10/106.6, 65, 66; D20/1, 8, 9; D99/28, D99/43
CPC H04W 8/22; H04W 52/0225; H04W 52/0254; G06Q 20/00; G06Q 20/08; G06Q 20/20; G06Q 20/204; G06Q 20/18; G07F 7/0873; G07F 7/088; G07F 7/0886; G07F 7/0893; G07G 1/0009; G07G 1/0018

See application file for complete search history.

(56) **References Cited**

U.S. PATENT DOCUMENTS

D360,196 S * 7/1995 Cox D18/4.5
D362,236 S * 9/1995 Dann D14/336
(Continued)

FOREIGN PATENT DOCUMENTS

JP D1547669 4/2016
JP D1633633 6/2019

OTHER PUBLICATIONS

Point-of-sale terminals. (Design—© Questel) orbit.com. 12 pgs. Print Dates range Nov. 11, 2019-Jun. 16, 2020 [Retrieved Jan. 28, 2021] <https://www.orbit.com/export/QPTUJ214/pdf2/27e0afa2-1bd5-4e4c-aa3f-26e98e397053-220857.pdf>.*

(Continued)

Primary Examiner — Marie D. Fast Horse

(74) *Attorney, Agent, or Firm* — Buchanan Ingersoll & Rooney PC

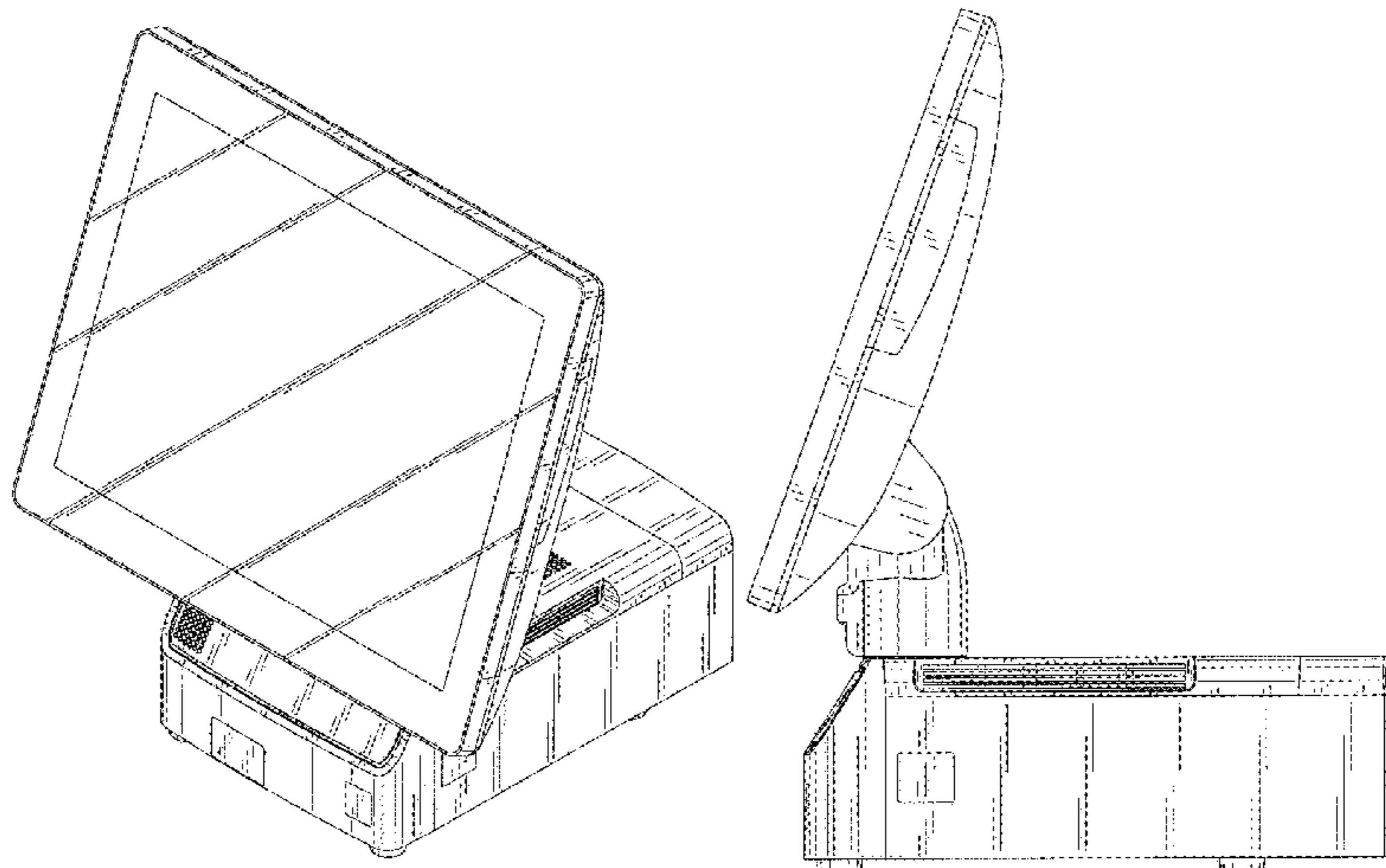
(57) **CLAIM**

The ornamental design for a point-of-sale terminal, as shown and described.

DESCRIPTION

FIG. 1 is a reduced-scale front, right side, top perspective view of a point-of-sale terminal showing our new design; FIG. 2 is a front elevational view thereof; FIG. 3 is a rear elevational view thereof; FIG. 4 is a left side view thereof; FIG. 5 is a right side view thereof; FIG. 6 is a top plan view thereof; FIG. 7 is a bottom plan view thereof; and, FIG. 8 is a reduced-scale perspective view thereof, shown in an alternate state with an additional environmental customer display.

(Continued)



The broken lines depict environmental structure that form no part of the claimed design.

1 Claim, 8 Drawing Sheets

(56) **References Cited**

U.S. PATENT DOCUMENTS

D424,098	S *	5/2000	Kim	D18/4.5
D430,870	S *	9/2000	Maruyama	345/104
D508,519	S *	8/2005	Kuramochi	D18/4.4
7,017,803	B2 *	3/2006	Ichikawa	G07G 1/0018 235/379
D527,760	S *	9/2006	Ono	D18/4.5
D529,073	S *	9/2006	Ono	D18/4.5
D572,218	S *	7/2008	Iwamoto	D14/132
D575,252	S *	8/2008	Iwamoto	D14/132

D587,296	S *	2/2009	Kuramochi	D18/4.5
D598,045	S *	8/2009	Iwata	D18/4.5
D615,120	S *	5/2010	Ono	D18/4.5
D619,133	S *	7/2010	Bucsa	D14/314
D680,108	S *	4/2013	Kumagai	D14/336
D806,159	S *	12/2017	Haller	D18/4.5
D894,263	S *	8/2020	Midorikawa	D18/4.5
D895,001	S *	9/2020	Midorikawa	D18/4.5
2007/0268664	A1 *	11/2007	Kobayashi	G06F 1/26 361/695
2017/0052574	A1 *	2/2017	Yonemaru	G11B 33/1426
2017/0060516	A1 *	3/2017	Nakashima	G07G 1/01
2018/0114548	A1 *	4/2018	Yonemaru	G06F 1/187
2018/0168053	A1 *	6/2018	Yonemaru	H05K 5/0004

OTHER PUBLICATIONS

Notice dated Sep. 20, 2019 by the Japanese Patent Office for Application No. 2019-008771 (with English translation).

* cited by examiner

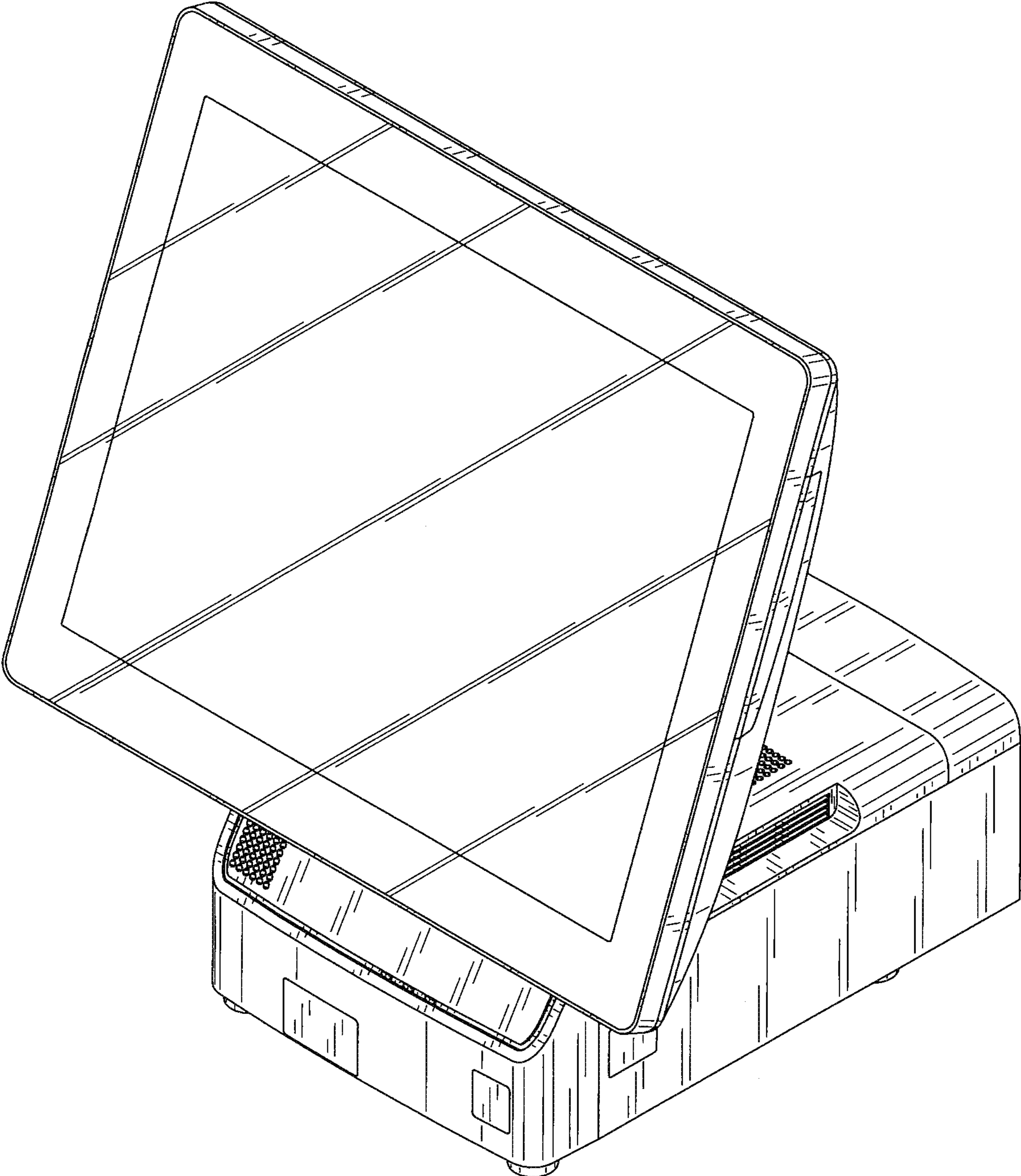


FIG. 1

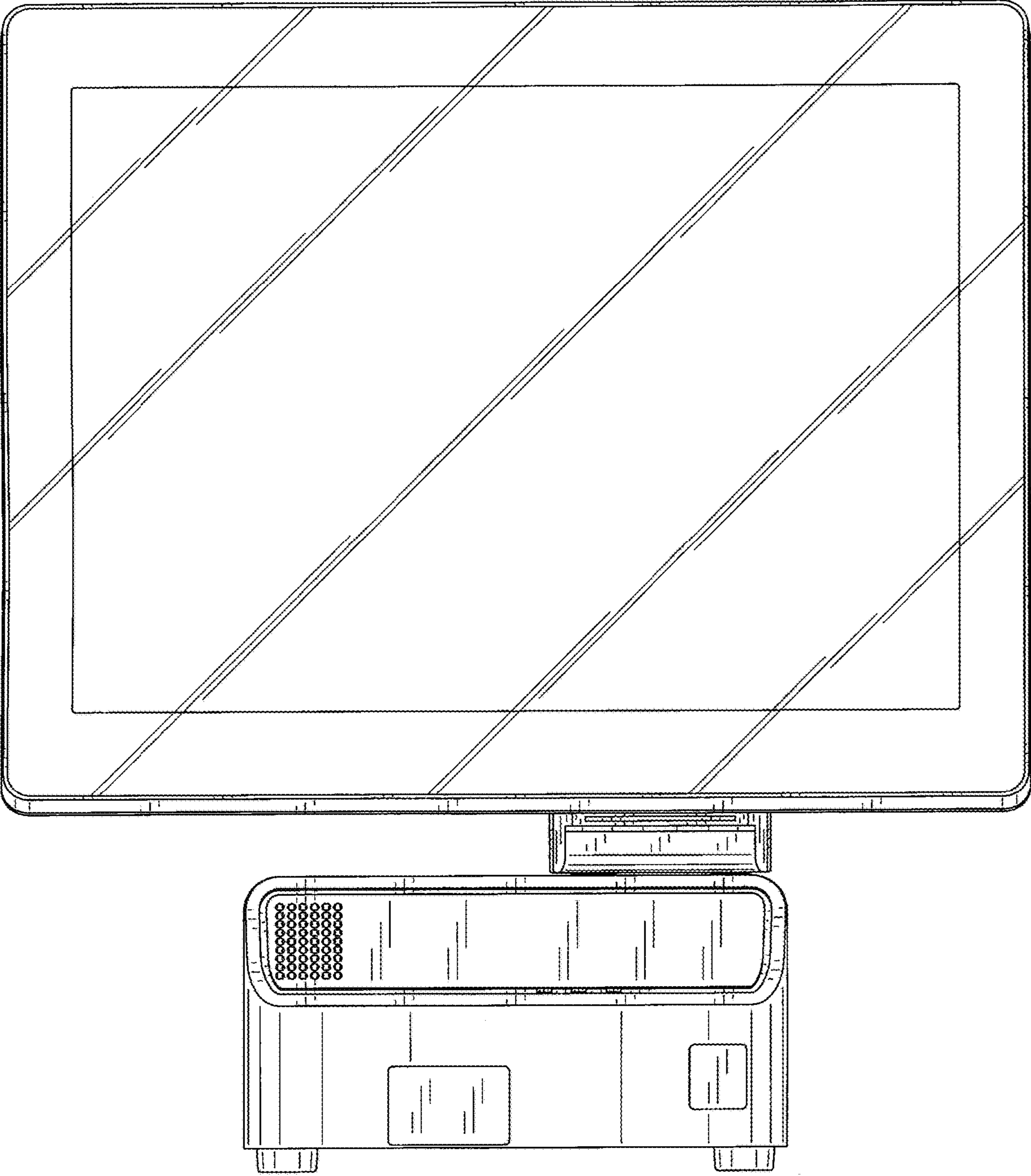


FIG. 2

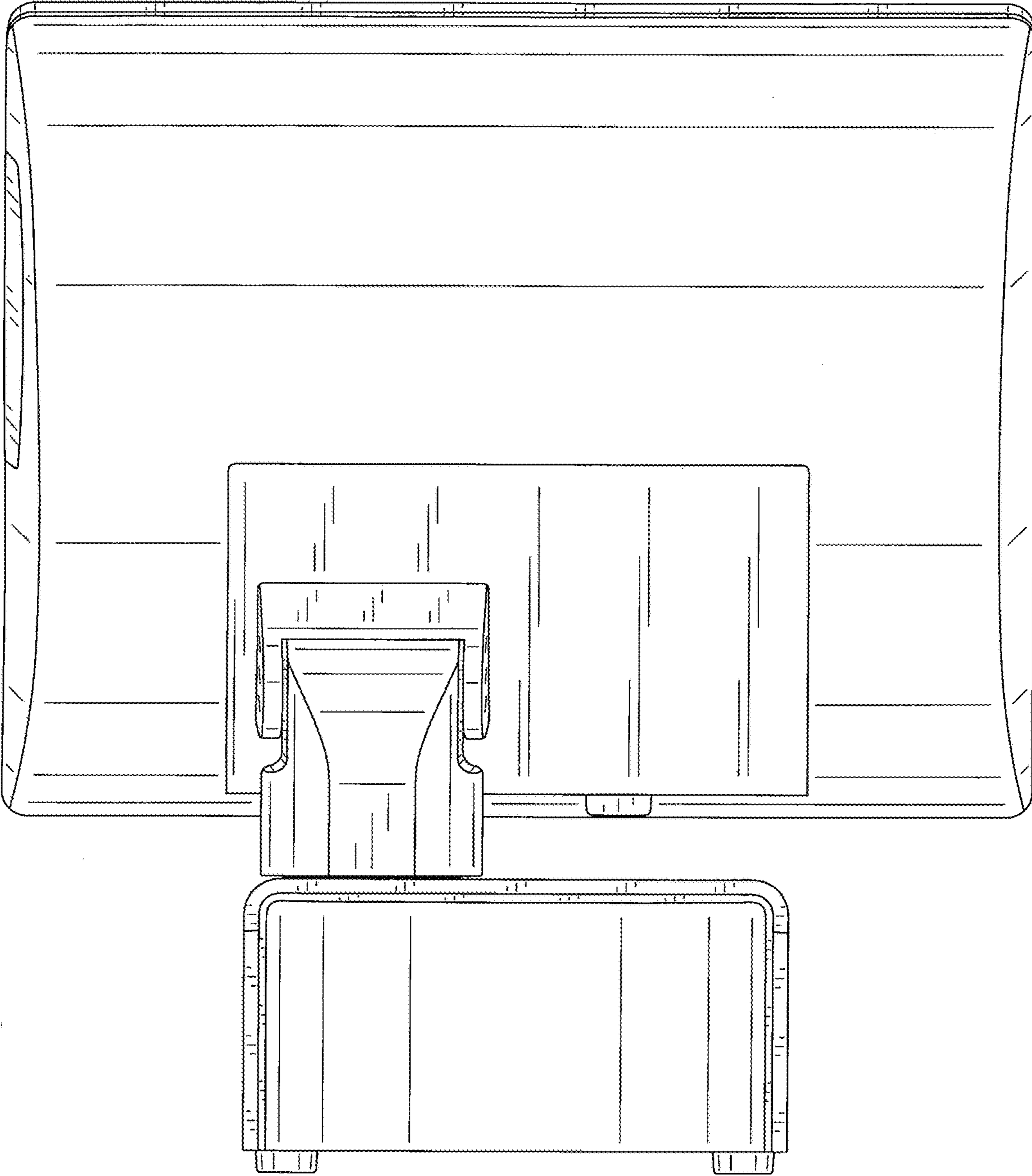


FIG. 3

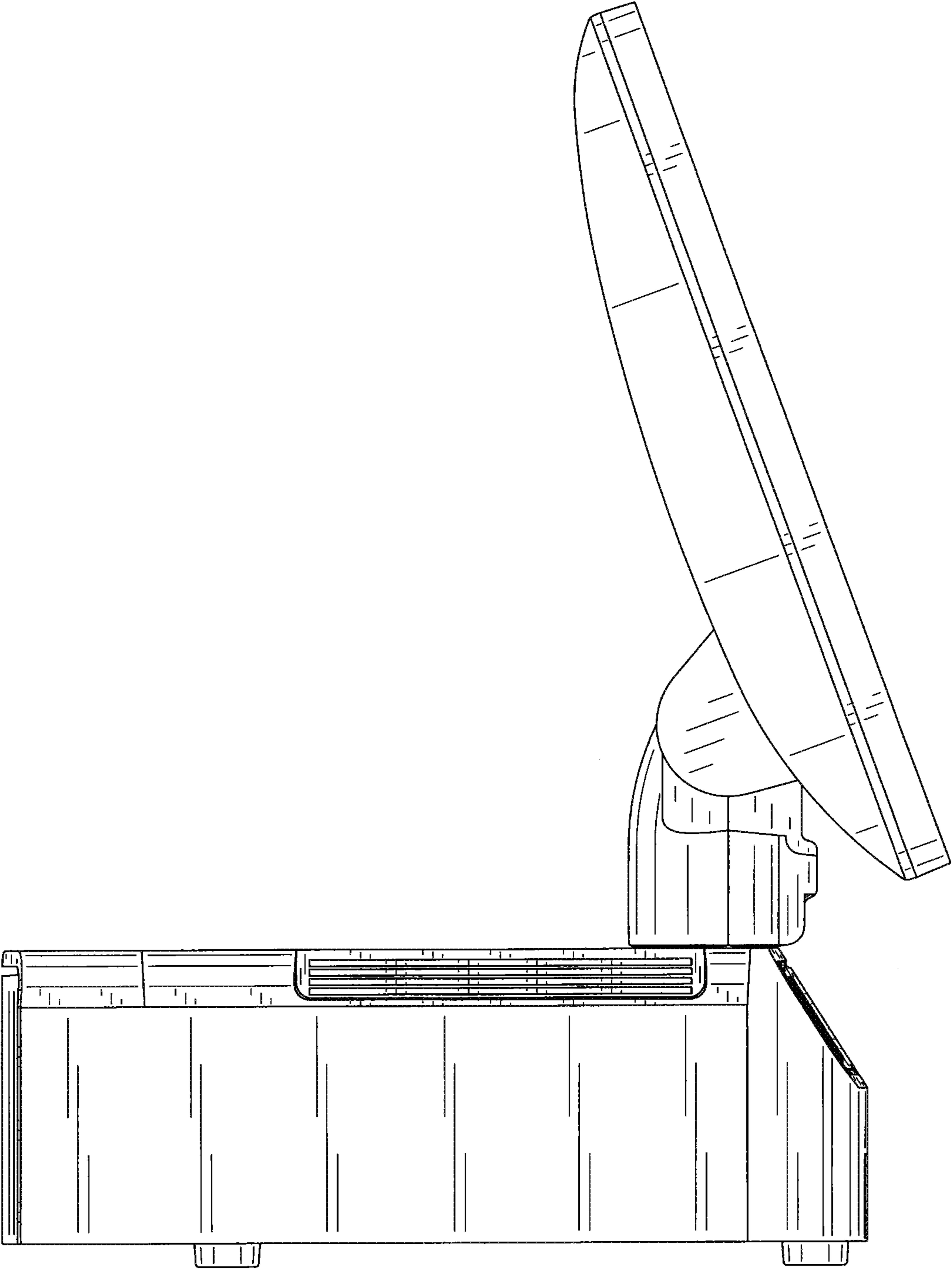


FIG. 4

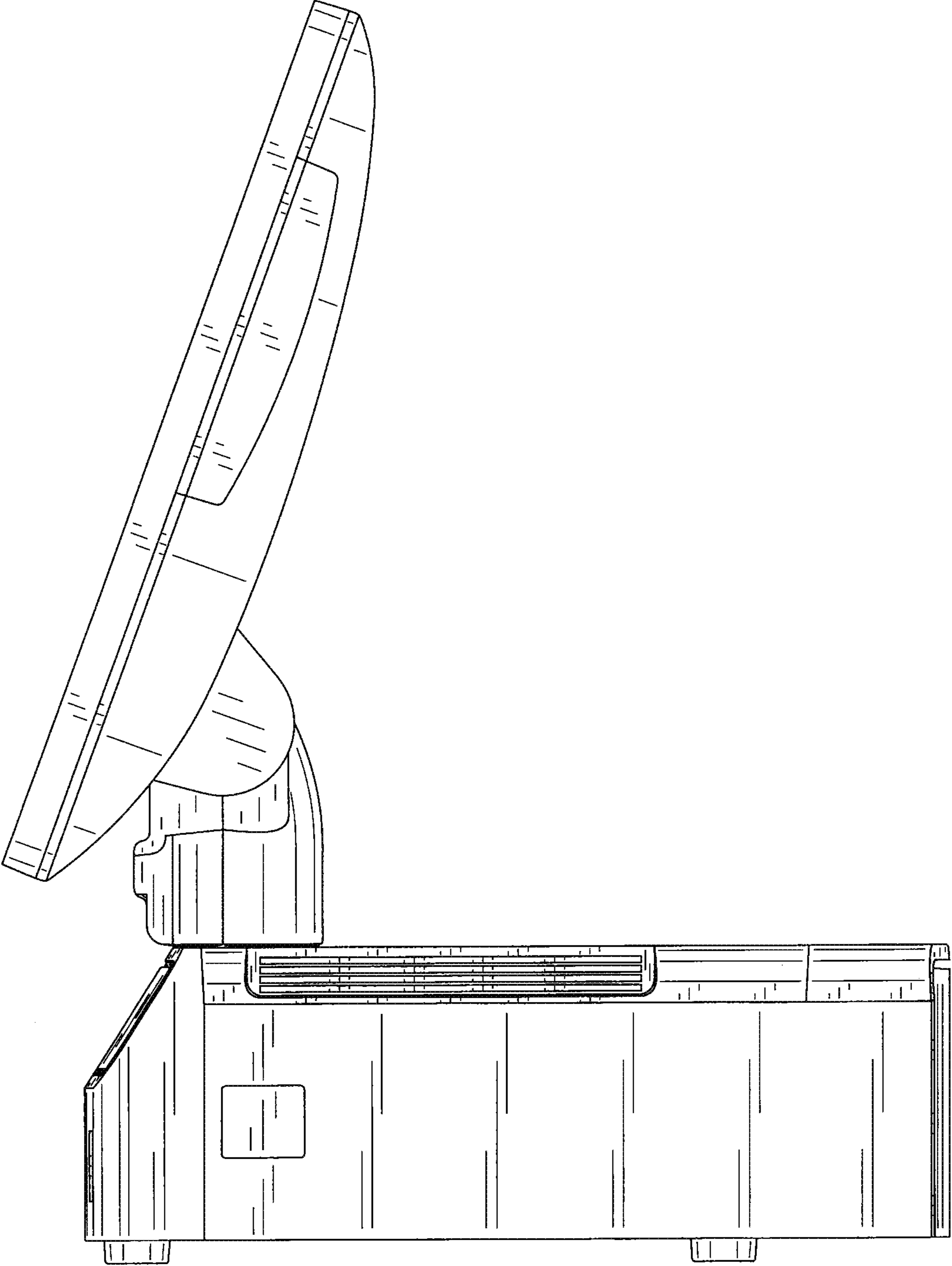


FIG. 5

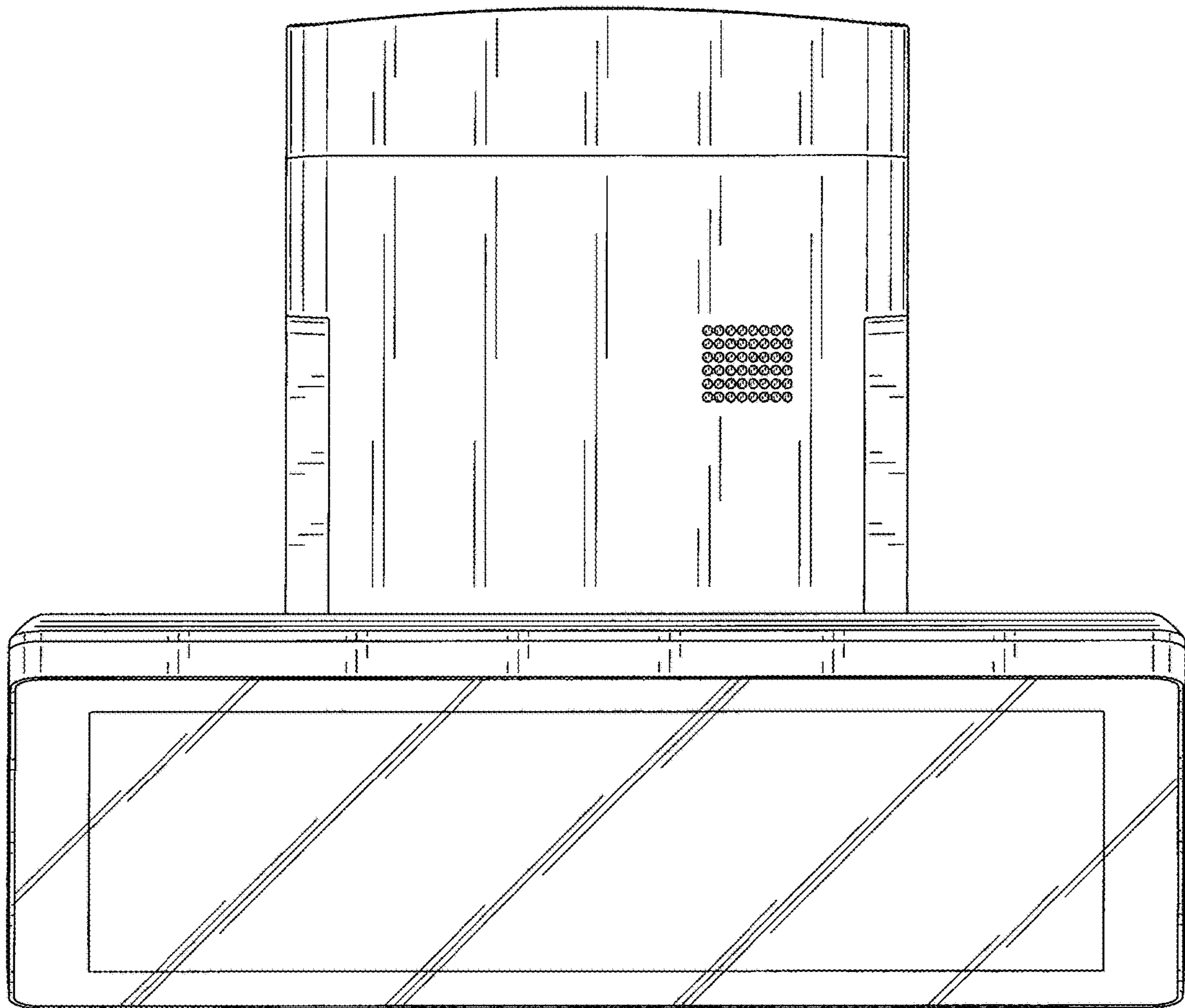


FIG. 6

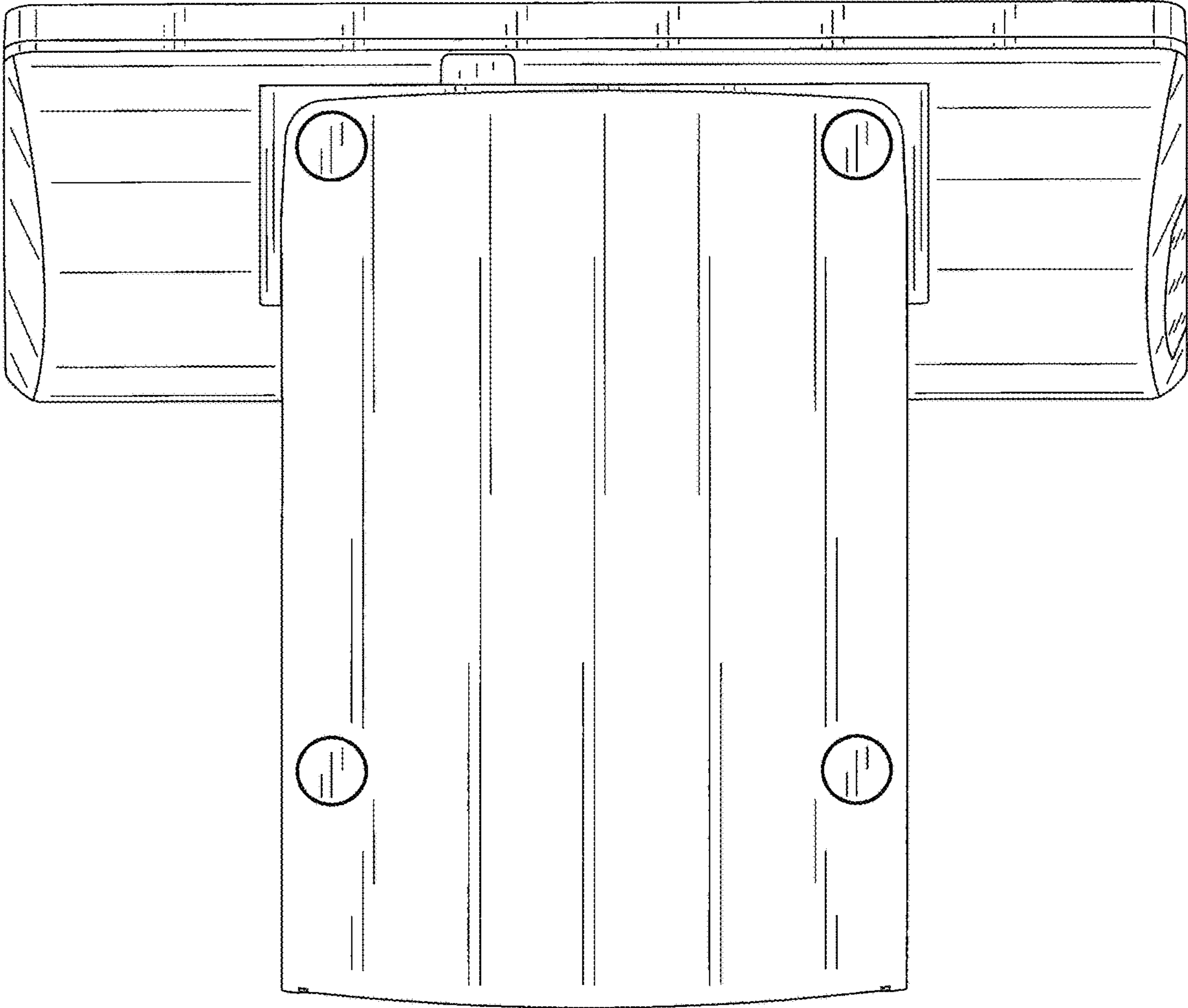


FIG. 7

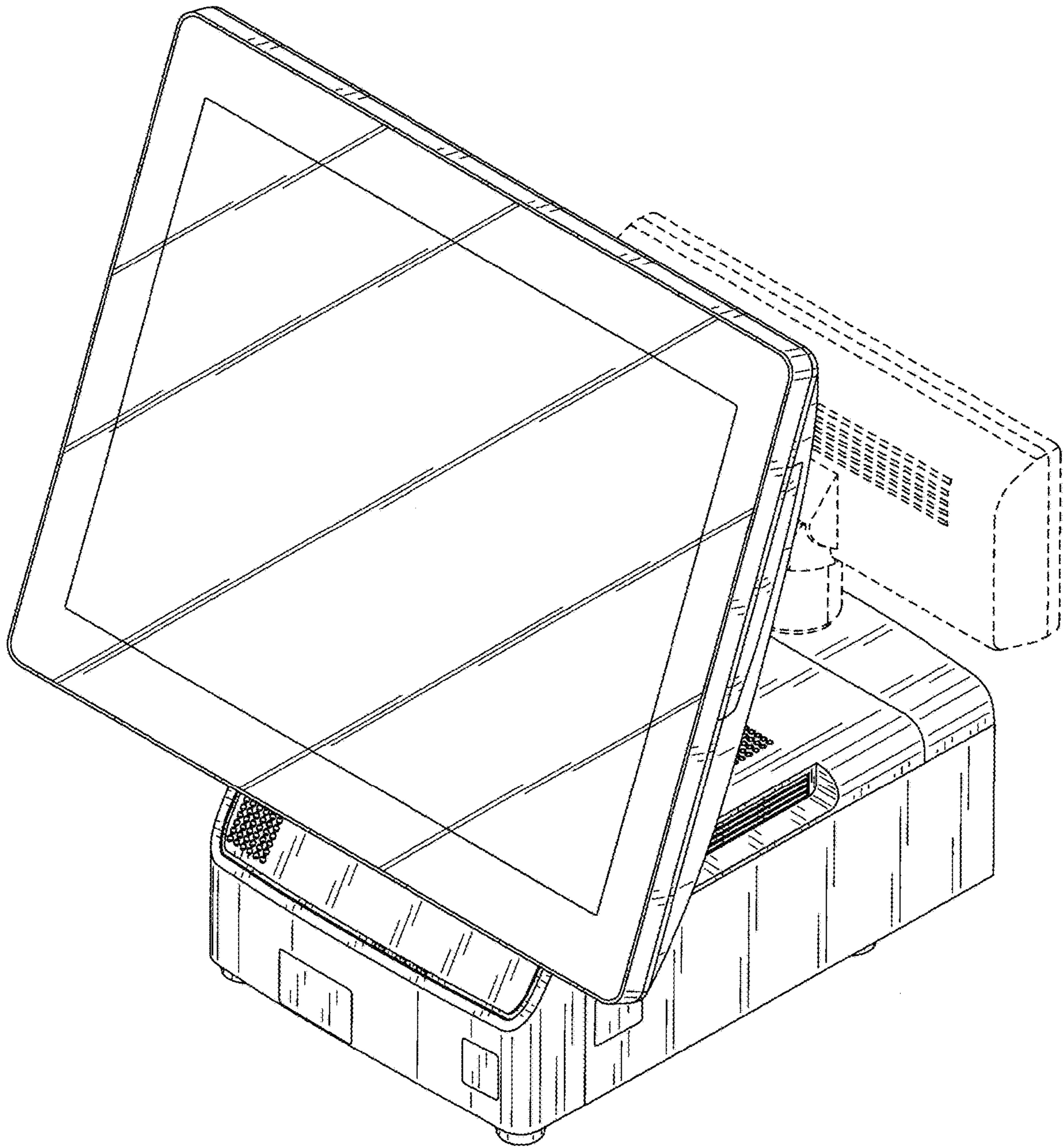


FIG. 8