



US00D921101S

(12) **United States Design Patent**  
**Tang**

(10) **Patent No.:** **US D921,101 S**  
(45) **Date of Patent:** **\*\* Jun. 1, 2021**

(54) **HANGER BASE FOR GUITAR**

FOREIGN PATENT DOCUMENTS

(71) Applicant: **Yuzhu Tang**, Guangdong (CN)

DE 2553563 A1 \* 6/1977  
FR 377786 A \* 9/1907

(72) Inventor: **Yuzhu Tang**, Guangdong (CN)

(73) Assignee: **Shenzhen Ai Tai Technology Co., Ltd.**,  
Guangdong (CN)

OTHER PUBLICATIONS

(\*\*) Term: **15 Years**

Amazon.com. [https://www.amazon.com/Guitar-Accessories-Acoustic-Electric-Ukulele/dp/B07TWDW2HS/ref=sr\\_1\\_8?dchild=1&keywords=hand+guitar+hanger&sr=8-8](https://www.amazon.com/Guitar-Accessories-Acoustic-Electric-Ukulele/dp/B07TWDW2HS/ref=sr_1_8?dchild=1&keywords=hand+guitar+hanger&sr=8-8). Healemo "Guitar Wall Mount, Black Walnut Guitar Wall Hanger". Jul. 1, 2019 (Year: 2019).\*

(21) Appl. No.: **29/710,046**

Amazon.com. [https://www.amazon.com/Guitar-Accessories-Acoustic-Electric-Ukulele/dp/B07TTS6QFWN/ref=psdc\\_11967831\\_t4\\_B07TWDW2HS](https://www.amazon.com/Guitar-Accessories-Acoustic-Electric-Ukulele/dp/B07TTS6QFWN/ref=psdc_11967831_t4_B07TWDW2HS). Healemo "Guitar Wall Mount, Hard Wood Guitar Wall Hanger". Jul. 1, 2019 (Year: 2019).\*

(22) Filed: **Oct. 18, 2019**

(51) **LOC (13) Cl.** ..... **17-03**

(52) **U.S. Cl.**  
USPC ..... **D17/20; D8/373**

(58) **Field of Classification Search**  
USPC ..... D17/14, 19, 20; D3/204; D8/373  
CPC ..... G10D 1/08; G10D 1/10; G10D 3/06  
See application file for complete search history.

\* cited by examiner

*Primary Examiner* — R. Johnson

(56) **References Cited**

U.S. PATENT DOCUMENTS

1,475,345	A *	11/1923	Lambert	.....	G10D 3/12 84/314 R
D90,472	S *	8/1933	Bowman	.....	D17/19
3,426,638	A *	2/1969	Smith	.....	G10D 1/085 84/291
3,469,489	A *	9/1969	Barth	.....	G10D 3/06 84/314 R
4,184,404	A *	1/1980	Tomioka	.....	G10D 3/06 428/537.1
4,249,450	A *	2/1981	Quemore, Sr.	.....	G10D 1/08 84/317
4,320,685	A *	3/1982	Pytlewski	.....	G10D 3/02 84/291
D609,940	S *	2/2010	Samu	.....	D6/682
10,803,840	B1 *	10/2020	Greene	.....	G10D 3/06
2009/0242499	A1 *	10/2009	Rosselli	.....	G10G 5/00 211/85.6
2016/0027415	A1 *	1/2016	Hooker	.....	G10D 3/06 84/293
2016/0104467	A1 *	4/2016	Chang	.....	G10D 3/00 84/304

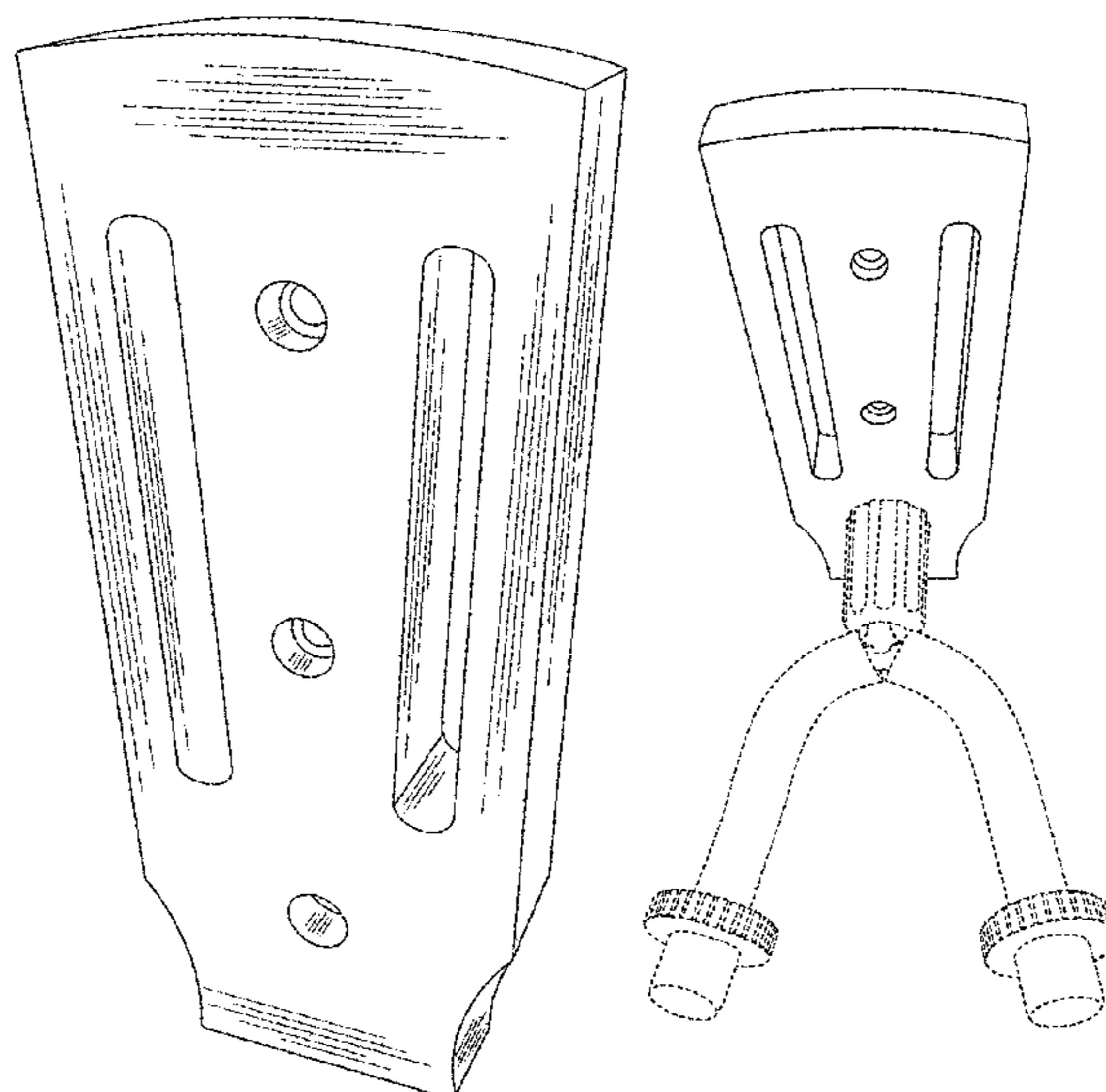
(57) **CLAIM**

The ornamental design for a hanger base for guitar, as shown and described.

**DESCRIPTION**

FIG. 1 is a perspective view of a hanger base for guitar showing my new design;  
FIG. 2 is a front elevational view thereof;  
FIG. 3 is a rear elevational view thereof;  
FIG. 4 is a left side elevational view thereof;  
FIG. 5 is a right side elevational view thereof;  
FIG. 6 is a top plan view thereof;  
FIG. 7 is a bottom plan view thereof; and,  
FIG. 8 is a perspective view thereof, showing the hanger connected to the base.  
The broken lines in the drawings depict portions of the hanger base for guitar that form no part of the claimed design.

**1 Claim, 8 Drawing Sheets**



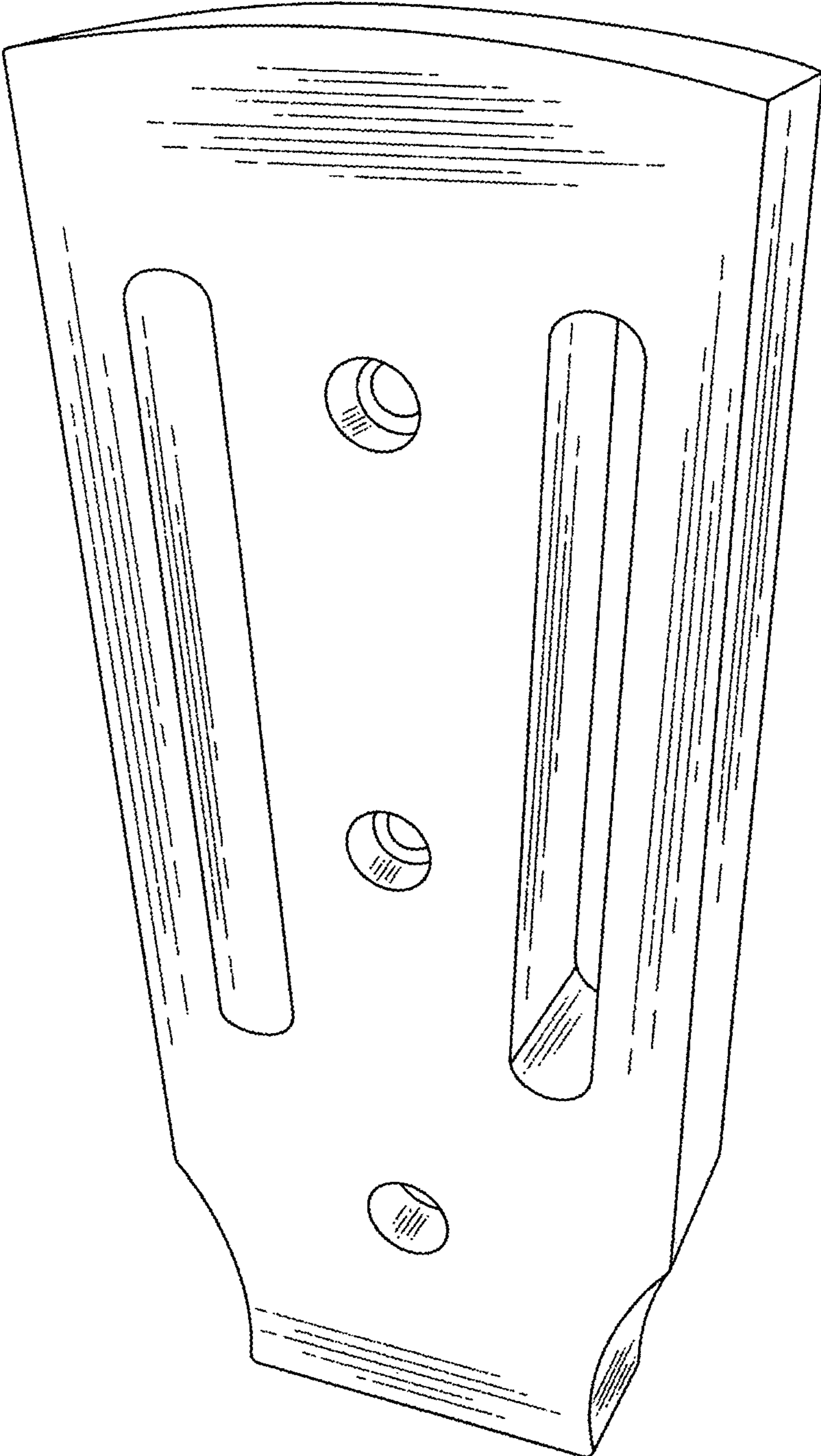


FIG. 1

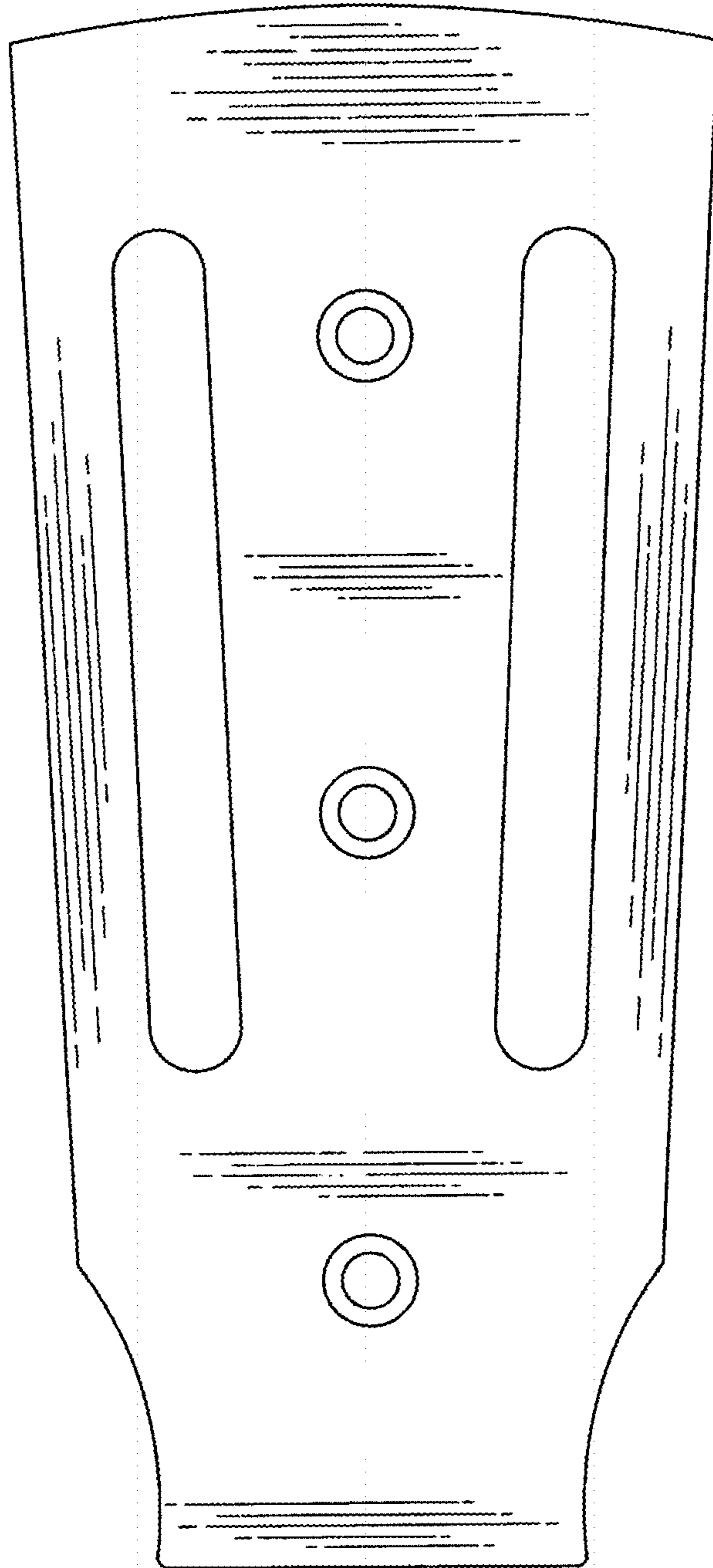


FIG. 2

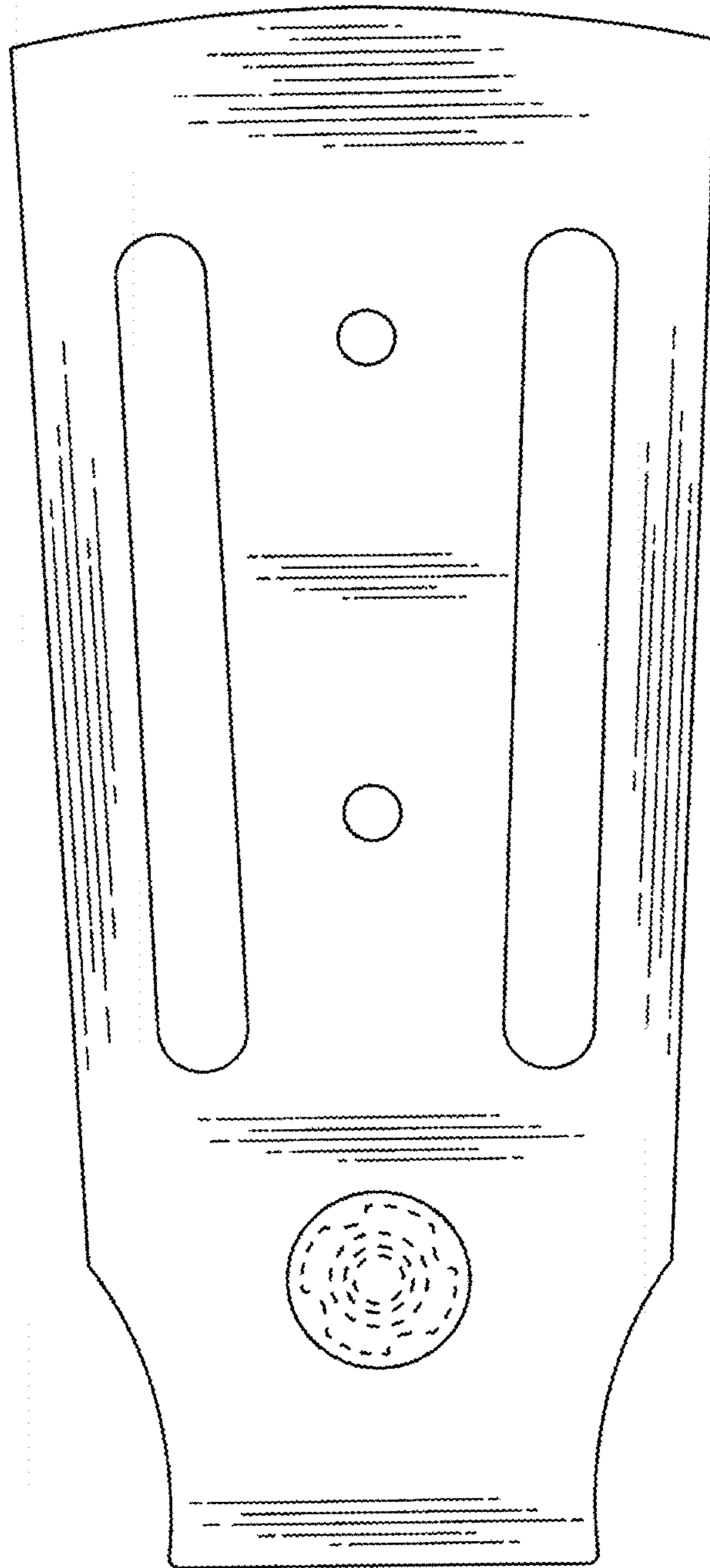


FIG. 3

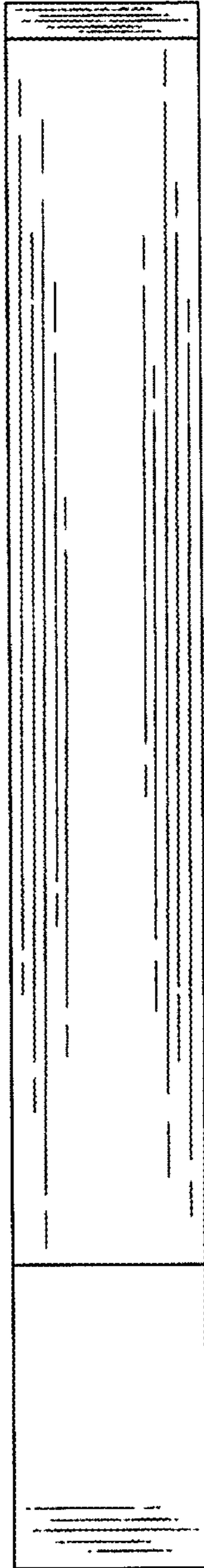


FIG. 4

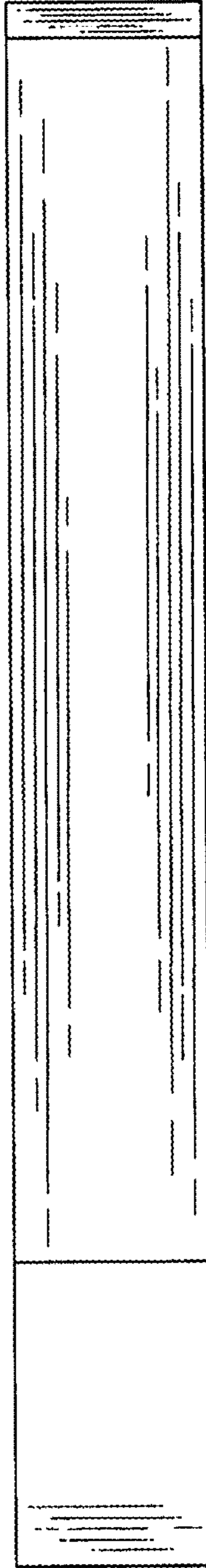


FIG. 5



FIG. 6

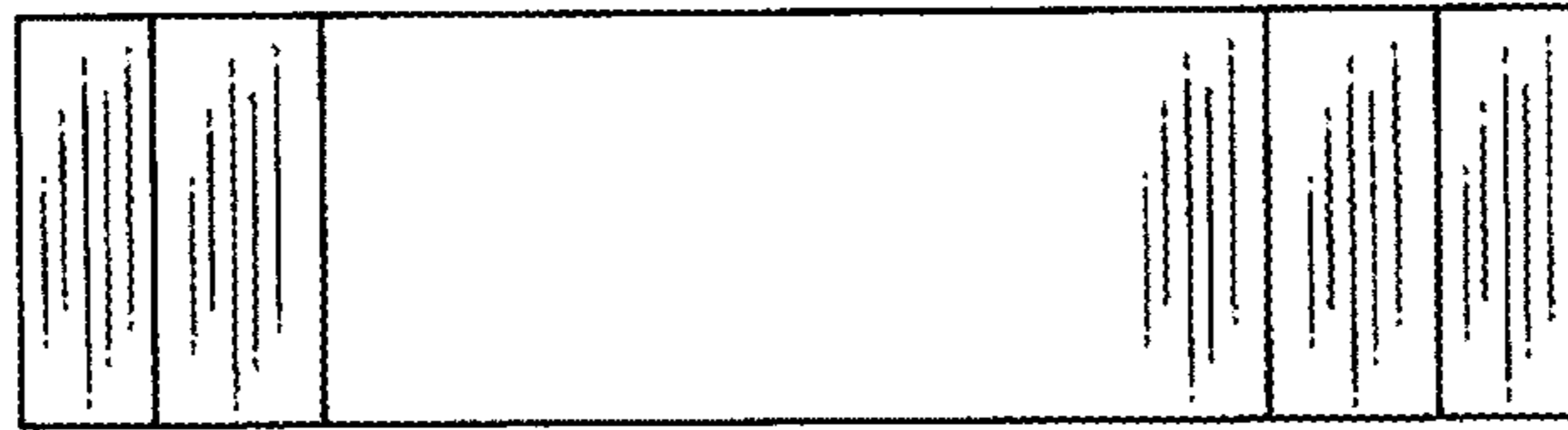


FIG. 7



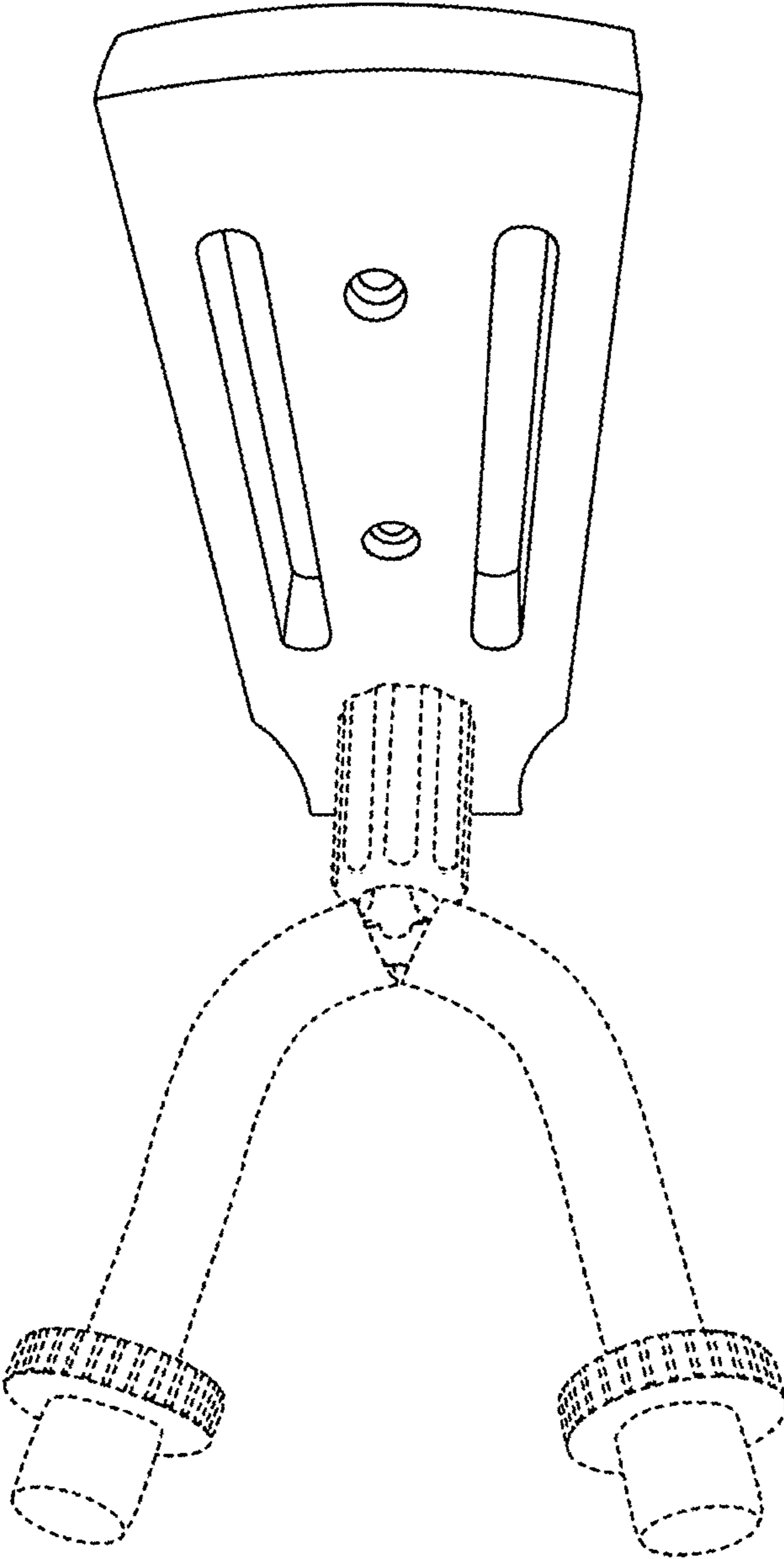


FIG. 8