



US00D921097S

(12) **United States Design Patent** (10) **Patent No.:** **US D921,097 S**
Browy (45) **Date of Patent:** **** *Jun. 1, 2021**

- (54) **NEAR-EYE DISPLAY DEVICE**
- (71) Applicant: **Chosen Realities, LLC**, Fort Lauderdale, FL (US)
- (72) Inventor: **Eric Browy**, Fort Lauderdale, FL (US)
- (73) Assignee: **Magic Leap, Inc.**, Plantation, FL (US)
- (*) Notice: This patent is subject to a terminal disclaimer.
- (**) Term: **15 Years**
- (21) Appl. No.: **29/653,590**
- (22) Filed: **Jun. 15, 2018**
- (51) **LOC (13) Cl.** **16-06**
- (52) **U.S. Cl.**
USPC **D16/309**
- (58) **Field of Classification Search**
USPC D16/300, 306, 309, 312-315, 319, 325, D16/326; D14/372
CPC G02B 2027/014; G02C 7/16
See application file for complete search history.

(56) **References Cited**

U.S. PATENT DOCUMENTS

- D741,326 S * 10/2015 Bosveld D14/372
- D741,860 S * 10/2015 Bosveld D14/372
- D780,751 S * 3/2017 Park D14/372
- D792,400 S * 7/2017 Osterhout D14/372
- D795,952 S * 8/2017 Natsume D16/309
- D797,735 S * 9/2017 Fraser D14/372
- D798,297 S * 9/2017 Flanders D14/372
- D798,862 S * 10/2017 Wang D14/372
- D800,727 S * 10/2017 Mullins D14/372
- D805,515 S * 12/2017 Bowes D14/372
- D806,073 S * 12/2017 Li D14/372
- 9,848,260 B2 * 12/2017 Conliffe G02C 11/10

- D812,612 S * 3/2018 Gribetz D14/372
- D815,637 S * 4/2018 Li D14/372
- D820,258 S * 6/2018 Maw D14/372
- D831,027 S * 10/2018 Kim D14/372
- D831,029 S * 10/2018 Gu D14/372
- D834,017 S * 11/2018 Beynel D14/372
- D840,397 S * 2/2019 Li D14/372
- 2016/0103339 A1 * 4/2016 White G02C 11/10
351/123
- 2017/0315356 A1 * 11/2017 Tervo G02B 6/0076

OTHER PUBLICATIONS

HoloLens, posted at engadget.com, posting date Jan. 25, 2015, [online], [site visited Jun. 18, 2019]. Available from Internet, URL: <https://www.engadget.com/2015/01/21/microsoft-hololens-hands-on/> (Year: 2015).*

(Continued)

Primary Examiner — George D. Kirschbaum
Assistant Examiner — Maria J. Edwards
(74) *Attorney, Agent, or Firm* — Vista IP Law Group, LLP

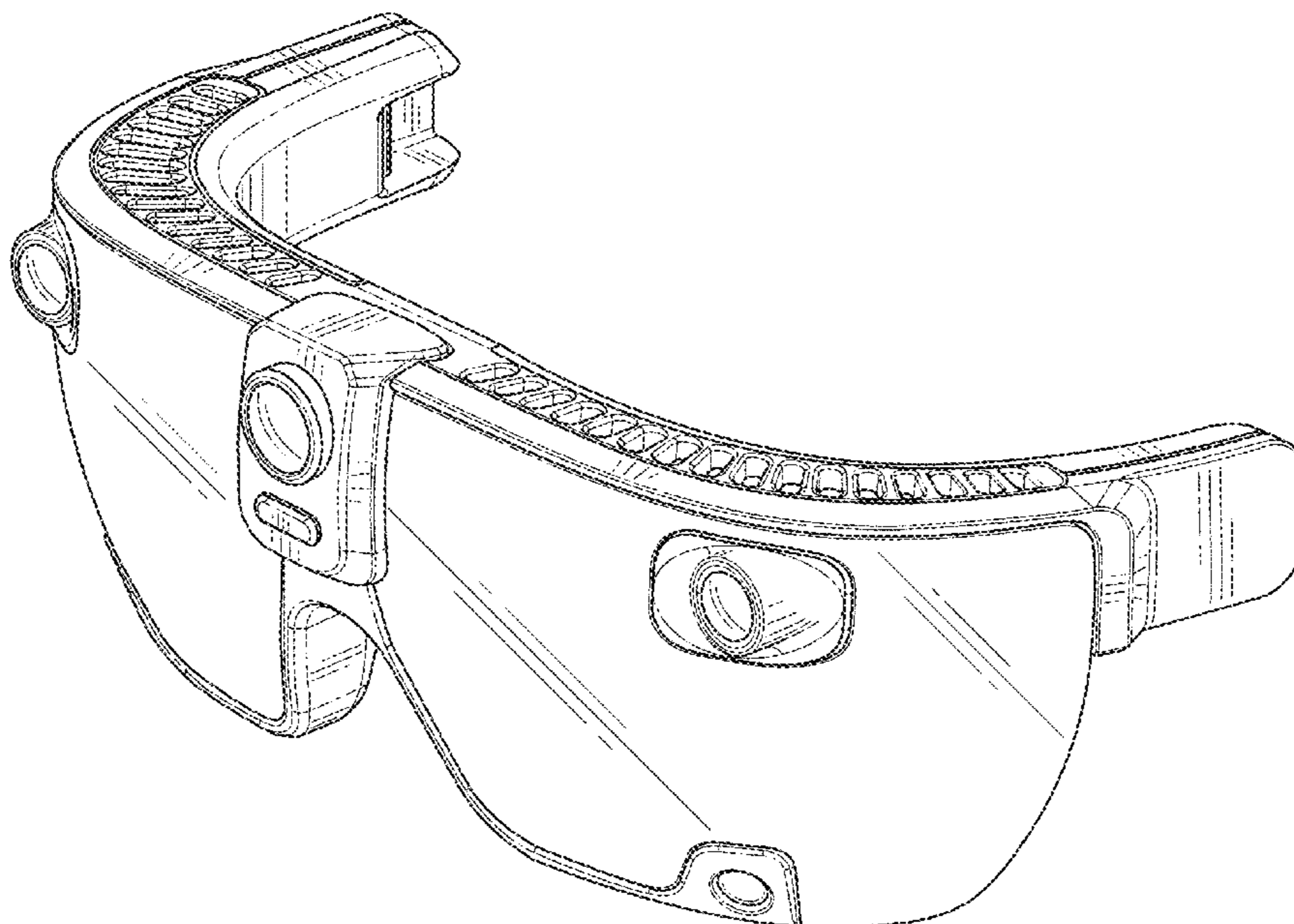
(57) **CLAIM**

The ornamental design for a near-eye display device, as shown and described.

DESCRIPTION

FIG. 1 is a perspective view of a near-eye display device, as seen from the front, left side;
FIG. 2 is a front view thereof;
FIG. 3 is a back view thereof;
FIG. 4 is a right-side view thereof;
FIG. 5 is a left-side view thereof;
FIG. 6 is a top view thereof; and,
FIG. 7 is a bottom view thereof.

1 Claim, 7 Drawing Sheets



(56)

References Cited

OTHER PUBLICATIONS

Magic Leap mixed reality headset, posted at bgr.com, posting date Dec. 20, 2017, [online], [site visited Jun. 18, 2019]. Available from Internet, URL: <https://bgr.com/2017/12/20/magic-leap-headset-release-date-reveal-photos/> (Year: 2017).*

Microsoft HoloLens 2, posted at cnet.com, posting date Feb. 28, 2019, [online], [site visited Jun. 18, 2019]. Available from Internet, URL: <https://www.cnet.com/news/microsoft-hololens-2-announced-for-3500-available-to-preorder-now-ships-later-this-year/> (Year: 2019).*

* cited by examiner

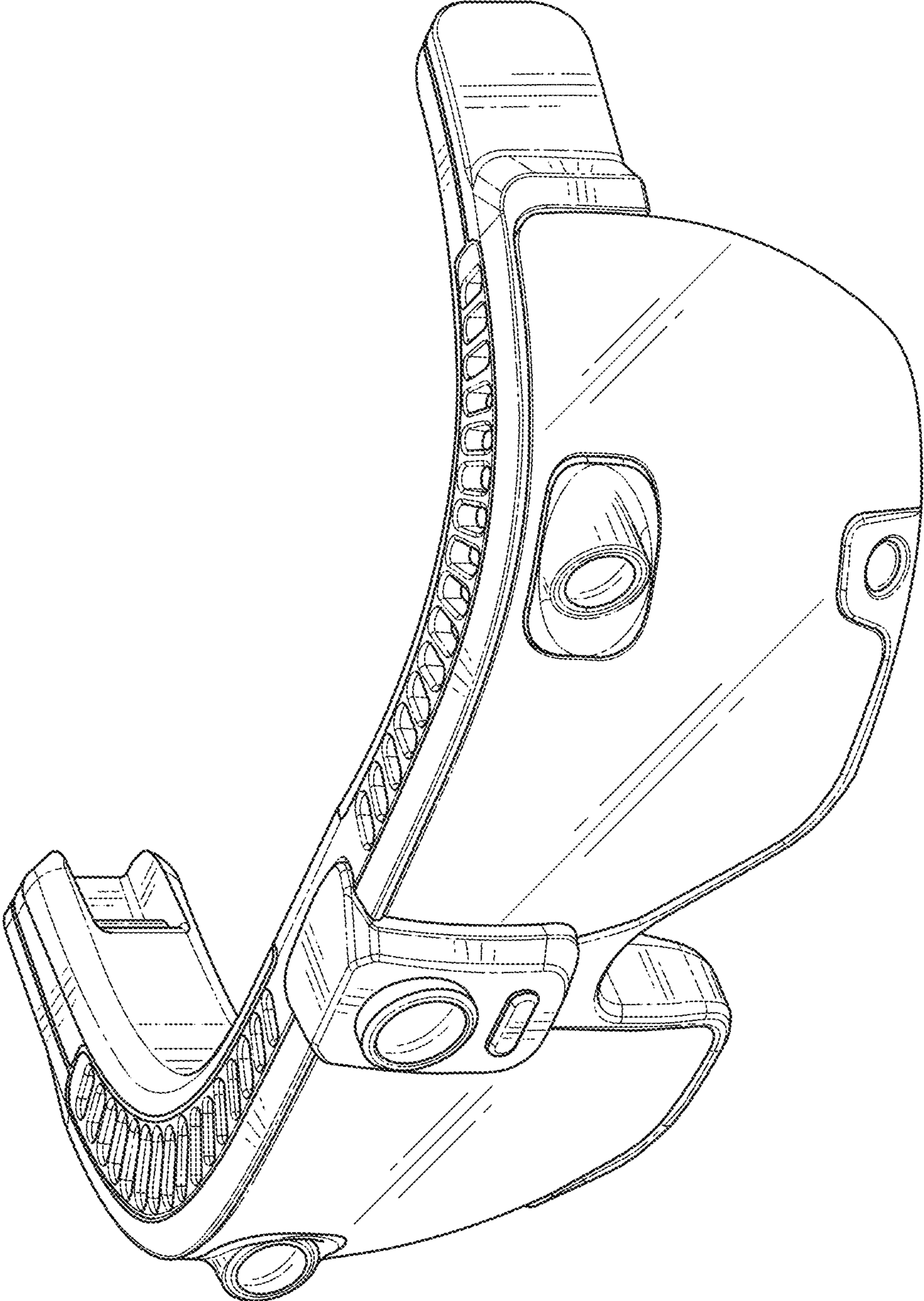


FIG. 1

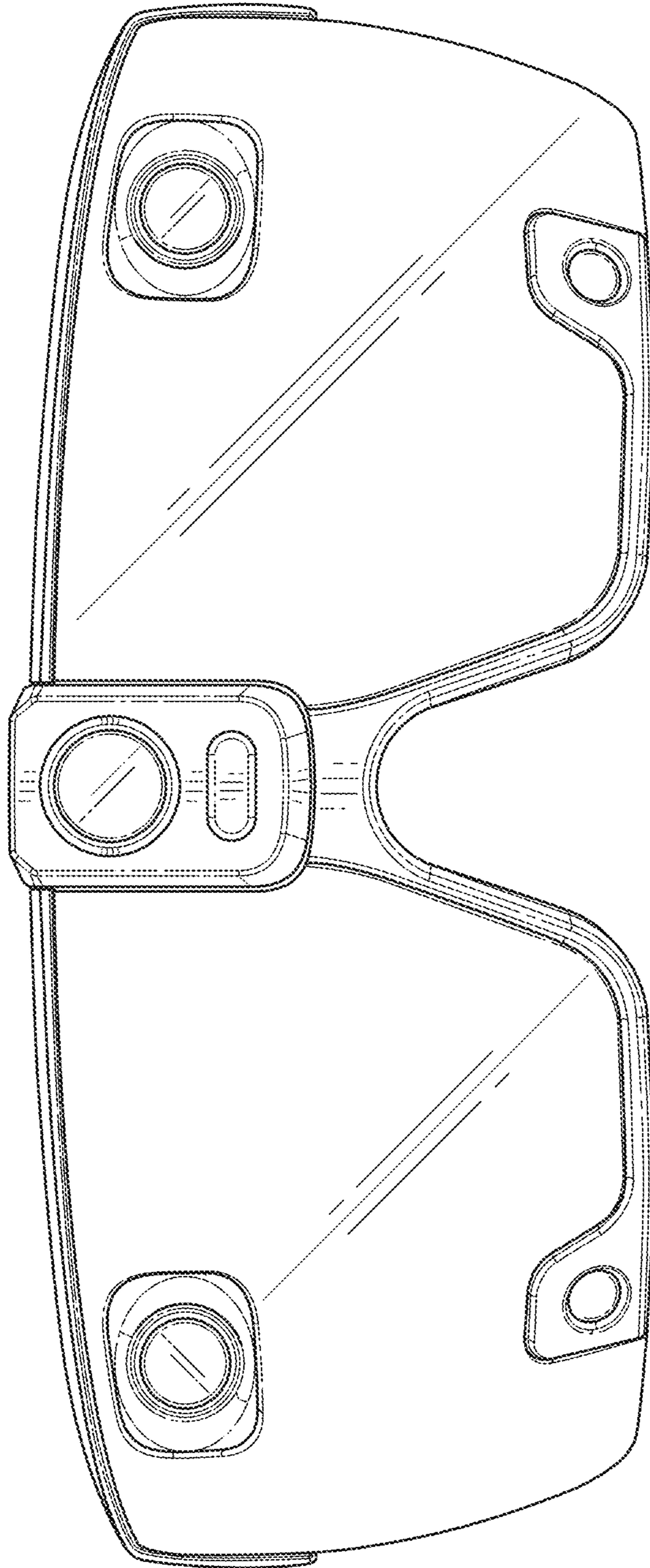


FIG. 2

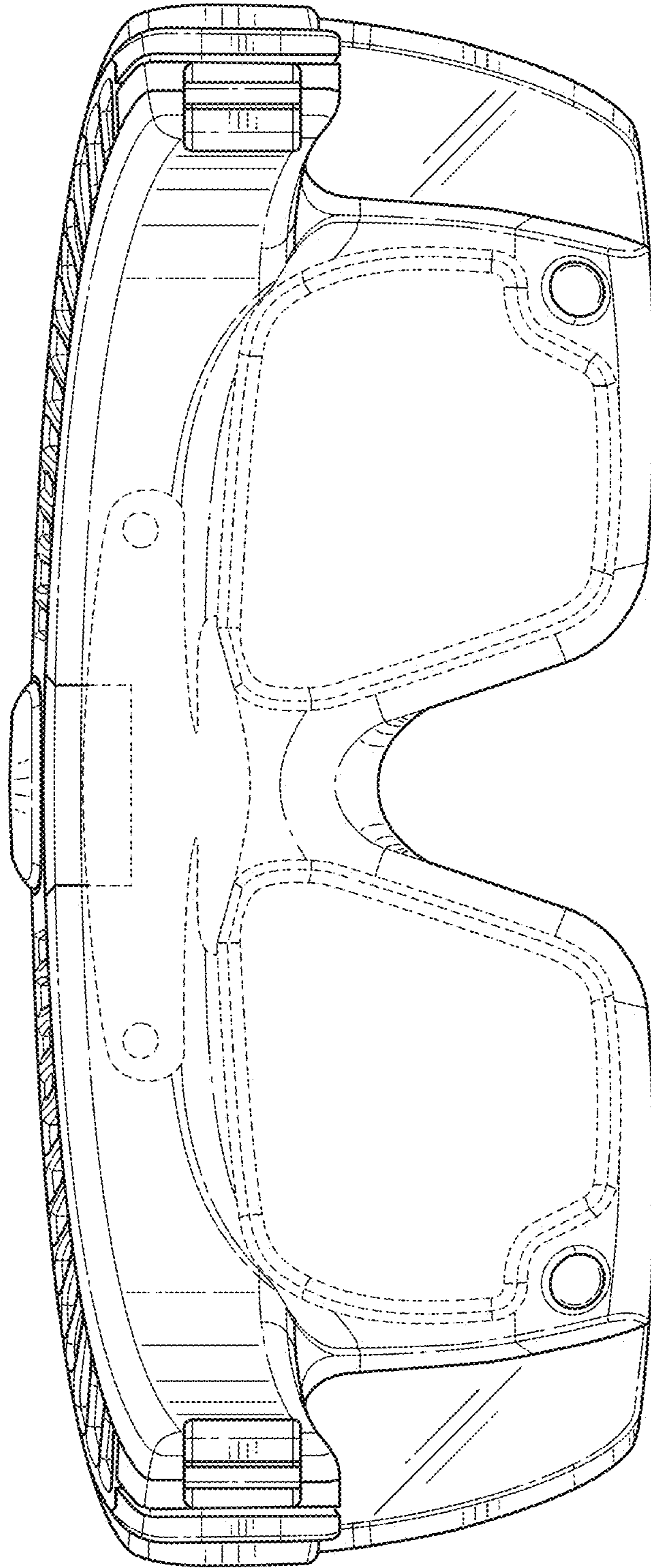


FIG. 3

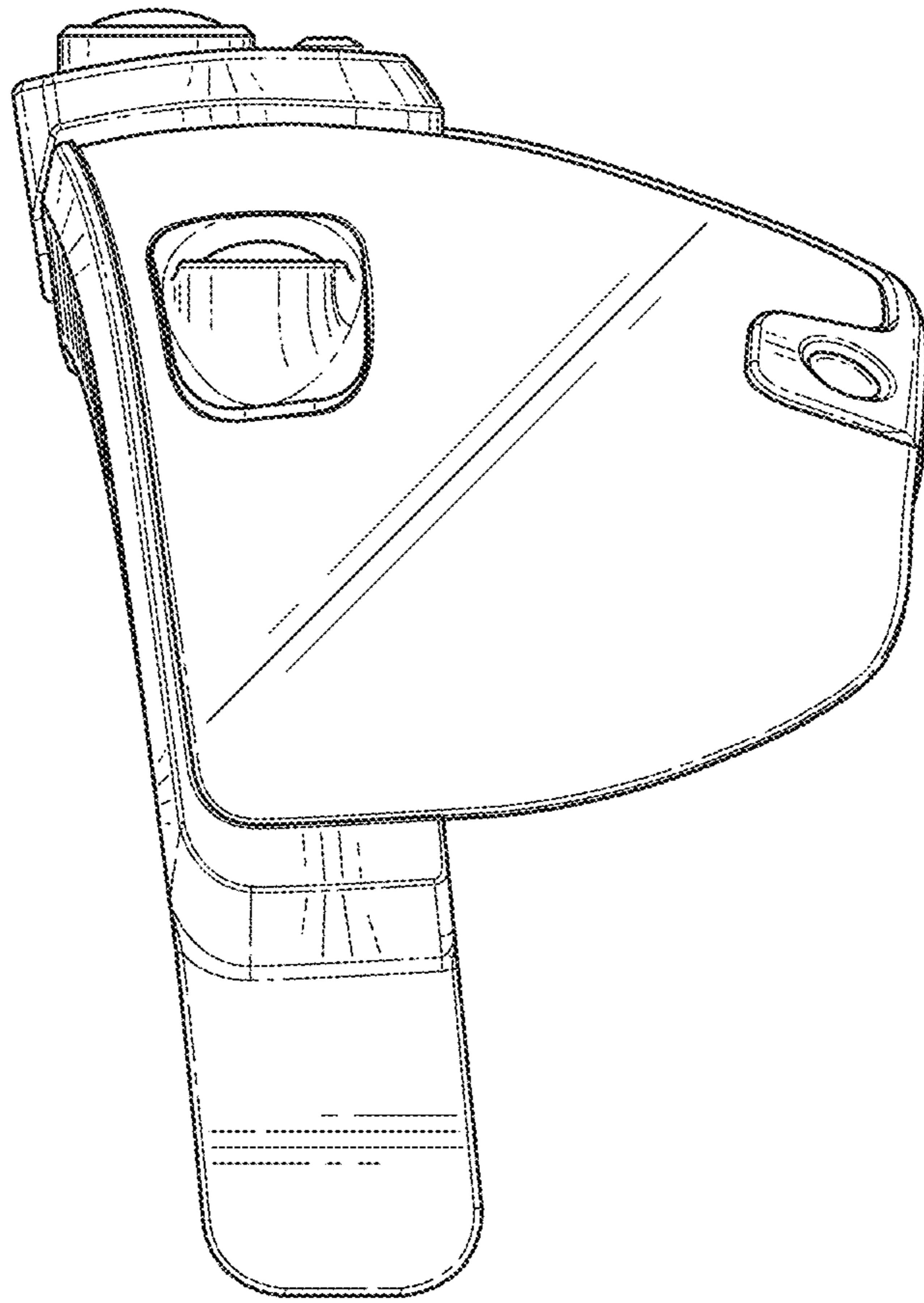


FIG. 4

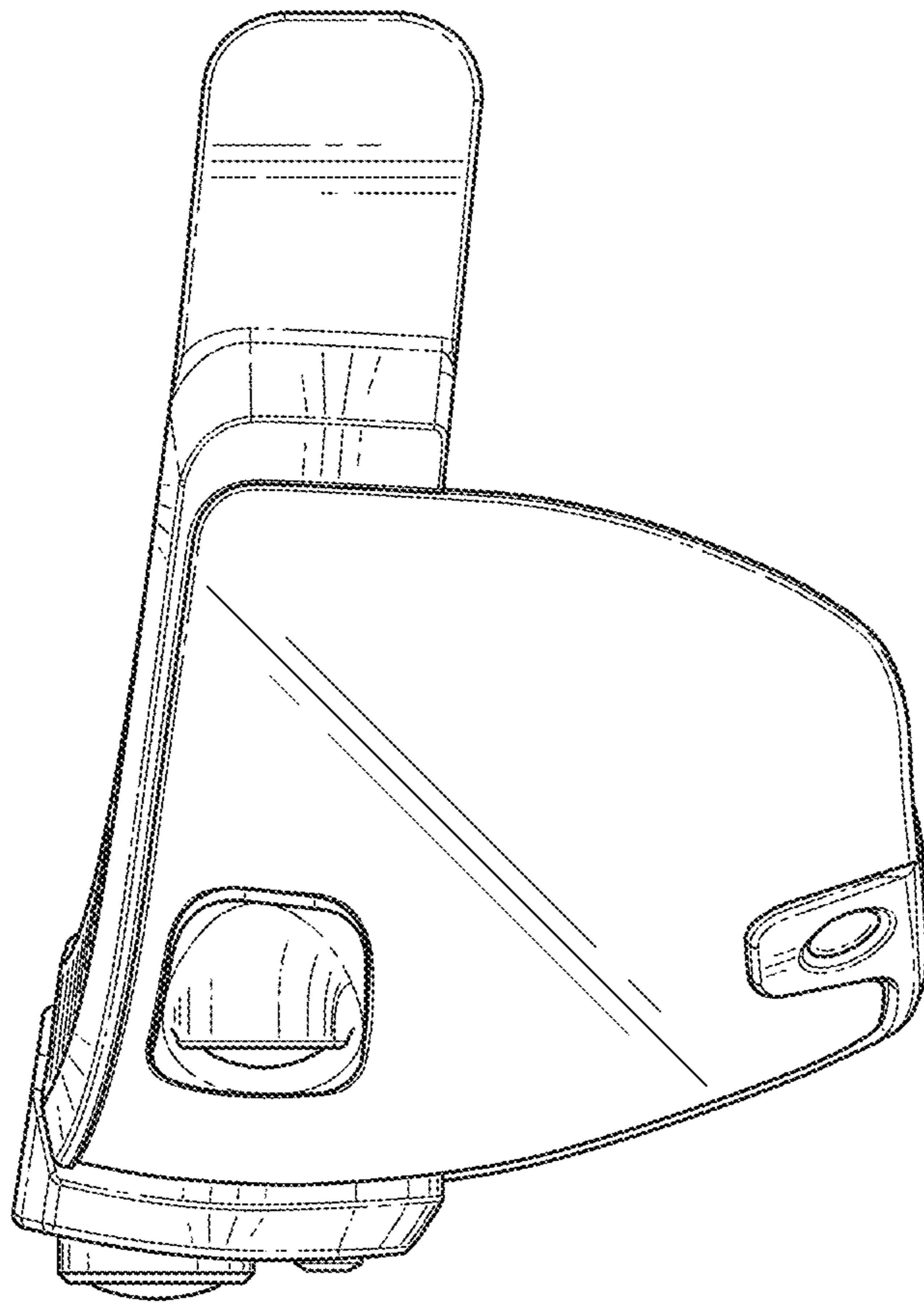


FIG. 5

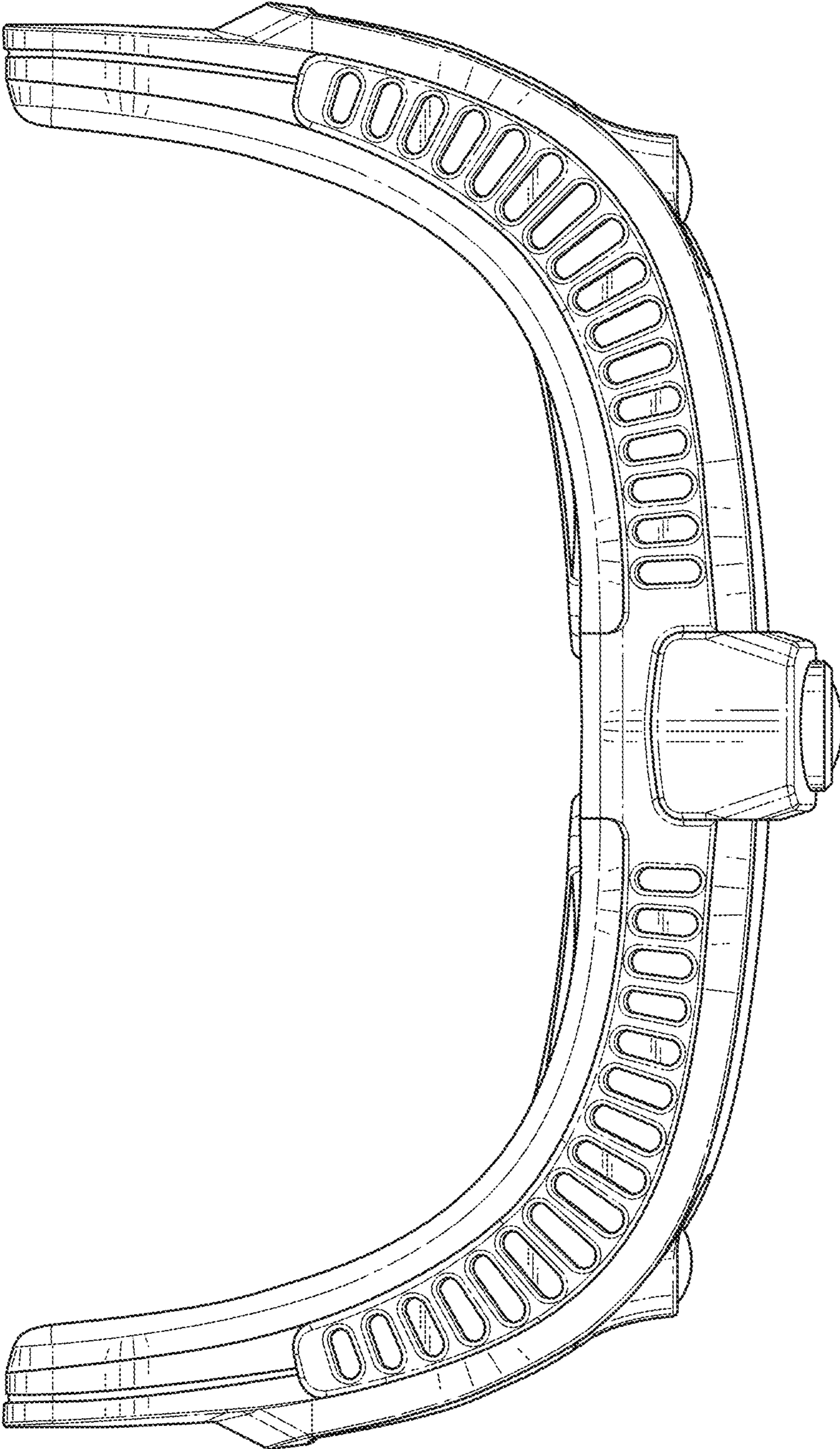


FIG. 6

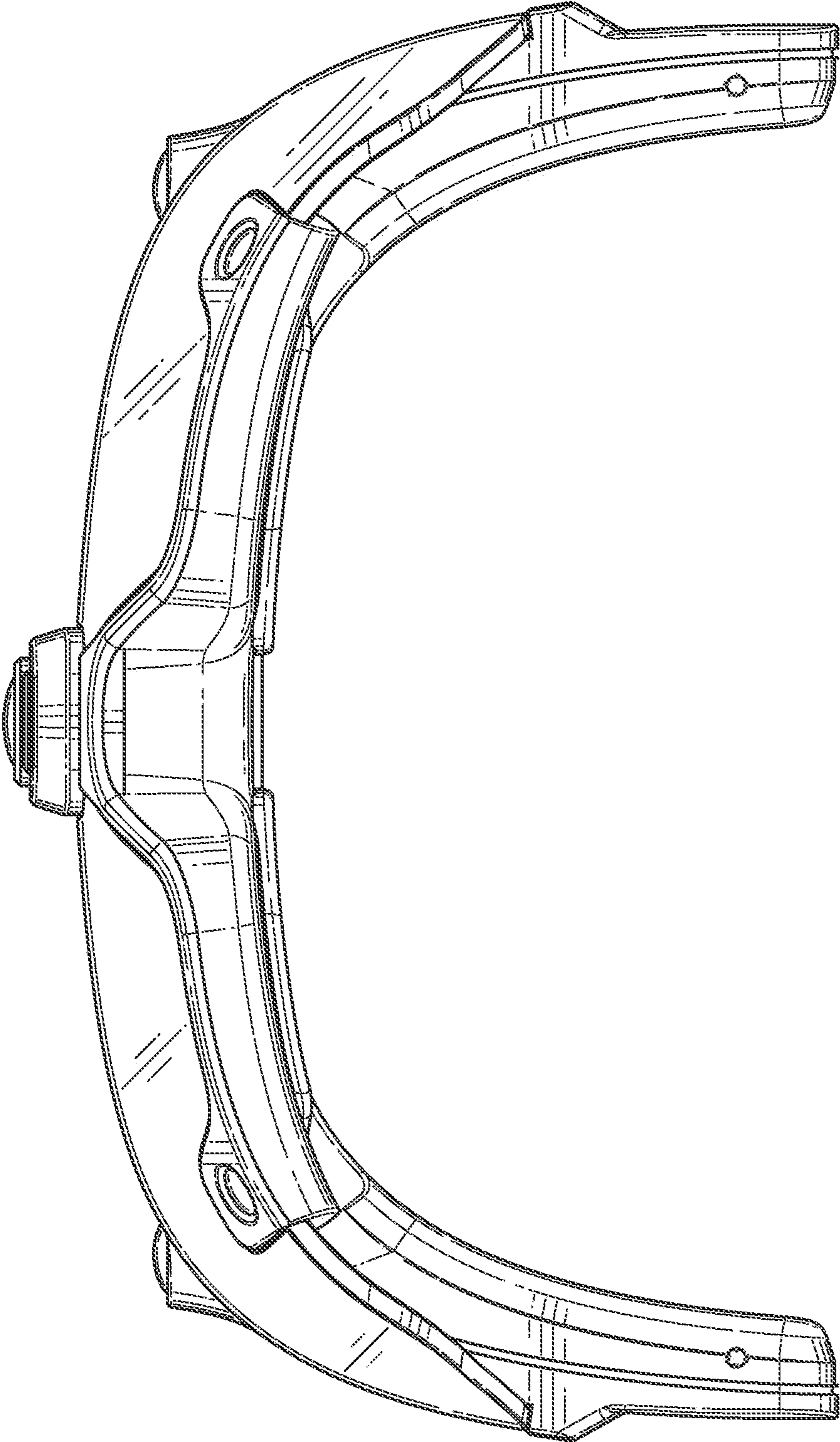


FIG. 7