



US00D921096S

(12) **United States Design Patent** (10) **Patent No.:** **US D921,096 S**
Chen (45) **Date of Patent:** **** Jun. 1, 2021**

(54) **SELFIE STICK**

(71) Applicant: **SHENZHEN HAOHUALIANHE TECHNOLOGY CO., LTD.**, Shenzhen (CN)

(72) Inventor: **Weihao Chen**, Shenzhen (CN)

(73) Assignee: **SHENZHEN HAOHUALIANHE TECHNOLOGY CO., LTD.**, Shenzhen (CN)

(**) Term: **15 Years**

(21) Appl. No.: **29/691,274**

(22) Filed: **May 15, 2019**

(51) **LOC (13) Cl.** **16-05**

(52) **U.S. Cl.**
USPC **D16/243**; D14/253; D16/244

(58) **Field of Classification Search**
USPC D16/219, 237-250; D14/224, 229, 238, D14/251, 253, 447, 451, 457
CPC G03B 17/56; G03B 17/561-566
See application file for complete search history.

(56) **References Cited**

U.S. PATENT DOCUMENTS

D368,731 S *	4/1996	Shen	D16/244
D717,360 S *	11/2014	Chun	D16/244
D765,650 S *	9/2016	Huang	D14/253
D787,499 S *	5/2017	Lee	D14/253
D803,932 S *	11/2017	Martin	D16/243
D806,780 S *	1/2018	Martin	D16/243
D829,808 S *	10/2018	Frisancho Vera	D16/245
D841,724 S *	2/2019	Huang	D16/243
D841,725 S *	2/2019	Frisancho Vera	D16/245
D851,163 S *	6/2019	Huang	D16/243

D852,872 S *	7/2019	Fang	D16/243
D852,873 S *	7/2019	Fang	D16/243
D860,298 S *	9/2019	Balmer	D16/244
D863,412 S *	10/2019	Liao	D16/245
D877,233 S *	3/2020	Li	D16/243
D883,369 S *	5/2020	Xia	D16/243
2018/0066792 A1 *	3/2018	Chen	F16M 13/00

OTHER PUBLICATIONS

ADYSS-A17, Self-timer integration of mobile Bluetooth supplementary lamp live broadcasting bracket, [online] Retrieved Sep. 11, 2020 from URL: <https://haohualianhe.manufacturer.globalsources.com/si/6008852864589/pdtl/Mobile-phone/1169978409/ADYSS-Selfie-light-Portable-bracket-Live-broadcast.htm>.*

* cited by examiner

Primary Examiner — Vy N Koenig

(74) *Attorney, Agent, or Firm* — Juan Carlos A. Marquez; Marquez IP Law Office, PLLC

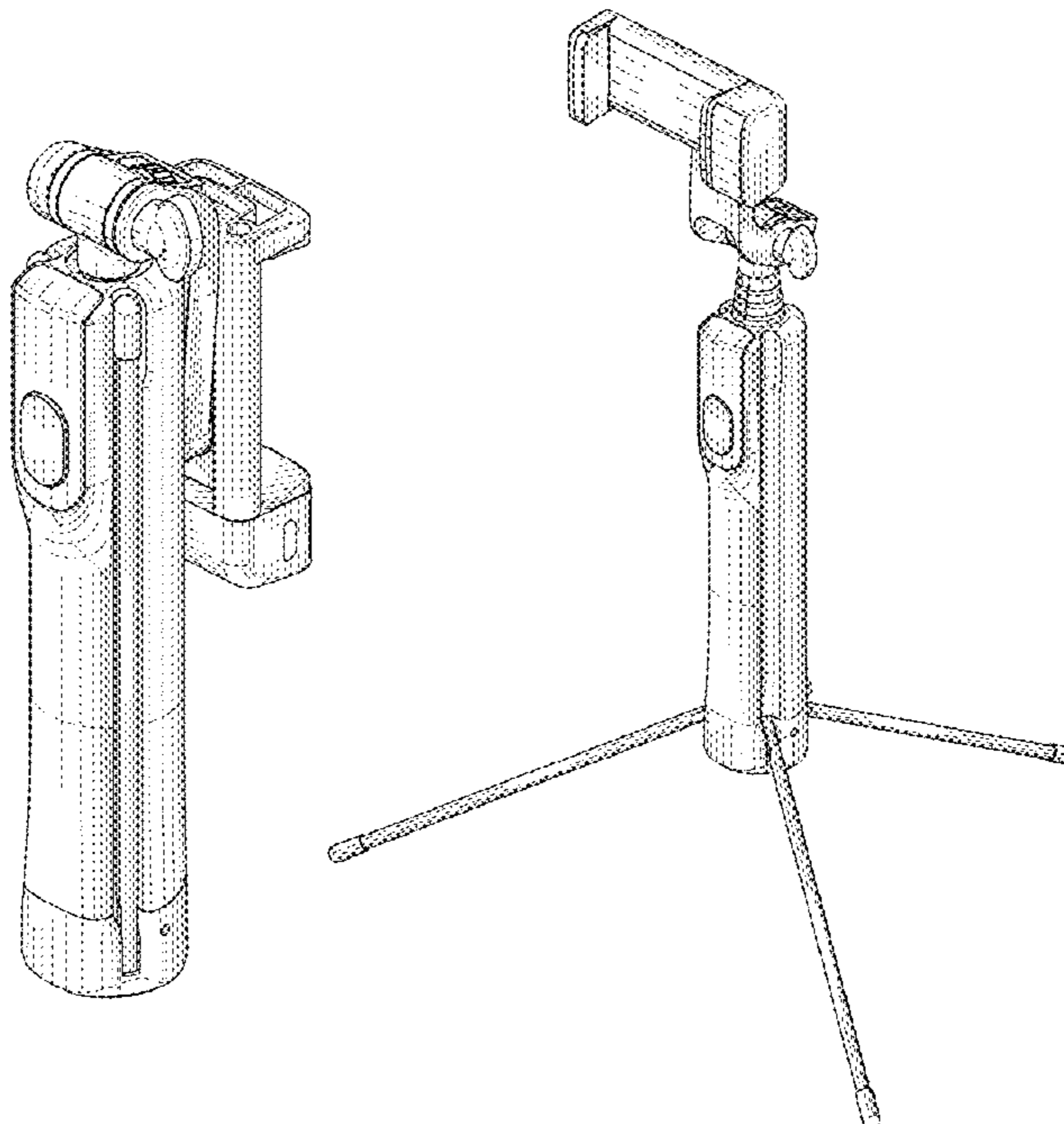
(57) **CLAIM**

The ornamental design for a selfie stick, as shown and described.

DESCRIPTION

FIG. 1 is a perspective view of a selfie stick showing my new design;
FIG. 2 is a front view thereof;
FIG. 3 is a rear view thereof;
FIG. 4 is a left-side view thereof;
FIG. 5 is a right-side view thereof;
FIG. 6 is a top view thereof;
FIG. 7 is a bottom view thereof; and,
FIG. 8 is a perspective view of the selfie stick set up.
The broken lines in the drawings depict portions of the selfie stick that form no part of the claimed design.

1 Claim, 7 Drawing Sheets



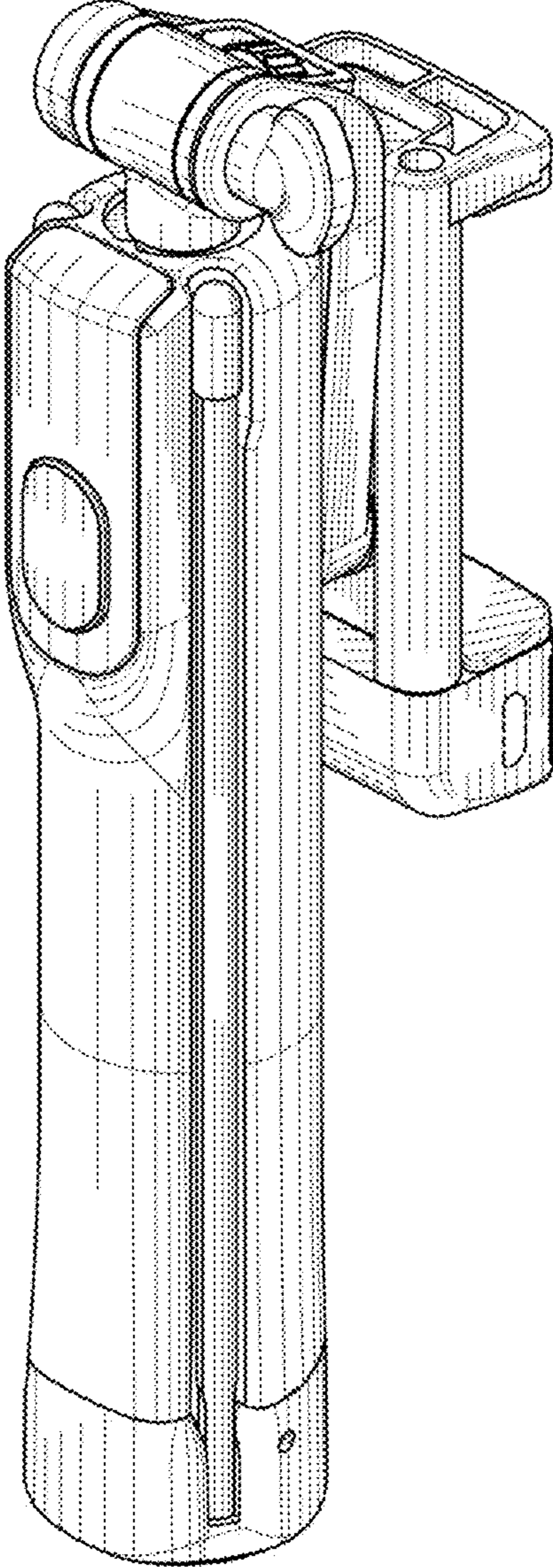


FIG. 1

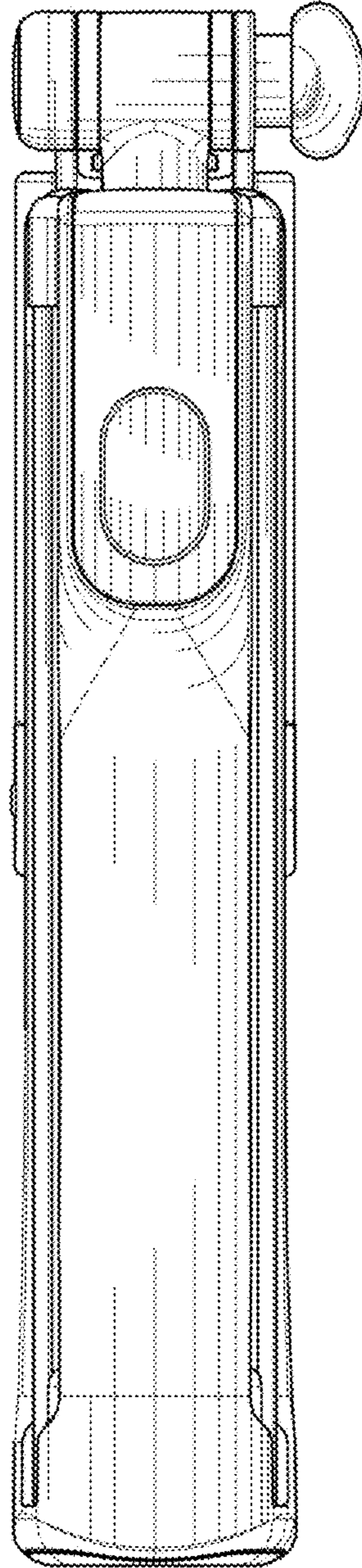


FIG. 2

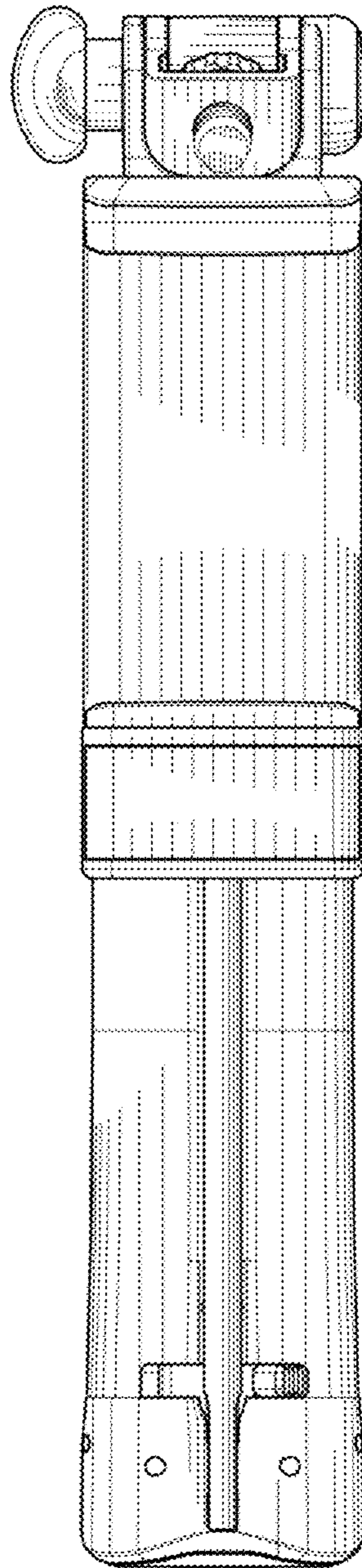


FIG. 3

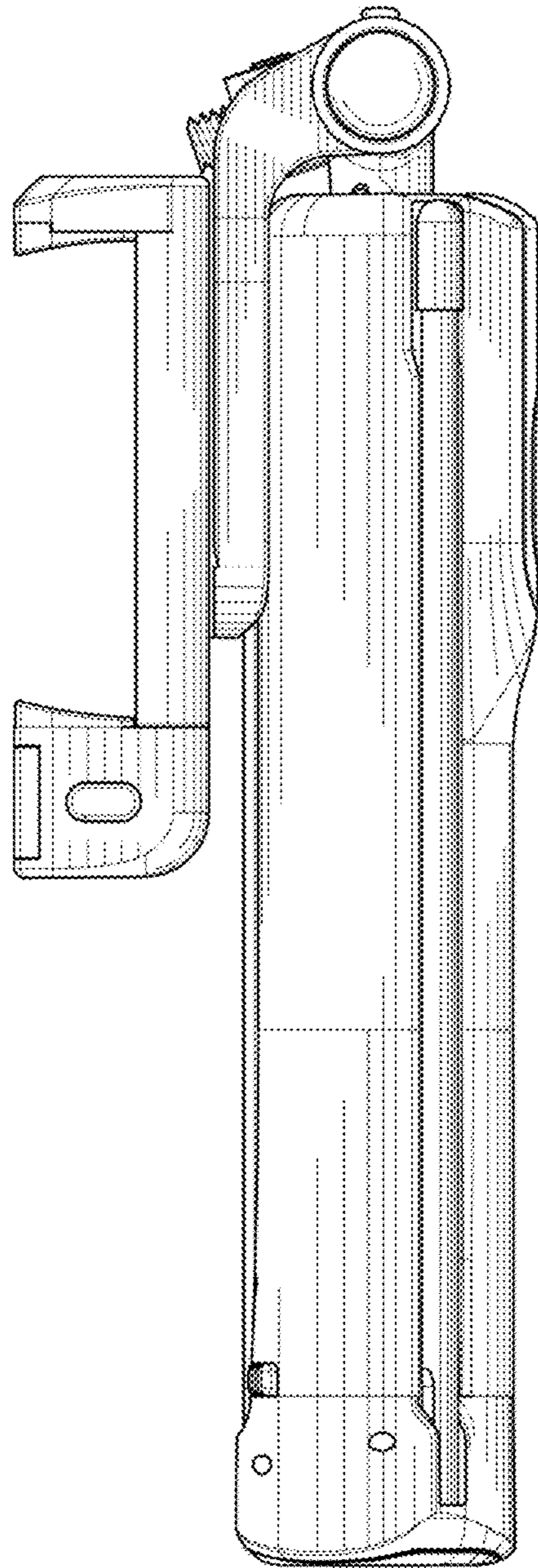


FIG. 4

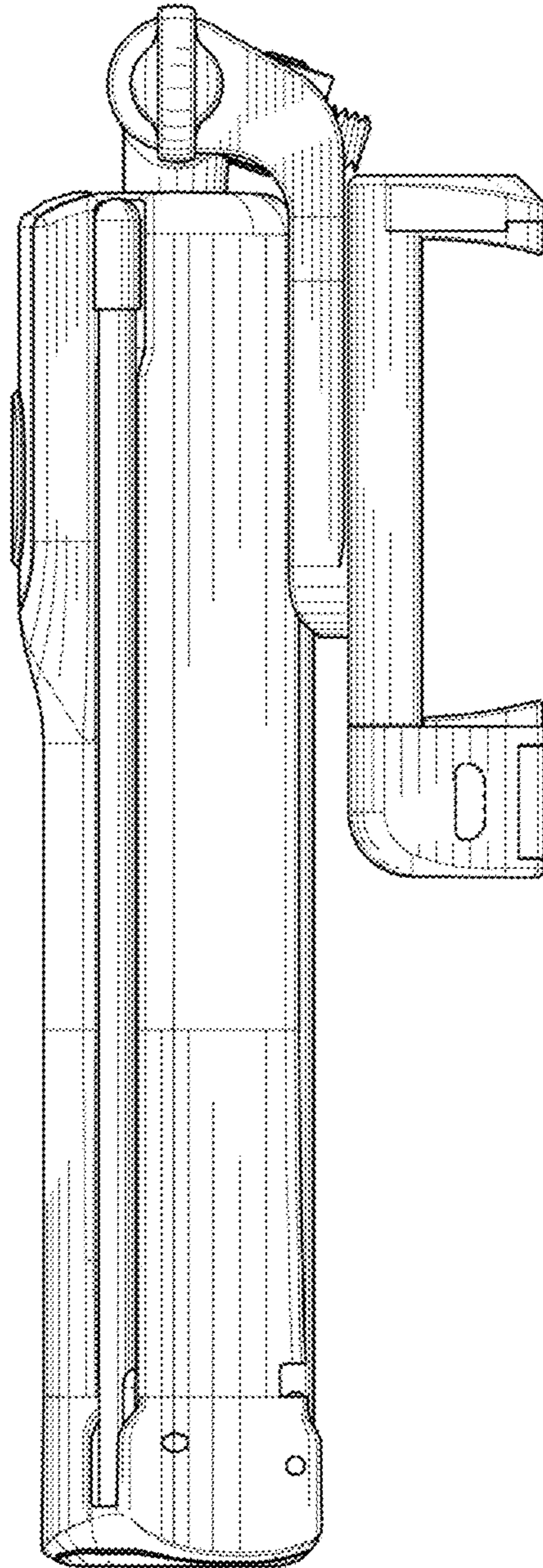


FIG. 5

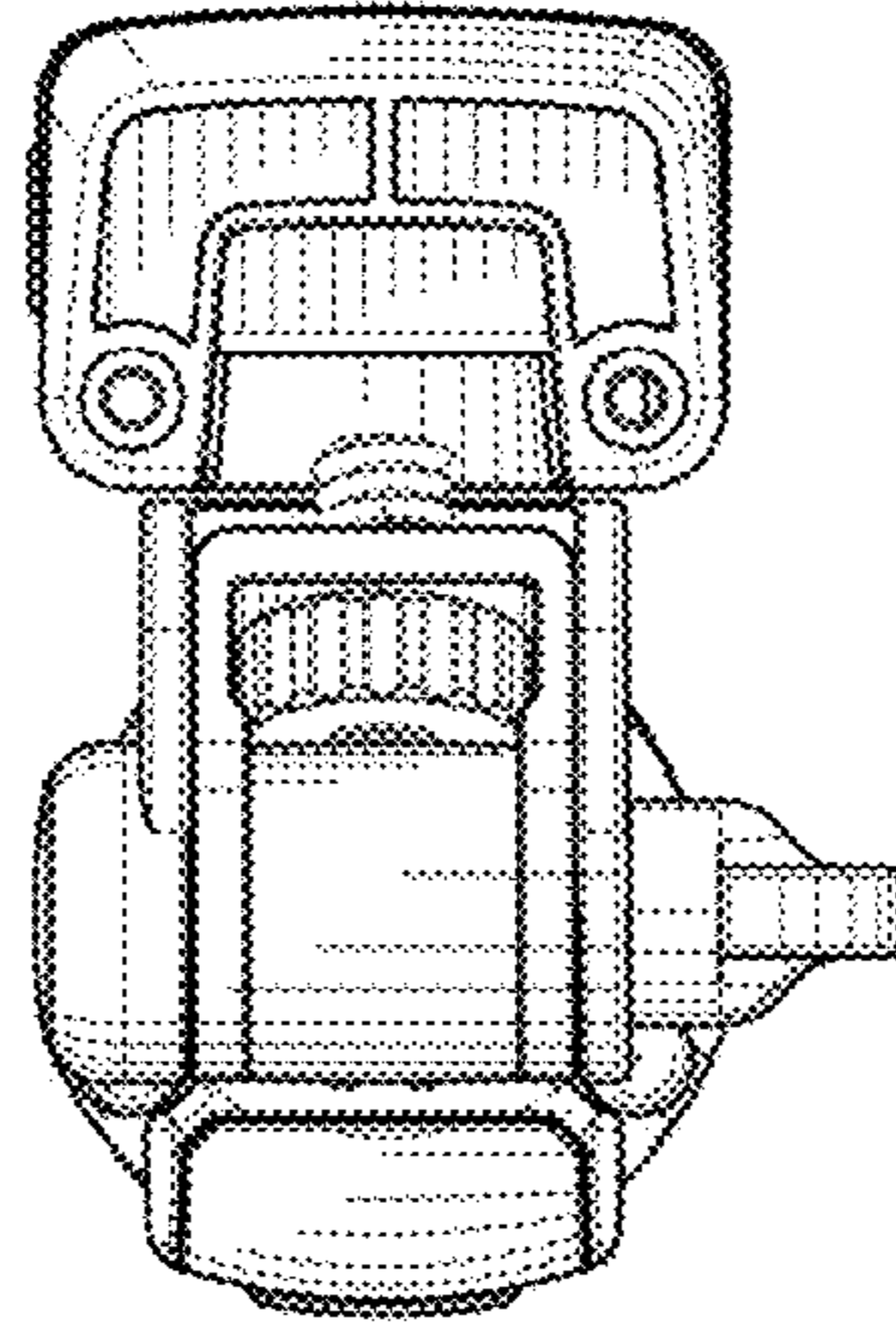


FIG. 6

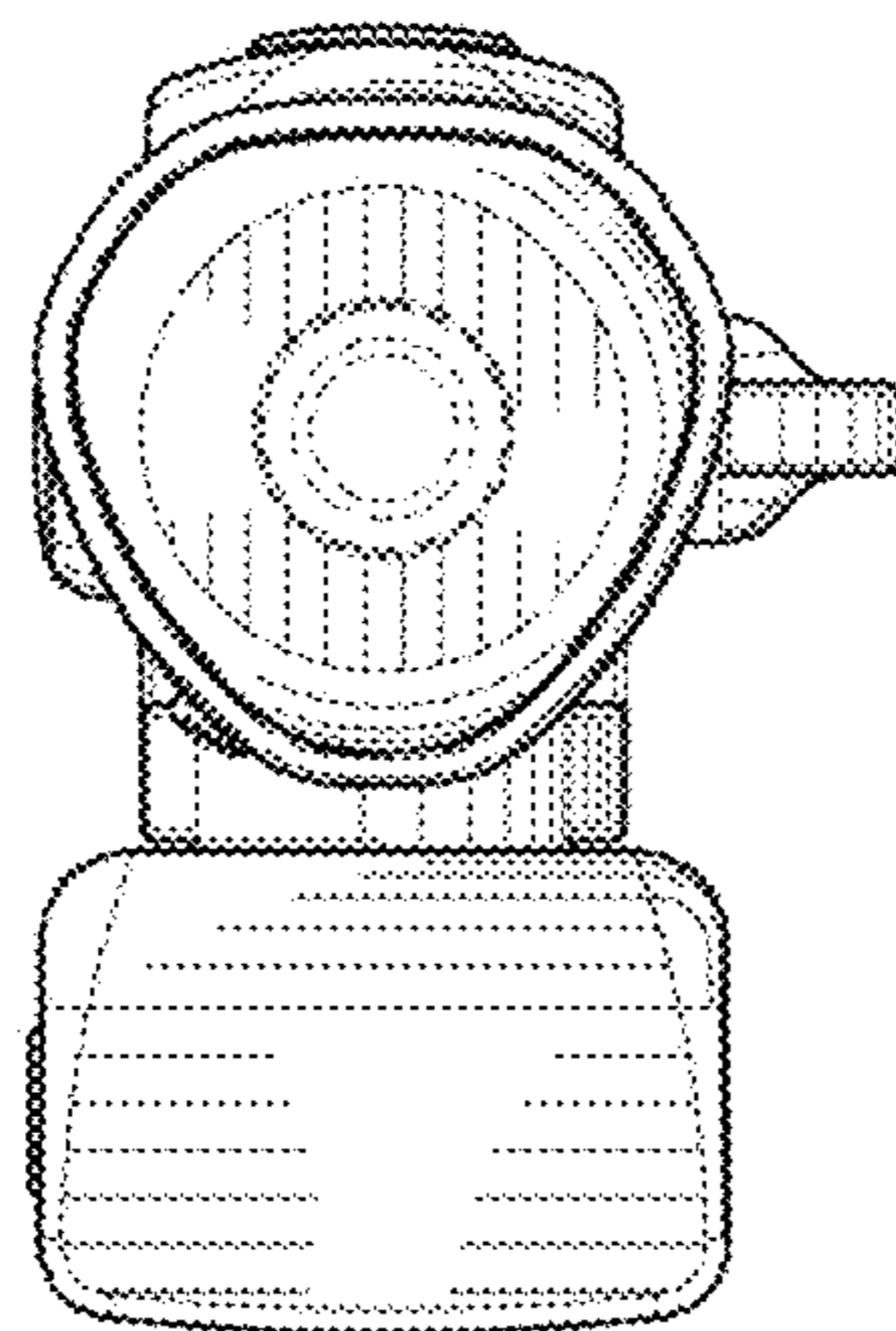


FIG. 7

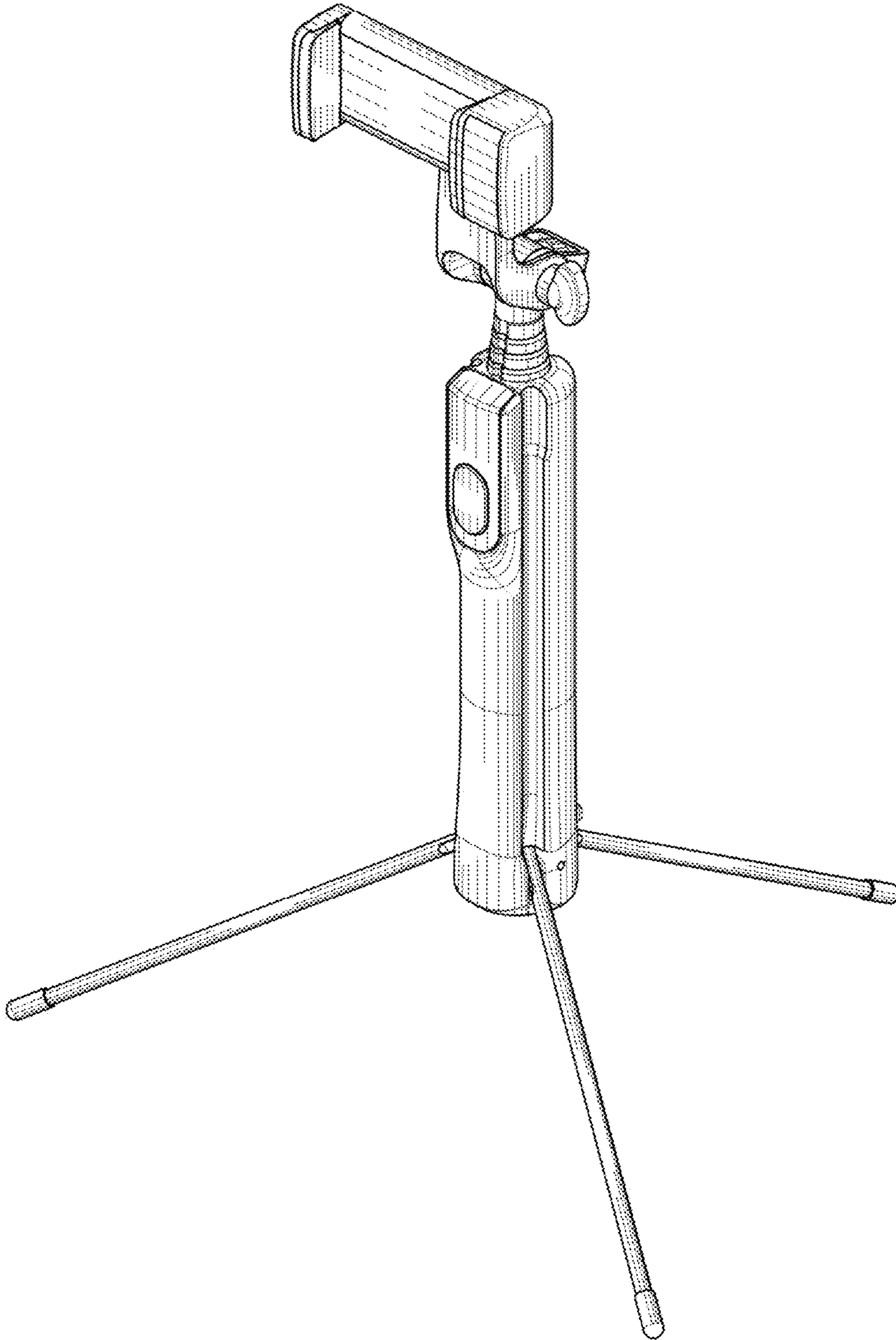


FIG. 8