



US00D921095S

(12) **United States Design Patent** (10) **Patent No.:** **US D921,095 S**  
**Alberstein et al.** (45) **Date of Patent:** **\*\* Jun. 1, 2021**

(54) **CAMERA MOUNT**

(71) Applicant: **GoPro, Inc.**, San Mateo, CA (US)  
(72) Inventors: **Scott Alberstein**, San Francisco, CA (US); **Bessy Liang**, San Jose, CA (US); **Daniel J. Coster**, San Francisco, CA (US)  
(73) Assignee: **GoPro, Inc.**, San Mateo, CA (US)  
(\*\*) Term: **15 Years**

(21) Appl. No.: **29/695,469**  
(22) Filed: **Jun. 19, 2019**  
(51) **LOC (13) Cl.** ..... **16-05**  
(52) **U.S. Cl.**  
USPC ..... **D16/242**  
(58) **Field of Classification Search**  
USPC ..... D16/219, 237–250; D8/354, 355, 363, D8/373, 382–383, 394–396; D14/224, D14/229, 238, 251, 253, 447, 451, 457  
CPC ..... F16M 11/06–10; F16M 11/14; G02B 7/00–002; G03B 17/56; G03B 17/561–566; H04N 5/2253–2254  
See application file for complete search history.

(56) **References Cited**

**U.S. PATENT DOCUMENTS**

247,671 A 9/1881 McCevver  
298,872 A 5/1884 May  
497,775 A 5/1893 Dickinson  
D162,989 S 4/1951 Rizzatti  
3,084,409 A 4/1963 Griffiths  
3,757,363 A 9/1973 Langlais  
4,741,283 A 5/1988 Conner

(Continued)

**FOREIGN PATENT DOCUMENTS**

DE 19520502 A1 12/1996  
JP 3083660 2/2002

**OTHER PUBLICATIONS**

GoPro Magnetic Swivel Clip for Select HERO and Max ATCLP-001 B&H. [online] Retrieved Sep. 18, 2020 from URL: [https://www.bhphotovideo.com/c/product/1542376-REG/gopro\\_atclp\\_001\\_magnetic\\_swivel\\_clip.html](https://www.bhphotovideo.com/c/product/1542376-REG/gopro_atclp_001_magnetic_swivel_clip.html).\*

(Continued)

*Primary Examiner* — Vy N Koenig

(74) *Attorney, Agent, or Firm* — Young Basile Hanlon & MacFarlane, P.C.

(57) **CLAIM**

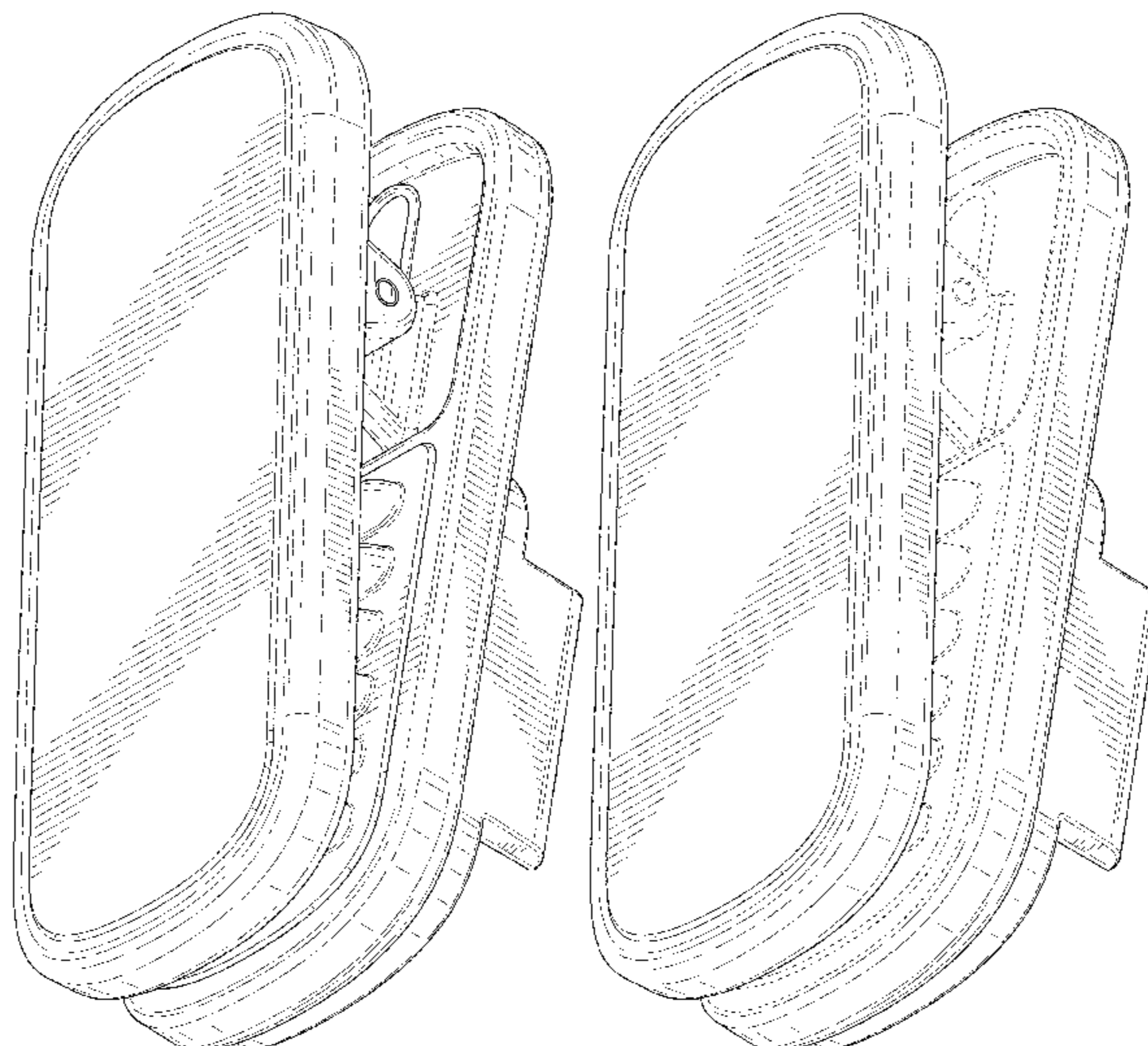
The ornamental design for a camera mount, as shown and described.

**DESCRIPTION**

FIG. 1 is a lower, rear, left perspective view of a first embodiment of a camera mount of our new design; FIG. 2 is an upper, front, right perspective view thereof; FIG. 3 is a rear plan view thereof; FIG. 4 is a front view thereof; FIG. 5 is a right view thereof; FIG. 6 is a left view thereof; FIG. 7 is a bottom view thereof; and FIG. 8 is a top view thereof. FIG. 9 is a lower, rear, left perspective view of a second embodiment of a camera mount of our new design; FIG. 10 is an upper, front, right perspective view thereof; FIG. 11 is a rear plan view thereof; FIG. 12 is a front view thereof; FIG. 13 is a right view thereof; FIG. 14 is a left view thereof; FIG. 15 is a bottom view thereof; and, FIG. 16 is a top view thereof.

The ornamental design which is claimed is shown in solid lines in the drawings. Broken lines in the drawings form no part of the claimed design. The broken lines of equal length (dash-dash lines) in the figures illustrate unclaimed features of the camera mount.

**1 Claim, 16 Drawing Sheets**



(56)

References Cited

U.S. PATENT DOCUMENTS

5,033,528 A 7/1991 Volcani  
 5,103,384 A 4/1992 Drohan  
 5,397,268 A 3/1995 Chang  
 5,398,176 A 3/1995 Ahuja  
 5,435,045 A 7/1995 Anscher  
 5,449,206 A 9/1995 Lockwood  
 5,702,175 A 12/1997 Chen  
 5,735,441 A 4/1998 Fujimoto  
 5,791,210 A 8/1998 Wolff  
 5,847,883 A 12/1998 Rispoli  
 D405,457 S 2/1999 Kawashima  
 D442,047 S 5/2001 Hicks  
 6,293,449 B1 9/2001 McGuire  
 D450,233 S 11/2001 Ward  
 6,328,295 B1 12/2001 Hanks  
 6,357,710 B1 3/2002 Fielden  
 6,581,889 B2 6/2003 Carpenter  
 6,626,210 B2 9/2003 Luetgen  
 6,681,971 B2 1/2004 Laverack  
 6,752,299 B2\* 6/2004 Shetler ..... A45F 5/02  
 224/197  
 6,799,356 B2 10/2004 Sanchez  
 6,840,485 B2 1/2005 Richter  
 6,842,951 B1 1/2005 Barre  
 6,847,394 B1 1/2005 Hansen  
 D512,906 S \* 12/2005 Wood ..... D8/395  
 6,983,930 B1 1/2006 La  
 D514,434 S \* 2/2006 Mariano ..... D8/395  
 7,120,461 B2 10/2006 Cho  
 7,128,297 B2 10/2006 Lee  
 D574,226 S \* 8/2008 Wolff ..... D8/395  
 7,422,184 B2 9/2008 Carnevali  
 D584,406 S \* 1/2009 Veedfald ..... A61M 5/1418  
 D24/128  
 7,533,906 B2 5/2009 Luetgen  
 D593,609 S \* 6/2009 Blau ..... D19/65  
 7,766,313 B2 8/2010 Panosian  
 7,798,452 B1 9/2010 Wessells  
 D625,970 S 10/2010 Tinius  
 7,861,985 B2 1/2011 Galvin  
 7,891,615 B2 2/2011 Bevirt  
 7,926,774 B1 4/2011 Wilson  
 D665,006 S 8/2012 Green  
 D667,724 S \* 9/2012 Mangano ..... D8/395  
 8,297,566 B2 10/2012 Bevirt  
 8,602,662 B1 12/2013 Mans  
 8,727,290 B1 5/2014 De  
 8,740,160 B2 6/2014 Bevirt  
 8,857,775 B1 10/2014 Clearman  
 D731,055 S \* 6/2015 Hyde ..... D24/143  
 9,161,110 B1 10/2015 Patsis  
 9,389,491 B2 7/2016 Clearman  
 D764,567 S 8/2016 Bennett  
 9,407,980 B1\* 8/2016 Cheng ..... A45F 5/02  
 D794,437 S \* 8/2017 Zinser ..... D8/395  
 D796,945 S \* 9/2017 Stokeley ..... D8/395  
 D798,939 S 10/2017 Costa  
 D798,940 S 10/2017 Costa  
 9,904,148 B1 2/2018 Druker  
 D823,925 S \* 7/2018 Hatcher ..... D16/242  
 D826,632 S \* 8/2018 Breit ..... D7/396.2  
 D859,506 S \* 9/2019 Huang ..... D16/237  
 10,492,593 B2\* 12/2019 Mainini ..... A45F 5/02  
 10,736,407 B1\* 8/2020 Jin ..... H04M 1/04  
 2004/0089778 A1 5/2004 Valentine  
 2004/0163216 A1 8/2004 Simonson  
 2004/0211868 A1 10/2004 Holmes  
 2008/0093516 A1 4/2008 Bevirt  
 2008/0283697 A1 11/2008 Darrow  
 2009/0003821 A1 1/2009 Son  
 2010/0078536 A1 4/2010 Galvin  
 2010/0171007 A1 7/2010 Doll  
 2010/0171009 A1 7/2010 Lin  
 2010/0220992 A1 9/2010 Bevirt  
 2011/0031359 A1 2/2011 Lu

2011/0042530 A1 2/2011 Phillips  
 2011/0061286 A1 3/2011 Wang  
 2011/0192951 A1 8/2011 Gooch  
 2011/0260022 A1 10/2011 Lin  
 2013/0184033 A1 7/2013 Willenborg  
 2013/0221169 A1 8/2013 Gooch  
 2014/0356048 A1 12/2014 Chou  
 2015/0108306 A1 4/2015 Chuang  
 2015/0286115 A1 10/2015 Koch  
 2016/0355205 A1 12/2016 Upton  
 2016/0362066 A1 12/2016 Lee

OTHER PUBLICATIONS

Backpack Clip Buckle Mount for GoPro Hero 4, 4 Session, 3+ 3 2 (2PCS). [online] Retrieved Oct. 22, 2020 from URL: <https://www.dx.com/p/backpack-clip-buckle-mount-for-gopro-hero-4-4-session-3-3-2-camera-black-2pcs-2058737.html#.X5HqUtpKhaQ>.  
 Fat Cat M-DR Dual-Cam Rec-Mount Backpack Clip Mount for GoPro—Black, [online] Retrieved Oct. 22, 2020 from URL: <https://www.dx.com/p/fat-cat-m-dr-dual-cam-rec-mount-clip-backpack-clip-mount-for-gopro-hero-3-3-2-1-black-2042931.html#.X5Hqu9pKhaQ>.  
 Revo 360° Clip with Quick Mount for GoPro. [online] Retrieved Oct. 22, 2020 from URL: [https://www.bhphotovideo.com/c/product/1117128-REG/revo\\_ac\\_mqc360\\_360\\_degree\\_clip\\_with.html](https://www.bhphotovideo.com/c/product/1117128-REG/revo_ac_mqc360_360_degree_clip_with.html).  
 Clamp Flag Co., The Clamp Flag Company, Can be Retrieved at <URL:<http://www.clampflag.com/>>, Archived on web.archive.org on Sep. 29, 2003, 4 Pages.  
 Clamp Flag Co., The Clamp Flag in Action!, Can be Retrieved at <URL:<http://www.clampflag.com/flag%20in%20action.htm>>, Archived on web.archive.org on Nov. 18, 2003, 4 Pages.  
 Custom Photo Manufacturing, Inc., 'Light Support,' Last Modified Jan. 2, 2007, 12 Pages, [Archived on Web.Archive.org], Can be retrieved from <URL:[https://web.archive.org/web/20070627225605/http://www.cpmdelta1.com/light\\_support.htm](https://web.archive.org/web/20070627225605/http://www.cpmdelta1.com/light_support.htm)>.  
 Dinkum Systems, Inc., Trademark Information for ActionPod, Serial No. 85379756, Mar. 6, 2012, 31 Pages.  
 Handlebar / Seatpost / Pole Mount, [online] Retrieved May 16, 2017 from URL: <<http://shop.gopro.com/mounts/handlebarseatpostpolemount/AGTSM001.html>> 5 pages.  
[https://www.youtube.com/watch?time\\_continue=8&v=Ew3gyXquRPU&feature=emb\\_logo](https://www.youtube.com/watch?time_continue=8&v=Ew3gyXquRPU&feature=emb_logo) (screen shot @ 11sec mark).  
 Instructables, French Flag / Freedom Flag, Can be Retrieved at <URL:<https://web.archive.org/web/20100417102439/http://www.instructables.com/id/French-Flag-Freedom-Flag>>, Archived on web.archive.org on Apr. 17, 2010, 5 Pages.  
 Lockwood Products, Inc., Loc-Line, The Original Modular Hose System, Aug. 1, 2012, 24 Pages.  
 Lockwood Products, Inc., Loc-Line, The Original Modular Hose System, Jul. 1, 2008, 22 Pages.  
 McMaster-Carr Supply Company, Catalog No. 114, Spring Clamps (2533-2534), Thumb Screws (3039-3047), Jan. 1, 2008, (Copy Unavailable).  
 McMaster-Carr Supply Company, Clamp and Thumbscrew, 1 Page, Jul. 1, 2009.  
 McMaster-Carr Supply Company, Thumb Screws, No. 3061, 1 Page, Publication date unknown.  
 ModularHose.com, Applications—Assistive Technology, Can be Retrieved at <URL:<http://www.modularhose.com/applications/Assistive-Technology>> Archived on web.archive.org on Oct. 27, 2009, 1 Page.  
 ModularHose.com, Loc-Line ½, Can be Retrieved at <URL:<http://www.modularhose.com/Loc-Line-12-System/12-miscellaneous>>, Archived on web.archive.org on Jun. 22, 2009, 2 Pages.  
 ModularHose.com, Loc-Line World, Can be Retrieved at <URL:<http://www.modularhose.com/Loc-Line.htm>>, Archived on web.archive.org on Jun. 16, 2009, 3 Pages.  
 ModularHose.com, Parts and Supplies, Can be Retrieved at <URL:<http://www.modularhose.com/applications/mh-Parts-and-Supplies>>, Archived on web.archive.org on Nov. 6, 2009, 1 Page.

(56)

**References Cited**

## OTHER PUBLICATIONS

Nasty Clamps, Nasty Clamp Facebook Timeline, 133 Pages, Retrieved from the internet on Aug. 29, 2014, Can be retrieved at <URL:https://www.facebook.com/pages/Nasty-Clamps/144803988805?sk=timeline&ref=page\_internal>.

Nasty Clamps, Nasty Clamp Photo 1, Publication date unknown, Printed on Oct. 2, 2014, 1 Page.

Nasty Clamps, Nasty Clamp Photo 2-a, Publication date unknown, Printed on Oct. 2, 2014, 1 Page. Copy 2.

Nasty Clamps, Nasty Clamp Photo 2-b, Publication date unknown, Printed on Oct. 2, 2014, 1 Page.

Nasty Clamps, Nasty Clamp Photo 3, Publication Date Unknown, Printed on Oct. 2, 2014, 1 Page.

Nasty Clamps, Nasty Clamp Photo 4, Publication Date Unknown, Printed on Oct. 2, 2014, 1 Page.

Nasty Clamps, NastyClamps.com! Home of the Flexible Photography Clamp! Retrieved from the internet on Aug. 27, 2014, Can be retrieved at <URL:http://www.nastyclamps.com/>, 4 Pages.

Office Action for U.S. Appl. No. 13/998,332, dated Mar. 25, 2014, 17 Pages.

Pashnit.Com, 'GoPro Idea: Creative Mounting Idea for Your GoPro!,' 13 Pages, [Archived on Web.Archive.Org on Feb. 15, 2010] [online] Retrieved from the internet <URL:http://web.archive.org/web/20100215200233/http://www.pashnit.com/product/go\_pro/gopro\_mounting.html>.

PCT International Search Report and Written Opinion for PCT/US2014/046551, dated Aug. 28, 2014, 10 Pages.

Photojojo, '3 Tricks to Turn a Spring Clamp Into Your Best Photo Accessory,' [HTML Version] Aug. 6, 2009, 3 Pages. Copy 2.

Photojojo, '3 Tricks to Turn a Spring Clamp Into Your Best Photo Accessory,' [HTML Version] Aug. 6, 2009, 3 Pages. Copy 3.

Photojojo, '3 Tricks to Turn a Spring Clamp Into Your Best Photo Accessory,' [HTML Version] Aug. 6, 2009, 3 Pages. Copy 4.

Photojojo, '3 Tricks to Turn a Spring Clamp Into Your Best Photo Accessory,' [HTML Version] Aug. 6, 2009, 3 Pages. Copy 1.

Photojojo, '3 Tricks to Turn a Spring Clamp Into Your Best Photo Accessory,' [PDF Version] Aug. 6, 2009, 4 Pages, Can be retrieved at <URL:http://content.photojojo.com/tips/spring-clamp-diy-camera-mount/>.

Pro Handlebar / Seatpost / Pole Mount, [online] Retrieved May 16, 2017 from URL: <http://shop.gopro.com/mounts/pro-handlebar-seatpost-pole-mount/AMHSM-001.html> 5 pages.

Progue, D., 'The iPhone Matches Most of Its Hype,' The New York Times, Jun. 27, 2007, 3 Pages, Can be Retrieved online <URL:http://www.nytimes.com/2007/06/27/technology/circuits/27pogue.html?\_r=0&pagewanted=print>.

Schofield, J., Feeling Nasty! [Video] Can be retrieved at <URL:http://www.the47.com/gearbox/feeling-nasty.html>, Oct. 30, 2009, 25 Pages.

Schofield, J., Nasty Clamps, Feeling Nasty!, Can be retrieved at <URL:http://www.the47.com/gearbox/feeling-nasty.html>, Oct. 30, 2009, 10 Pages.

Shear-Loc Products, 'Shear-Loc Quick Reference Guide,' Publication date unknown, 2 Pages.

Sorrel, C., 'Nasty Clamp: DIY Flash-Stand Goes Commercial,' Wired Magazine, Jul. 15, 2009, 5 Pages.

Tirosh, U., 'Nasty Lil' Lighting Thing', DIYPhotography, Can be retrieved at <URL:http://www.diyphotography.net/nasty-lil-lighting-thing/>, Jul. 14, 2009, 14 Page.

U.S. Appl. No. 61/303,655, filed Feb. 11, 2010, 49 Pages.

USA Gear Roll and Handlebar Action Camera Mount with Tripod Screw and Action Style Mounting, [online] Retrieved May 16, 2017 from URL: <https://www.amazon.com/USA%C2%ADHandlebar%C2%ADAction%C2%ADCamera%C2%ADMounting/dp/B00PH0E7RK/ref=sr\_1\_8?s=electronics&ie=UTF8&qid=1494940951&sr=1%C2%AD8&keywor%E2%80%A6> 8 pages.

UW-Lighting, halogen Hand-Held Lights, 2006, 7 Pages, Can be retrieved at <URL:http://www.aditech-uw.com/aditechweb/iniluminacion.htm> Archived on web.archive.org on May 16, 2006, Retrieved from the internet <URL:https://web.archive.org/web/20060516081227/http://www.aditech-uw.-com/aditechweb/iniluminacion...>.

Wimberley, Inc., Wimberley Professional Photo Gear—The Plamp, Archived on web.archive.org on Oct. 15, 2009, 6 Pages, Can be Retrieved at <URL:http://web.archive.org/web/20081015002348/http://www.tripodhead.com/products/plamp-main.cfm>.

\* cited by examiner

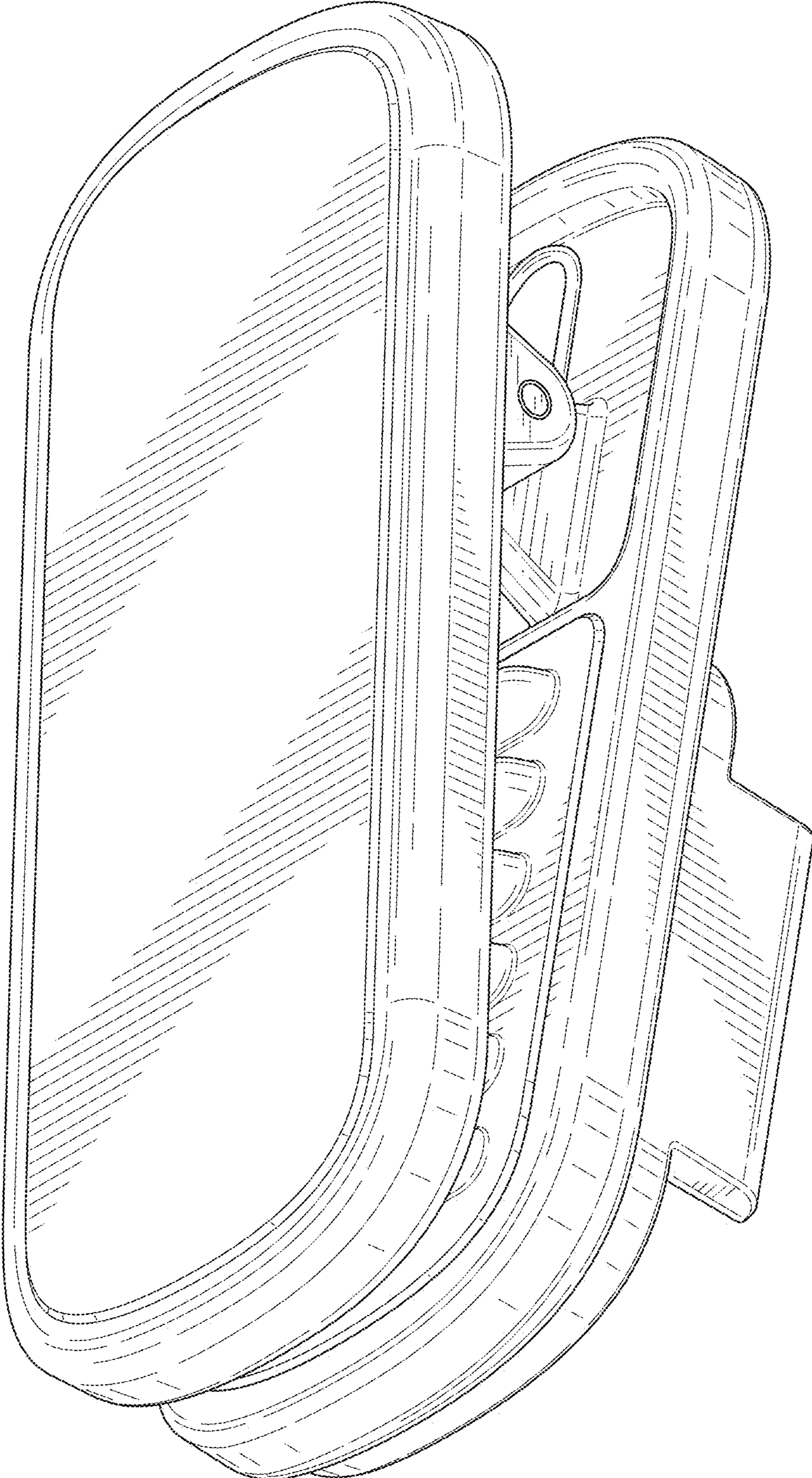


FIG. 1

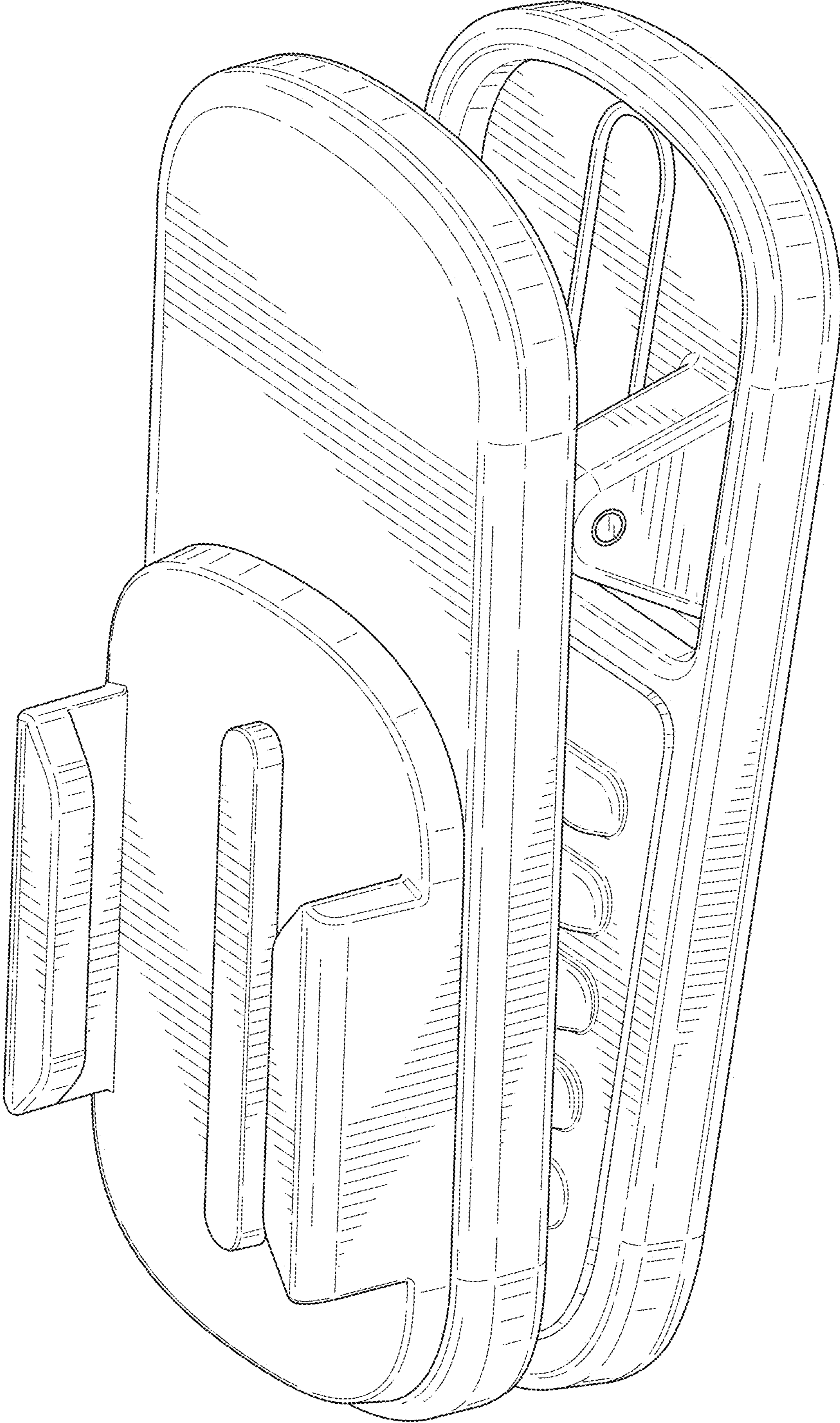


FIG. 2

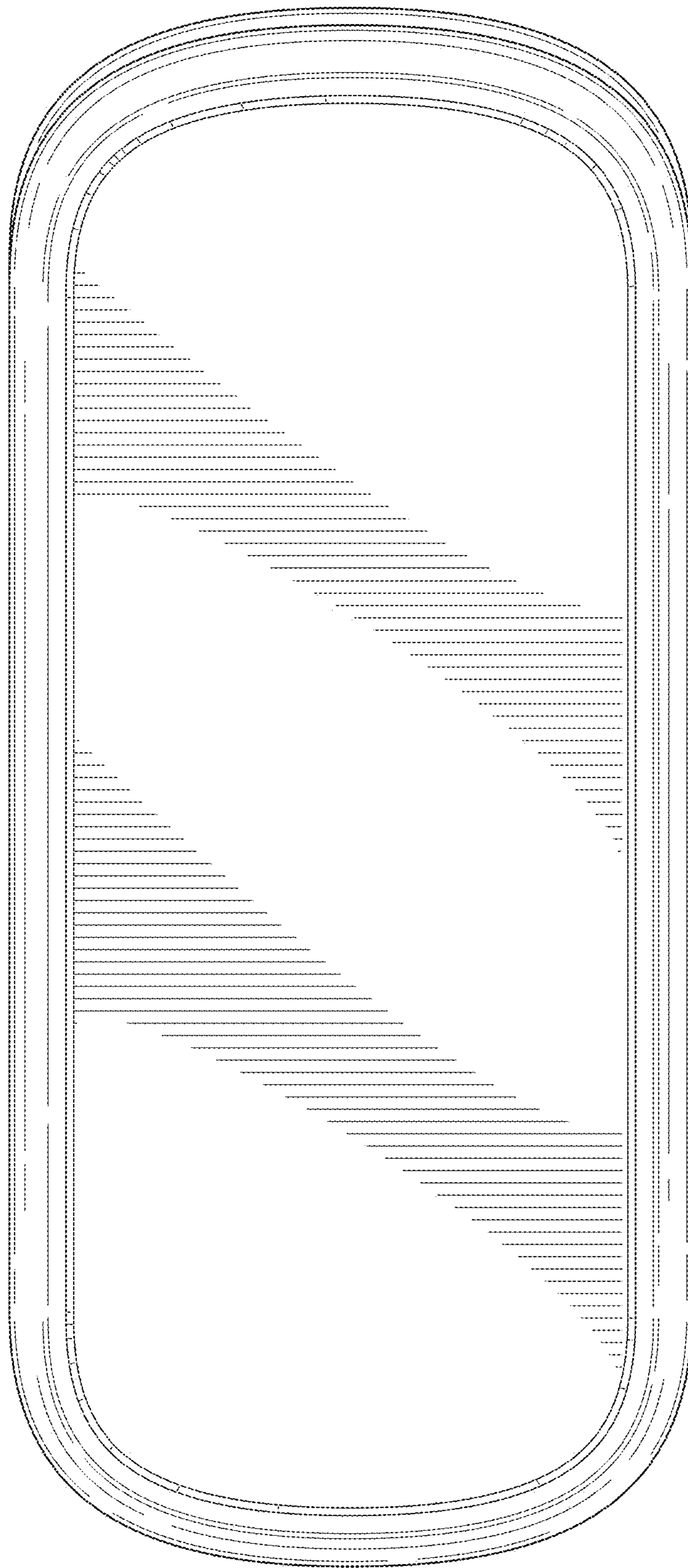


FIG. 3

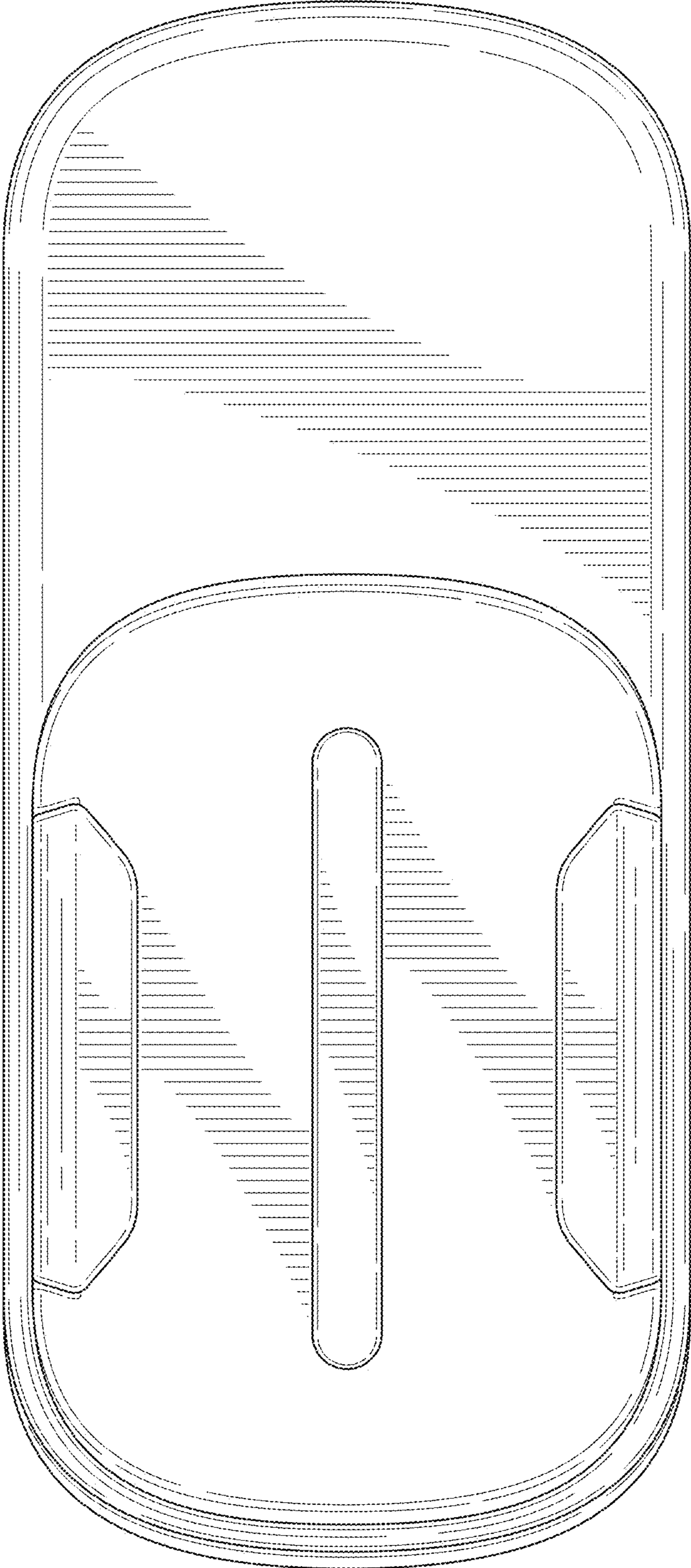


FIG. 4

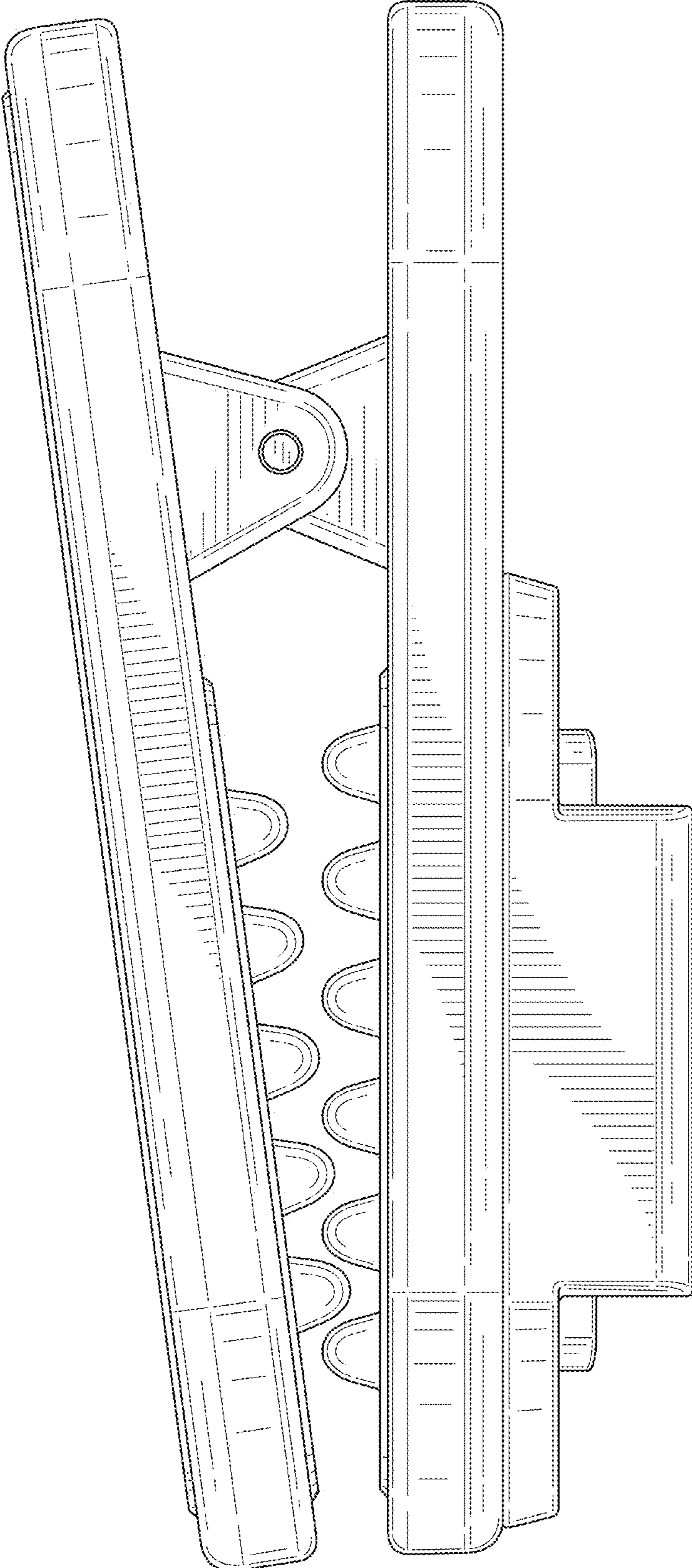


FIG. 5



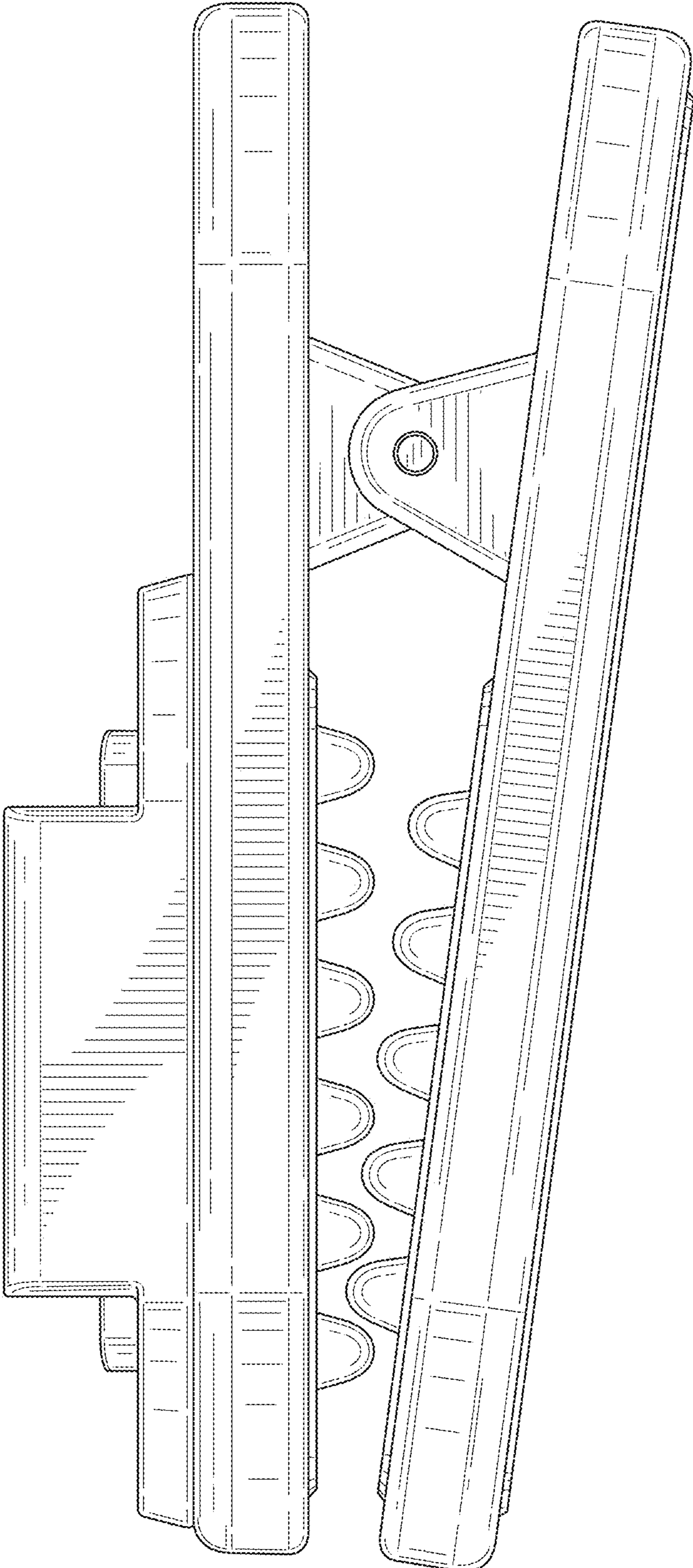


FIG. 6

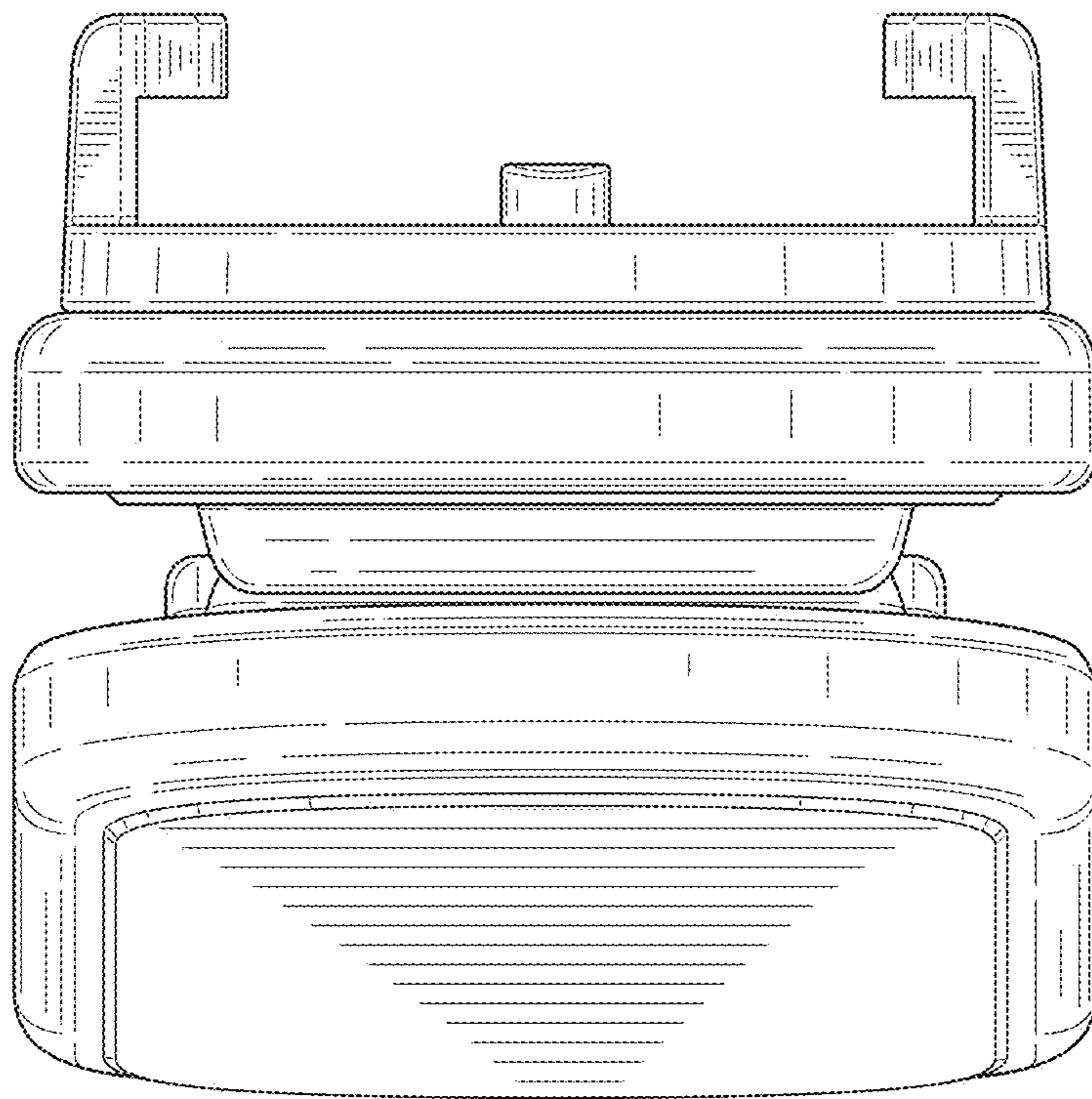


FIG. 7

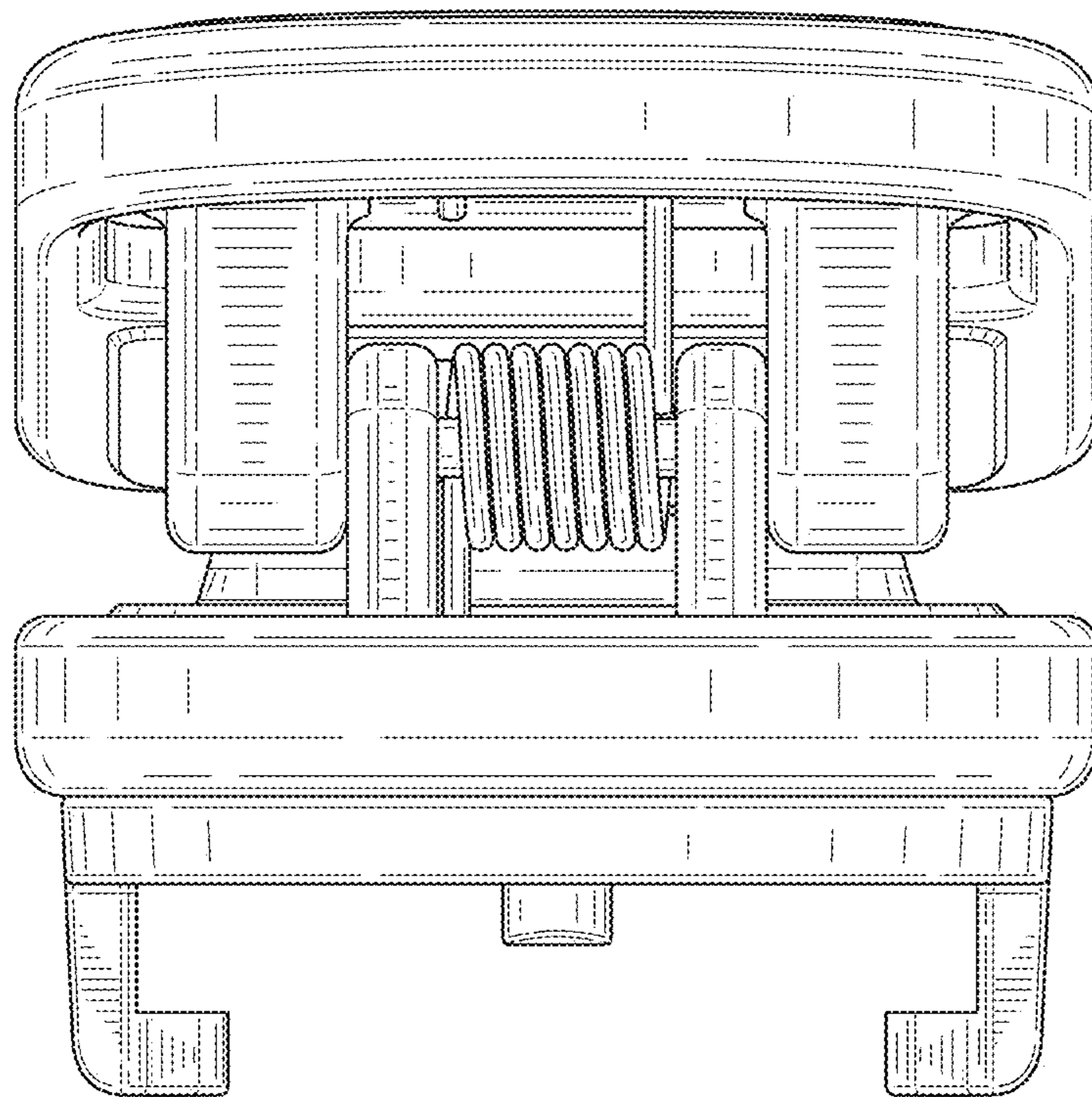


FIG. 8

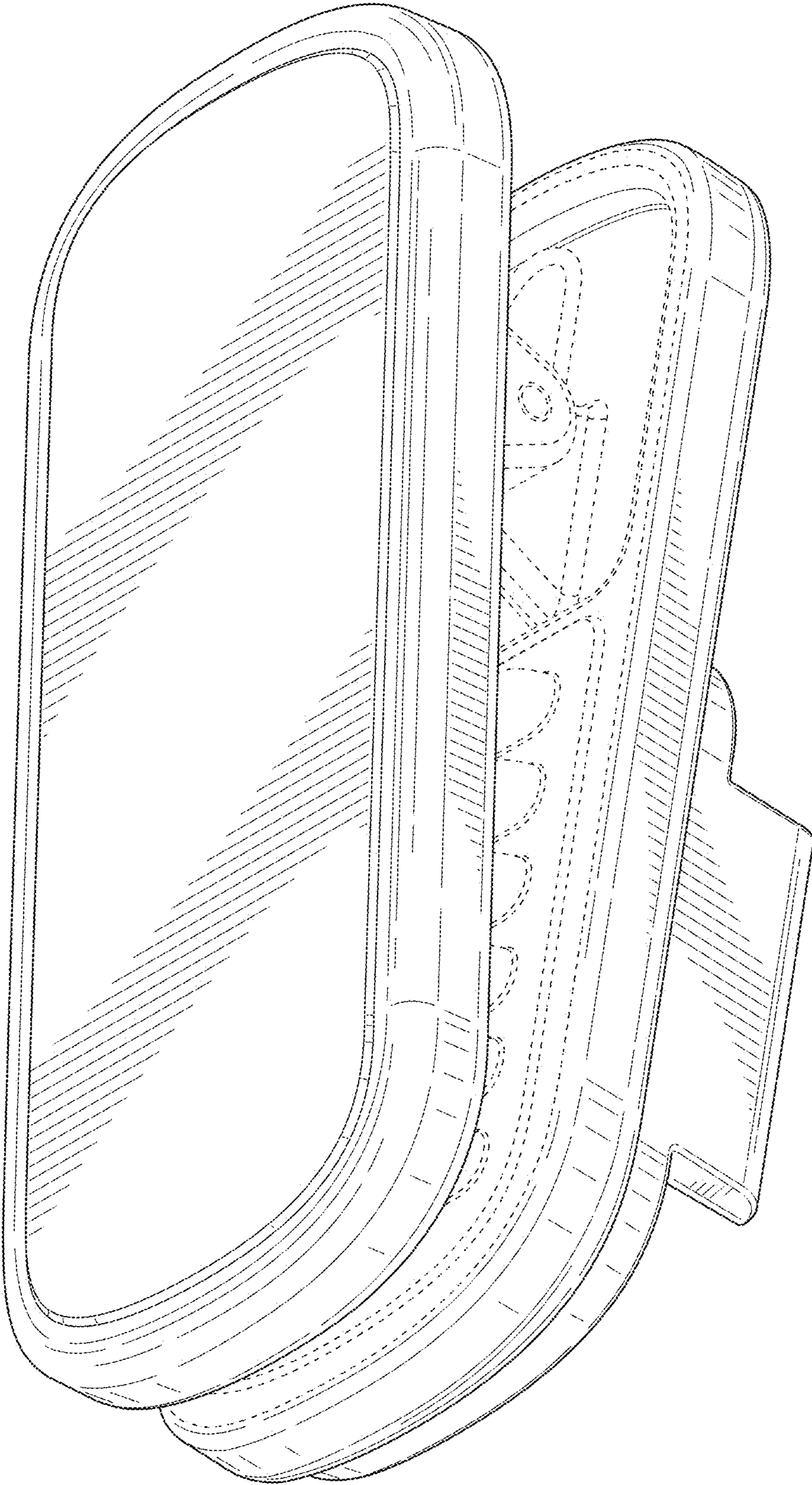


FIG. 9

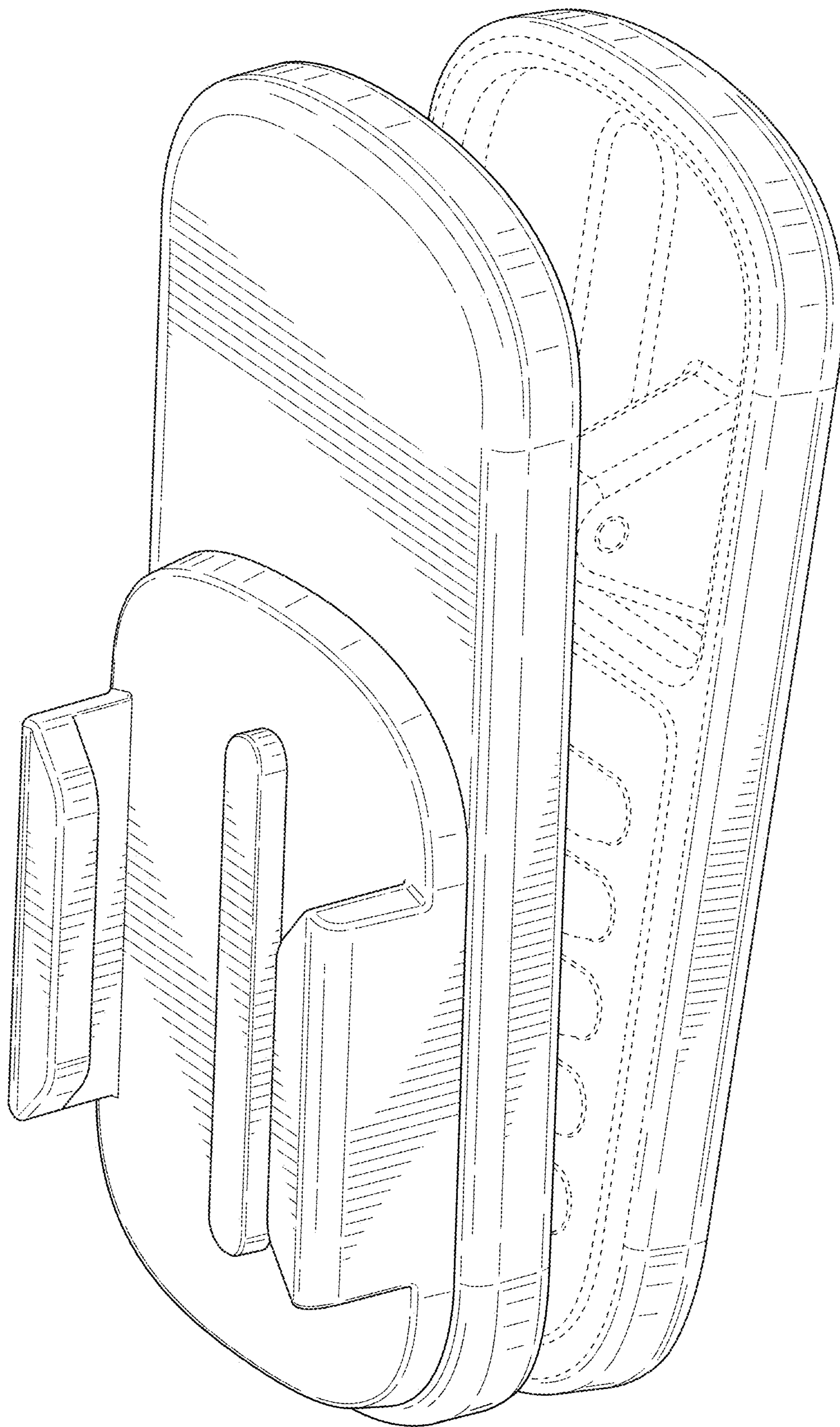


FIG. 10

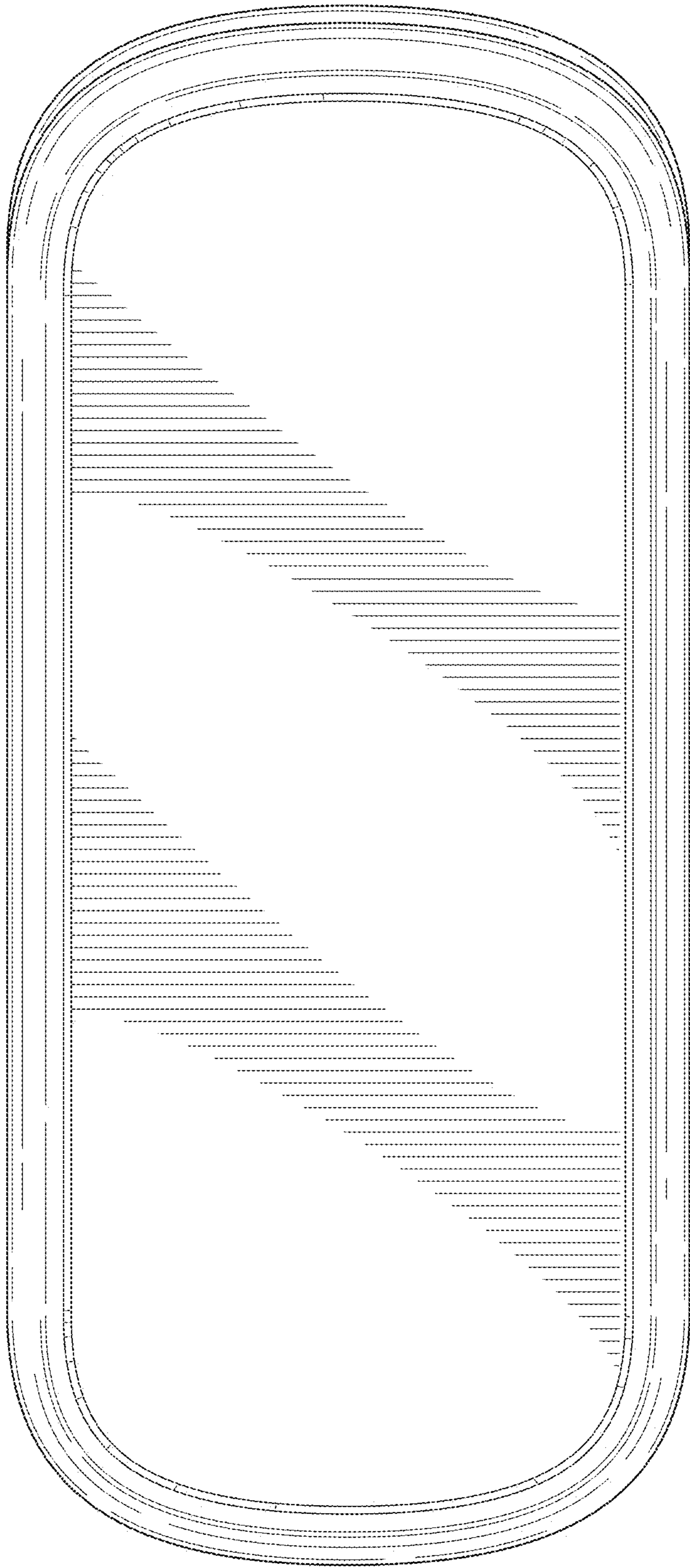


FIG. 11

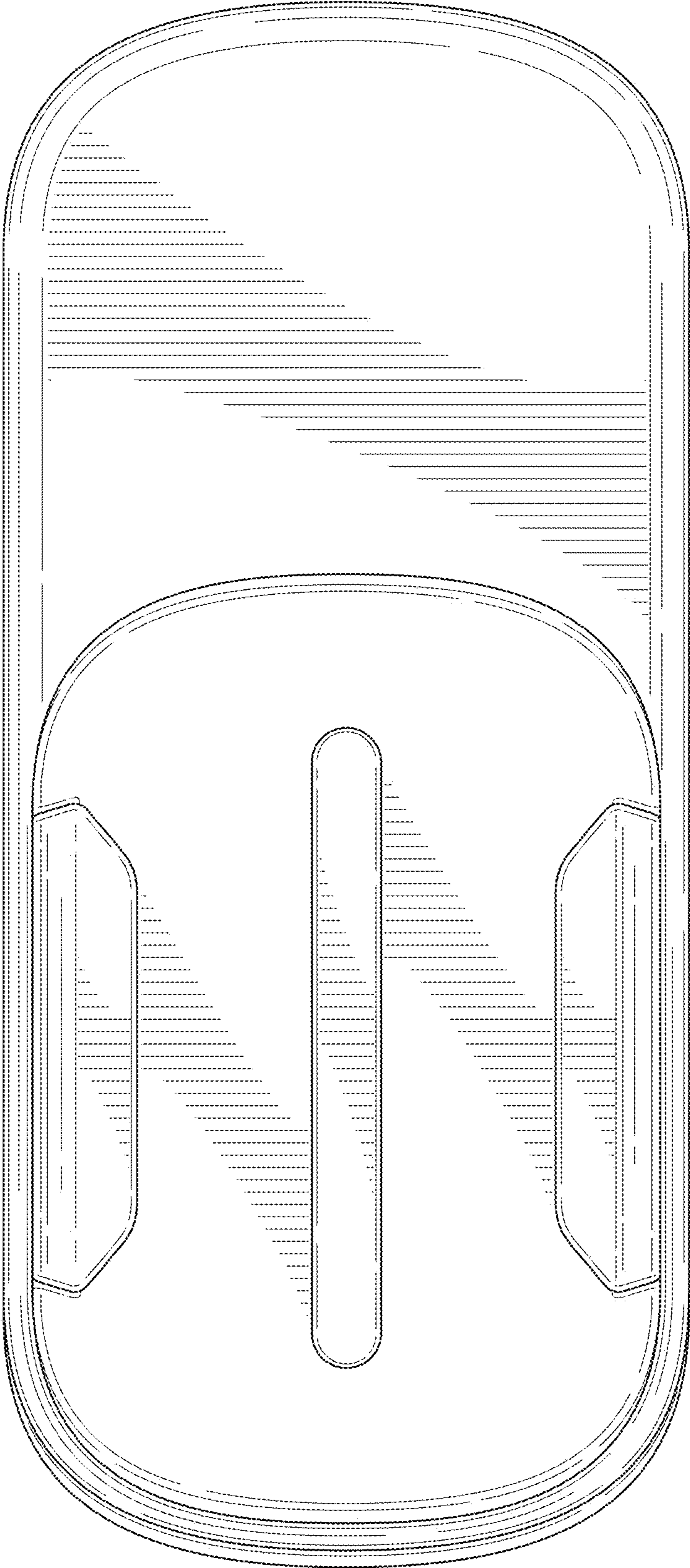


FIG. 12

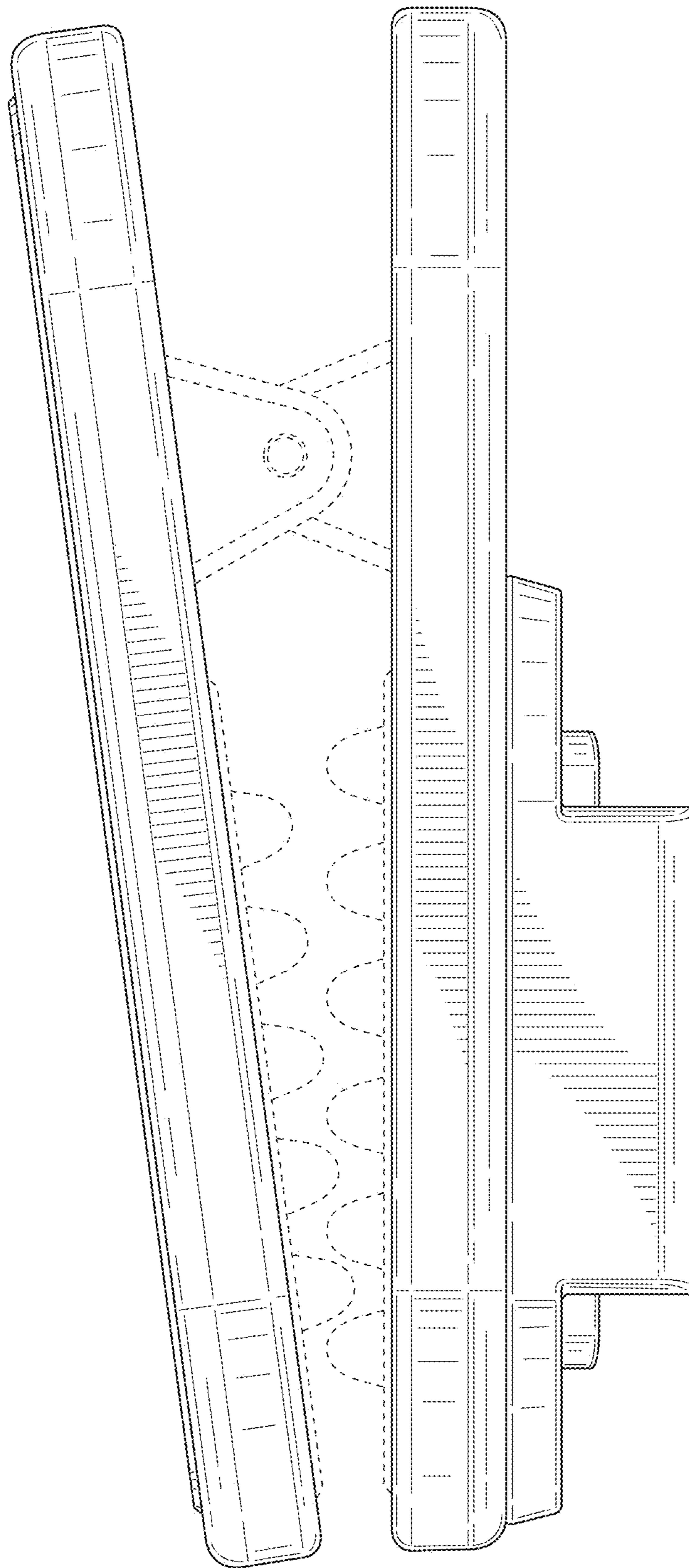


FIG. 13



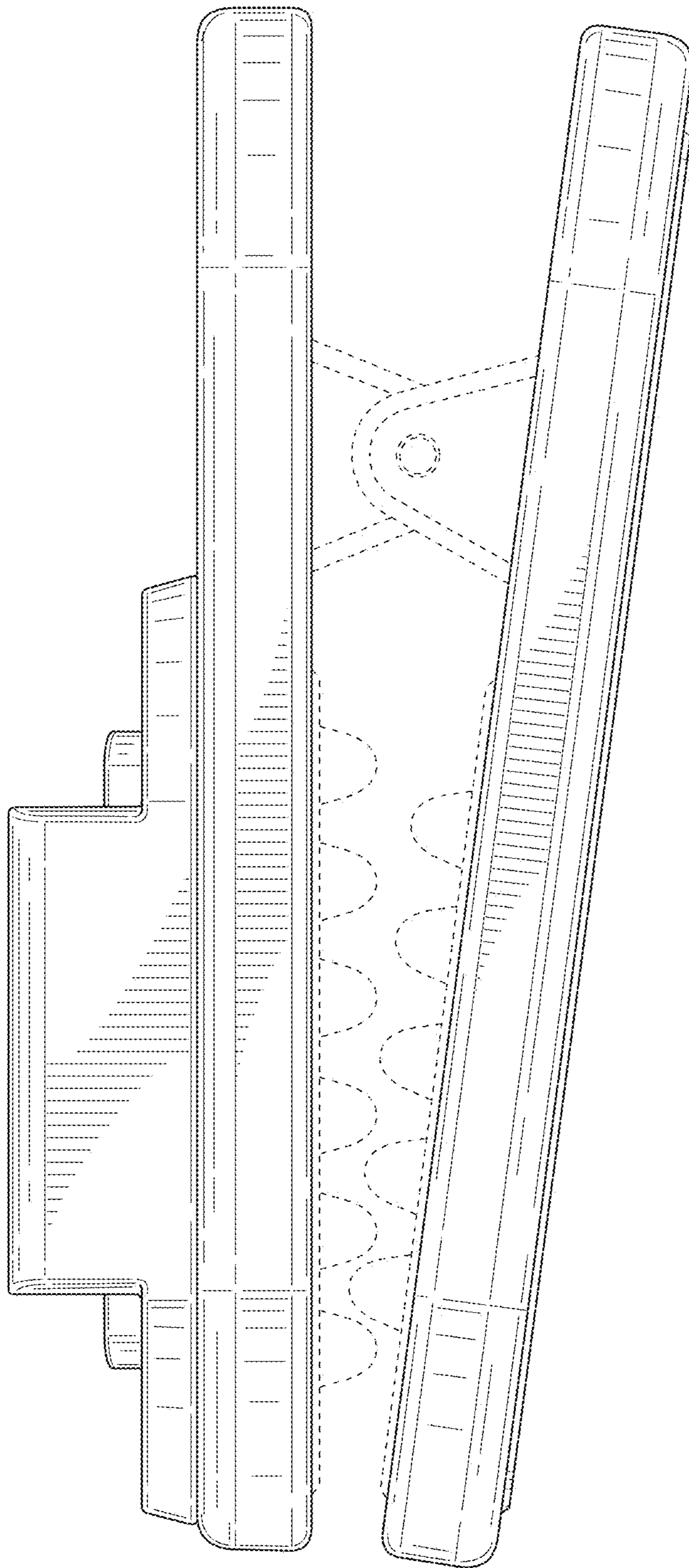


FIG. 14

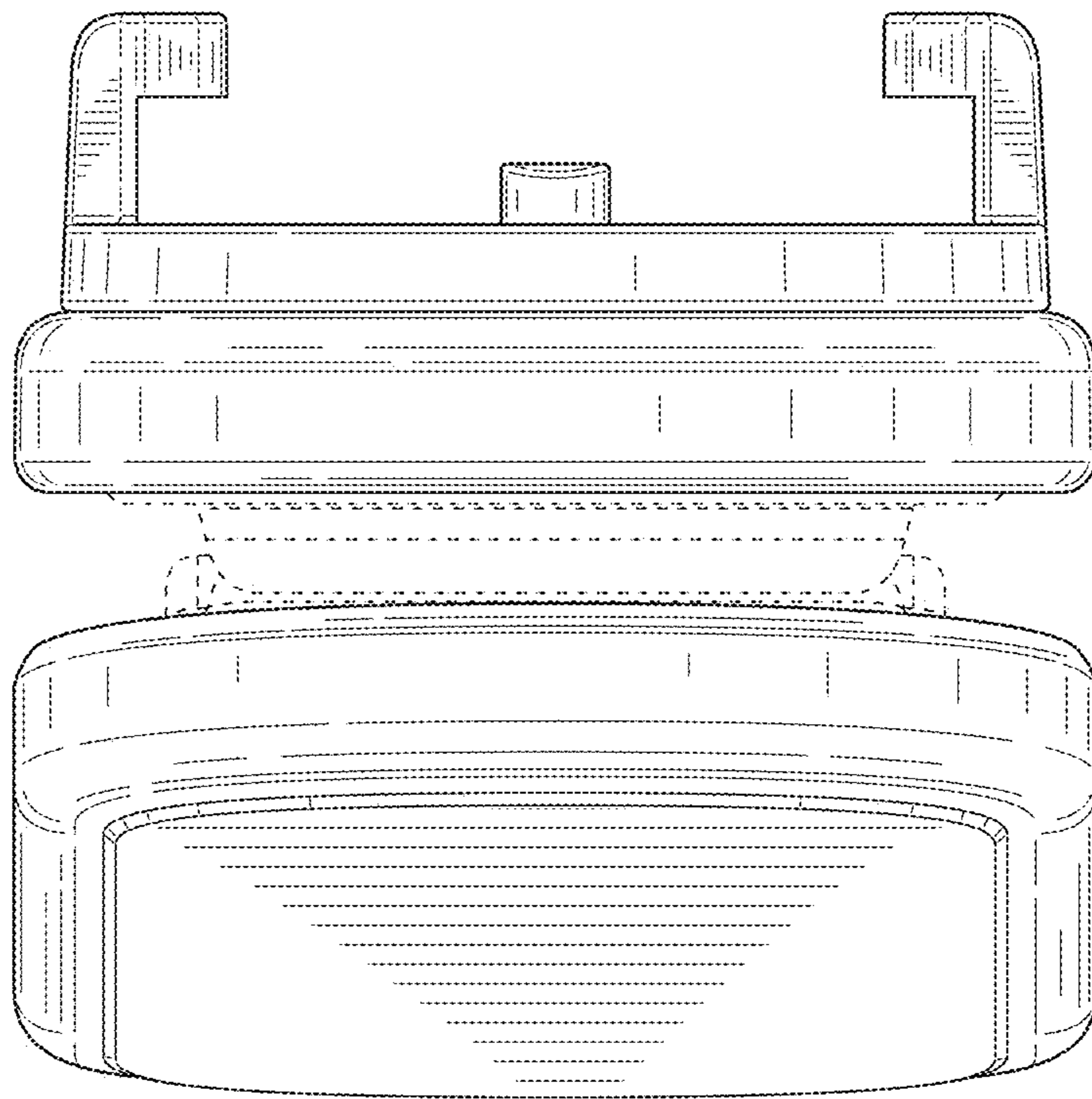


FIG. 15

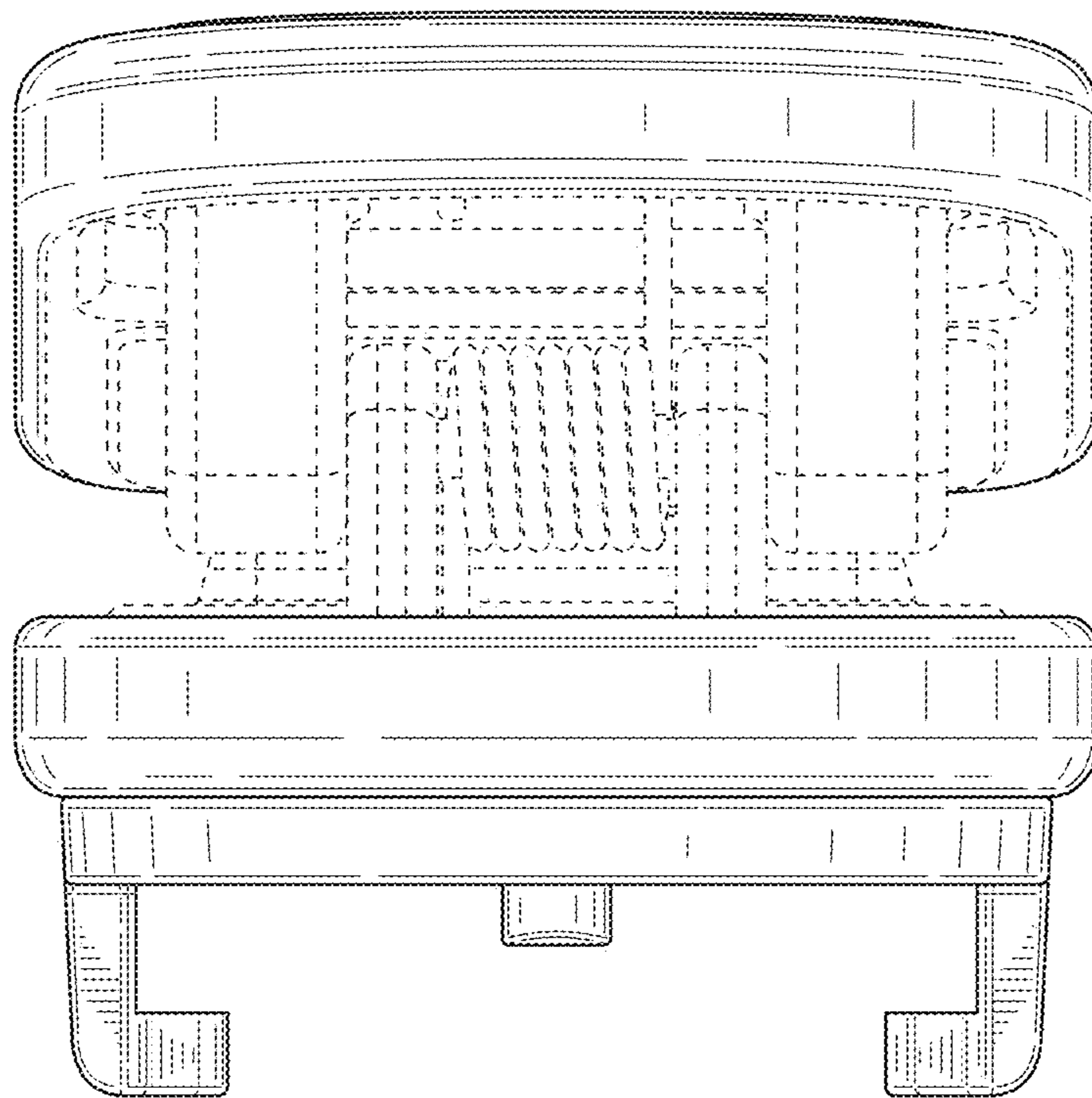


FIG. 16