



US00D921094S

(12) **United States Design Patent** (10) **Patent No.:** **US D921,094 S**  
**Liao** (45) **Date of Patent:** **\*\* Jun. 1, 2021**

(54) **CAMERA STABILIZER**  
(71) Applicant: **GUILIN ZHISHEN INFORMATION TECHNOLOGY CO., LTD.**, Guzngxi (CN)  
(72) Inventor: **Yilun Liao**, Guangxi (CN)  
(73) Assignee: **Guilin Zhishen Information Technology Co., Ltd.**

10,156,776 B1 \* 12/2018 Wei ..... G03B 17/561  
10,240,714 B2 \* 3/2019 Wei ..... G03B 17/561  
D849,497 S \* 5/2019 Wang ..... D8/71  
2017/0037995 A1 \* 2/2017 Pan ..... F16M 11/18  
2017/0146892 A1 \* 5/2017 Wei ..... F16M 11/045  
2017/0192341 A1 \* 7/2017 Casarez ..... G03B 17/561  
2017/0241589 A1 \* 8/2017 Wang ..... F16M 11/18  
2017/0307136 A1 \* 10/2017 Wei ..... F16M 11/12  
2019/0002125 A1 \* 1/2019 Bin ..... B64D 47/08

(\*\*) Term: **15 Years**  
(21) Appl. No.: **29/660,735**  
(22) Filed: **Aug. 22, 2018**

(30) **Foreign Application Priority Data**  
Jun. 1, 2018 (CN) ..... 201830270420.0  
(51) **LOC (13) Cl.** ..... **16-05**  
(52) **U.S. Cl.**  
USPC ..... **D16/242**  
(58) **Field of Classification Search**  
USPC ..... D16/219, 237-250; D8/354, 355, 363, D8/373, 382-383, 394-396; D14/224, D14/229, 238, 251-253, 447, 451, 457  
CPC ..... A45F 2200/0508-0533; A45F 5/00; A45F 5/10; F16M 11/06-10; F16M 11/14; G02B 7/00-002; G03B 17/56; G03B 17/561-568; H04N 5/2253-2254  
See application file for complete search history.

(56) **References Cited**  
U.S. PATENT DOCUMENTS  
D780,825 S \* 3/2017 Kim ..... D10/103  
D795,946 S \* 8/2017 Kim ..... D16/206  
9,800,786 B1 \* 10/2017 Wei ..... G03B 17/563  
D810,171 S \* 2/2018 Kim ..... D16/206  
9,891,505 B1 \* 2/2018 Wei ..... G03B 17/561  
9,894,279 B2 \* 2/2018 Wei ..... H04N 5/2328  
D826,310 S \* 8/2018 Wang ..... D16/243

**OTHER PUBLICATIONS**

Zhiyun Crane 3 LAB pro gimbal, [online] Published on Dec. 12, 2018. Retrieved Aug. 20, 2019 from URL: <https://www.digitalcameraworld.com/news/zhiyun-crane-3-lab-pro-gimbal-takes-the-strain-out-of-handheld-video>.\*

\* cited by examiner

*Primary Examiner* — Vy N Koenig  
(74) *Attorney, Agent, or Firm* — Offit Kurman, P.A.; Zhun Lu

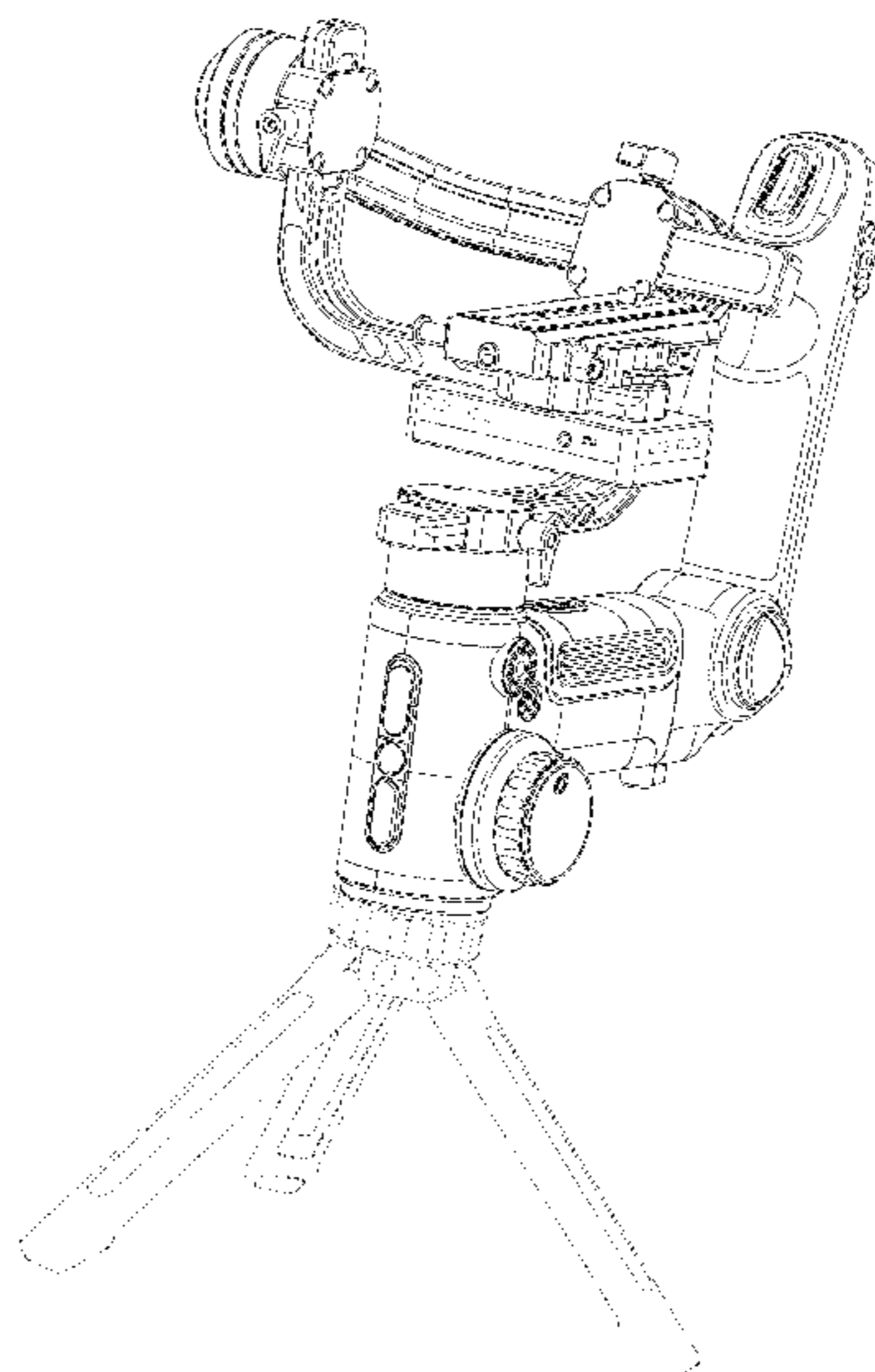
(57) **CLAIM**

The ornamental design for a camera stabilizer, as shown and described.

**DESCRIPTION**

FIG. 1 is a front side perspective view of a camera stabilizer according to the claimed design;  
FIG. 2 is another side perspective view thereof;  
FIG. 3 is a front side elevation view thereof;  
FIG. 4 is a rear side elevation view thereof;  
FIG. 5 is a left side elevation view thereof;  
FIG. 6 is a right side elevation view thereof;  
FIG. 7 is a top plan view thereof;  
FIG. 8 is a bottom plan view thereof; and,  
FIG. 9 is a perspective view thereof in a condition of use state with a tripod.  
The broken lines shown depict environmental subject matter and form no part of the claimed design.

**1 Claim, 8 Drawing Sheets**



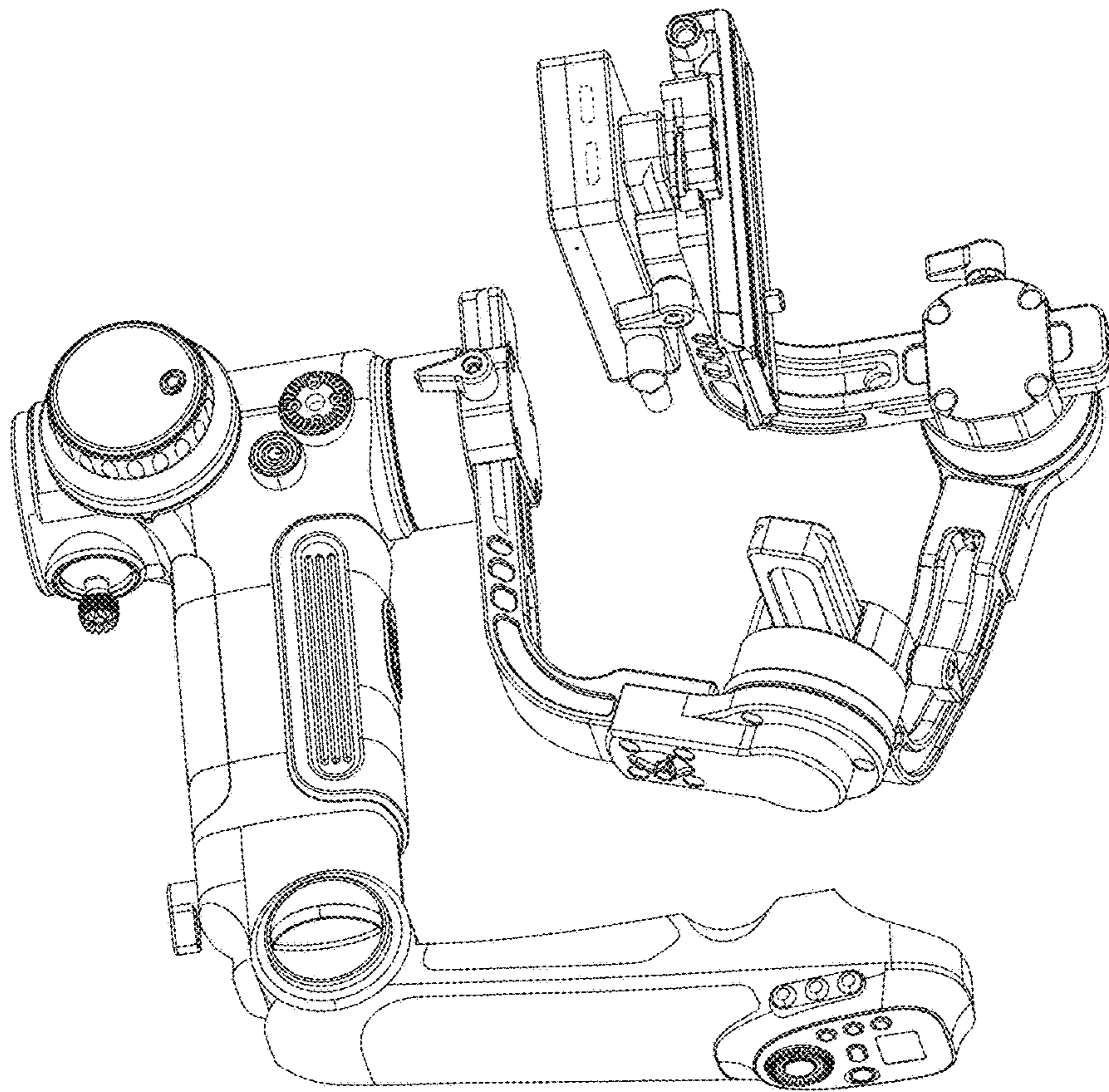


FIGURE 1

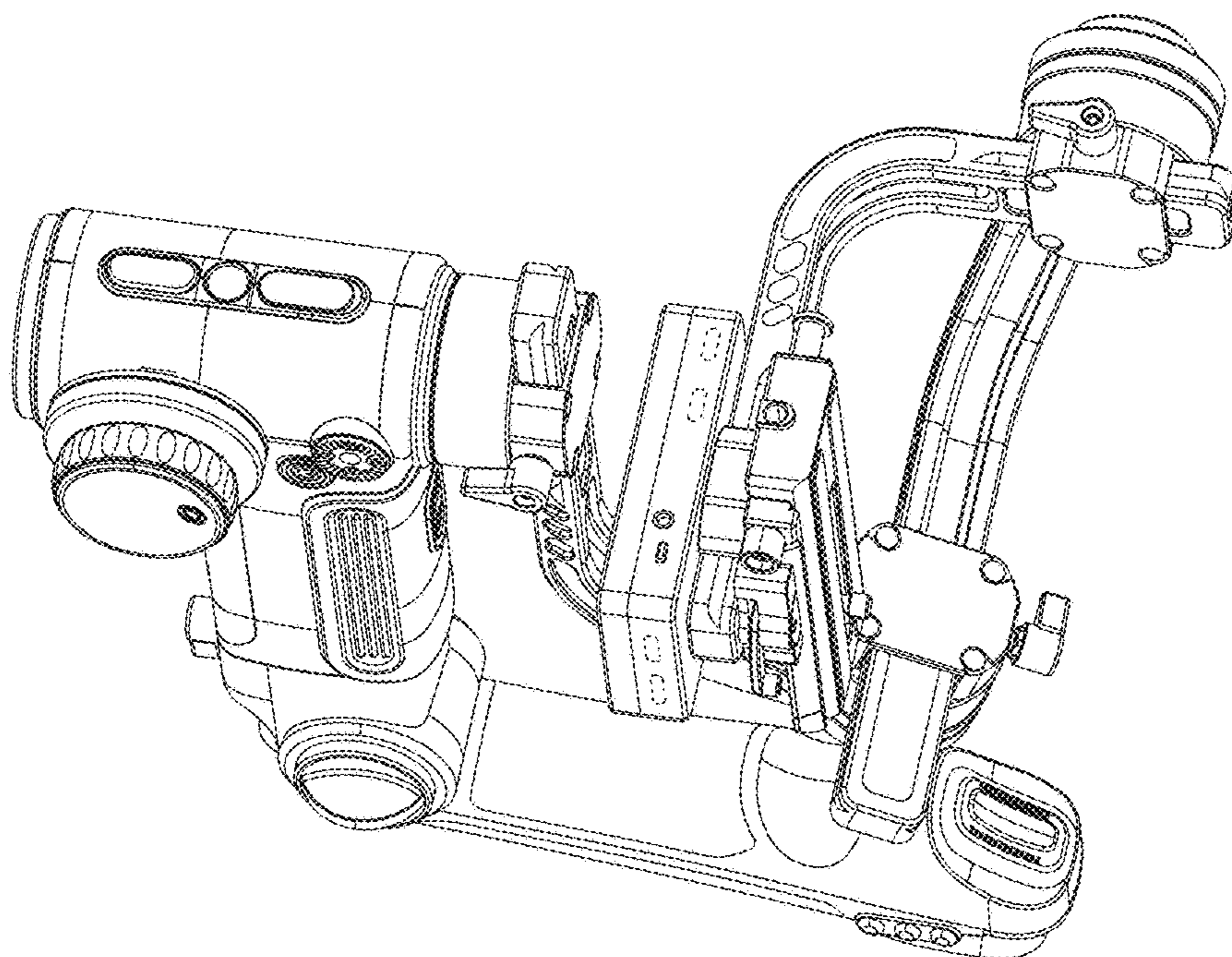


FIGURE 2

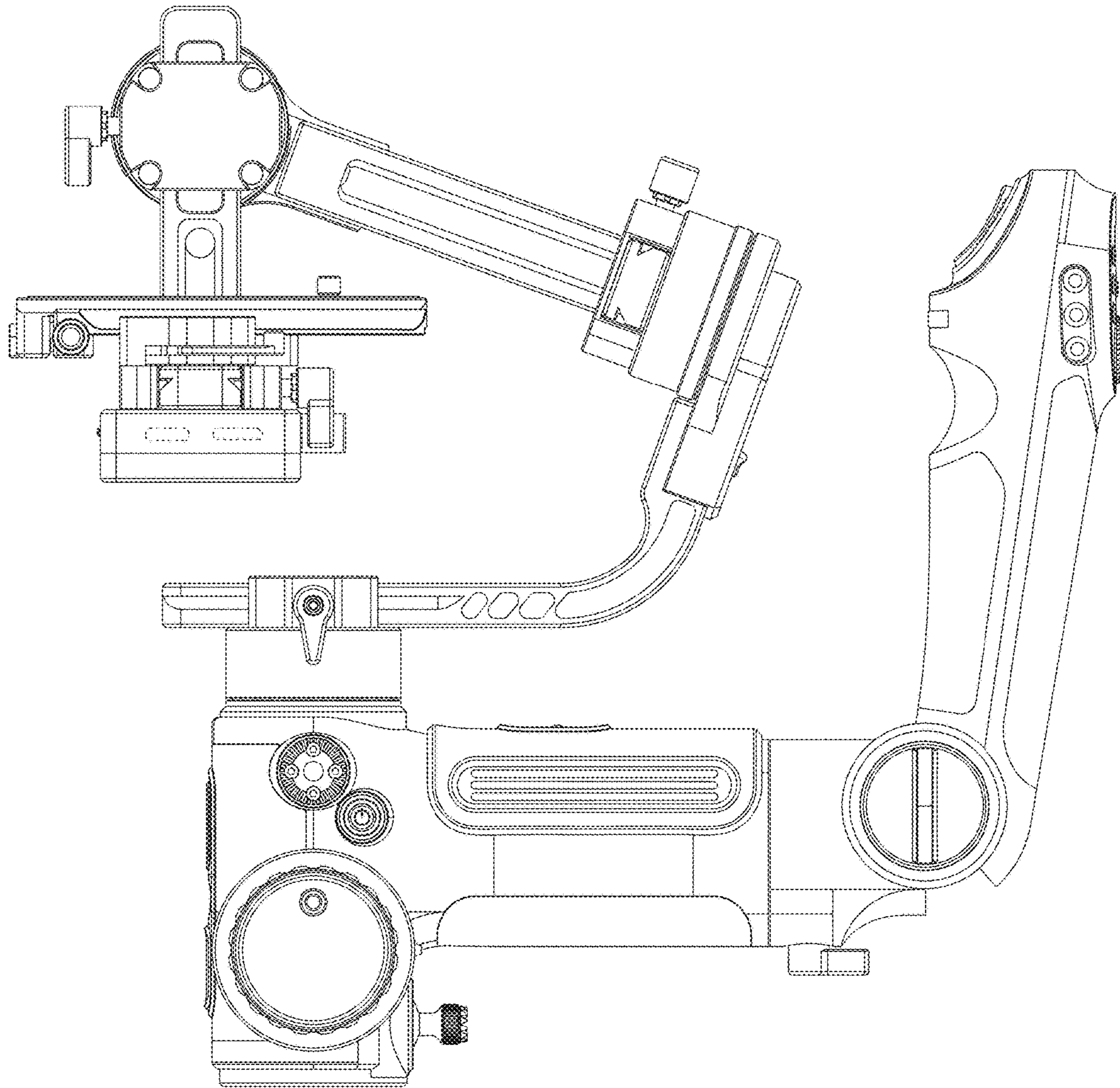


FIGURE 3

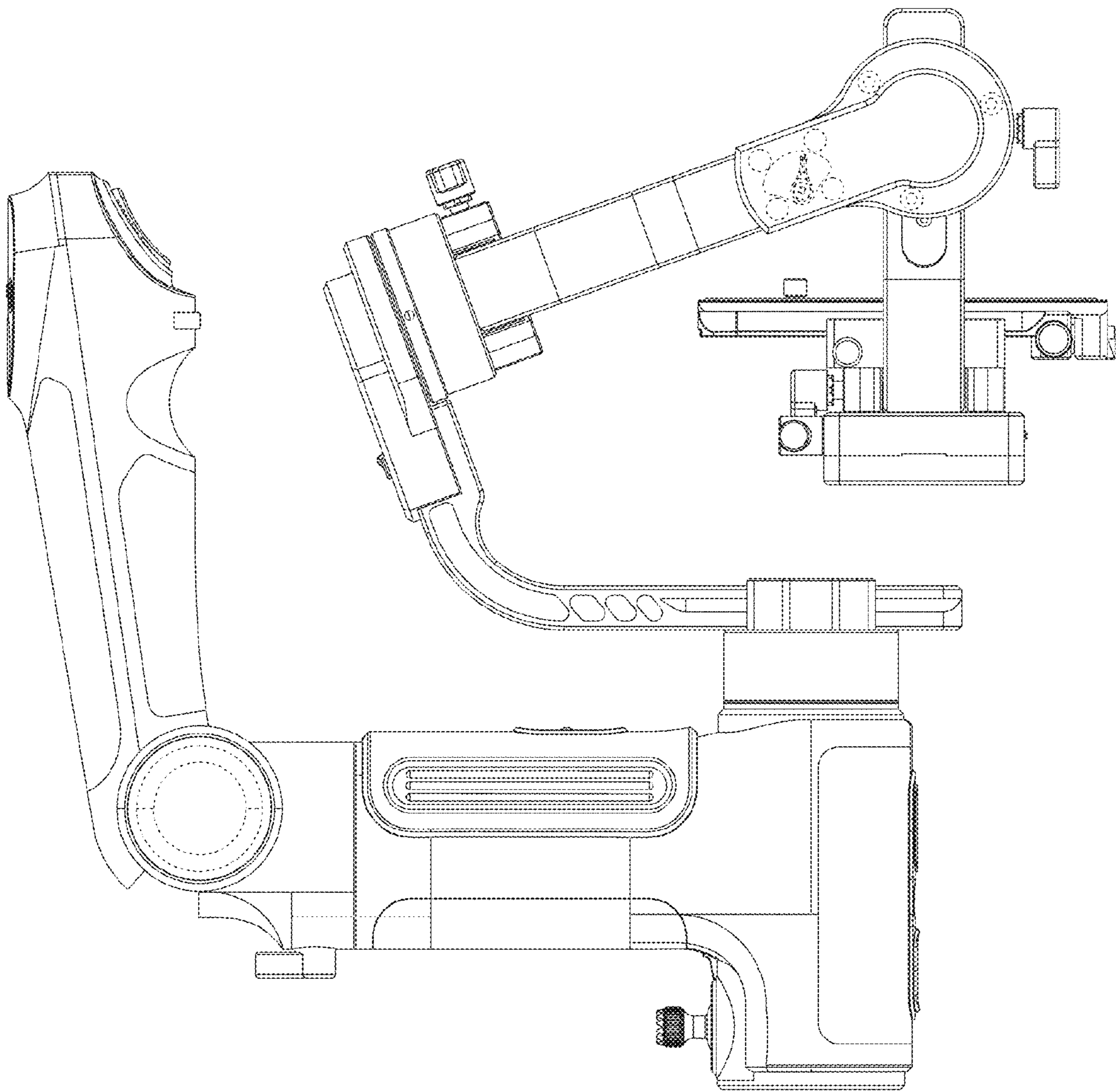


FIGURE 4

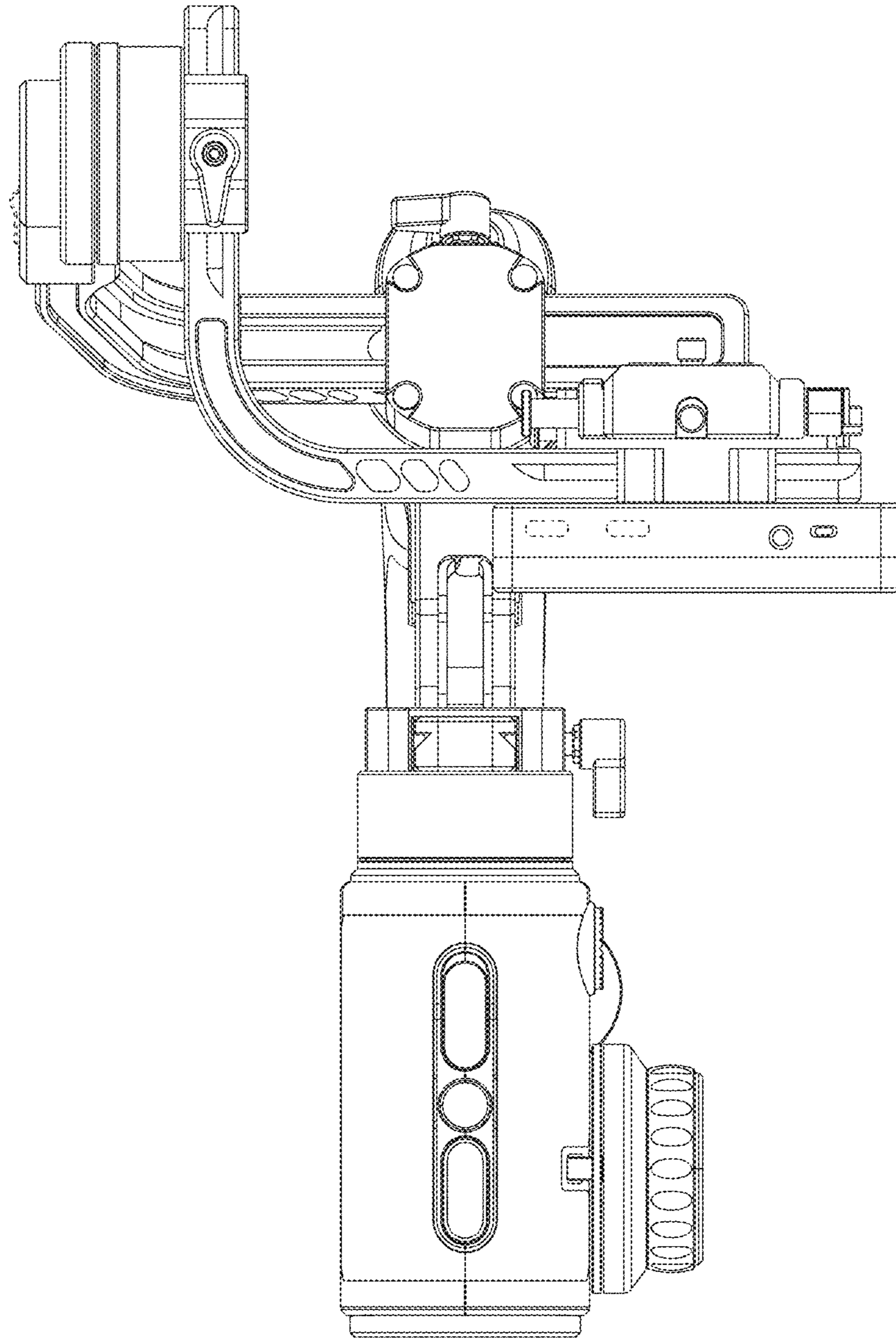


FIGURE 5

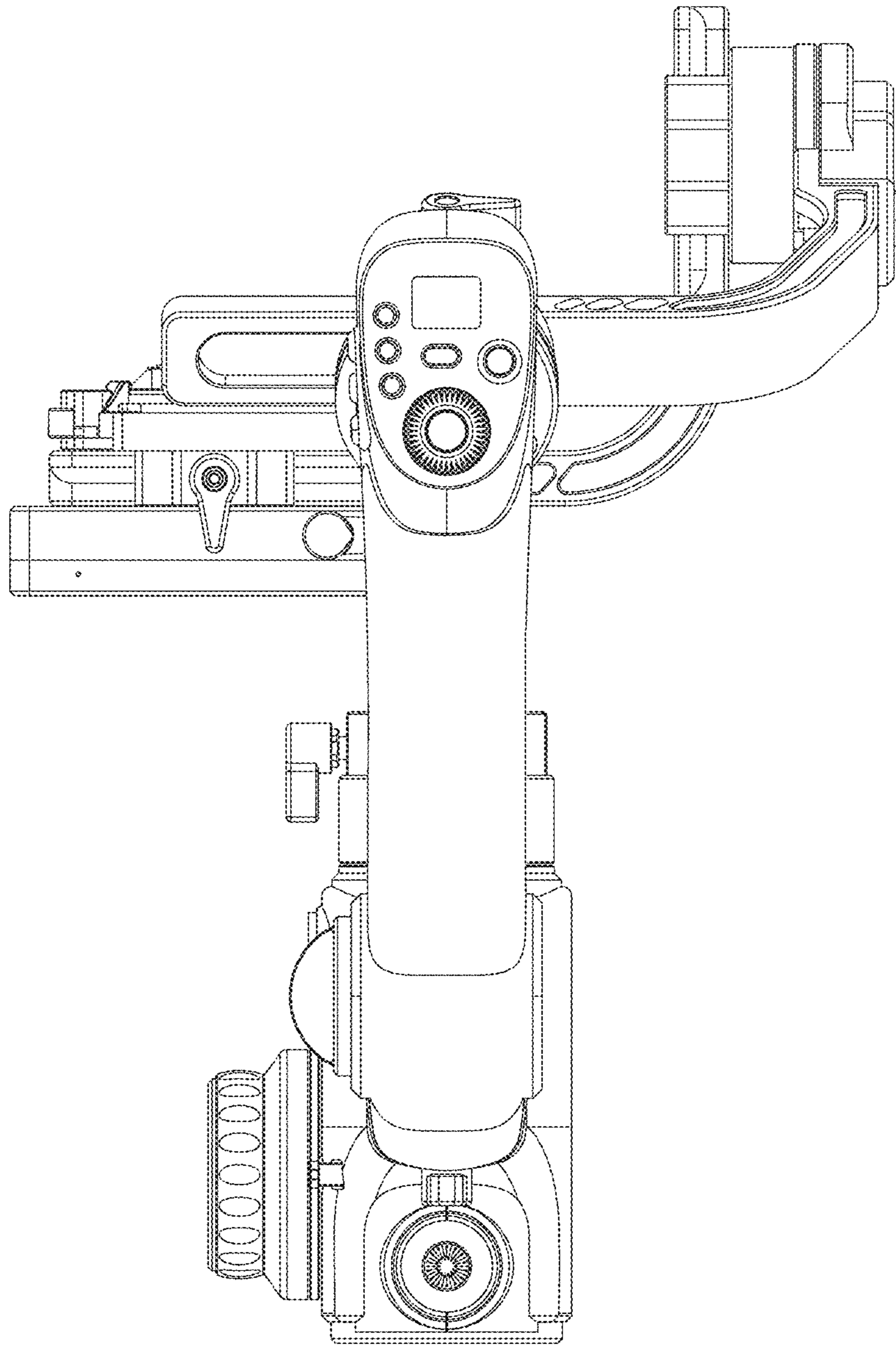


FIGURE 6

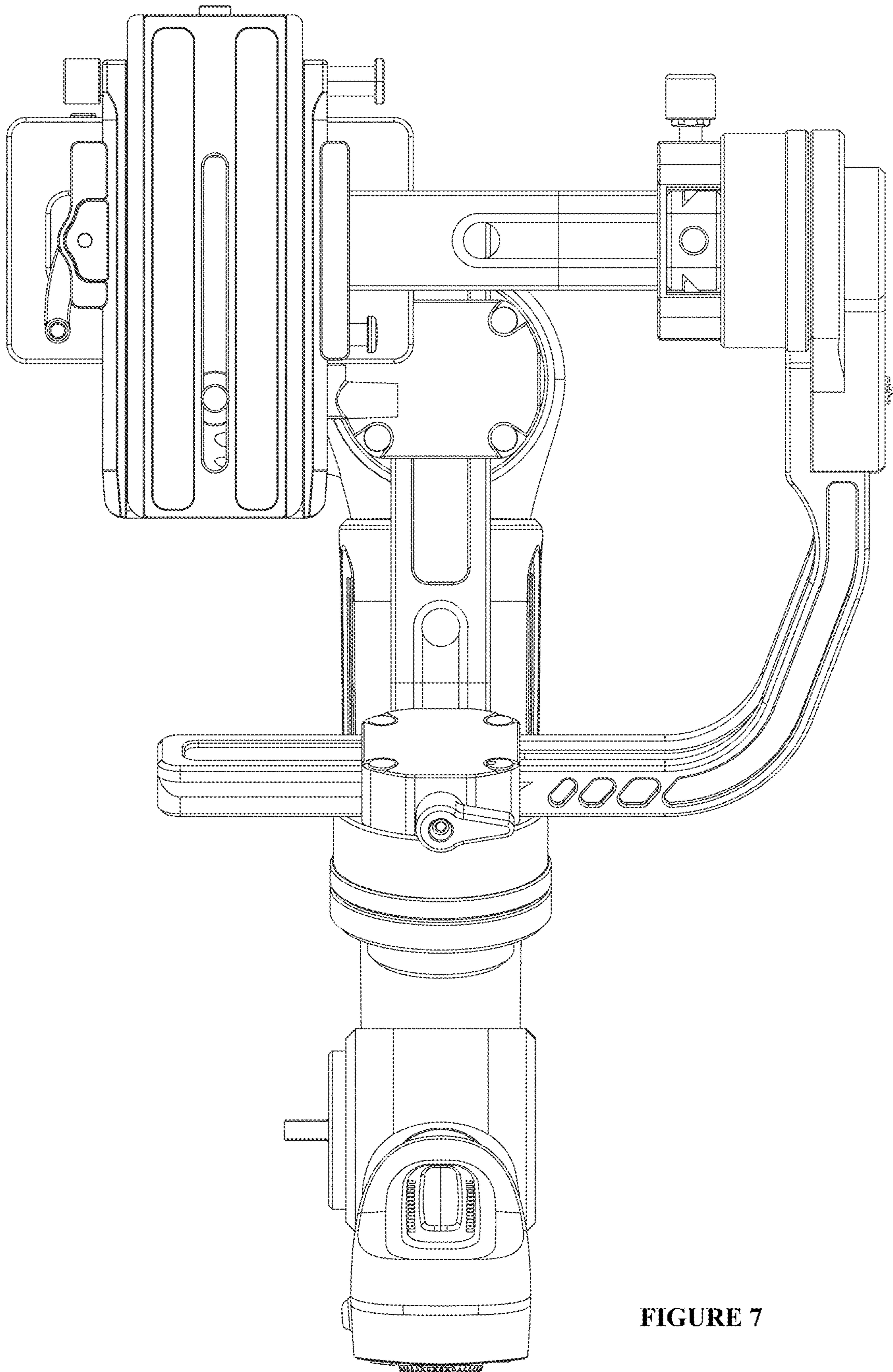


FIGURE 7

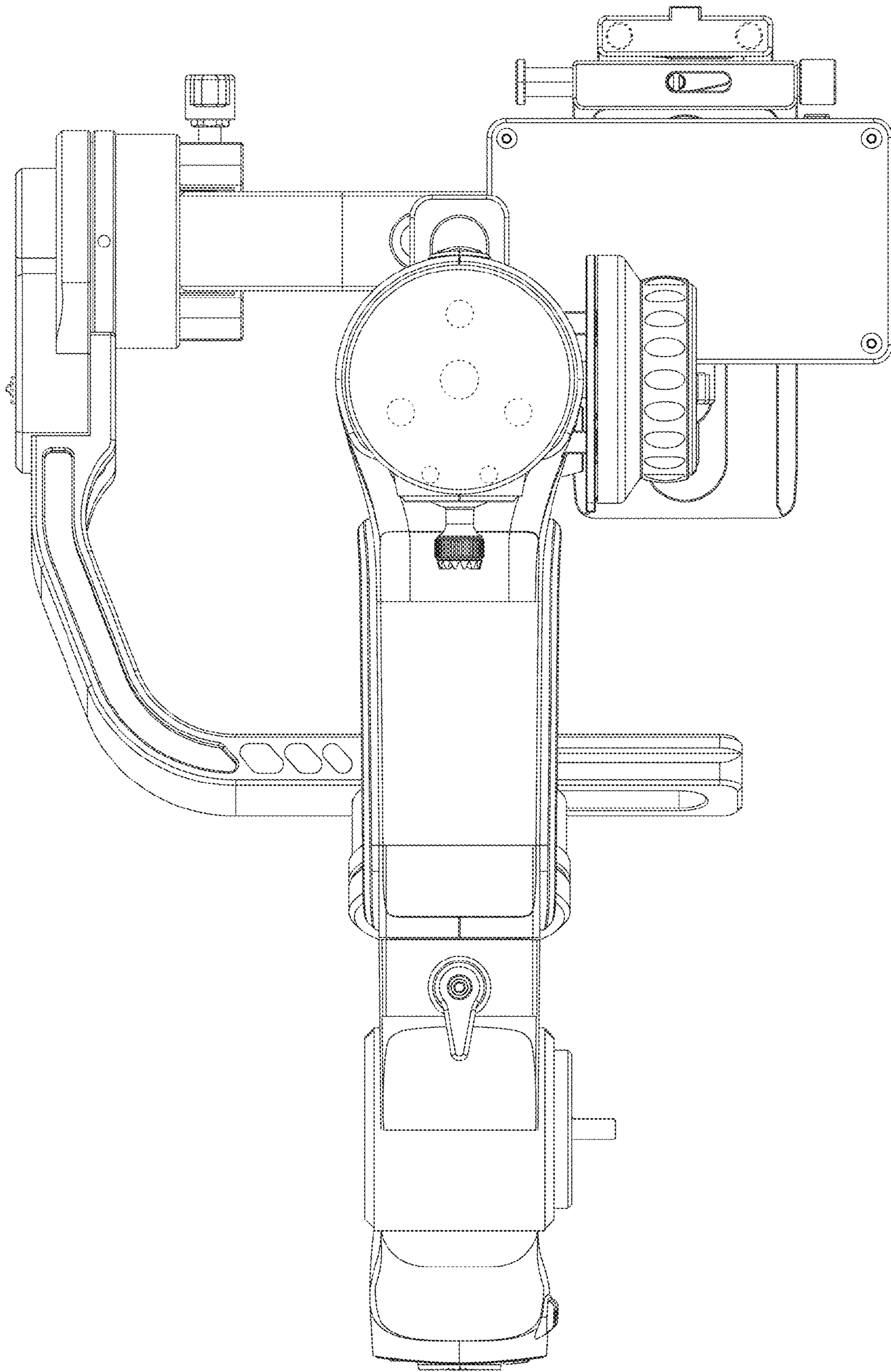


FIGURE 8



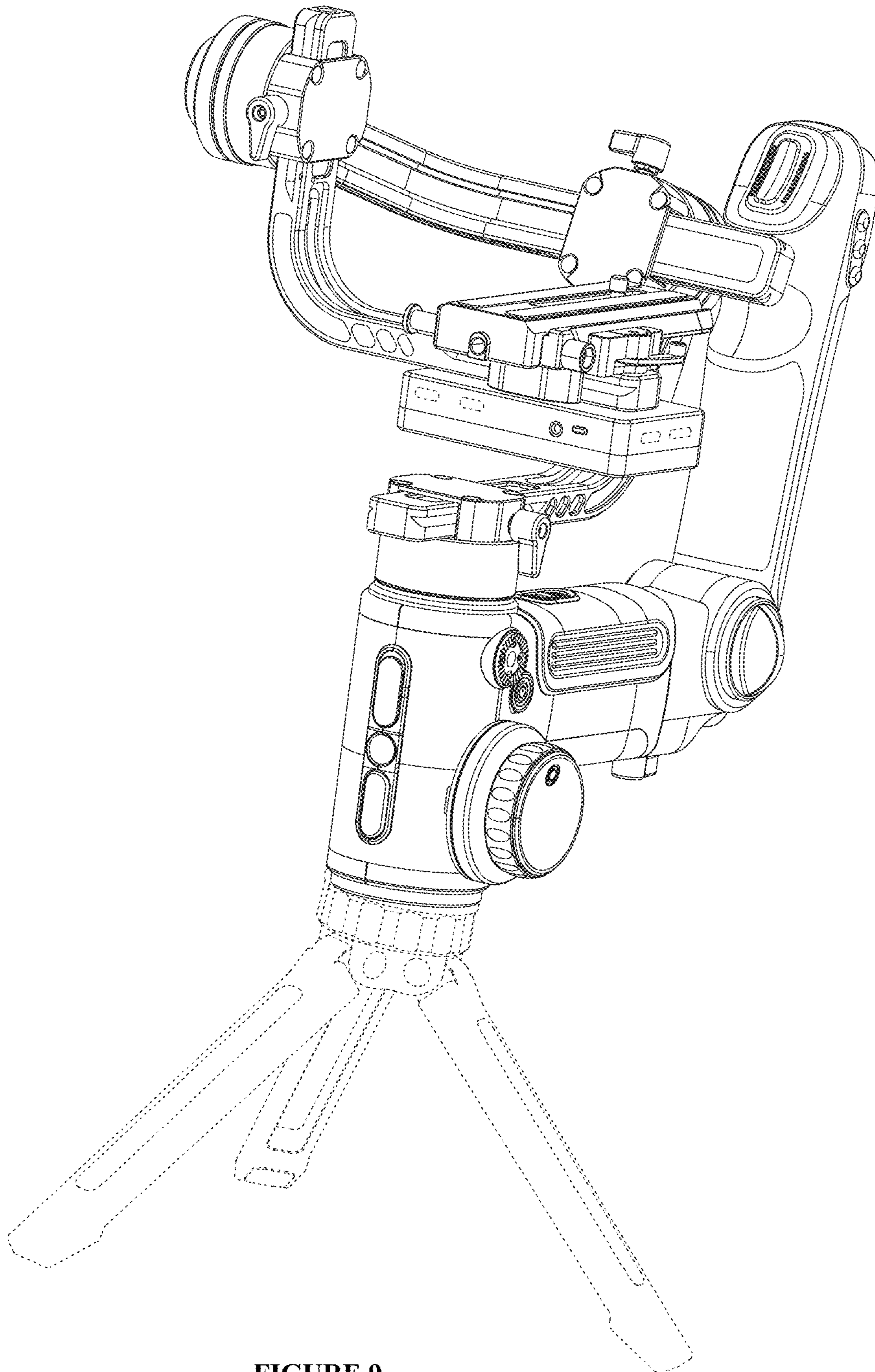


FIGURE 9