



US00D921092S

(12) **United States Design Patent** (10) **Patent No.:** **US D921,092 S**
Tanaka et al. (45) **Date of Patent:** **** Jun. 1, 2021**

(54) **PROJECTOR**

(71) Applicant: **FUJIFILM Corporation**, Tokyo (JP)

(72) Inventors: **Kunihiko Tanaka**, Saitama (JP); **Koji Yoshida**, Saitama (JP)

(73) Assignee: **FUJIFILM Corporation**, Tokyo (JP)

(**) Term: **15 Years**

(21) Appl. No.: **29/681,297**

(22) Filed: **Feb. 25, 2019**

(30) **Foreign Application Priority Data**

Aug. 31, 2018 (JP) 2018-019073
Aug. 31, 2018 (JP) 2018-019074

(51) **LOC (13) Cl.** **16-02**

(52) **U.S. Cl.**
USPC **D16/235**

(58) **Field of Classification Search**

USPC D16/235, 221-222, 225, 229-230,
D16/231-234, 201-203, 205, 208, 219,
D16/130-134, 136; D21/514, 309, 362,
D21/366, 443; D3/20, 24; D6/535, 546,
D6/566; D8/370, 367, 354, 356;
D11/206, 208, 3, 17, 26-27; D28/41;
(Continued)

(56) **References Cited**

U.S. PATENT DOCUMENTS

D234,008 S * 12/1974 Ritter D16/130
3,924,786 A * 12/1975 Duquette G03B 17/12
224/251
D468,757 S * 1/2003 Stapleton D16/130
(Continued)

FOREIGN PATENT DOCUMENTS

JP 1402918 S 11/2013

OTHER PUBLICATIONS

Goods Press, Issue 1, vol. 20, (Jan. 10, 2007), p. 33, (Japan Patent Office, Design Division Official Gazette No. HA18029741).

(Continued)

Primary Examiner — Wan Laymon

(74) *Attorney, Agent, or Firm* — Studebaker & Brackett PC

(57) **CLAIM**

The ornamental design for a projector, as shown and described.

DESCRIPTION

The file of this patent contains at least one drawing executed in color. Copies of this patent with color drawings will be provided by the United States Patent and Trademark Office upon request and payment of the necessary fee.

FIG. 1 is a top left perspective view of a projector showing a first embodiment of our new design;

FIG. 2 is a front view thereof;

FIG. 3 is a rear view thereof;

FIG. 4 is a top plan view thereof;

FIG. 5 is a bottom plan view thereof;

FIG. 6 is a right side view thereof;

FIG. 7 is a left side view thereof;

FIG. 8 is a top left perspective view of a projector showing a second embodiment of our new design;

FIG. 9 is a front view thereof;

FIG. 10 is a rear view thereof;

FIG. 11 is a top plan view thereof;

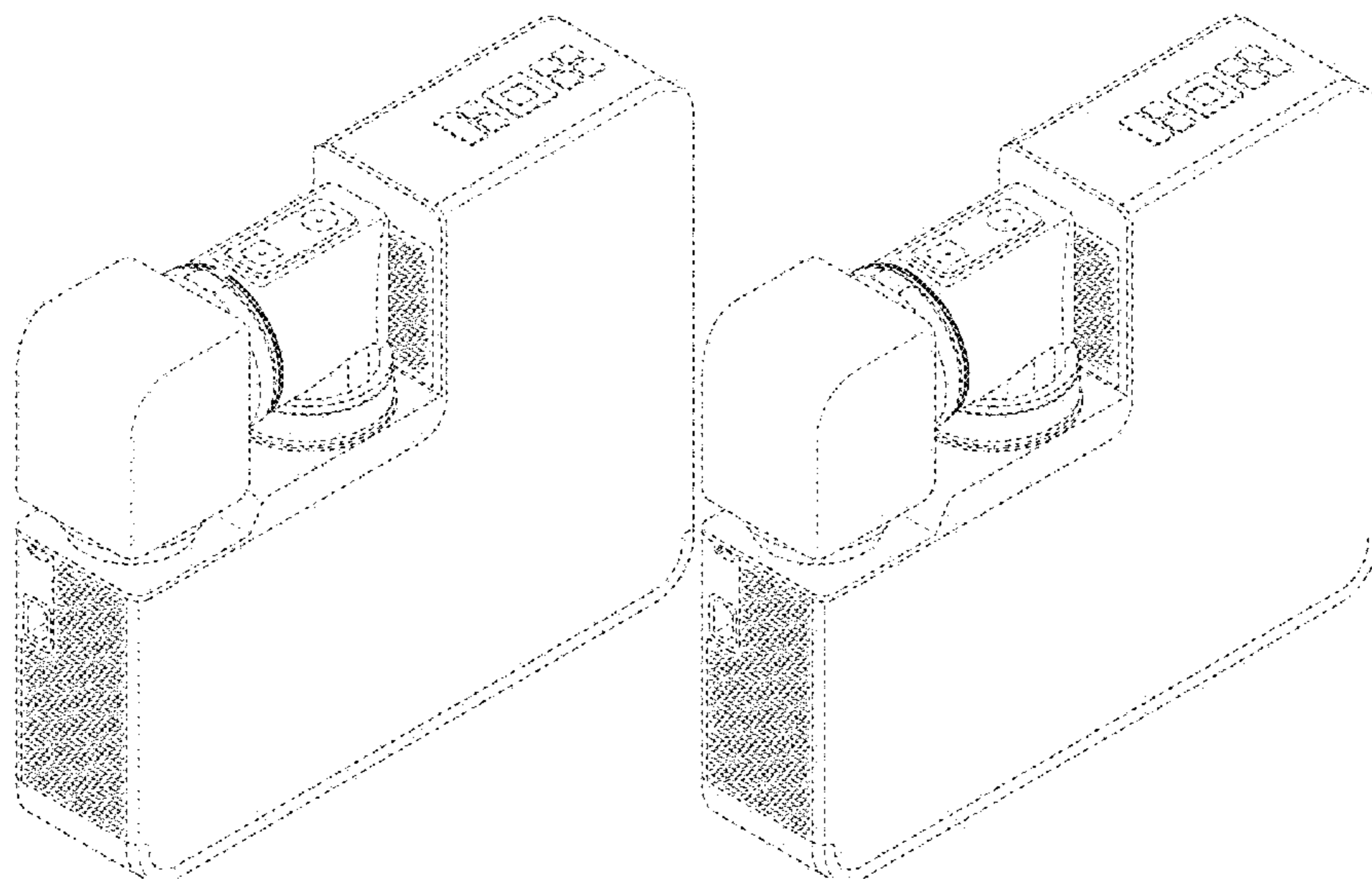
FIG. 12 is a bottom plan view thereof;

FIG. 13 is a right side view thereof; and,

FIG. 14 is a left side view thereof.

The broken lines illustrate portions of the projector and form no part of the claimed design.

1 Claim, 12 Drawing Sheets
(8 of 12 Drawing Sheet(s) Filed in Color)



(58) **Field of Classification Search**

USPC D30/151–152; D7/633; D23/259, 263,
D23/266

CPC G03B 21/00; G03B 21/001; G03B 21/003;
G03B 21/145; G03B 21/54; G03B 17/56

See application file for complete search history.

(56) **References Cited**

U.S. PATENT DOCUMENTS

D473,578 S	*	4/2003	Kondoh	D16/202
D480,408 S	*	10/2003	Kawashima	D16/225
D690,191 S	*	9/2013	Takakuwa	D8/354
D695,331 S	*	12/2013	Ohashi	D16/235
D728,662 S	*	5/2015	Kikuchi	D16/219
D902,288 S	*	11/2020	Tanaka	D16/235
D904,496 S	*	12/2020	Tanaka	D16/235

OTHER PUBLICATIONS

Liquid-Crystal Color Projector LCP5000, (Feb. 28, 1993), p. 4, LCP5000 (Japan Patent Office, Design Division Official Gazette No. HC05014352).

PENTAX Corporation published via website, (Japan Patent Office, Design Division Official Gazette No. HJ17010641).

An Office Action; “Notification,” by the Japanese Patent Office dated Jun. 6, 2019, which corresponds to Japanese Design Application No. 2018-019073 and is related to Design U.S. Appl. No. 29/681,297; with English language translation.

An Office Action; “Notification,” by the Japanese Patent Office dated Jun. 10, 2019, which corresponds to Japanese Design Application No. 2018-019074 and is related to Design U.S. Appl. No. 29/681,297; with English language translation.

* cited by examiner

FIG. 1

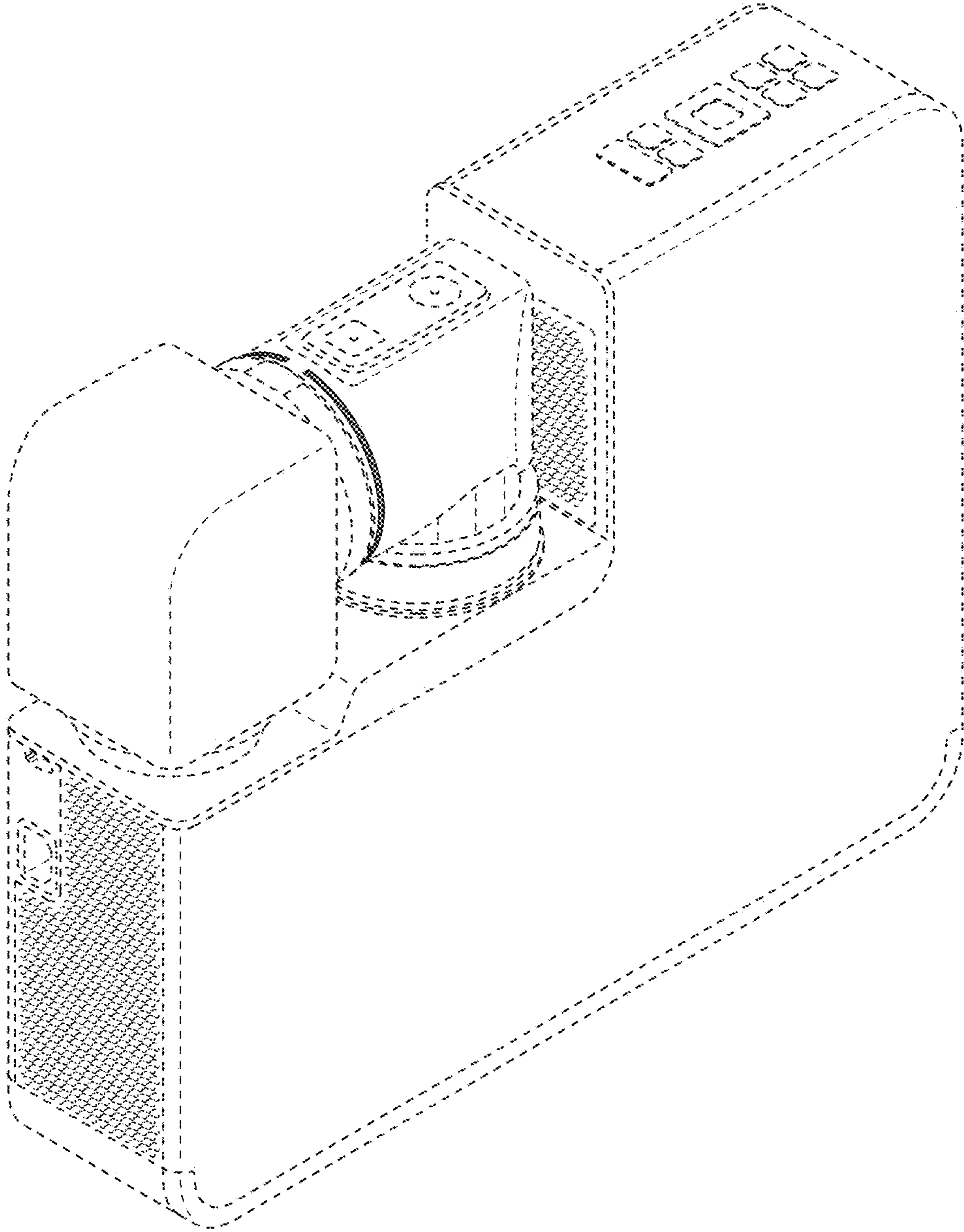


FIG. 2

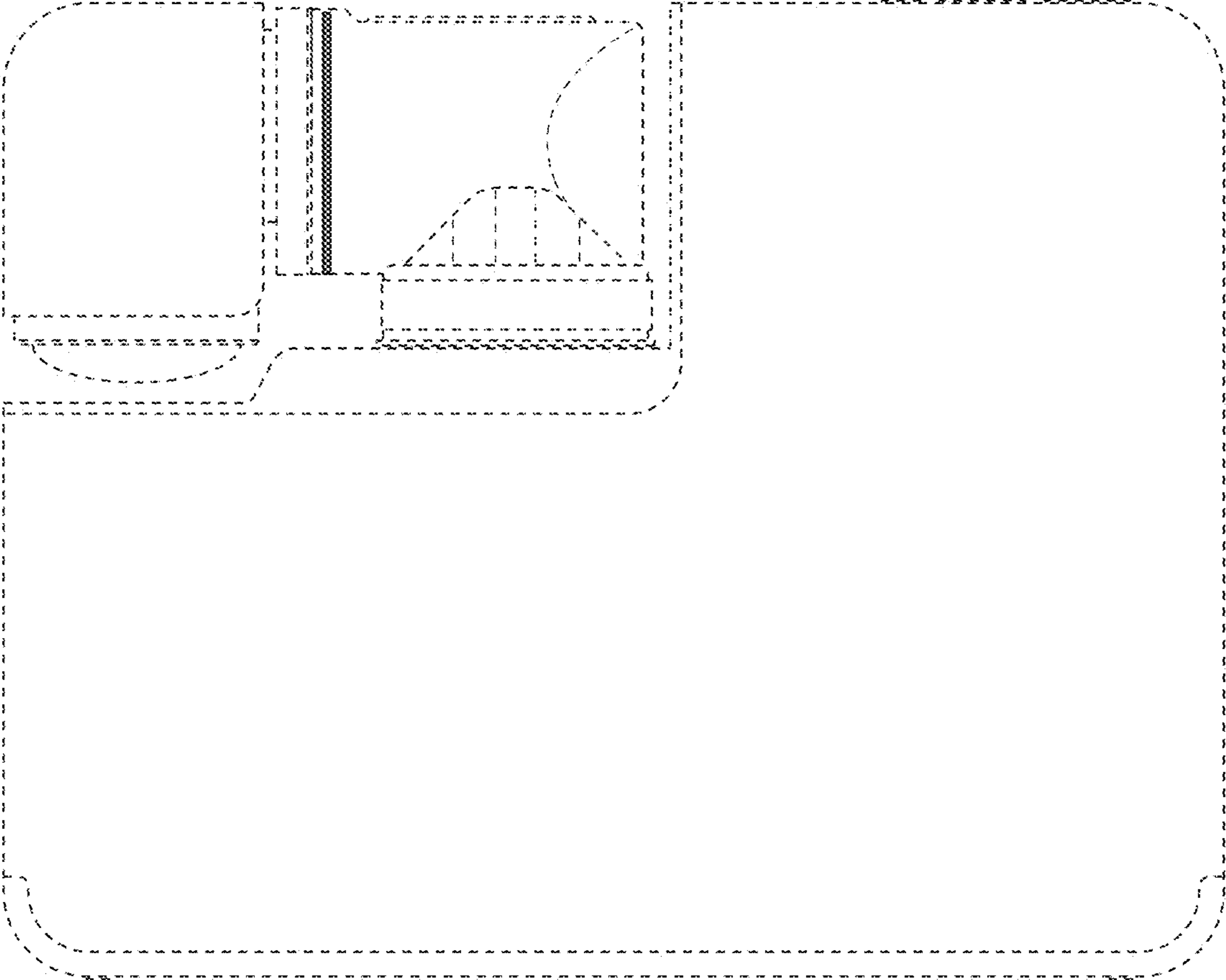


FIG. 3

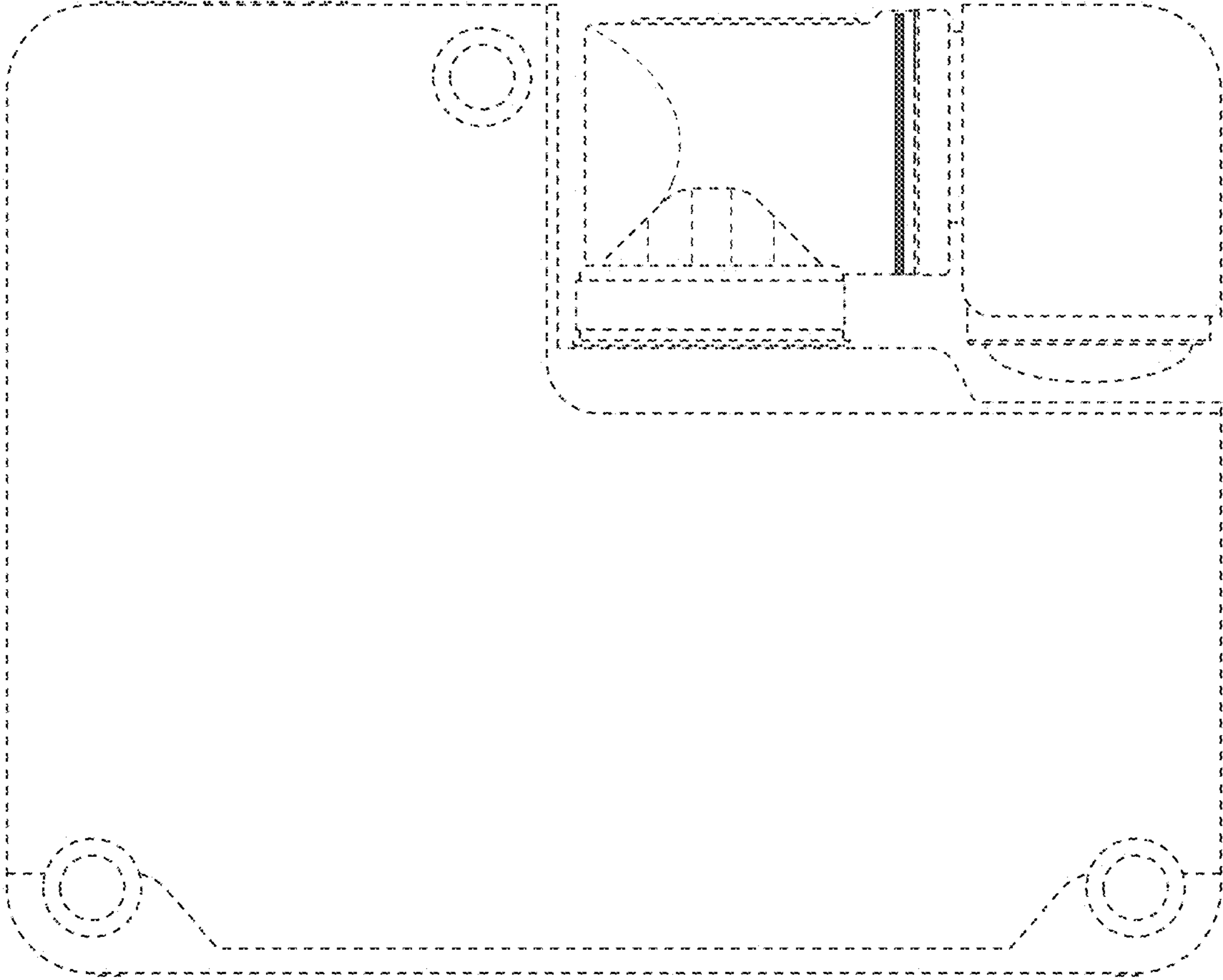


FIG. 4

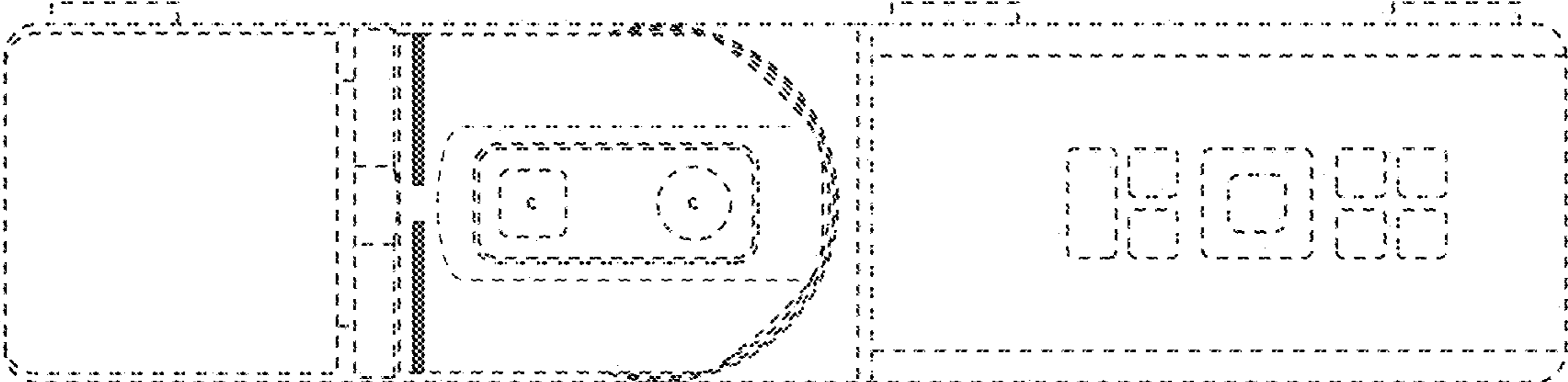


FIG. 5



FIG. 6

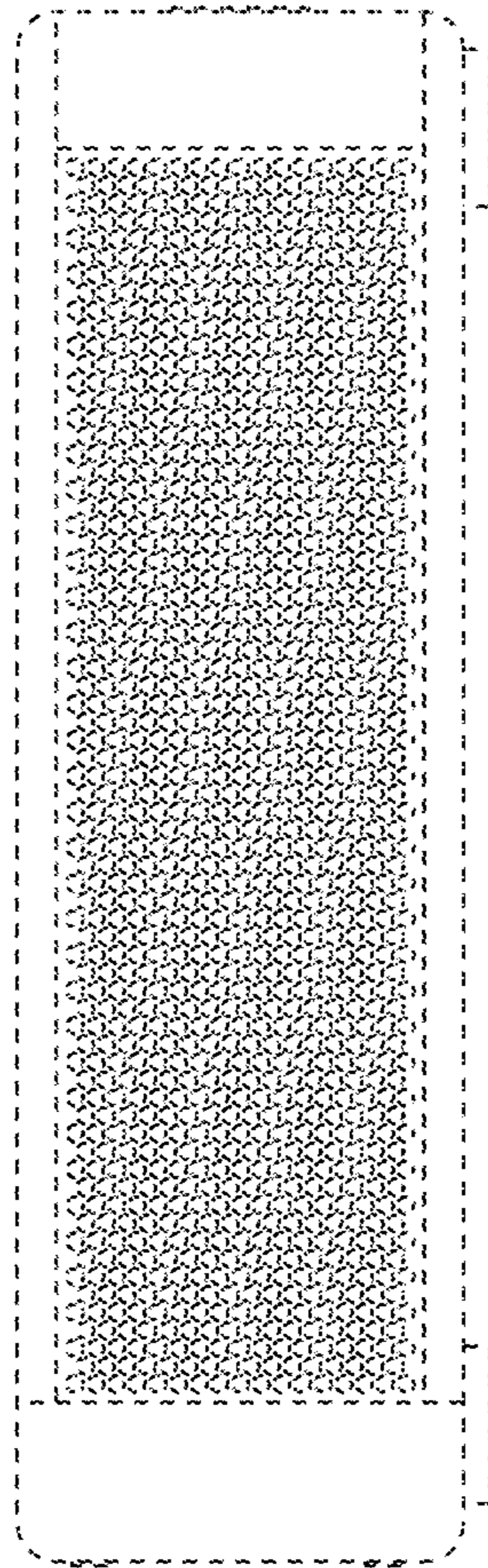


FIG. 7

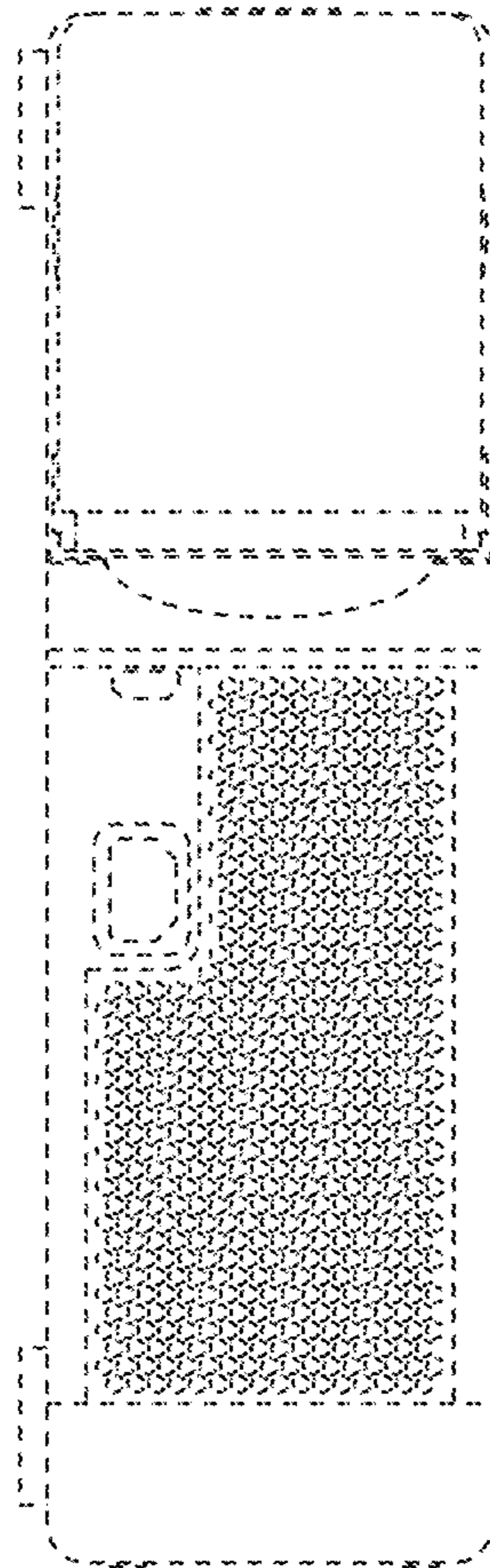


FIG. 8

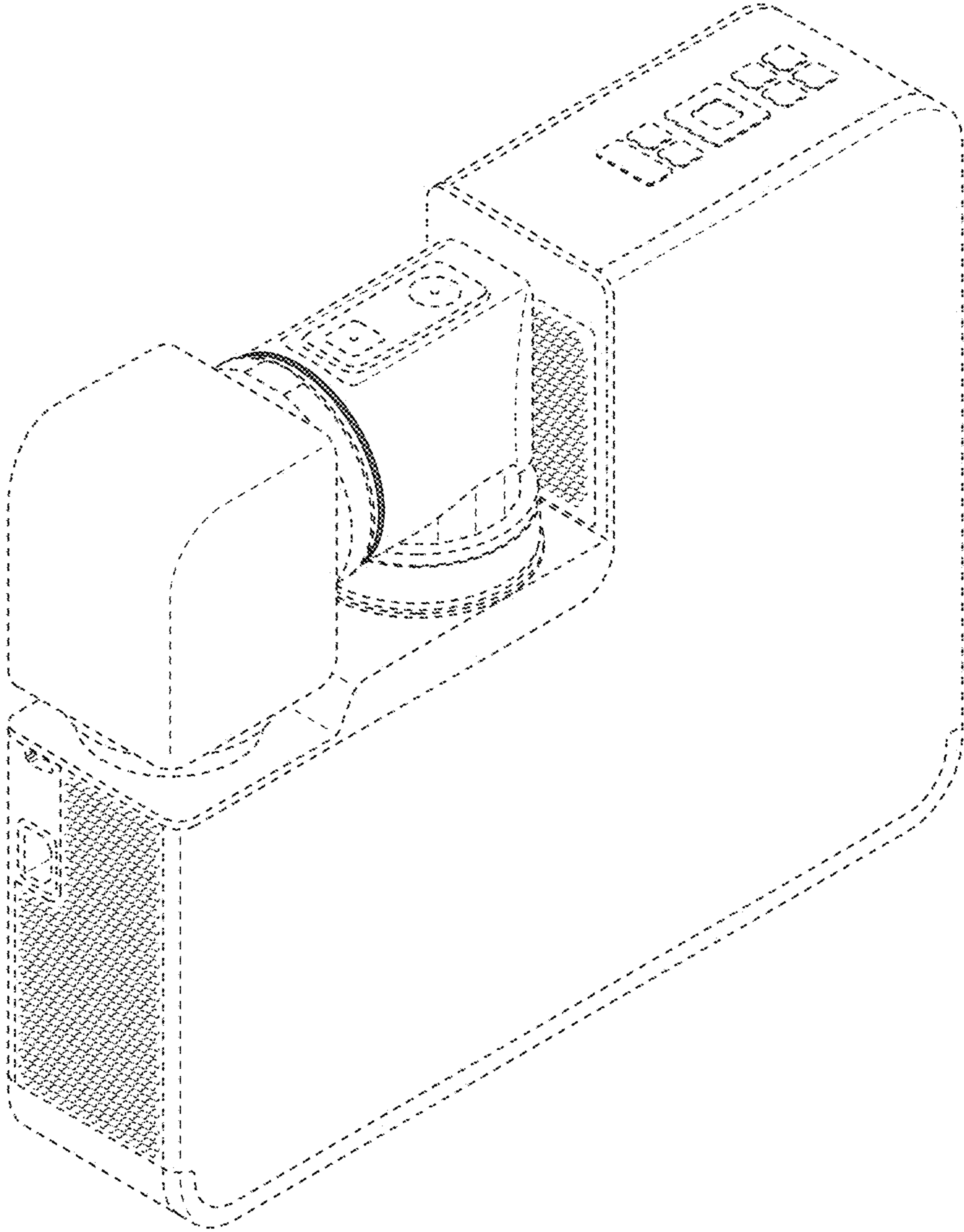


FIG. 9

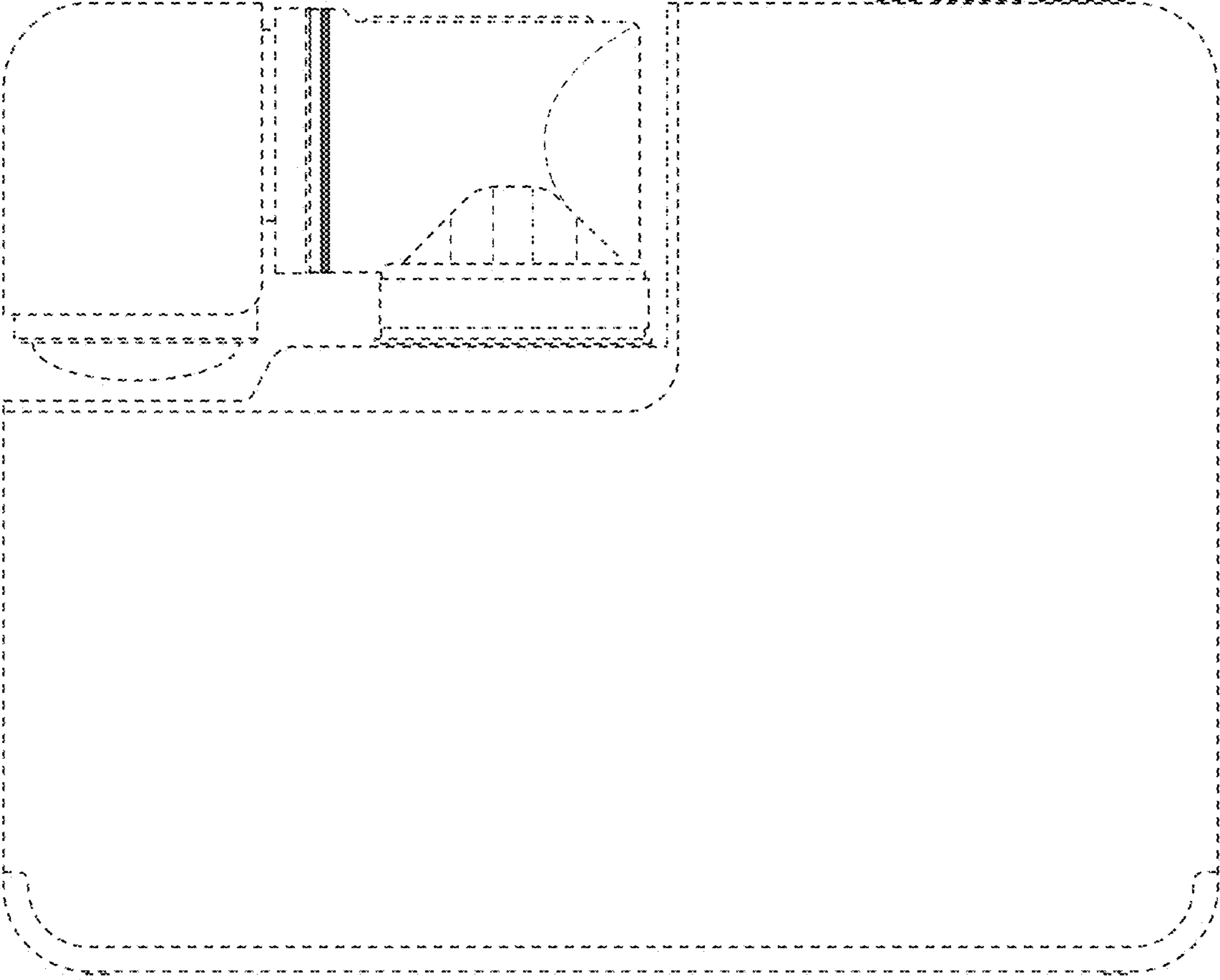


FIG. 10

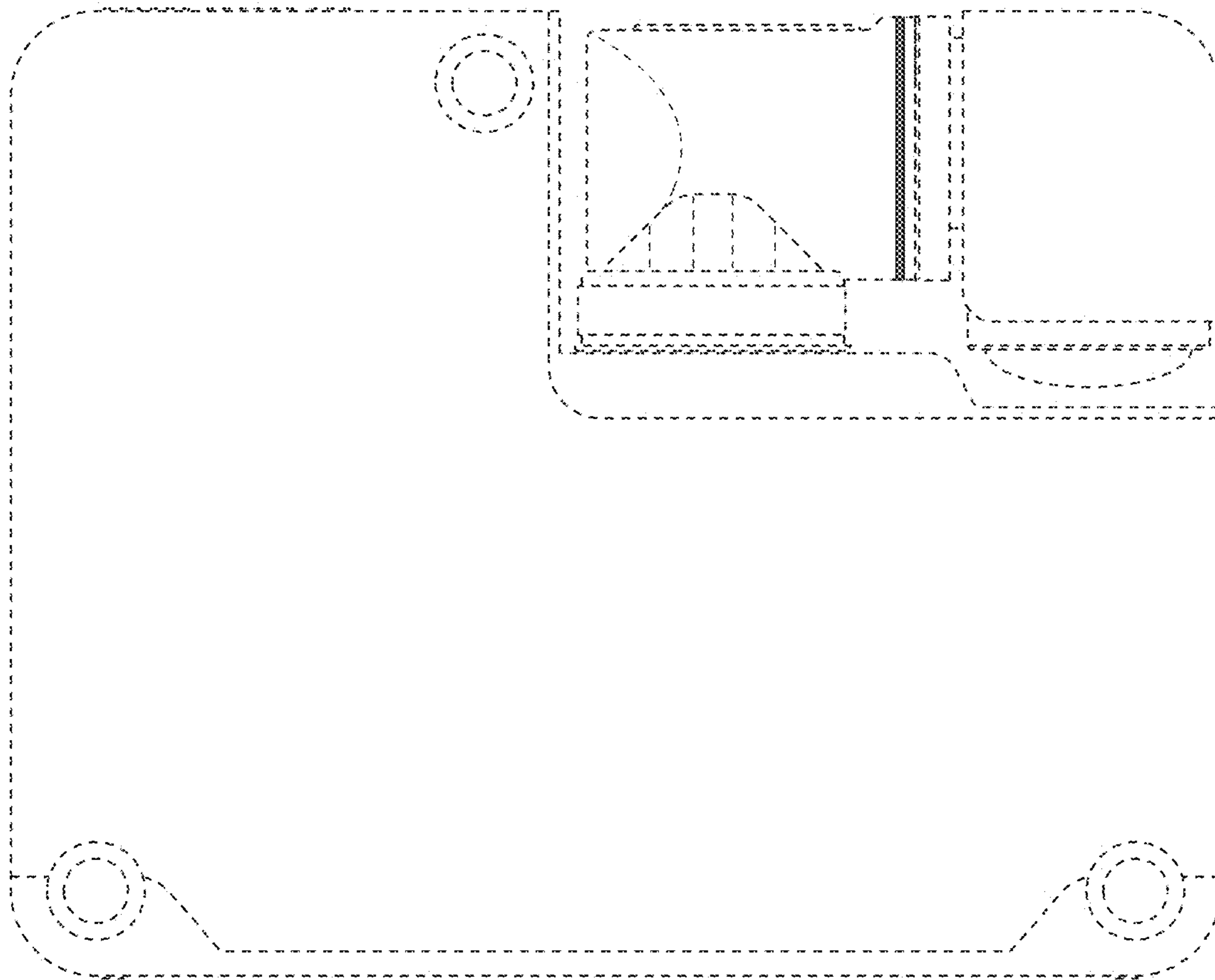


FIG. 11

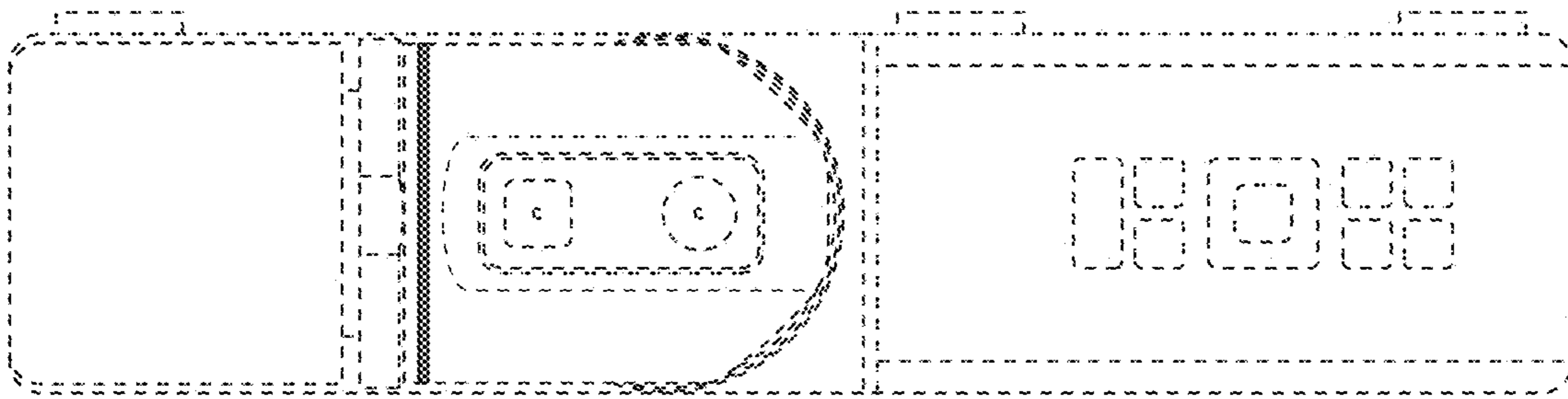


FIG. 12

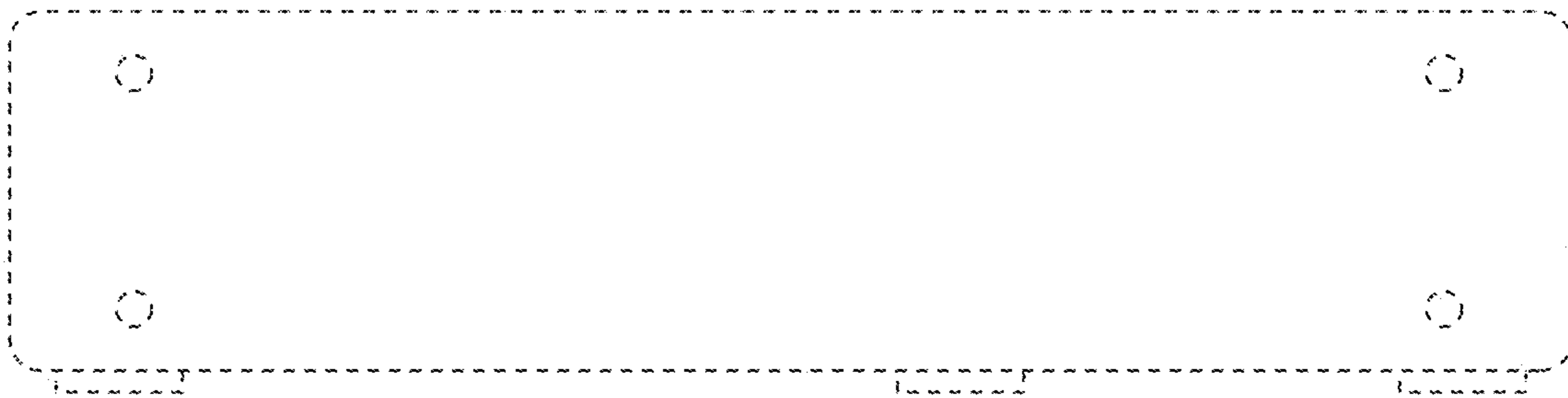


FIG. 13

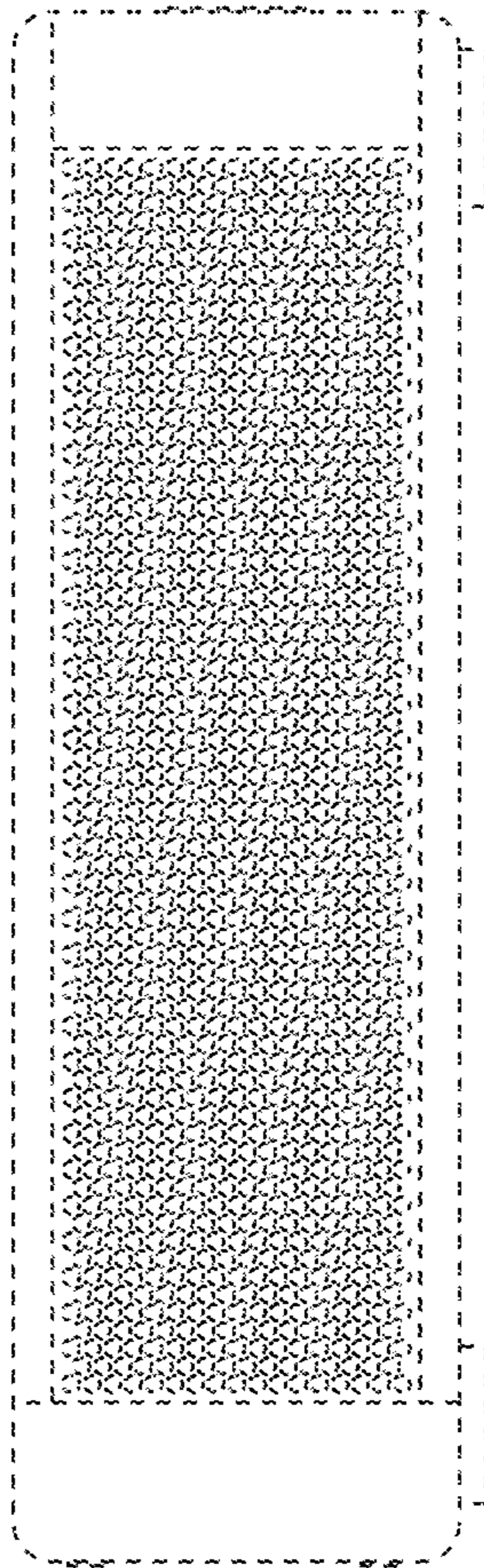


FIG. 14

