



US00D921090S

(12) **United States Design Patent**  
**Kashiwagi**

(10) **Patent No.:** **US D921,090 S**

(45) **Date of Patent:** **\*\* Jun. 1, 2021**

(54) **CAMERA LENS**

(71) Applicant: **CANON KABUSHIKI KAISHA,**  
Tokyo (JP)

(72) Inventor: **Yoshiyuki Kashiwagi,** Tokyo (JP)

(\*\*) Term: **15 Years**

(21) Appl. No.: **35/508,485**

(22) Filed: **Jul. 29, 2019**

(80) **Hague Agreement Data**

Int. Filing Date: **Jul. 29, 2019**

Int. Reg. No.: **DM/204186**

Int. Reg. Date: **Jul. 29, 2019**

Int. Reg. Pub. Date: **Jan. 31, 2020**

(30) **Foreign Application Priority Data**

Jan. 29, 2019 (JP) ..... 2019-001597

(51) **LOC (13) Cl.** ..... **16-05**

(52) **U.S. Cl.**  
USPC ..... **D16/219**

(58) **Field of Classification Search**

USPC ..... D16/134, 136, 200, 213, 218, 219, 220,  
D16/242, 245

CPC ..... G02B 7/00; G02B 7/026; G02B 23/16;  
G03B 7/00; G03B 17/02

See application file for complete search history.

(56) **References Cited**

**U.S. PATENT DOCUMENTS**

D119,256 S \* 3/1940 Darling ..... D16/219  
D357,491 S \* 4/1995 Takahashi ..... D16/134

D362,007 S *	9/1995	Takahashi	.....	D16/134
D441,382 S *	5/2001	Konno	.....	D16/134
D548,260 S *	8/2007	Nakamura	.....	D16/134
D548,262 S *	8/2007	Nakamura	.....	D16/134
D573,167 S *	7/2008	Kitera	.....	D16/134
D684,620 S *	6/2013	Kim	.....	D16/219
D696,333 S *	12/2013	Takahashi	.....	D16/219
D741,937 S *	10/2015	Park	.....	D16/219
D781,949 S *	3/2017	Lee	.....	D16/219
D786,954 S *	5/2017	Tagawa	.....	D16/219
D849,116 S *	5/2019	Lee	.....	D16/219
D858,612 S *	9/2019	Ikegame	.....	D16/219

\* cited by examiner

*Primary Examiner* — Holly E Thurman

(57) **CLAIM**

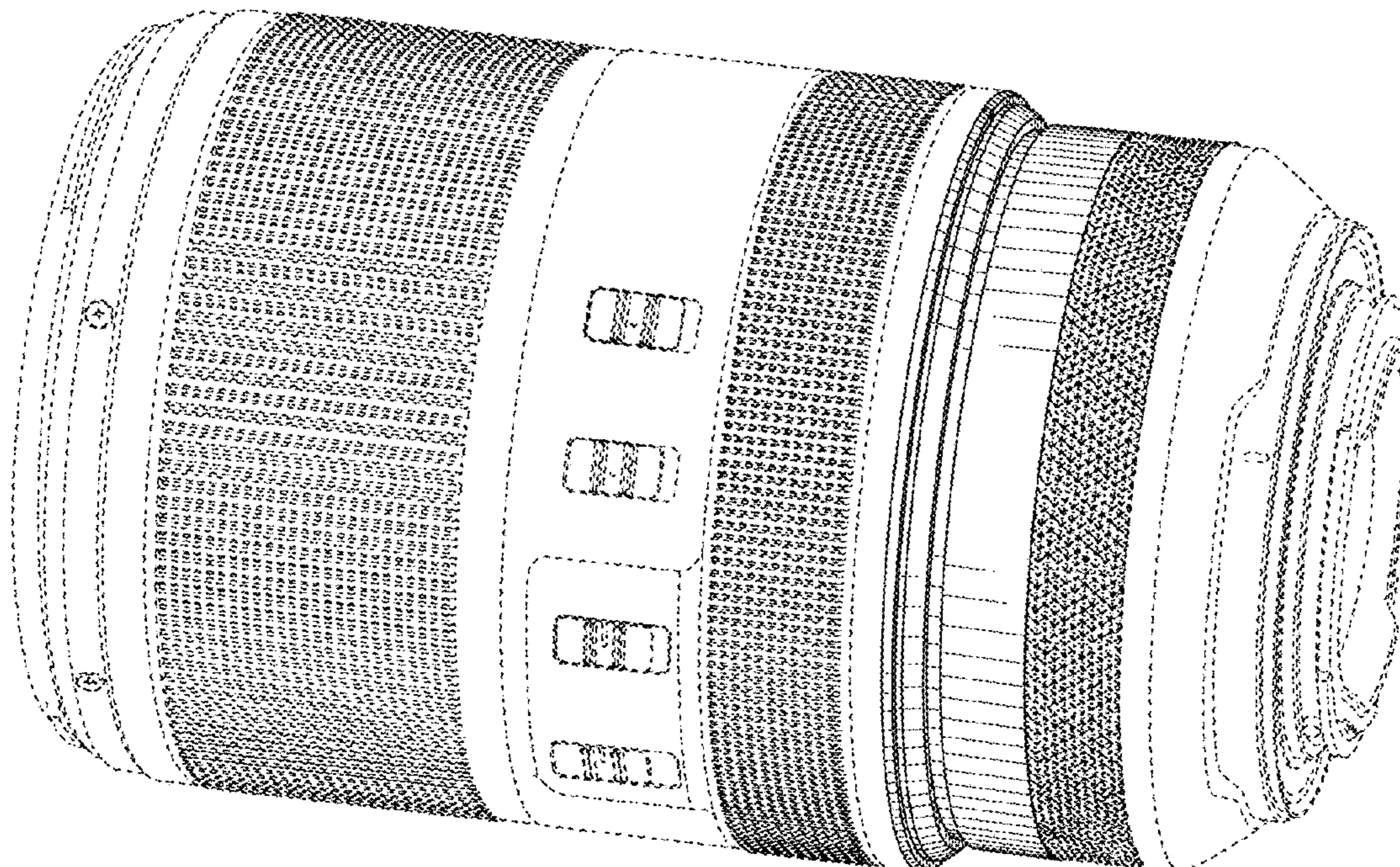
The ornamental design for a camera lens, as shown and described.

**DESCRIPTION**

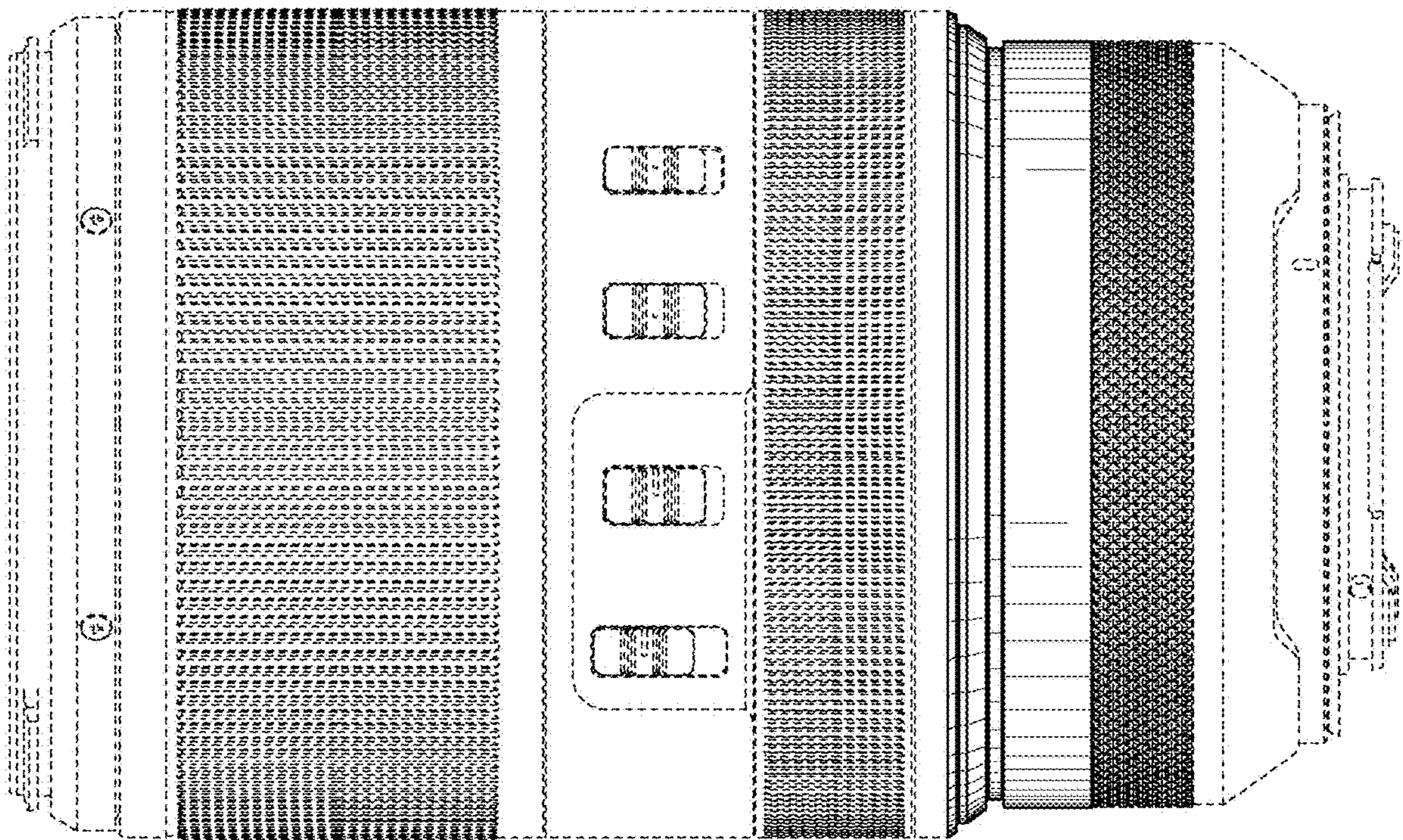
- 1. Camera lens
- 1.1 : Front
- 1.2 : Back
- 1.3 : Top
- 1.4 : Bottom
- 1.5 : Left
- 1.6 : Right
- 1.7 : Enlarged Cross-Sectional View of line A-A and line B-B in FIG. 1.9, cut along line C-C in FIG. 1.10
- 1.8 : Perspective
- 1.9 : Front
- 1.10 : Right

The broken lines in the drawings depict portions of the camera lens that form no part of the claimed design.

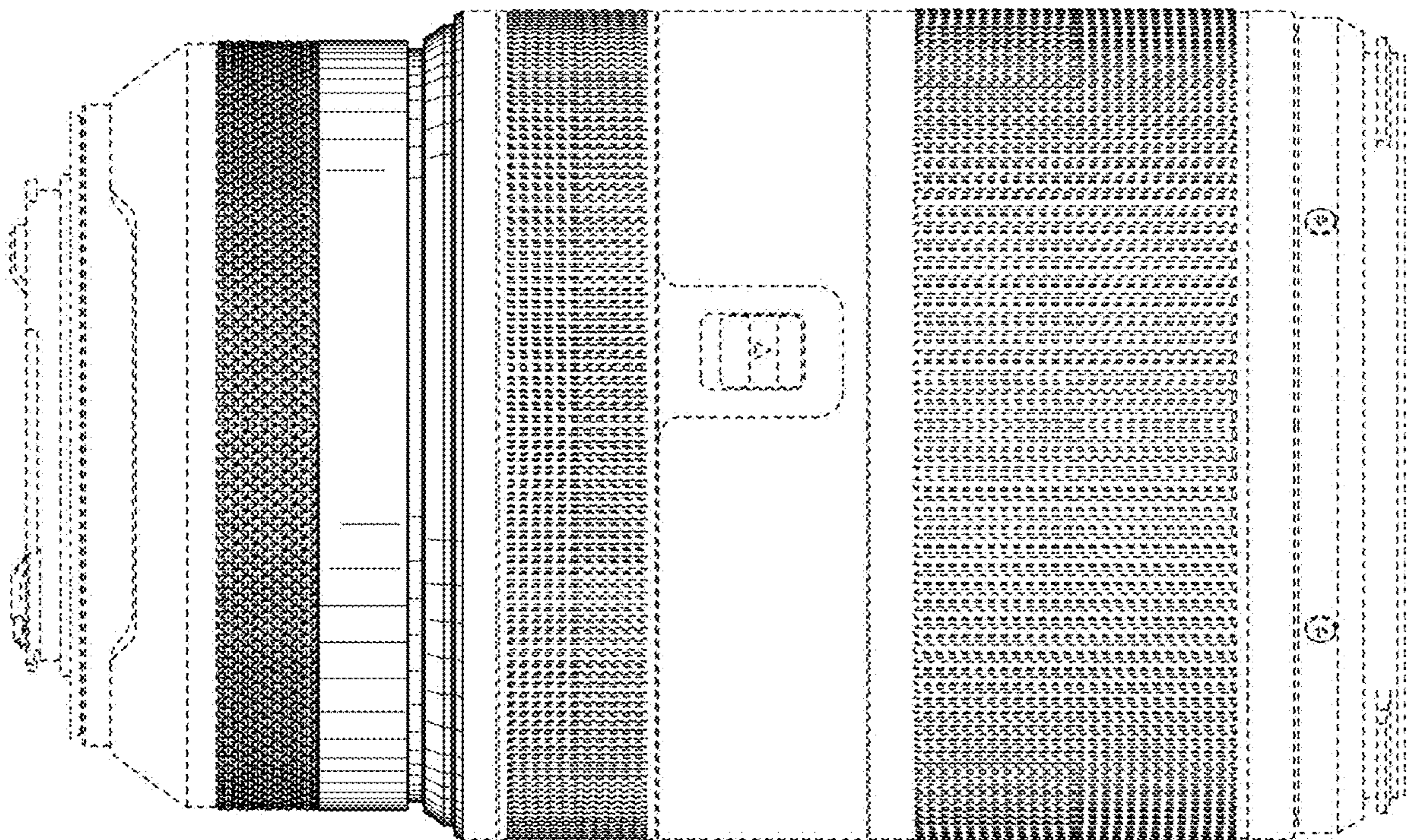
**1 Claim, 10 Drawing Sheets**



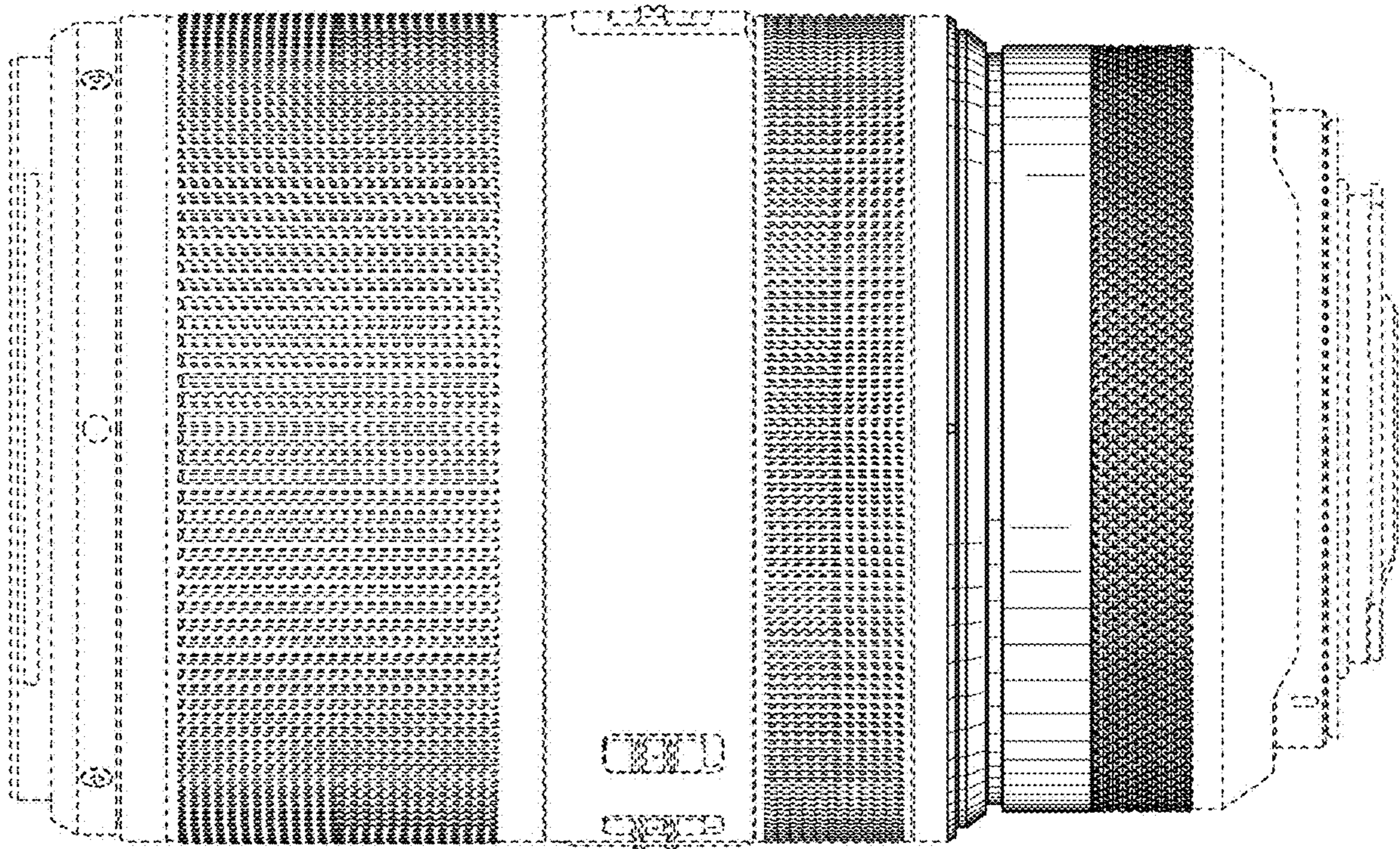
1.1



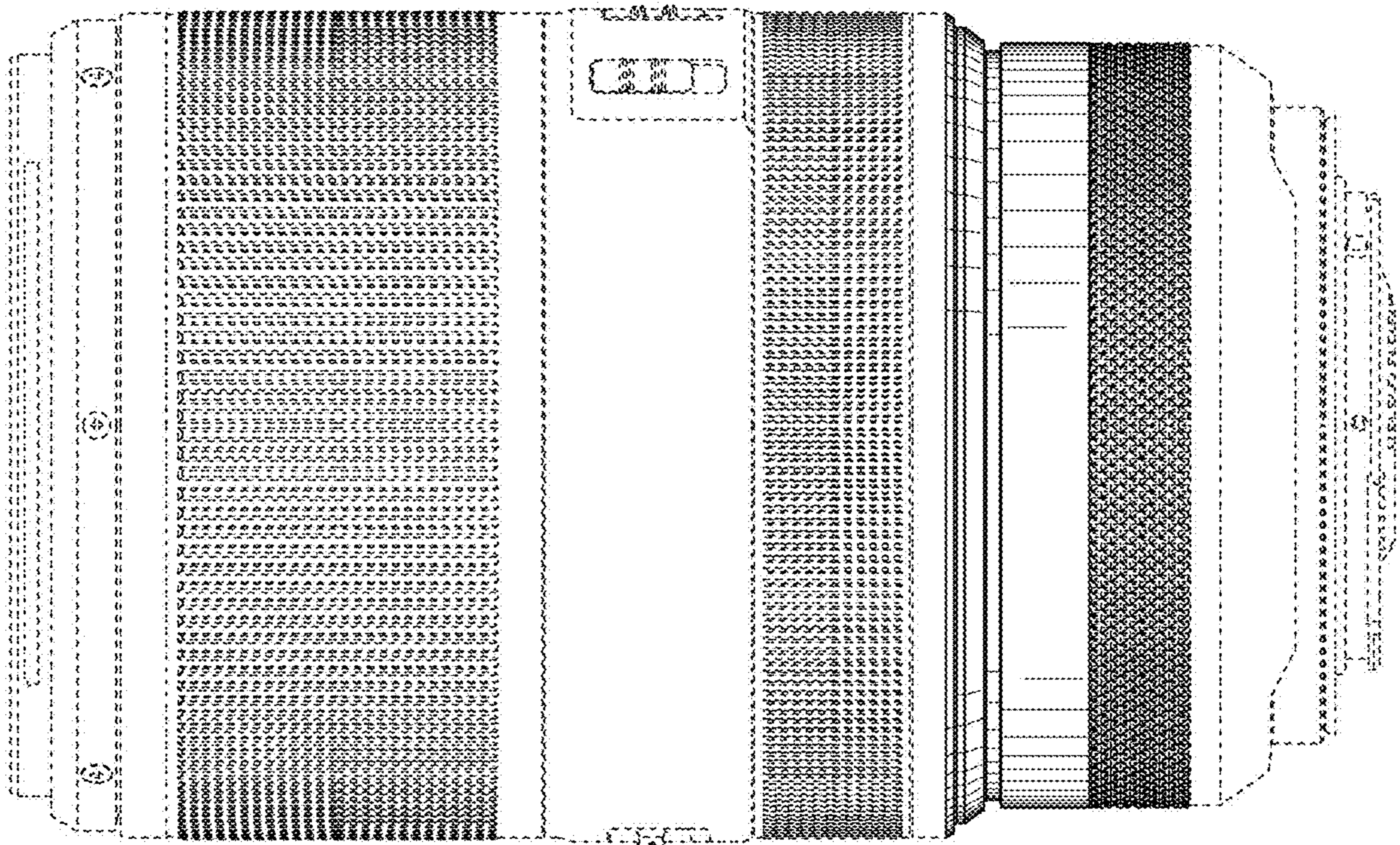
1.2



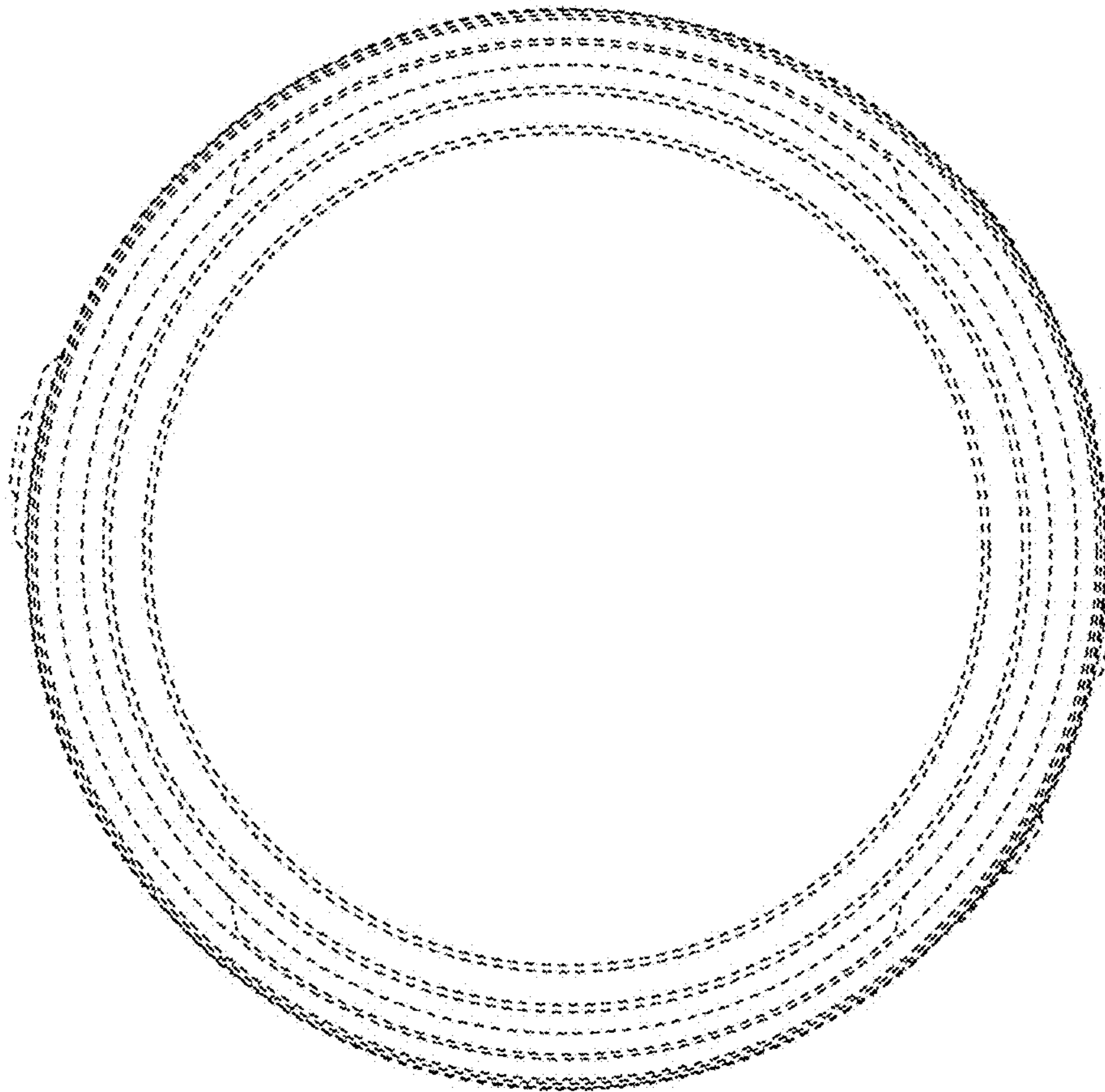
1.3



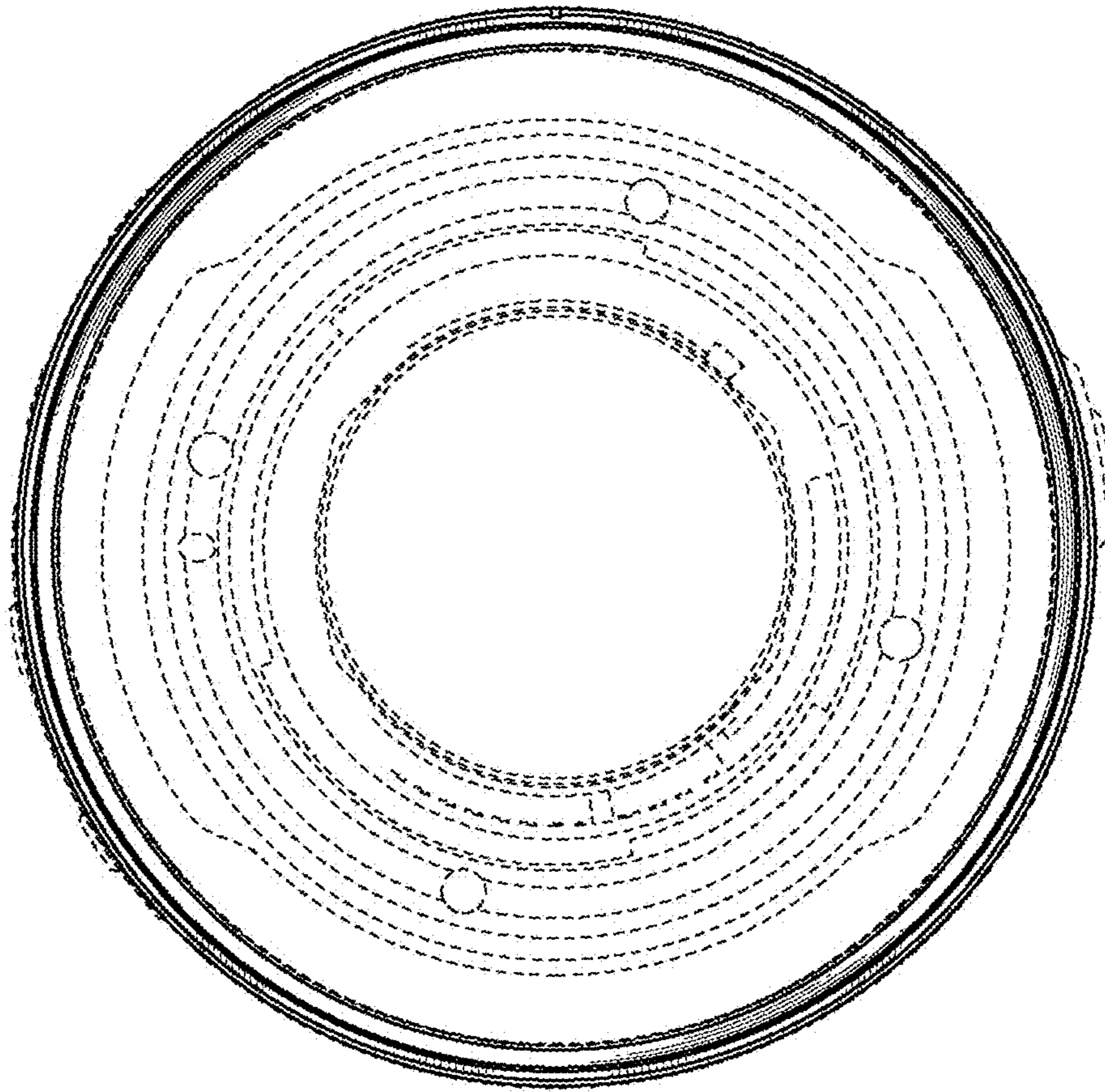
1.4

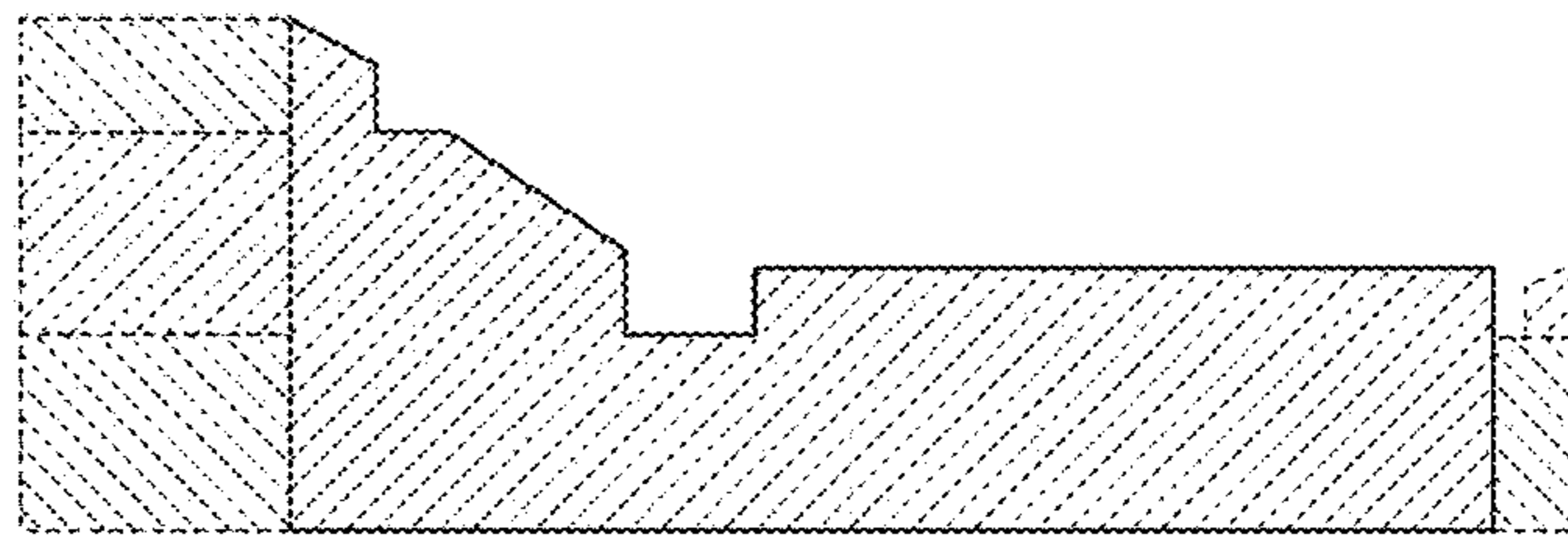


1.5



1.6

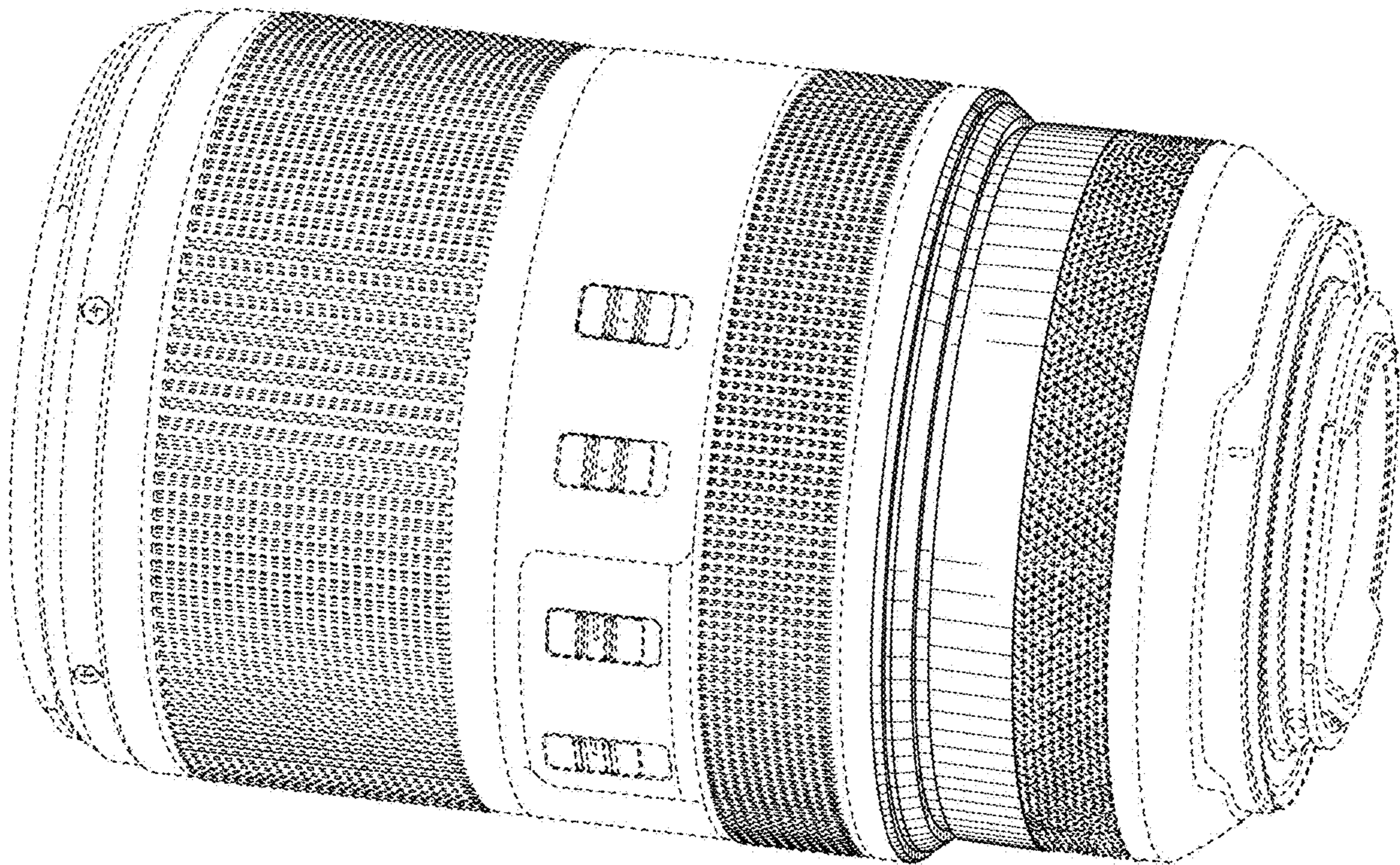


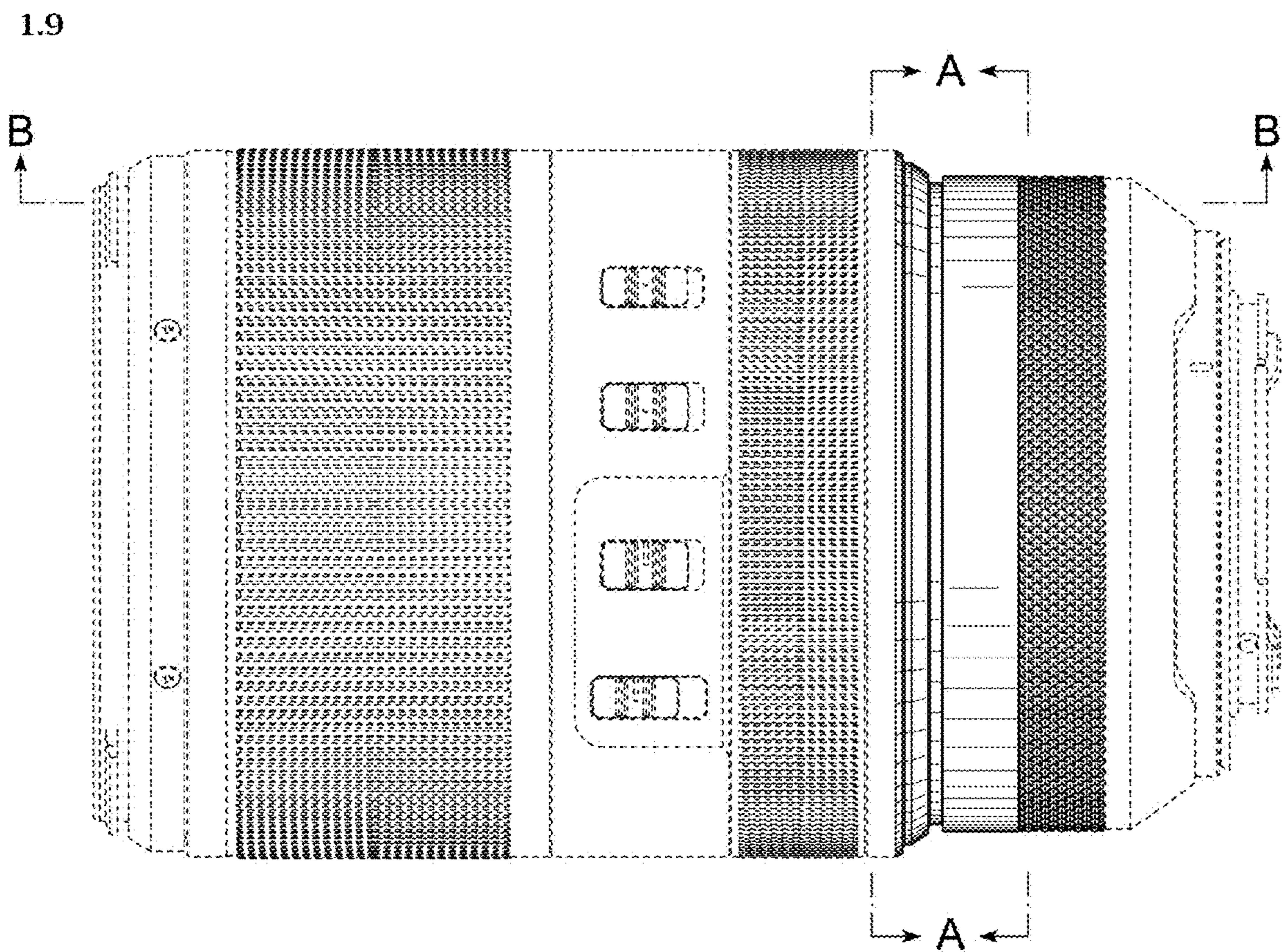


*FIG. 1.7*



1.8





1.10

