



US00D921088S

(12) **United States Design Patent**  
**Andres**

(10) **Patent No.:** **US D921,088 S**  
(45) **Date of Patent:** **\*\* Jun. 1, 2021**

- (54) **MOBILE PHOTO APPARATUS**
- (71) Applicant: **Marlon Andres**, West Covina, CA (US)
- (72) Inventor: **Marlon Andres**, West Covina, CA (US)
- (\*\*) Term: **15 Years**
- (21) Appl. No.: **29/608,143**
- (22) Filed: **Jun. 20, 2017**
- (51) **LOC (13) Cl.** ..... **16-01**
- (52) **U.S. Cl.**  
USPC ..... **D16/214; D16/215**
- (58) **Field of Classification Search**  
USPC ..... D16/200, 202–206, 212, 214–216, 218,  
D16/219, 227, 229, 235, 239, 240, 242,  
D16/244; D25/16; 52/27.5, 29, 36.1;  
348/373–376; 396/2, 3, 5, 419, 424, 427,  
396/429, 535, 539–541; 455/575.3  
CPC ..... G03B 15/00; G03B 15/03; G03B 15/06;  
G03B 17/02; G03B 17/04; G03B 17/53;  
G03B 17/56; G03B 19/04; H04N 5/2251;  
H04N 5/2252; H04N 5/2253; H04N  
5/2254; H04N 2101/00  
See application file for complete search history.

- D782,558 S \* 3/2017 Tabuchi ..... D16/214
- D785,694 S \* 5/2017 Fujii ..... D16/214
- D819,713 S \* 6/2018 Pickett ..... D16/202
- D824,986 S \* 8/2018 Bartram ..... D16/214
- D825,637 S \* 8/2018 Moon ..... D16/203
- D840,461 S \* 2/2019 Bartram ..... D16/214
- D854,598 S \* 7/2019 Hsieh ..... D16/214

\* cited by examiner

*Primary Examiner* — Ramzi S Almatrahi  
(74) *Attorney, Agent, or Firm* — Kafantaris Law Offices;  
Theo Kafantaris

(57) **CLAIM**

The ornamental design for a mobile photo apparatus, as shown and described.

**DESCRIPTION**

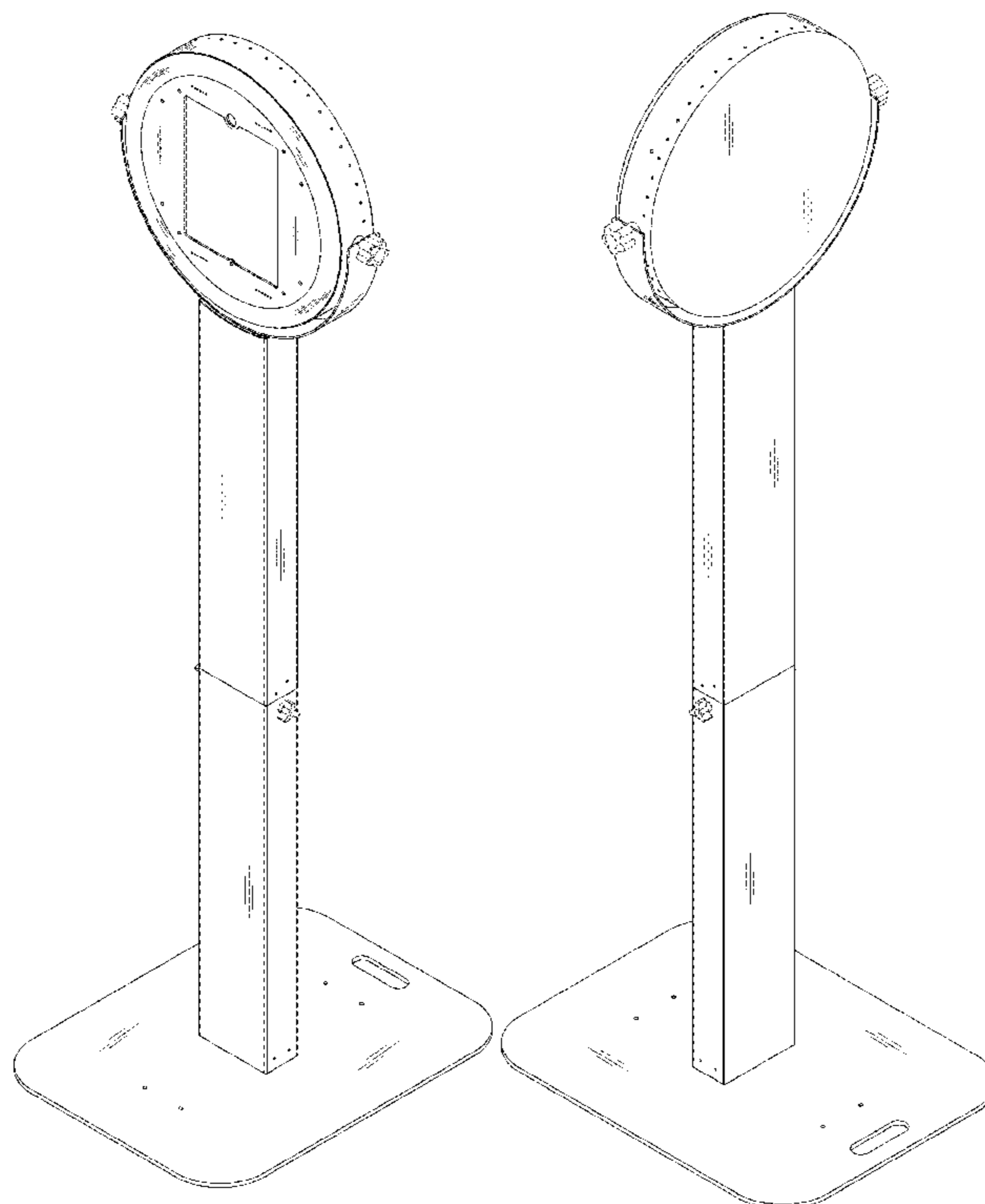
FIG. 1 is a front perspective view of a mobile photo apparatus showing my new design;  
 FIG. 2 is a front elevational view thereof;  
 FIG. 3 is a rear elevational view thereof;  
 FIG. 4 is a right side elevational view thereof;  
 FIG. 5 is a right side elevational view thereof, shown with the mobile photo apparatus head tilted in an alternate position;  
 FIG. 6 is an enlarged scale top plan view of the mobile photo apparatus shown in FIG. 1; and,  
 FIG. 7 is a rear perspective view thereof.  
 The broken lines depict portions of the mobile photo apparatus in which the design is embodied that form no part of the claimed design.

**1 Claim, 7 Drawing Sheets**

(56) **References Cited**

**U.S. PATENT DOCUMENTS**

- D312,829 S \* 12/1990 Kuroki ..... D16/214
- D721,757 S \* 1/2015 Shepard ..... D16/214
- D729,296 S \* 5/2015 Shelton ..... D16/202
- D733,208 S \* 6/2015 Tzarnotzky ..... D16/207
- D755,876 S \* 5/2016 Moss ..... D16/214



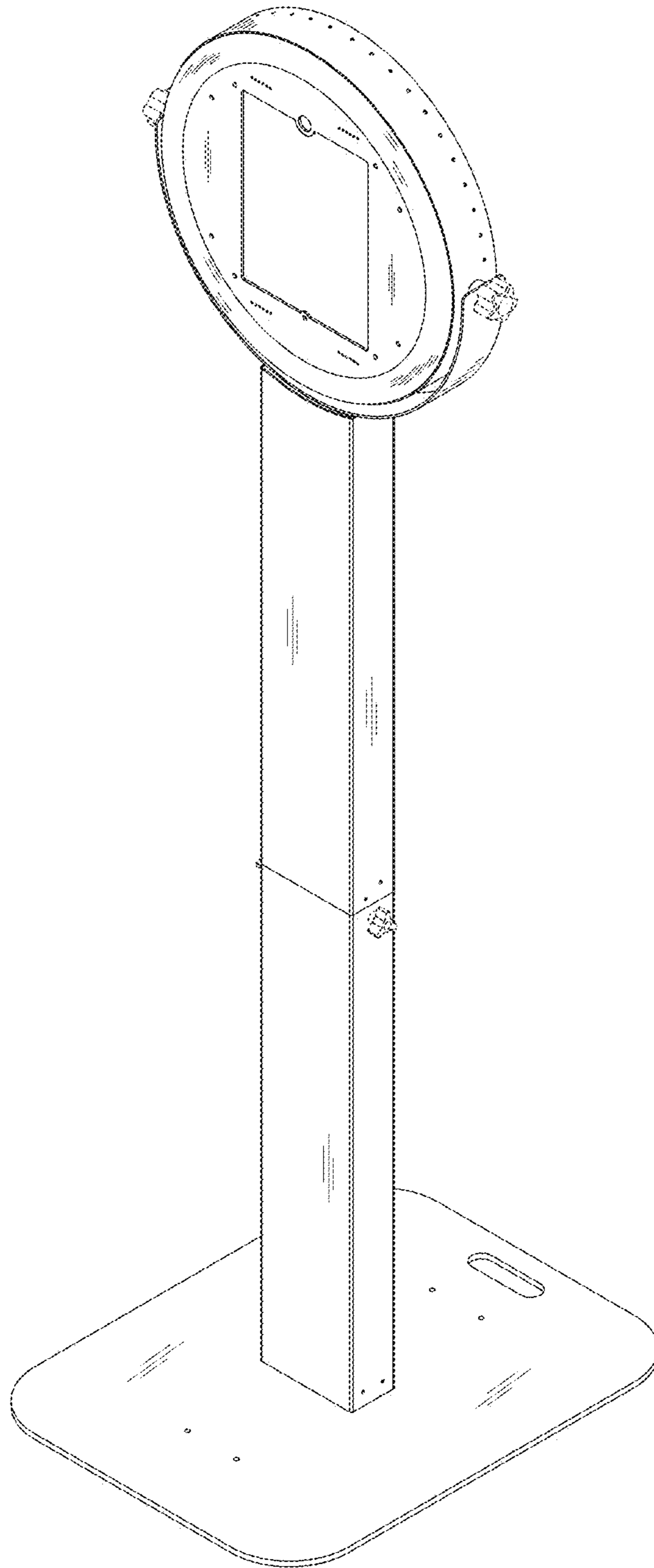


FIG. 1

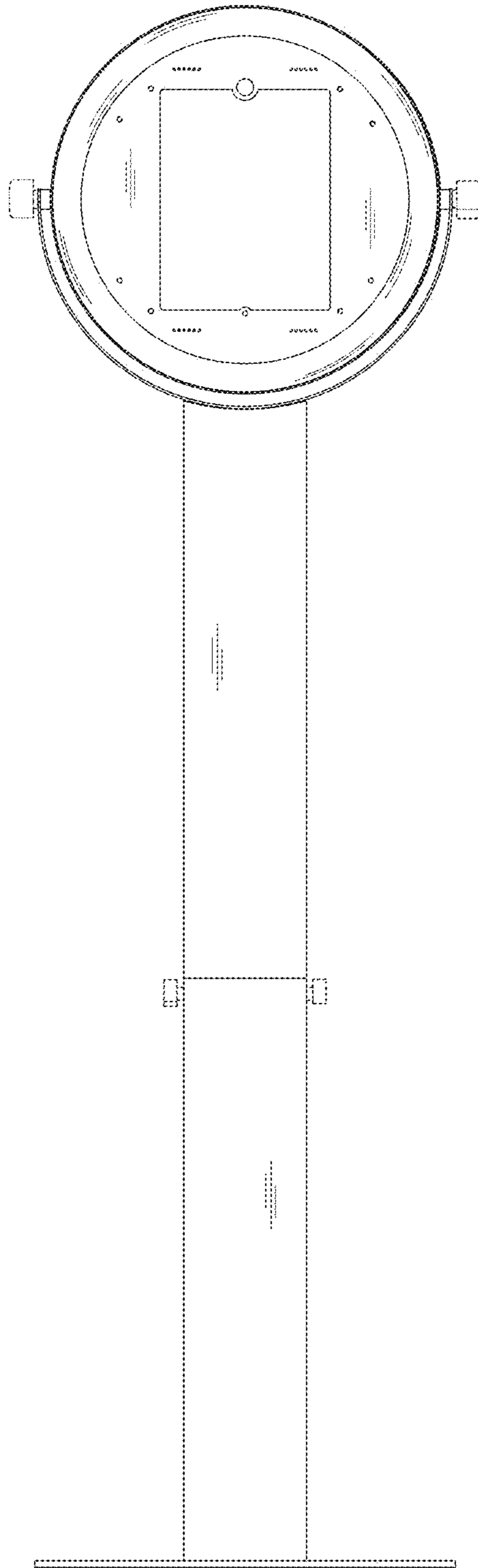


FIG. 2

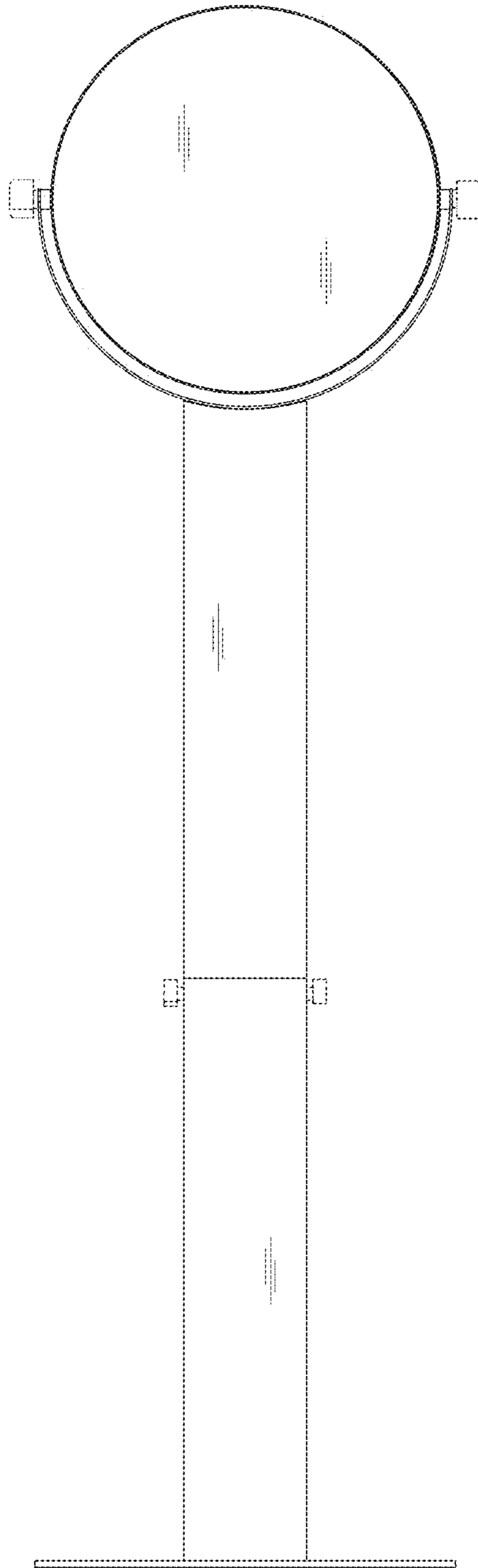


FIG. 3

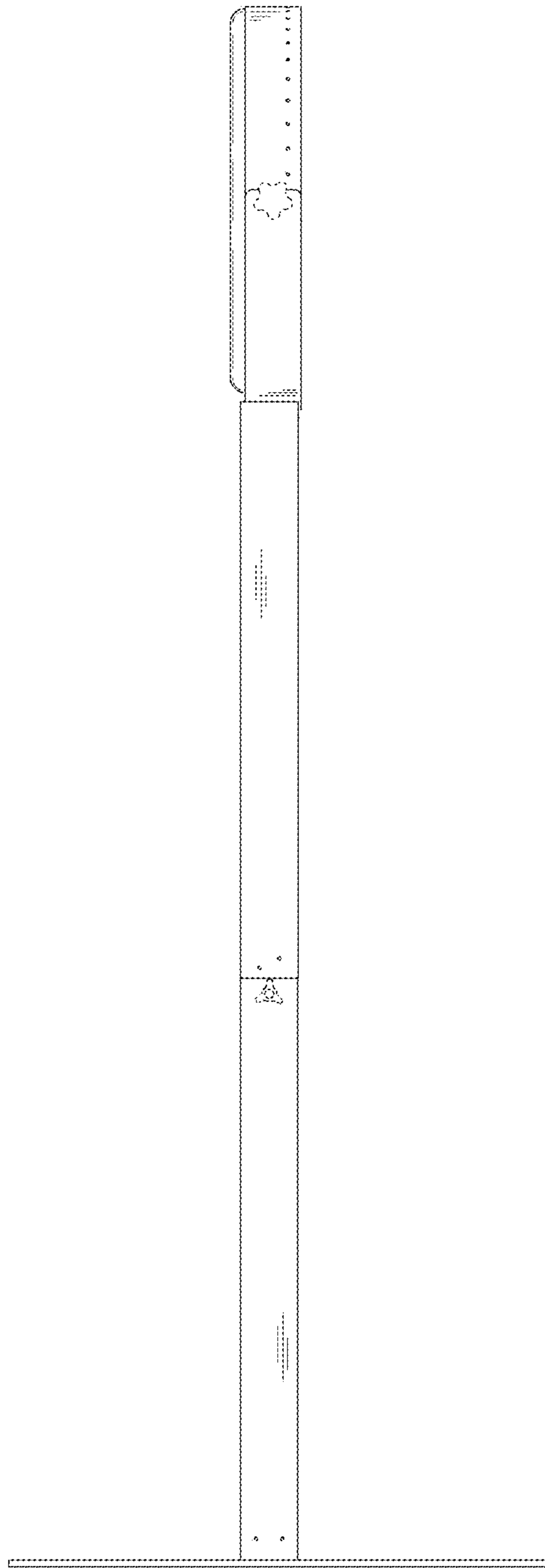


FIG. 4

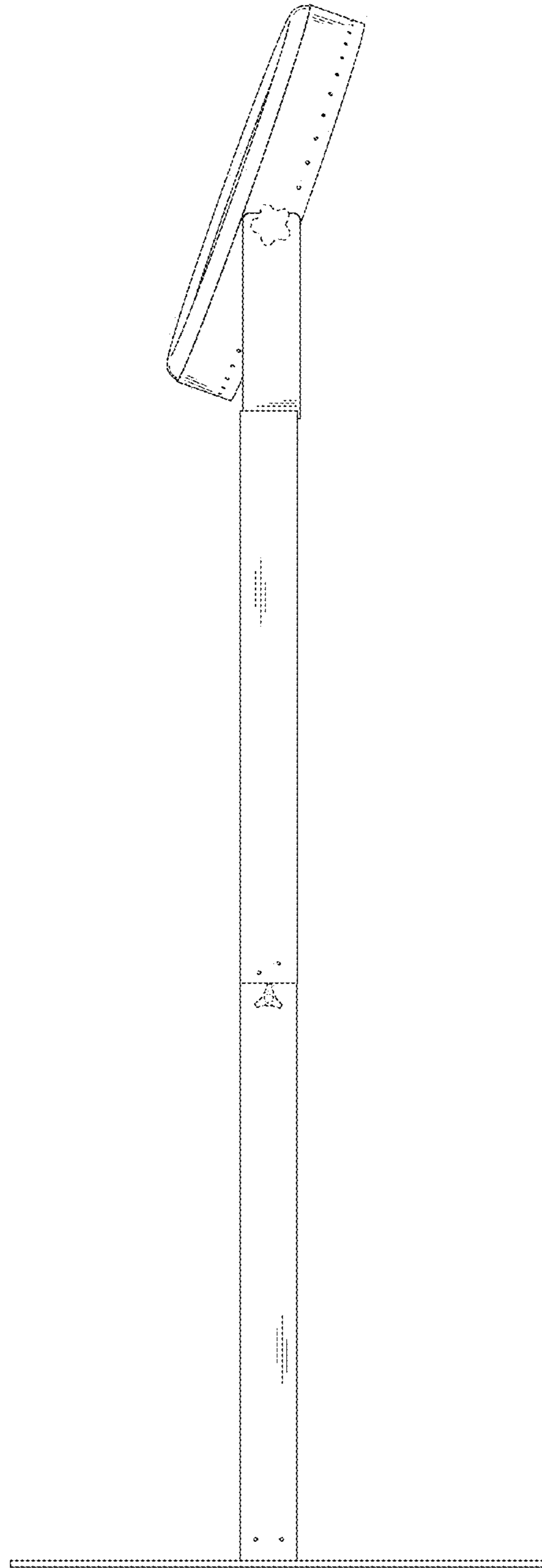


FIG. 5

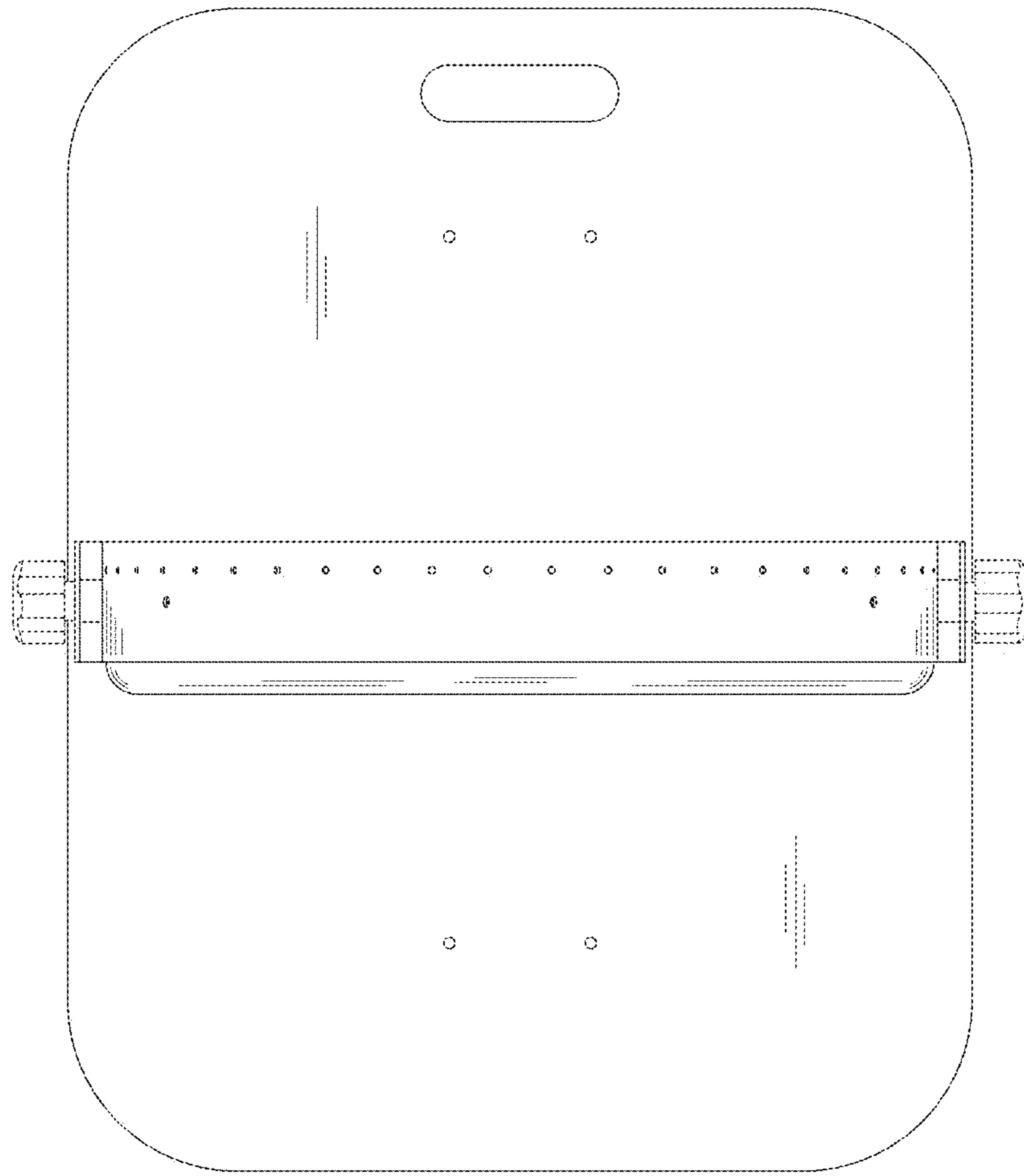


FIG. 6

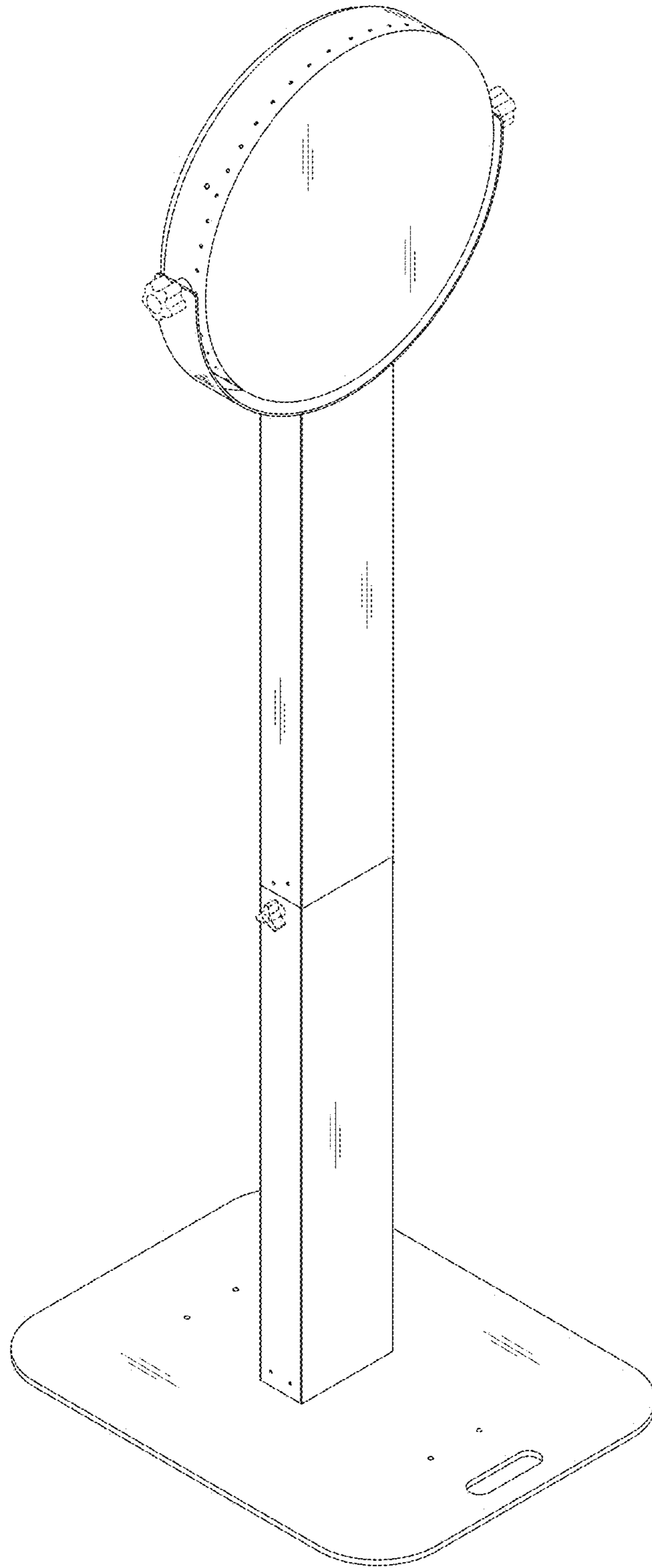


FIG. 7