



US00D921087S

(12) **United States Design Patent**
Tsukamaki et al.

(10) **Patent No.:** **US D921,087 S**
(45) **Date of Patent:** **** Jun. 1, 2021**

(54) **PORTABLE FIBER OPTIC CAMERA**
(71) Applicant: **Fluke Corporation**, Everett, WA (US)
(72) Inventors: **Scott Tsukamaki**, Kirkland, WA (US);
Wayne S. Hoofnagle, Kirkland, WA (US); **Roger Howell**, Seattle, WA (US)
(73) Assignee: **Fluke Corporation**, Everett, WA (US)
(**) Term: **15 Years**

(21) Appl. No.: **29/619,008**
(22) Filed: **Sep. 26, 2017**
(51) **LOC (13) Cl.** **16-01**
(52) **U.S. Cl.**
USPC **D16/206**
(58) **Field of Classification Search**
USPC D16/200, 202–206, 208, 218, 219, 242;
348/164, 347, 373–376; 396/535,
396/539–541; 250/330, 332; D10/46,
D10/47, 52, 53, 57
CPC G03B 15/03; G03B 17/02; G03B 17/04;
G03B 17/56; G03B 19/04; H04N 5/2251;
H04N 5/2252; H04N 5/2253; H04N
5/2254; H04N 2101/00; H04N 5/33;
H04N 5/332
See application file for complete search history.

(56) **References Cited**
U.S. PATENT DOCUMENTS
D245,584 S * 8/1977 Byram D10/47
D549,114 S * 8/2007 Sebban D10/57
D583,262 S * 12/2008 Flandin D10/57
D665,440 S * 8/2012 Sigward D16/206
D666,928 S * 9/2012 Elrod D10/57
D668,561 S * 10/2012 Dunkin D10/57
D710,424 S * 8/2014 Hallgren D16/206
D723,605 S * 3/2015 Palm D16/206

D731,909 S * 6/2015 Weakly D10/81
D741,390 S * 10/2015 Mayeur D16/206
D780,245 S * 2/2017 Ruback D16/206
D805,571 S * 12/2017 Hogstedt D16/206
D849,574 S * 5/2019 Sanders D10/78
D870,182 S * 12/2019 Lin D16/206
2004/0129881 A1* 7/2004 Hamrelius G01J 5/025
250/330
2014/0002668 A1* 1/2014 Nguyen G01J 5/0205
348/164
2014/0028854 A1* 1/2014 Heinke H04N 5/33
348/164

* cited by examiner

Primary Examiner — Ramzi S Almatrahi
(74) *Attorney, Agent, or Firm* — Seed Intellectual
Property Law Group LLP

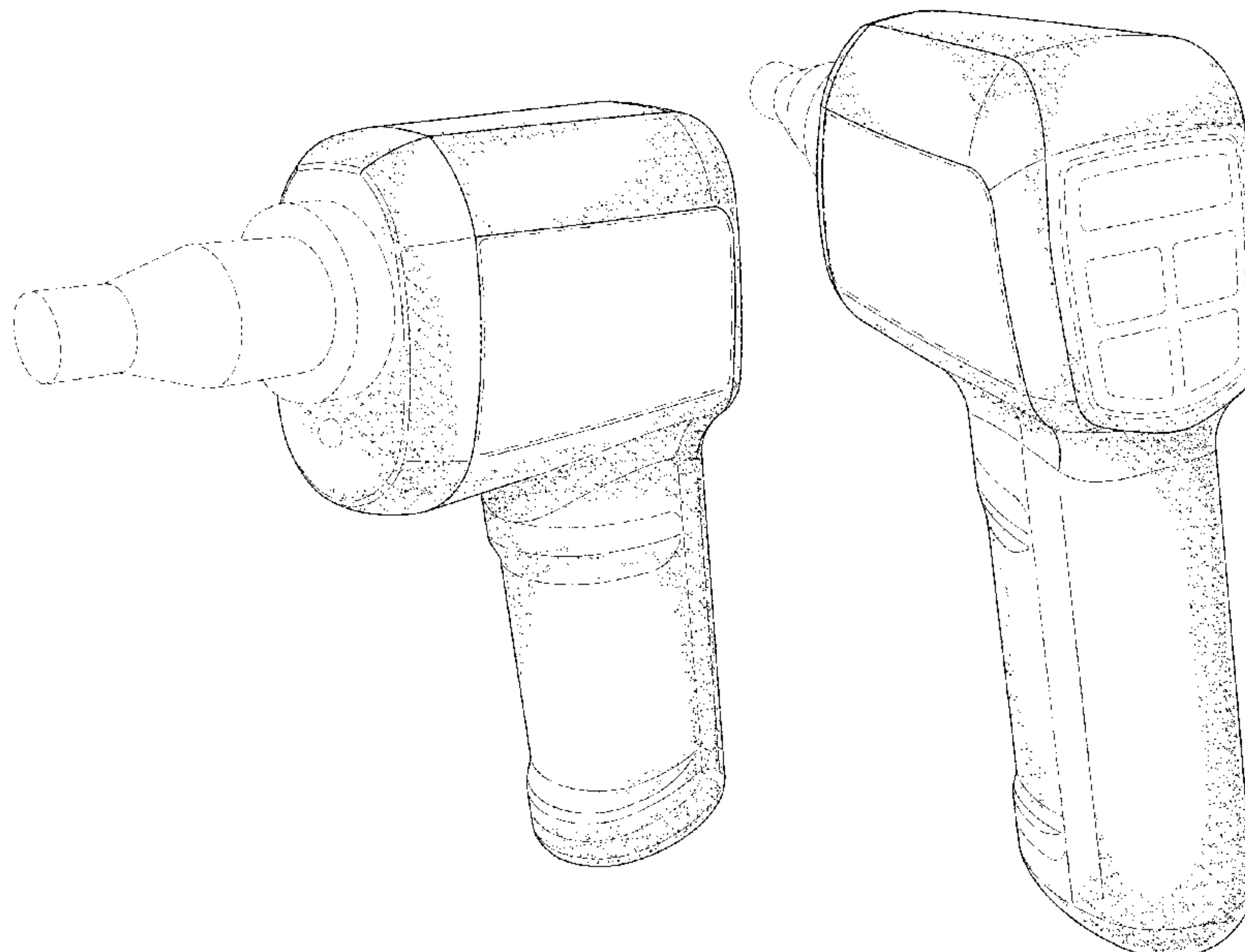
(57) **CLAIM**

The ornamental design for a portable fiber optic camera, as shown and described.

DESCRIPTION

FIG. 1 is a front and right side perspective view of a portable fiber optic camera showing our new design.
FIG. 2 is a rear and right side perspective view thereof.
FIG. 3 is a left side elevation view thereof.
FIG. 4 is a right side elevation view thereof.
FIG. 5 is a rear elevation view thereof.
FIG. 6 is a front elevation view thereof.
FIG. 7 is a top plan view thereof; and,
FIG. 8 is a bottom plan view thereof.
The broken lines depict portions of the portable fiber optic camera in which the design is embodied that form no part of the claimed design. Additionally, the dash-dot lines on the left, right, and rear sides of the portable fiber optic camera denote the boundary of the claim and form no part of the claimed design.

1 Claim, 6 Drawing Sheets



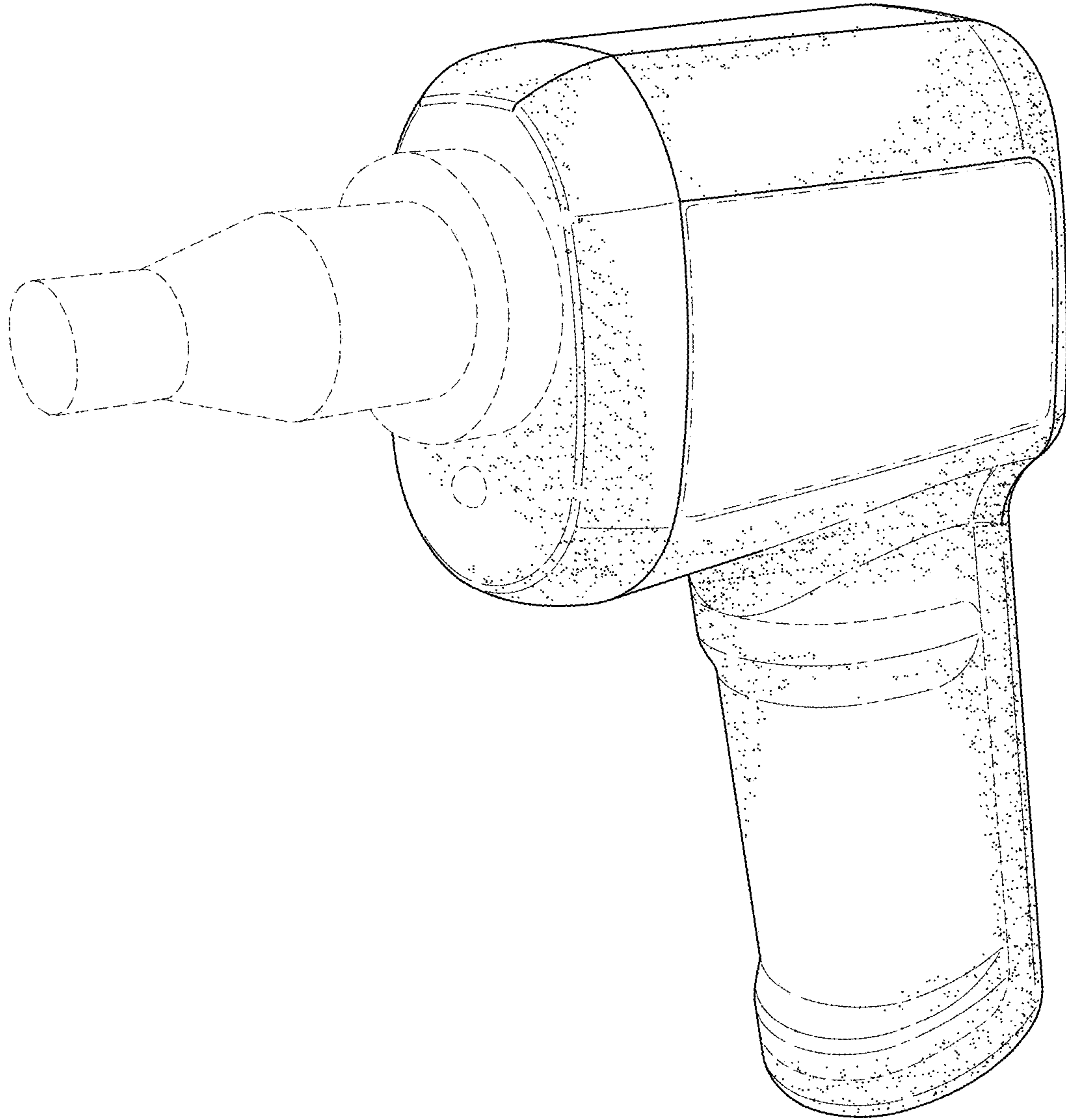


FIG. 1

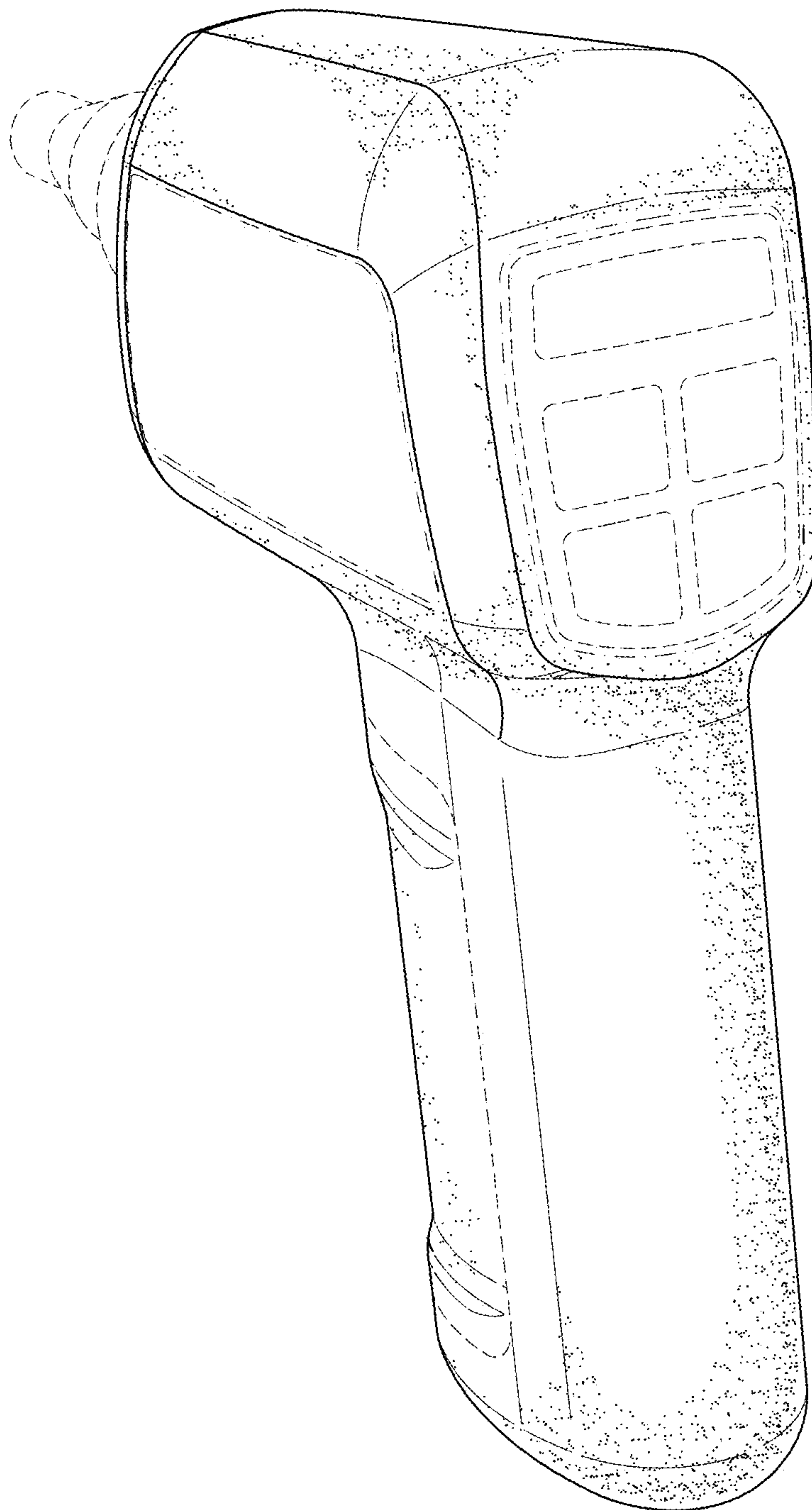


FIG. 2

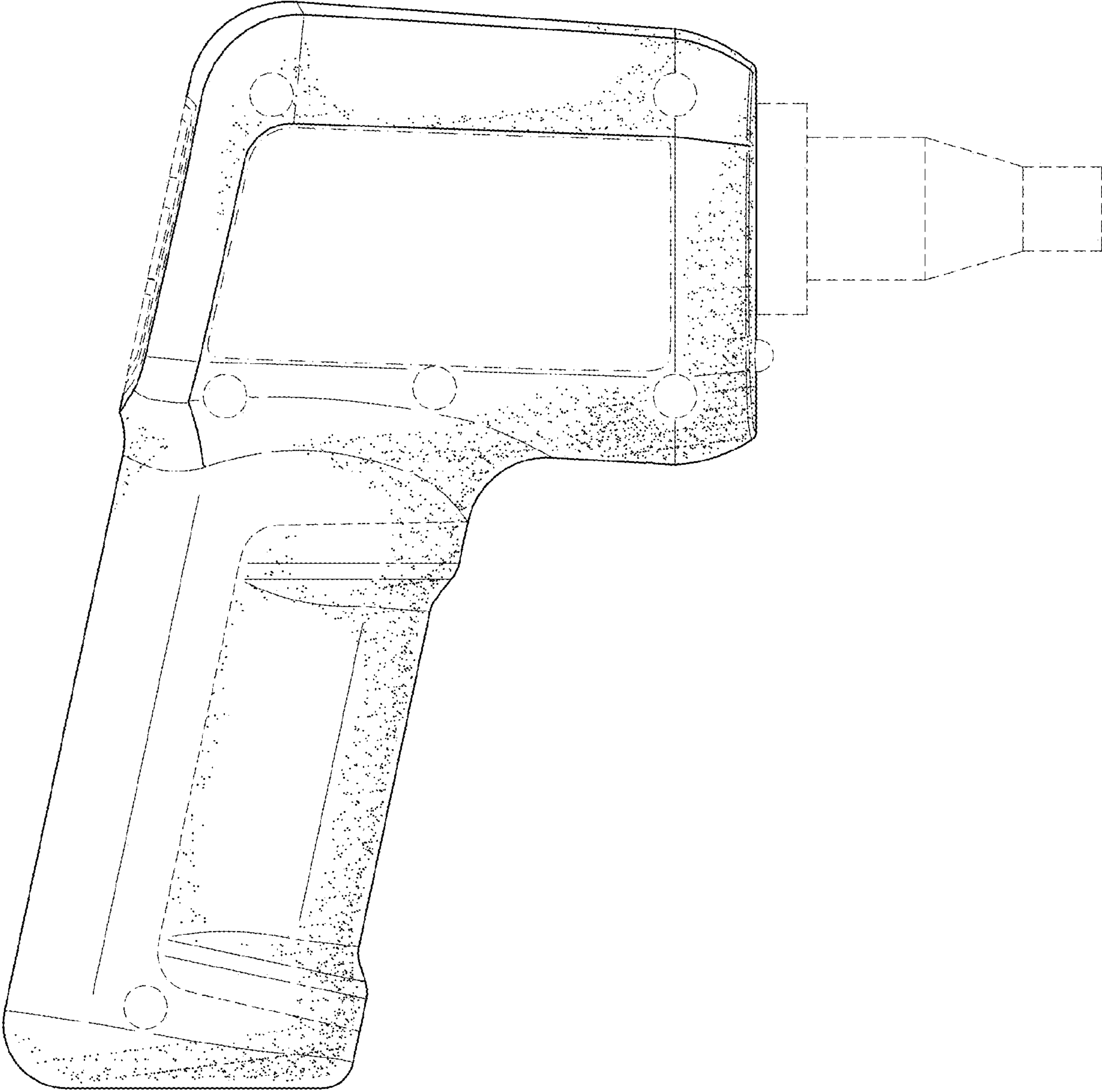


FIG. 3

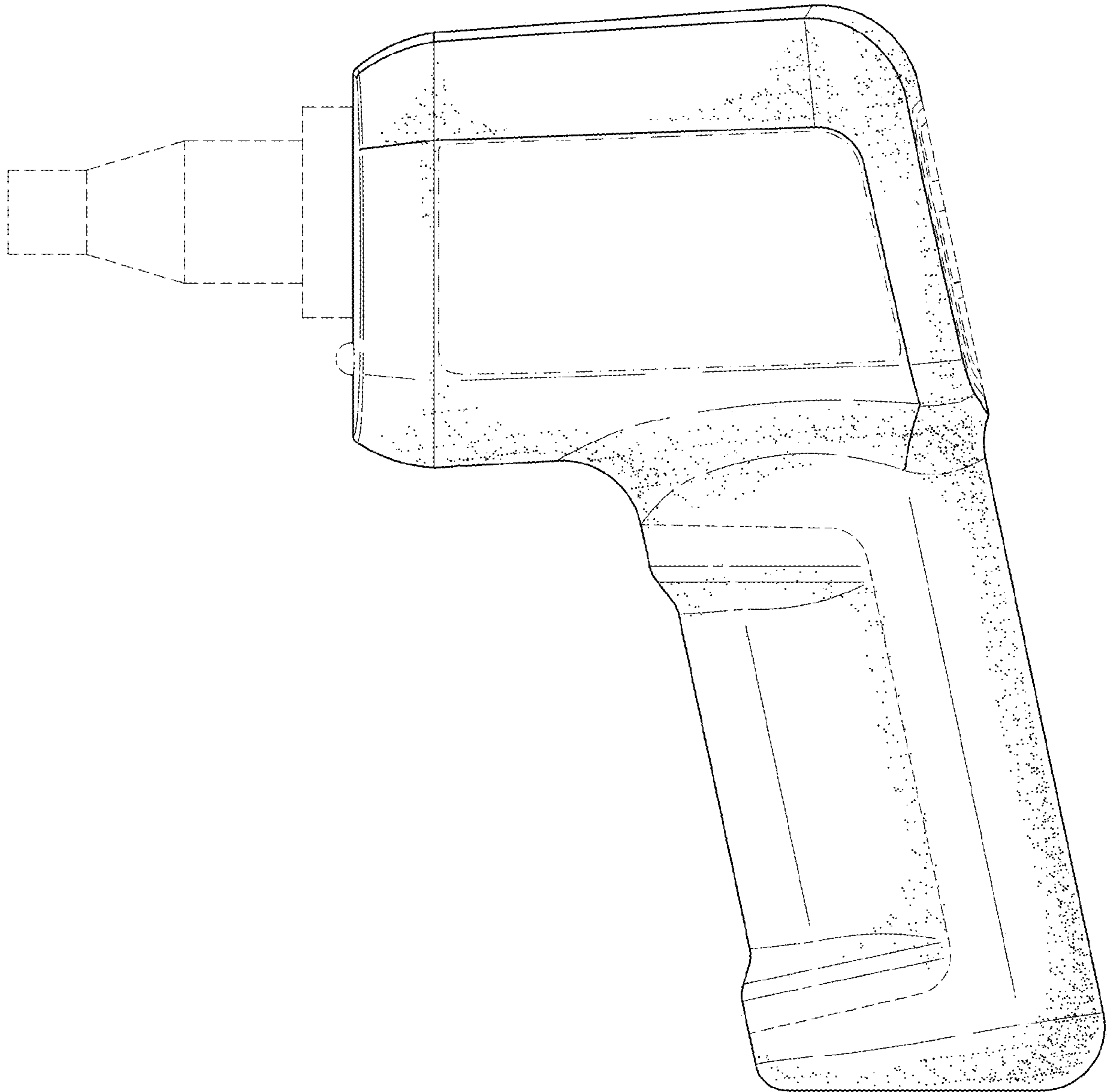


FIG. 4

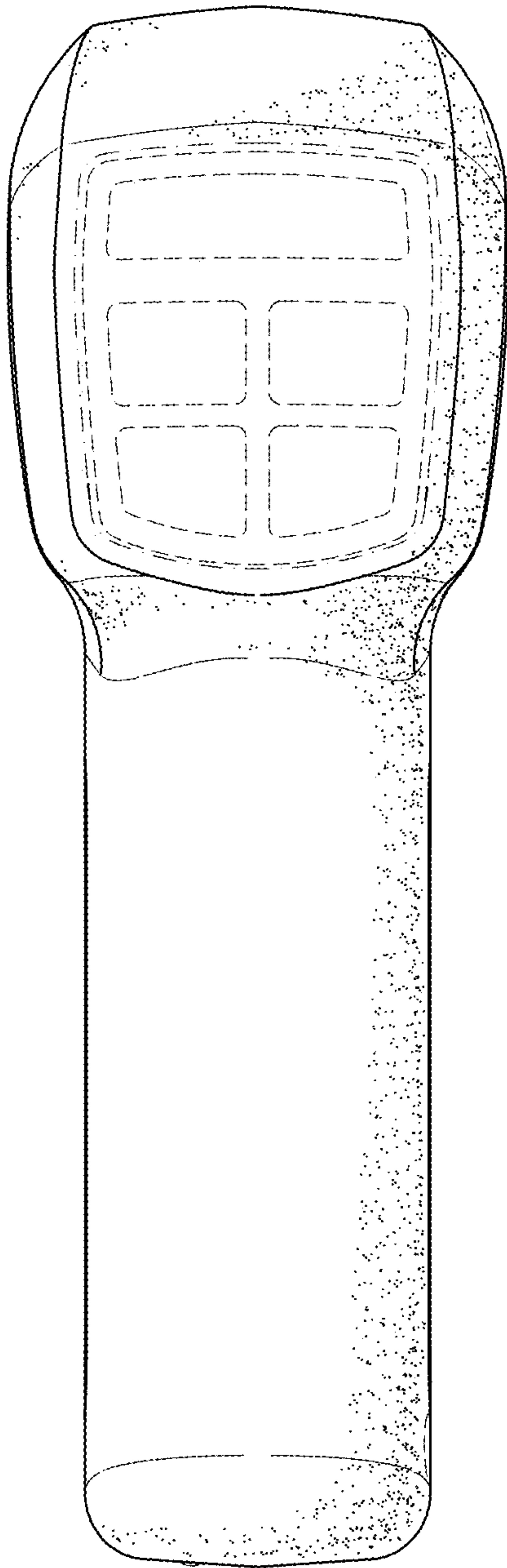


FIG. 5

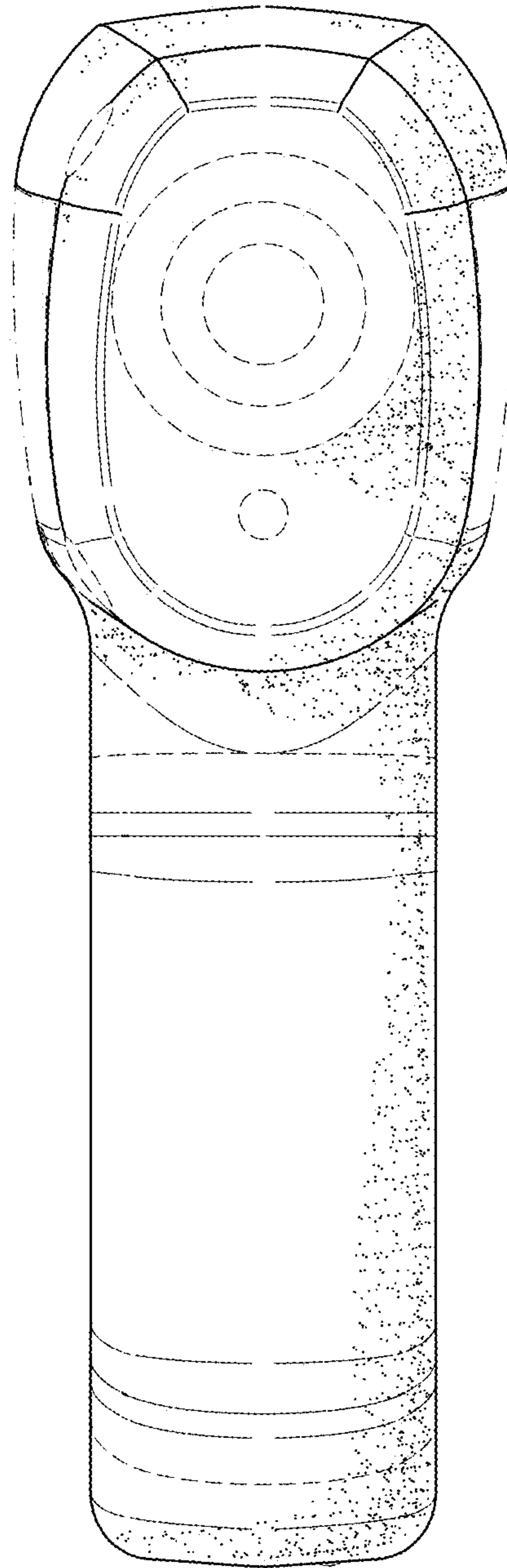


FIG. 6

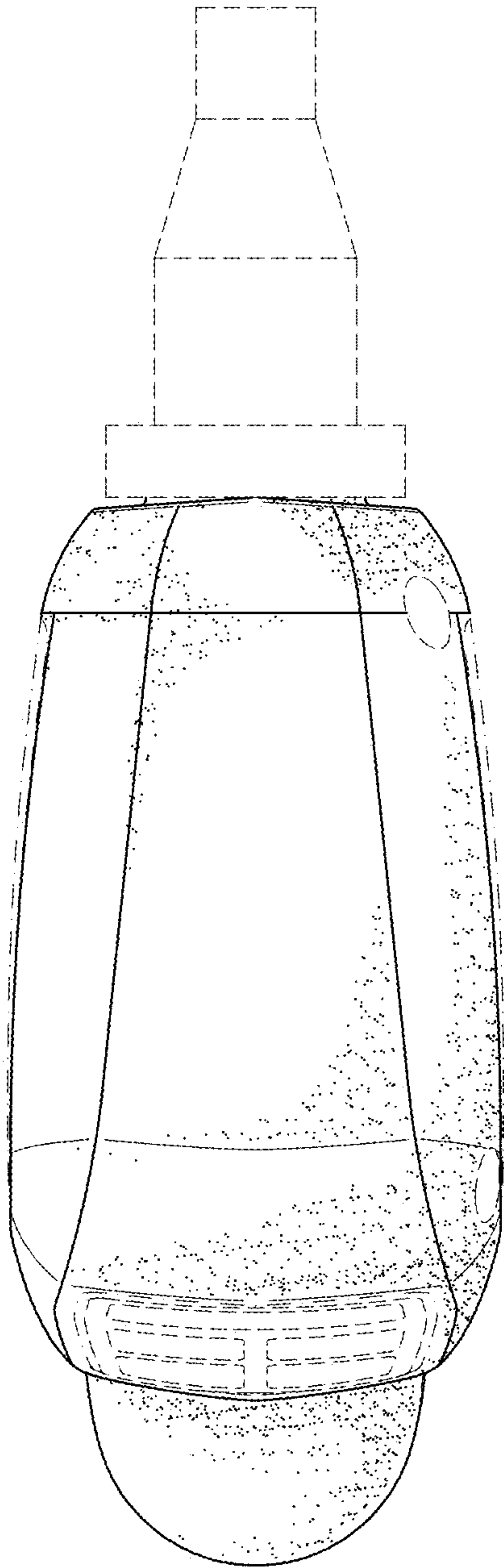


FIG. 7

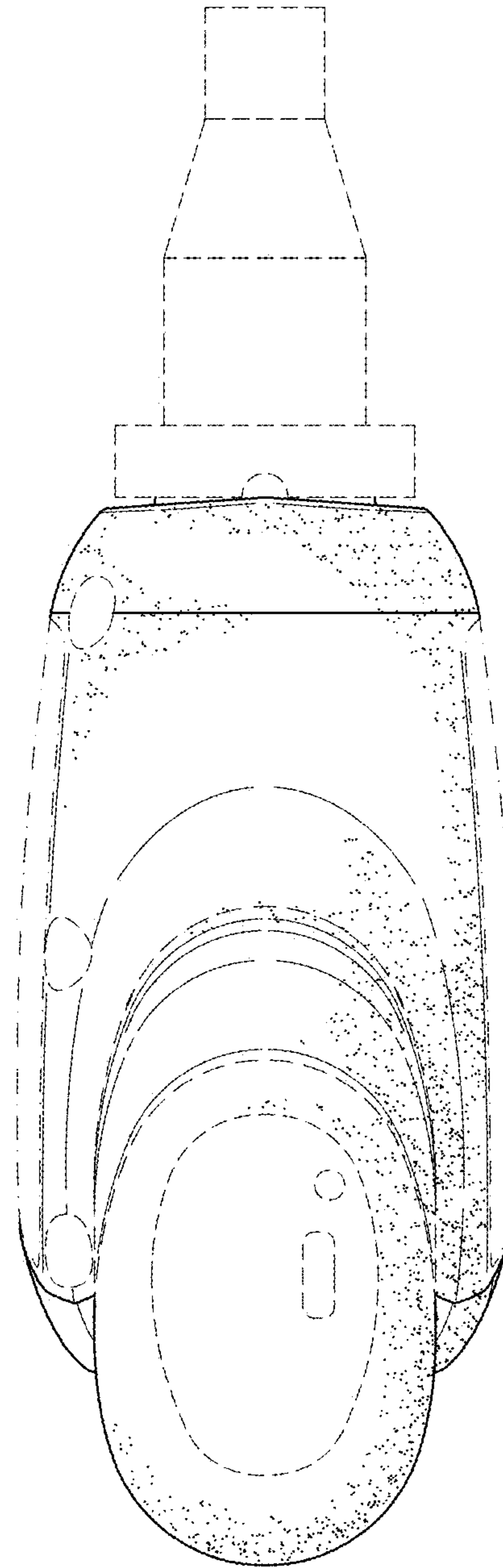


FIG. 8