



US00D921086S

(12) **United States Design Patent**  
**Li et al.**

(10) **Patent No.:** **US D921,086 S**  
(45) **Date of Patent:** **\*\* Jun. 1, 2021**

(54) **CAMERA**

(71) Applicant: **Shenzhen Kean Digital Co., Ltd.**,  
Shenzhen (CN)

(72) Inventors: **Jun Li**, Shenzhen (CN); **Junjie Yao**,  
Shenzhen (CN)

(\*\*) Term: **15 Years**

(21) Appl. No.: **29/760,368**

(22) Filed: **Dec. 1, 2020**

(51) **LOC (13) Cl.** ..... **16-01**

(52) **U.S. Cl.**  
USPC ..... **D16/203**

(58) **Field of Classification Search**  
USPC ..... D16/200–204, 208, 218, 219; 348/143,  
348/148, 151, 360, 373–376; 396/419,  
396/427–429, 433, 529, 535, 537–541  
CPC ..... G03B 15/03; G03B 17/02; G03B 17/04;  
G03B 17/48; G03B 17/56; G03B 19/04;  
G08G 1/0175; H04N 5/2251; H04N  
5/2252; H04N 5/2253; H04N 5/2254  
See application file for complete search history.

(56) **References Cited**

**U.S. PATENT DOCUMENTS**

D575,316 S \* 8/2008 Liu ..... D16/202  
D624,108 S \* 9/2010 Wang ..... D16/219

D649,573 S \* 11/2011 Al ..... D16/203  
D692,473 S \* 10/2013 Kawaguchi ..... D16/202  
D697,119 S \* 1/2014 Park ..... D16/203  
D813,925 S \* 3/2018 Park ..... D16/203  
D863,398 S \* 10/2019 Huang ..... D16/203  
D863,399 S \* 10/2019 Li ..... D16/203  
D863,404 S \* 10/2019 Karpenko ..... D16/218  
D873,321 S \* 1/2020 Siminoff ..... D16/203  
D887,474 S \* 6/2020 Yeh ..... D16/203  
D898,801 S \* 10/2020 Wu ..... D16/203  
D902,975 S 11/2020 Zhong et al.  
D902,976 S 11/2020 Han

\* cited by examiner

*Primary Examiner* — Ramzi S Almatrahi

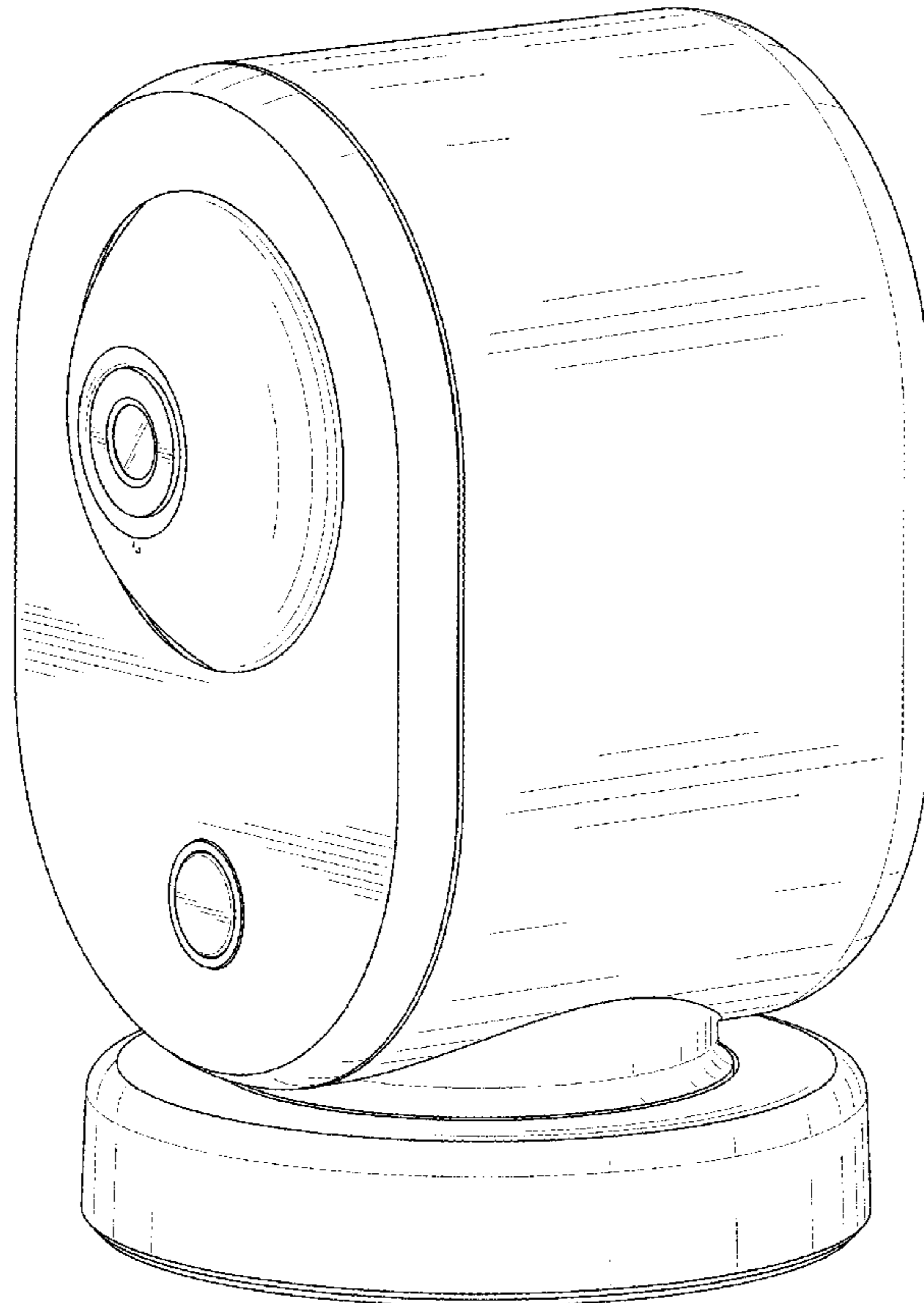
(57) **CLAIM**

The ornamental design for a camera, as shown and described.

**DESCRIPTION**

FIG. 1 is a perspective view of a camera showing our new design;  
FIG. 2 is a front view thereof;  
FIG. 3 is a rear view thereof;  
FIG. 4 is a left side view thereof;  
FIG. 5 is a right side view thereof;  
FIG. 6 is a top plan view thereof; and,  
FIG. 7 is a bottom plan view thereof.  
The broken lines in the figures illustrate portions of the camera that form no part of the claimed design.

**1 Claim, 7 Drawing Sheets**



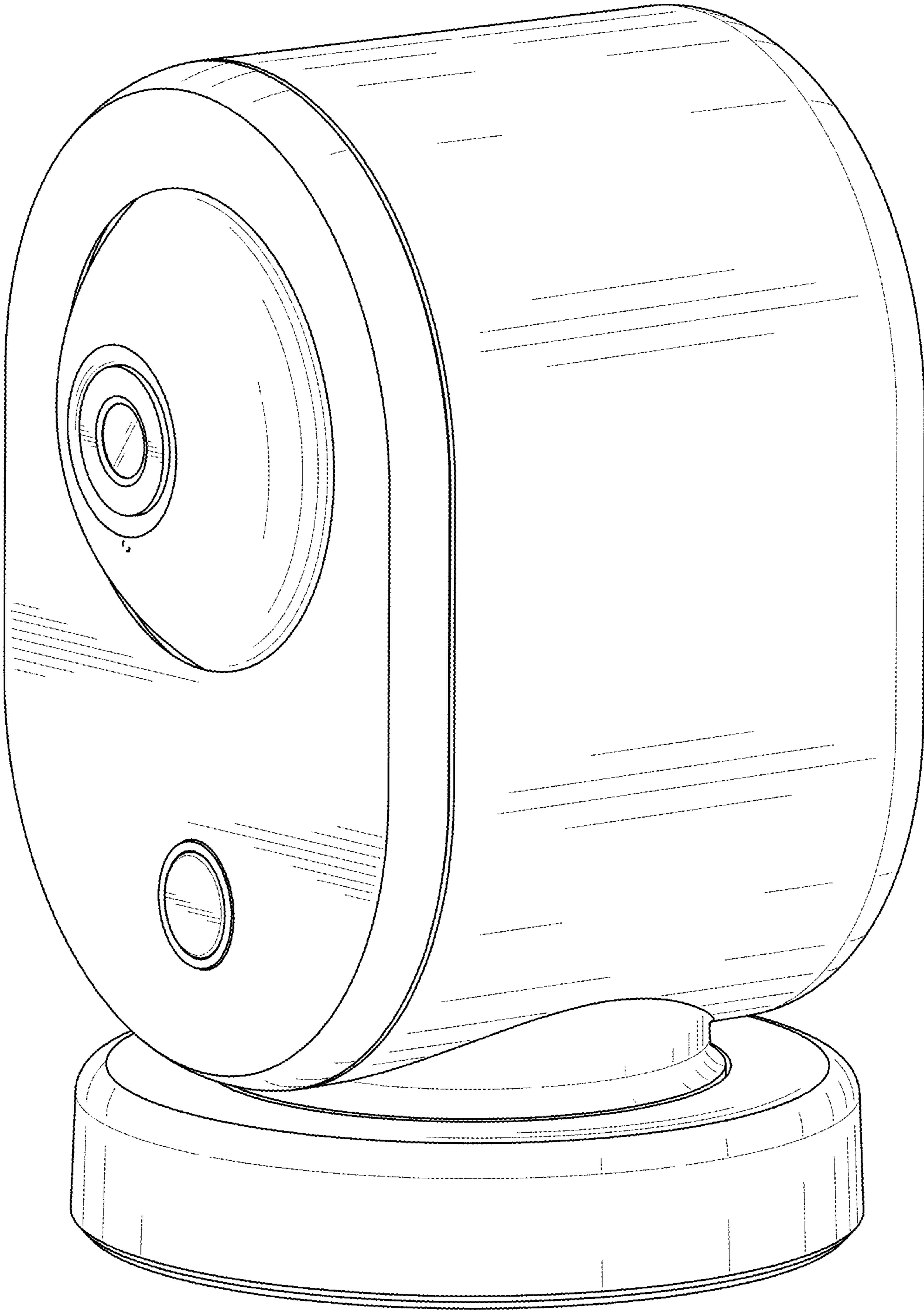


FIG. 1

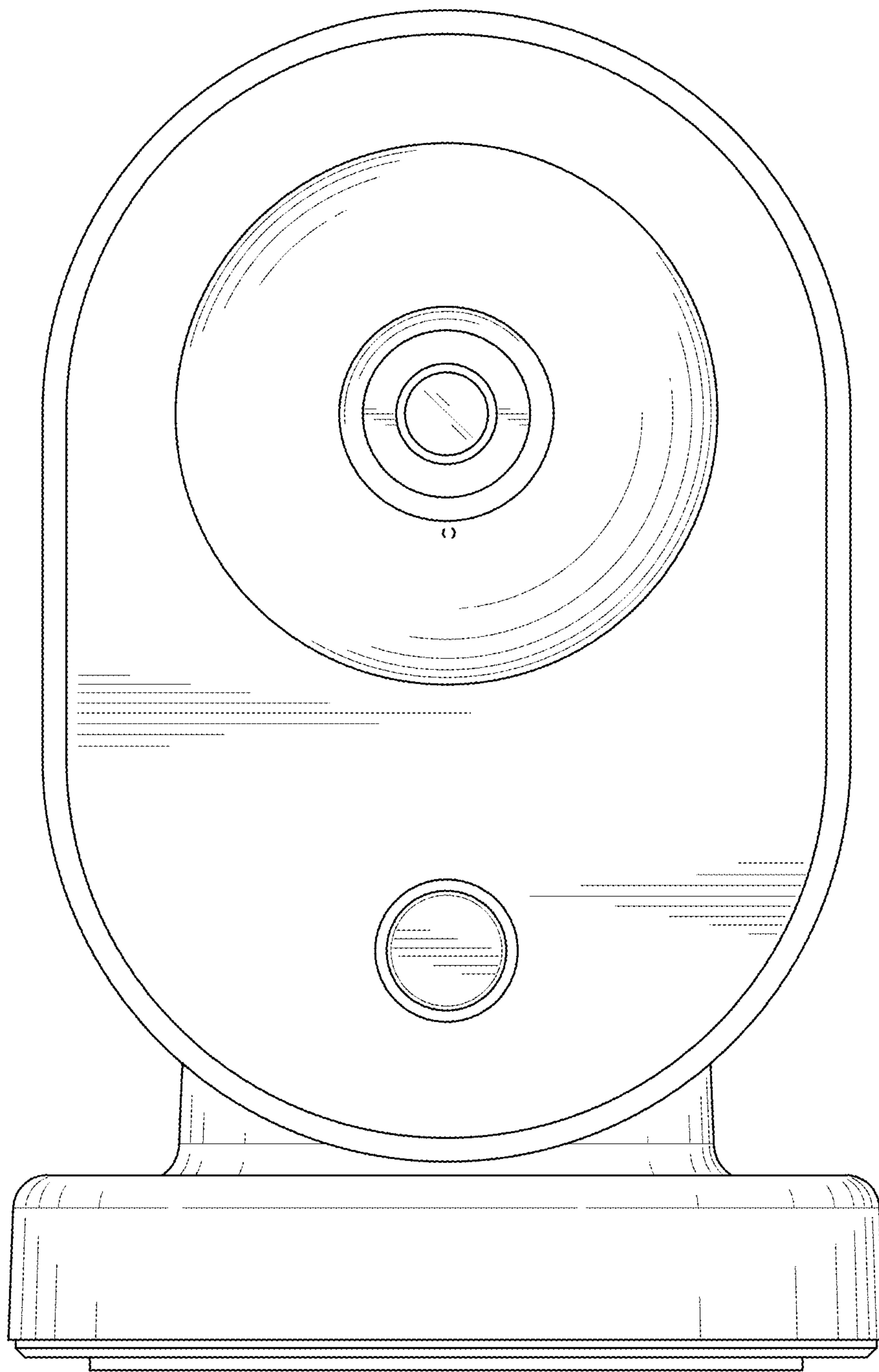


FIG. 2

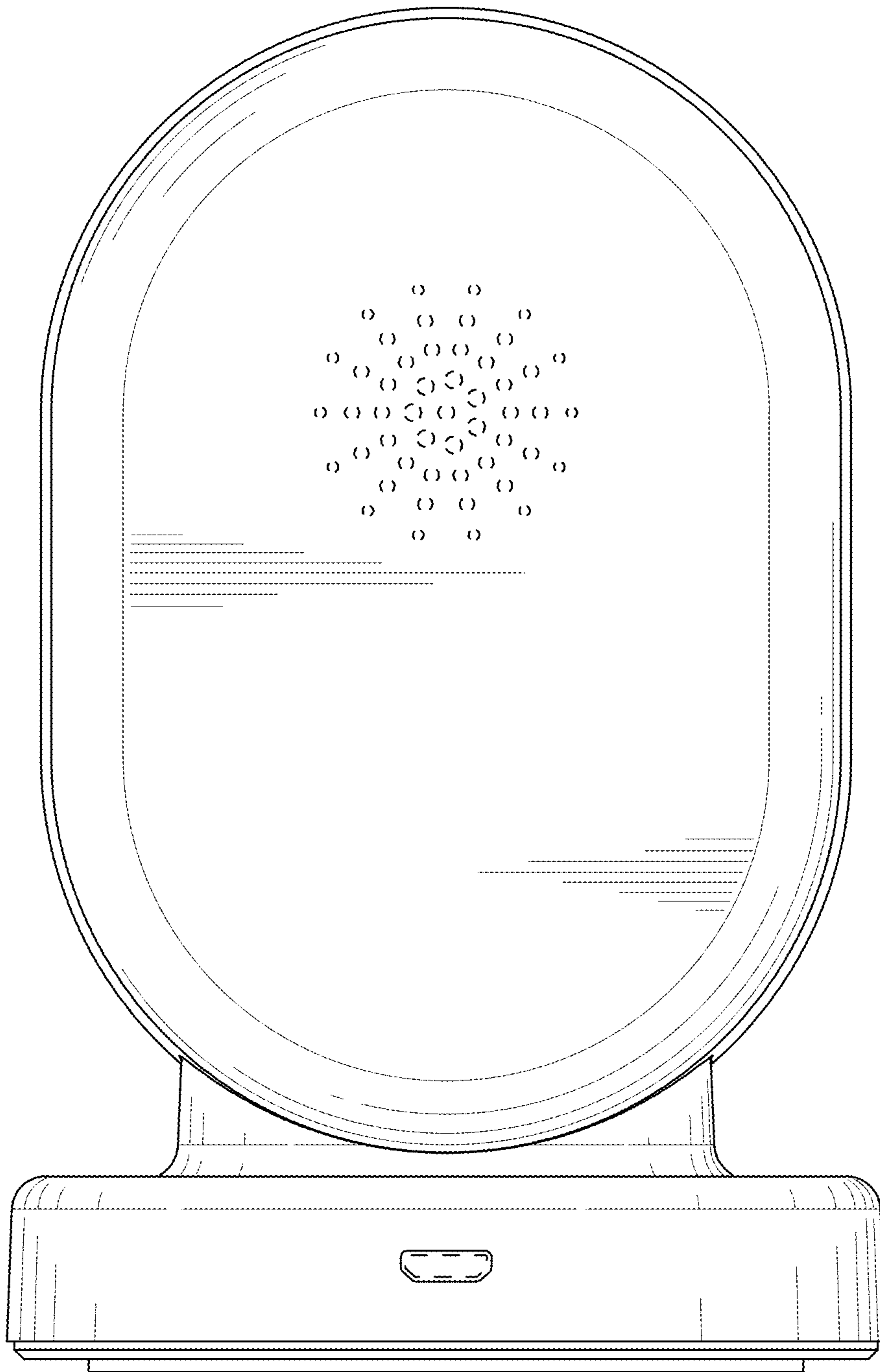


FIG. 3

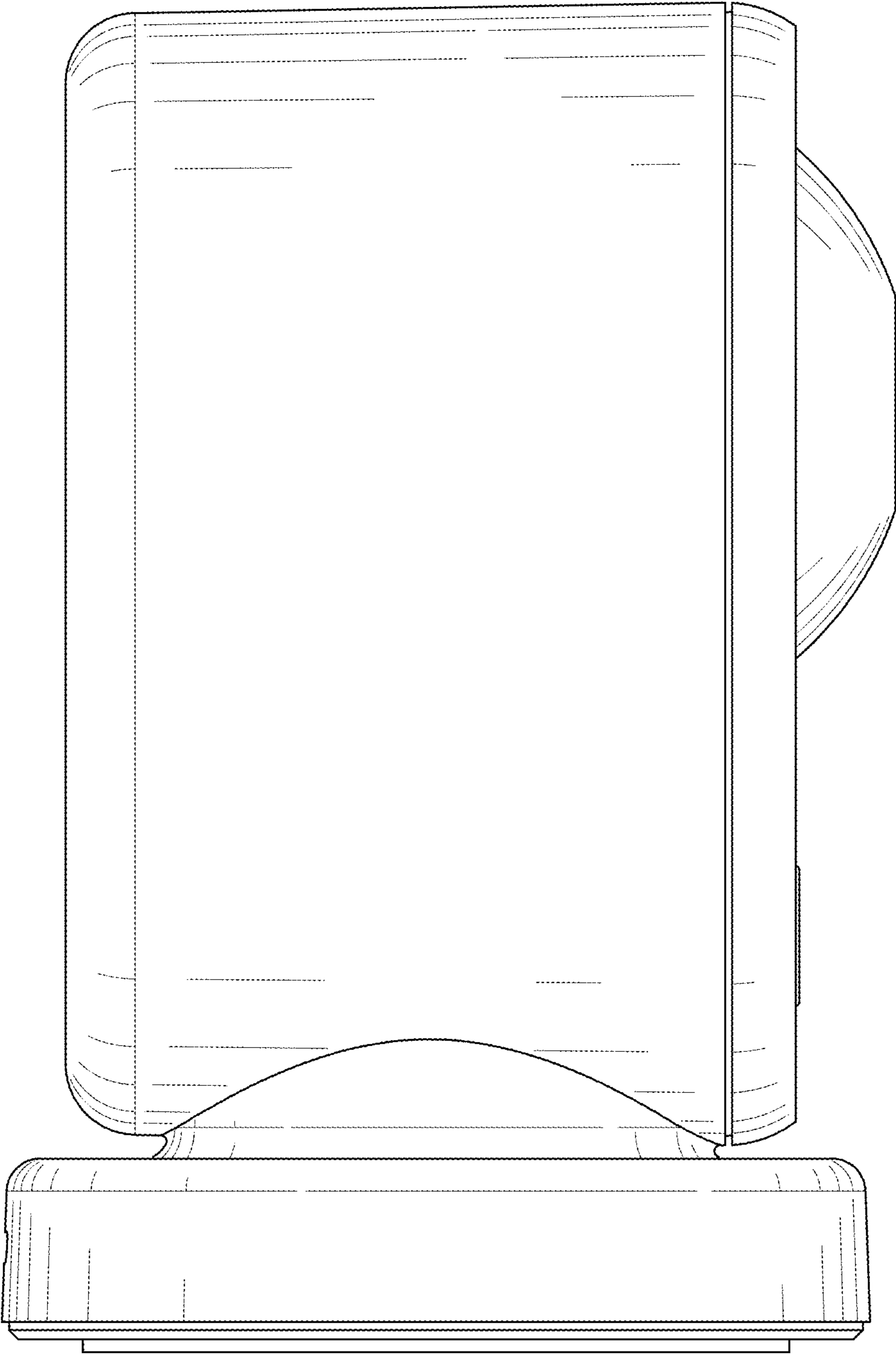


FIG. 4

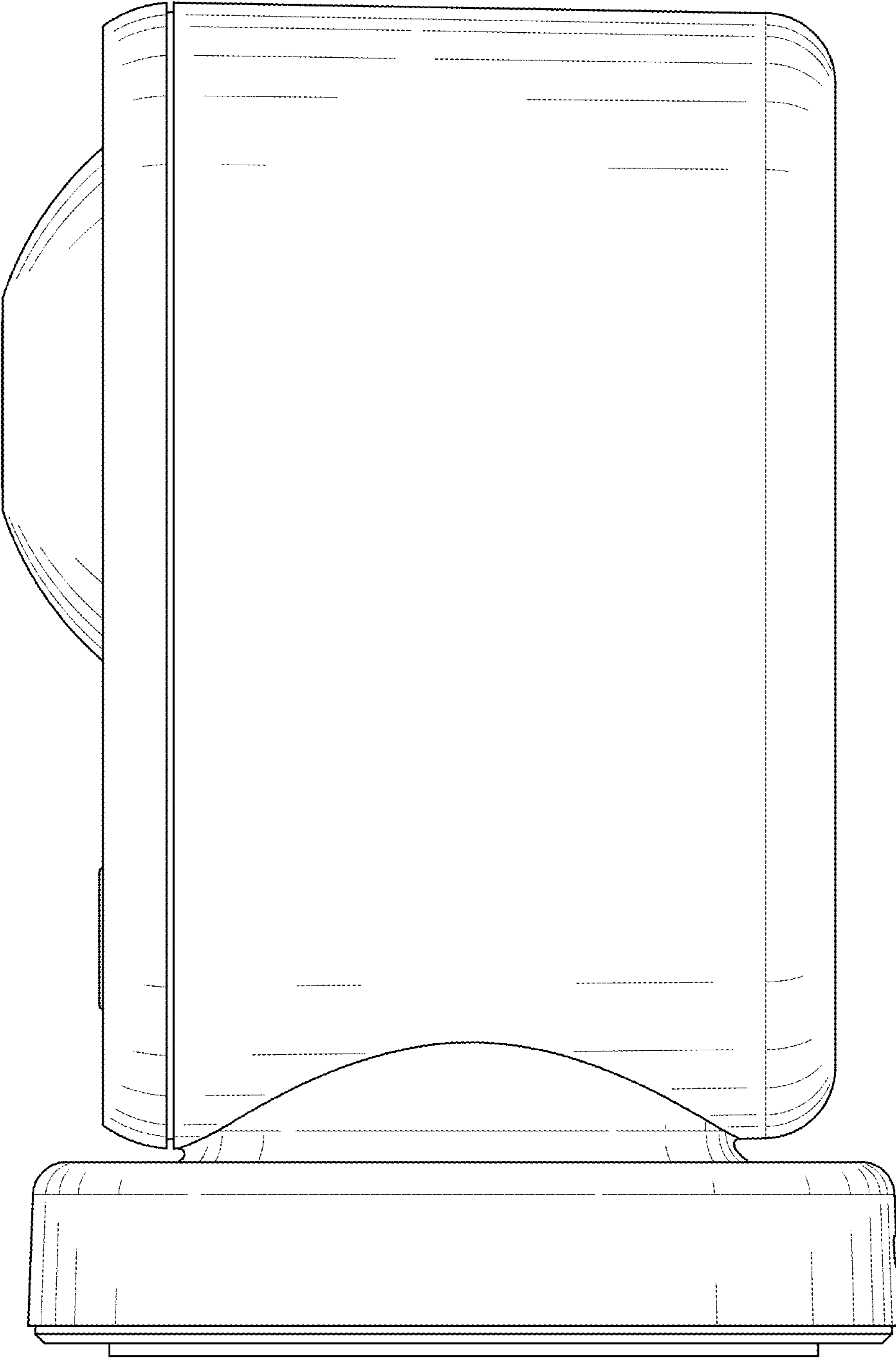


FIG. 5

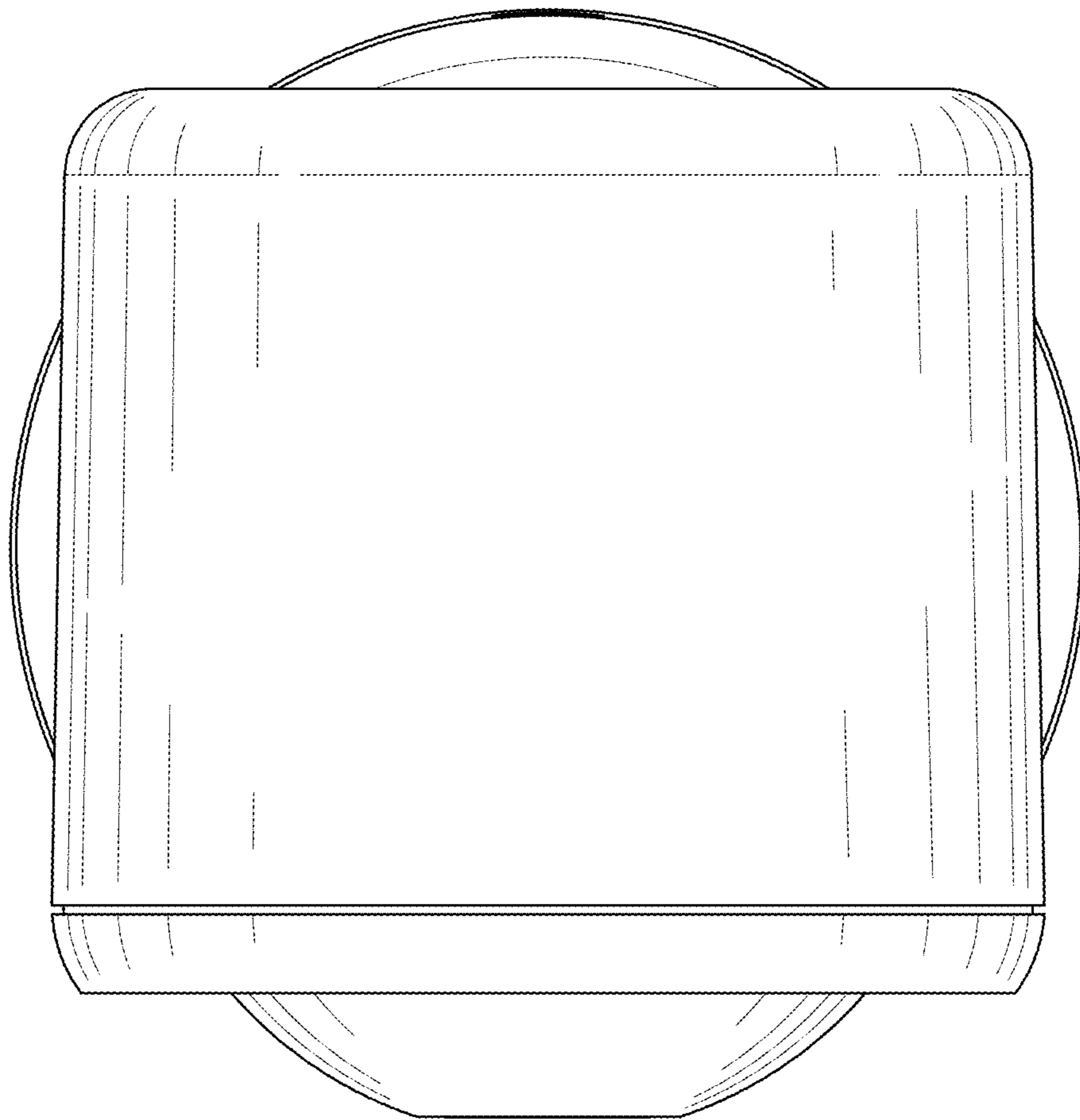


FIG. 6

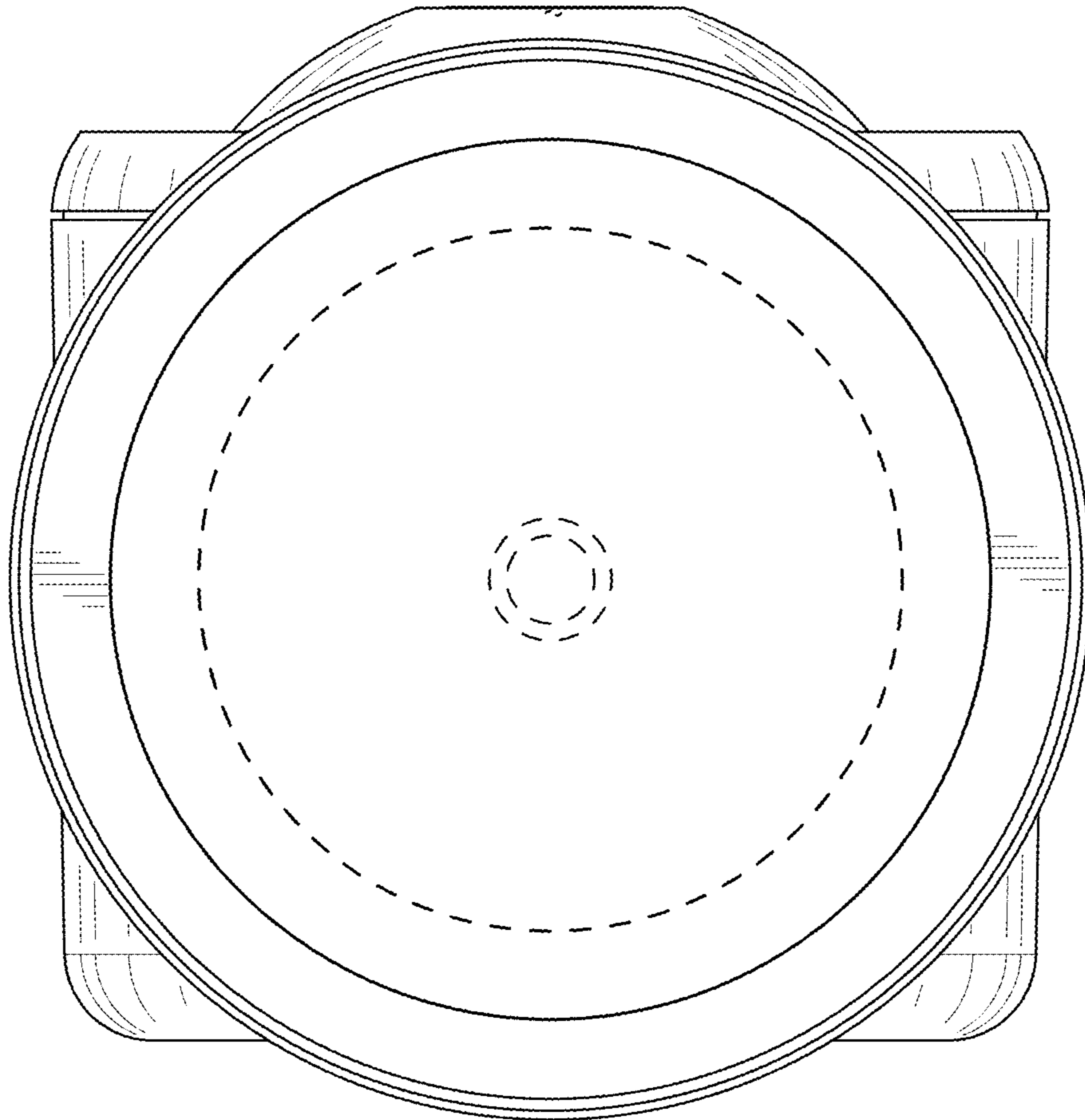


FIG. 7