



US00D921085S

(12) **United States Design Patent**  
**Li et al.**

(10) **Patent No.:** **US D921,085 S**  
(45) **Date of Patent:** **\*\* Jun. 1, 2021**

(54) **BABY MONITOR**

(71) Applicant: **Shenzhen Kean Digital Co., Ltd.**,  
Shenzhen (CN)

(72) Inventors: **Jun Li**, Shenzhen (CN); **Junjie Yao**,  
Shenzhen (CN)

(\*\*) Term: **15 Years**

(21) Appl. No.: **29/760,367**

(22) Filed: **Dec. 1, 2020**

(51) **LOC (13) Cl.** ..... **16-01**

(52) **U.S. Cl.**  
USPC ..... **D16/203**

(58) **Field of Classification Search**  
USPC ..... D16/200, 202–206, 218, 219, 242;  
348/143, 148, 151, 373–376; 396/419,  
396/427, 535, 539–541  
CPC ..... G03B 17/02; G03B 19/04; G03B 17/56;  
G03B 17/04; G03B 15/03; H04N 5/2251;  
H04N 5/2252; H04N 5/2253; H04N  
5/2254; H04N 7/181; H04N 7/183; H04N  
7/18; G08B 13/1963; G08B 13/19619;  
G08B 13/19632; F16M 11/04; F16M  
13/00

See application file for complete search history.

(56) **References Cited**

**U.S. PATENT DOCUMENTS**

D552,650 S \* 10/2007 Yamakawa ..... D16/203  
D609,732 S \* 2/2010 Frank ..... D16/203

D704,240 S \* 5/2014 McBride ..... D16/203  
D723,395 S \* 3/2015 Dispenza ..... D10/53  
D751,619 S \* 3/2016 Jeong ..... D16/203  
D753,204 S \* 4/2016 Luo ..... D16/202  
D813,290 S \* 3/2018 Song ..... D16/203  
D819,106 S \* 5/2018 Elmieh ..... D16/202  
D867,425 S \* 11/2019 Shuai ..... D16/203  
D870,180 S \* 12/2019 Qiu ..... D16/203  
D881,256 S \* 4/2020 Tseng ..... D16/203  
D884,768 S \* 5/2020 Liu ..... D16/203  
D890,831 S \* 7/2020 Zheng ..... D16/203  
D898,097 S 10/2020 Ravat et al.  
D900,907 S 11/2020 Zhou et al.

\* cited by examiner

*Primary Examiner* — Ramzi S Almatrahi

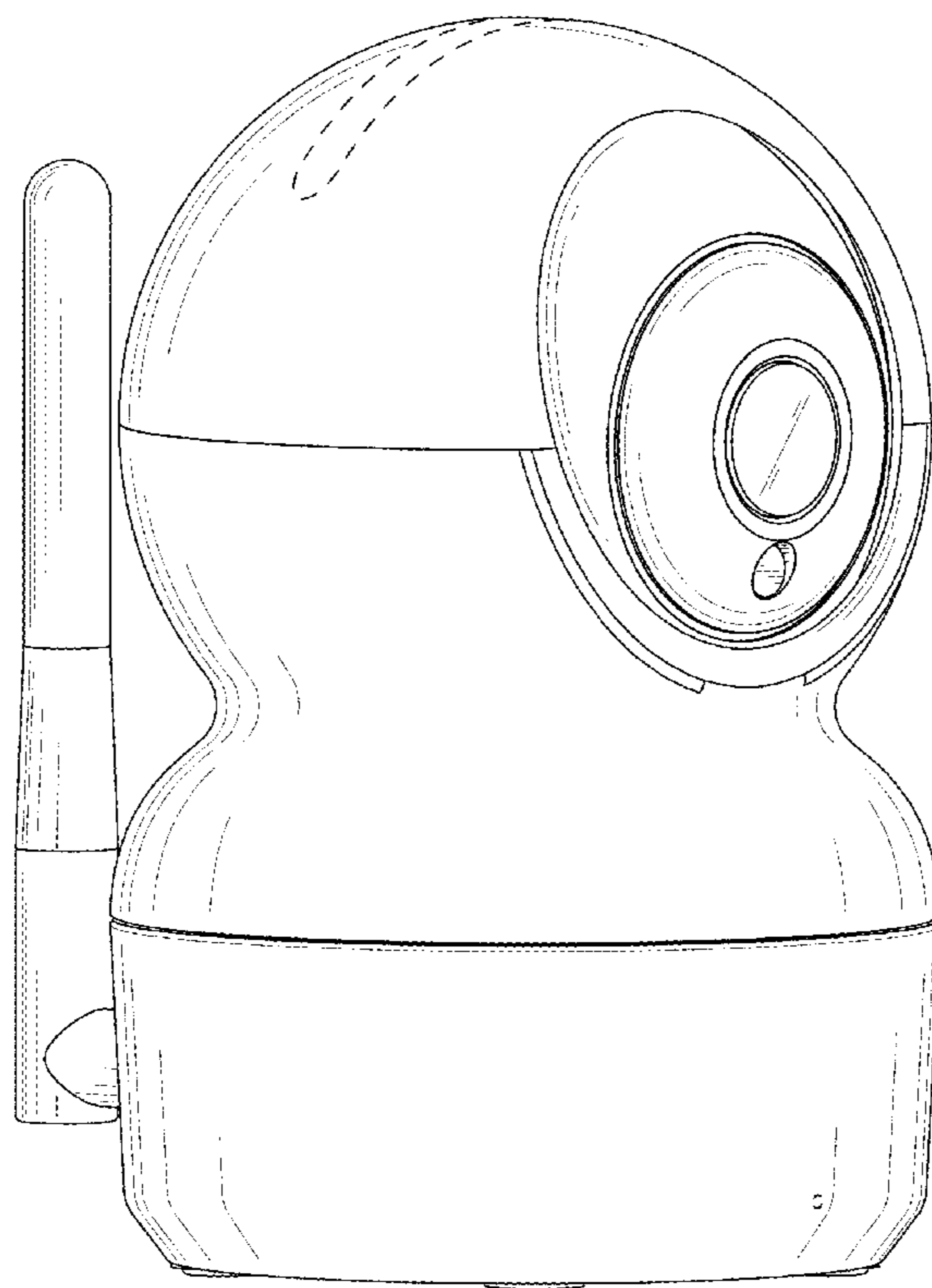
(57) **CLAIM**

The ornamental design for a baby monitor, as shown and described.

**DESCRIPTION**

FIG. 1 is a perspective view of a baby monitor showing our new design;  
FIG. 2 is a front view thereof;  
FIG. 3 is a rear view thereof;  
FIG. 4 is a left side view thereof;  
FIG. 5 is a right side view thereof;  
FIG. 6 is a top plan view thereof; and,  
FIG. 7 is a bottom plan view thereof.  
The broken lines in the figures illustrate portions of the baby monitor that form no part of the claimed design.

**1 Claim, 7 Drawing Sheets**



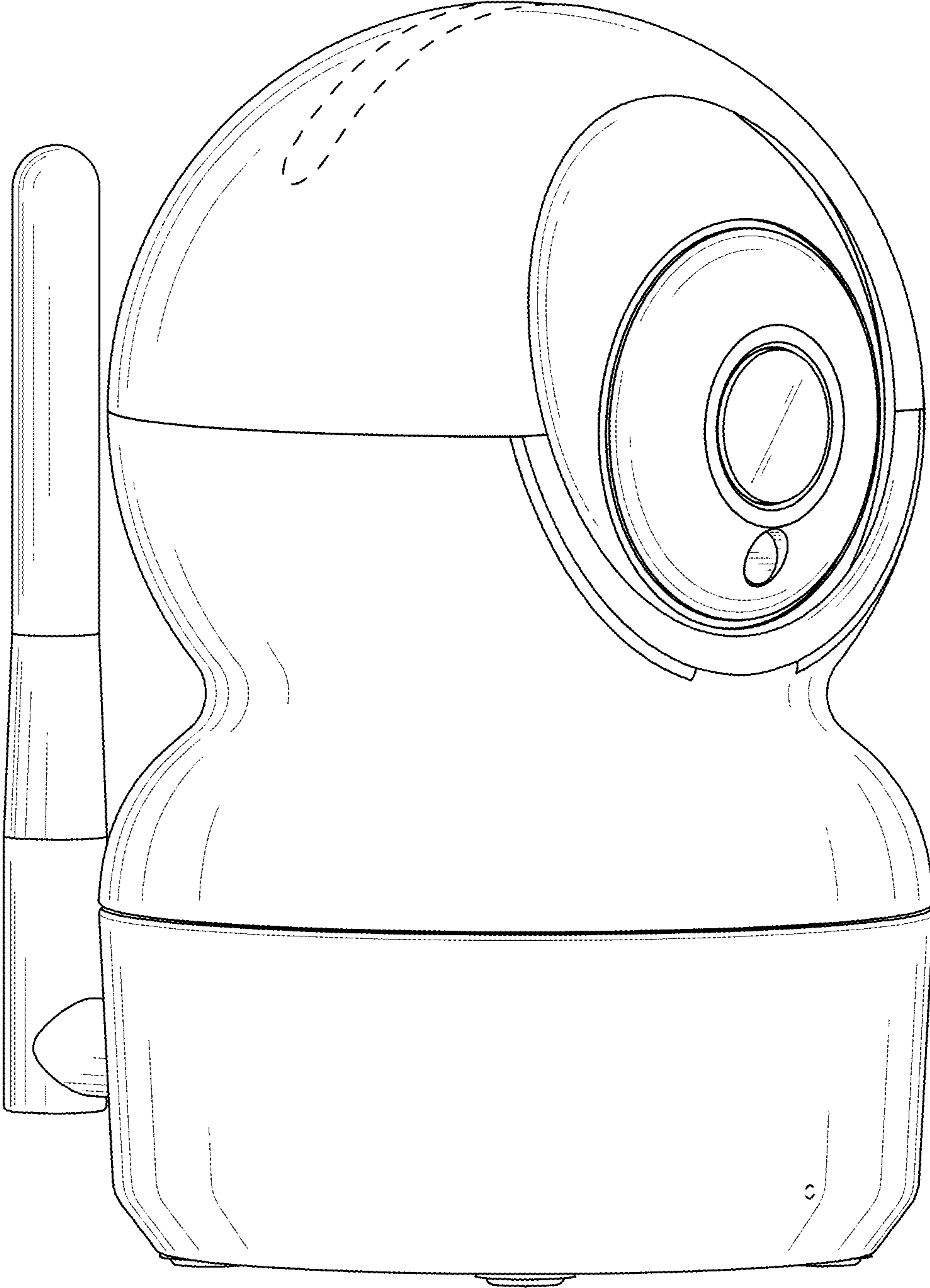


FIG. 1

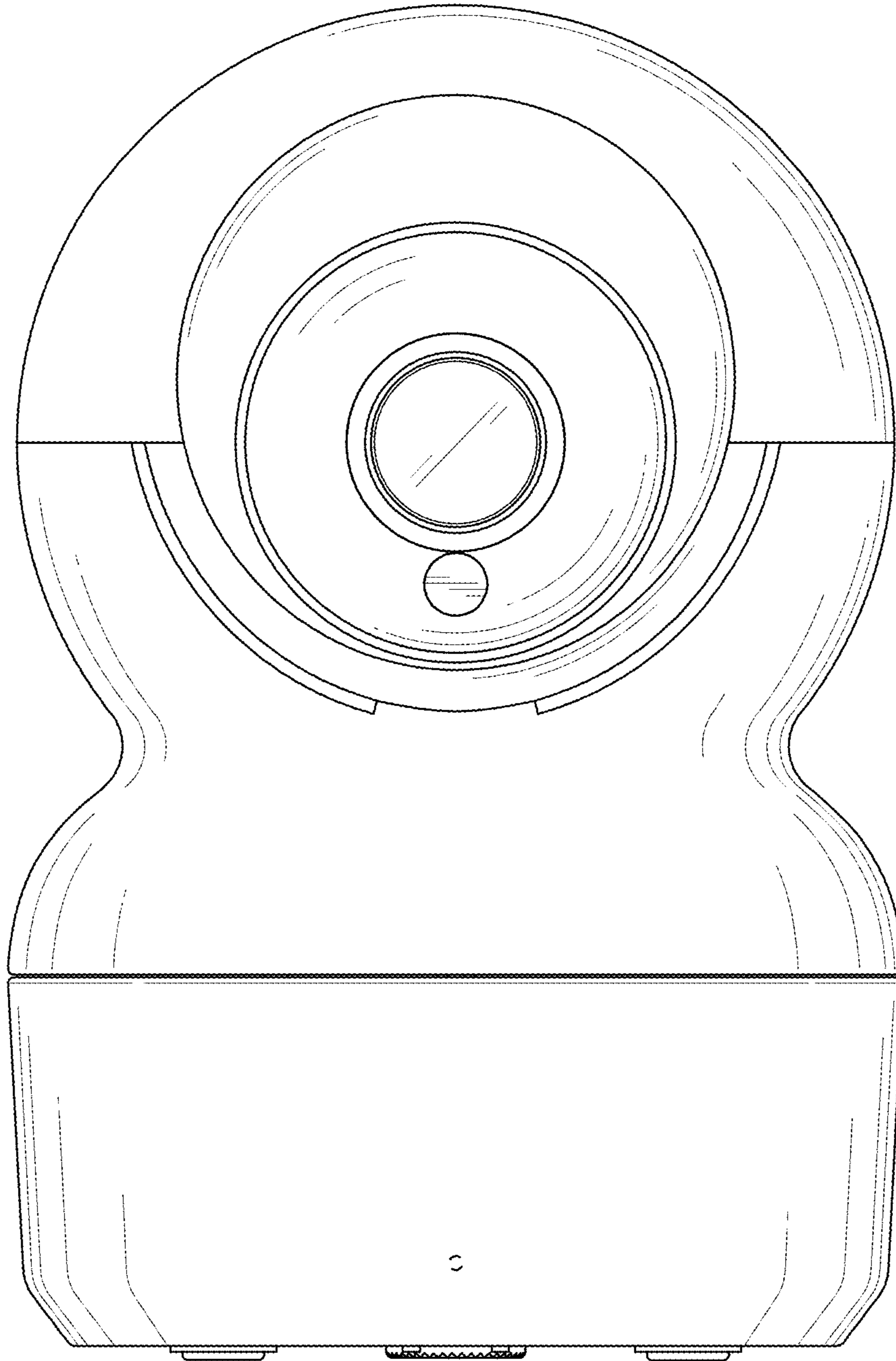


FIG. 2

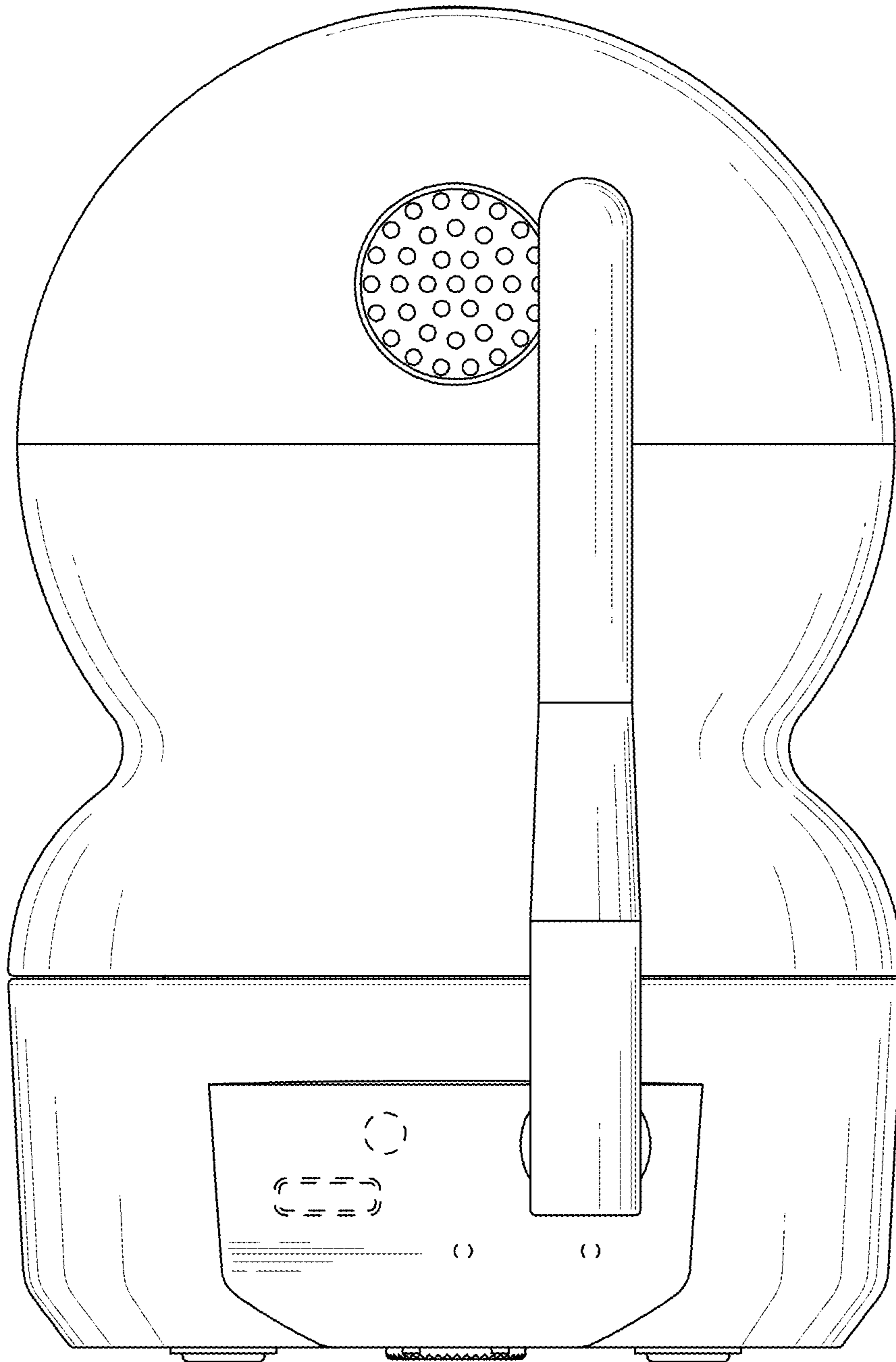


FIG. 3

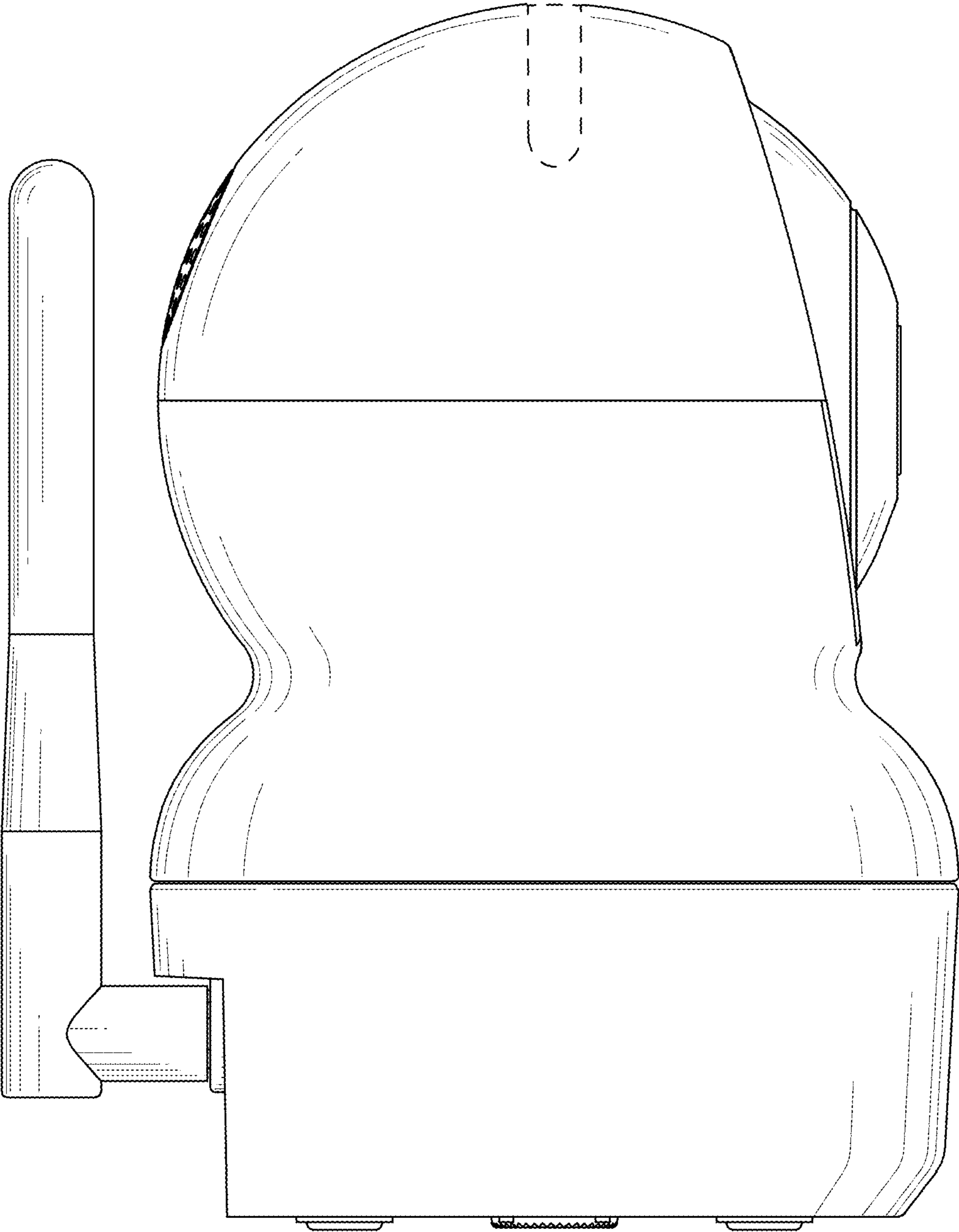


FIG. 4

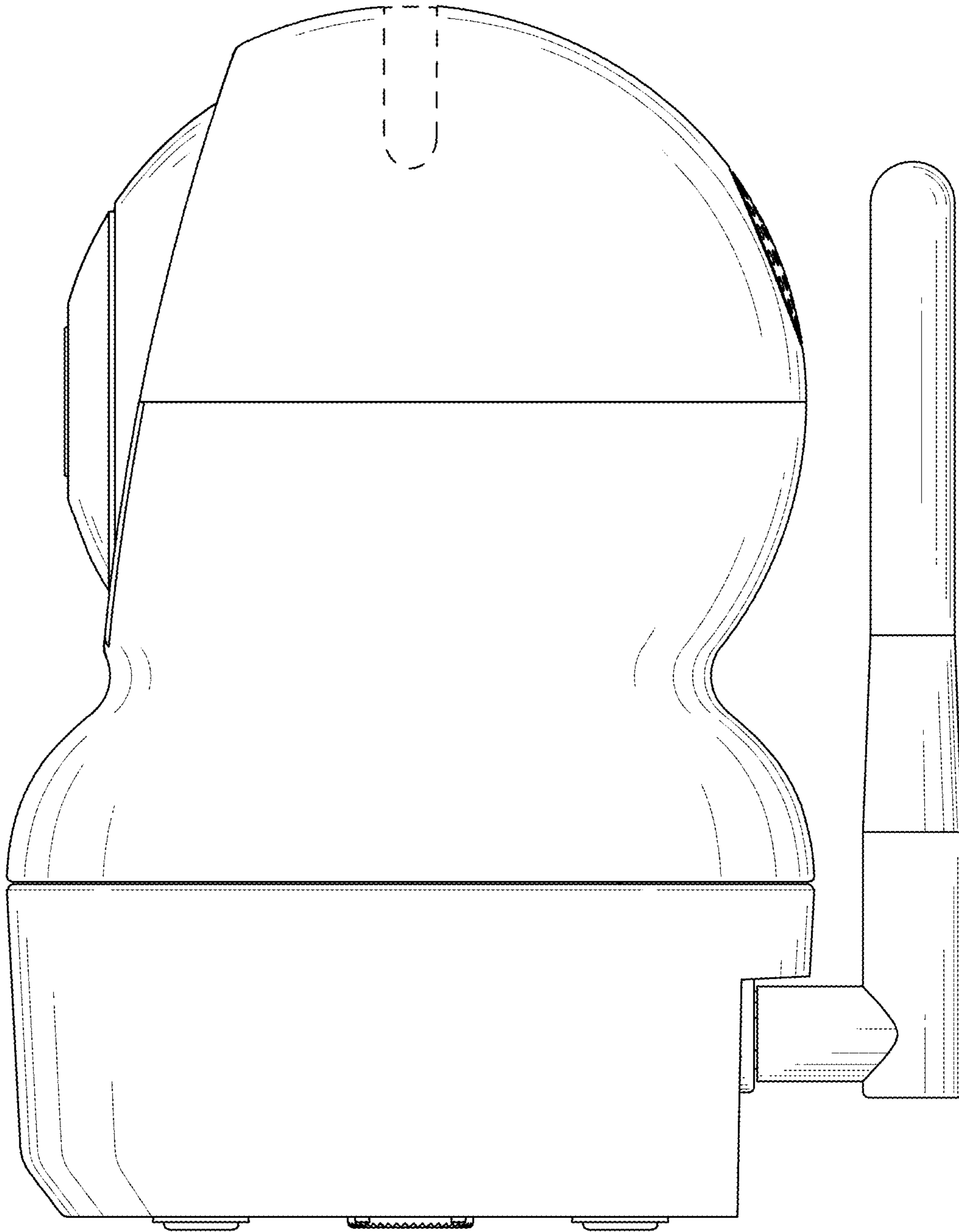


FIG. 5

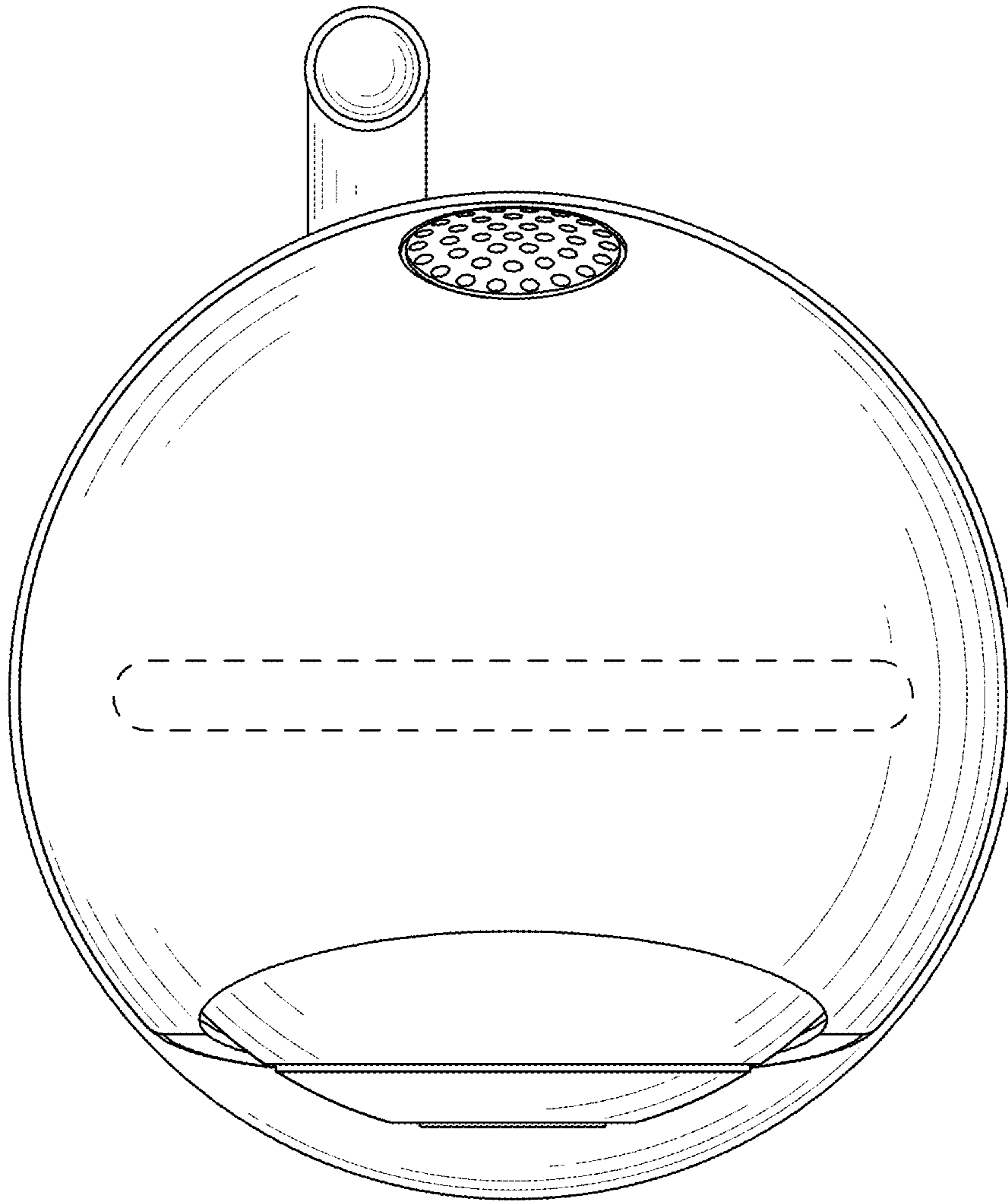


FIG. 6

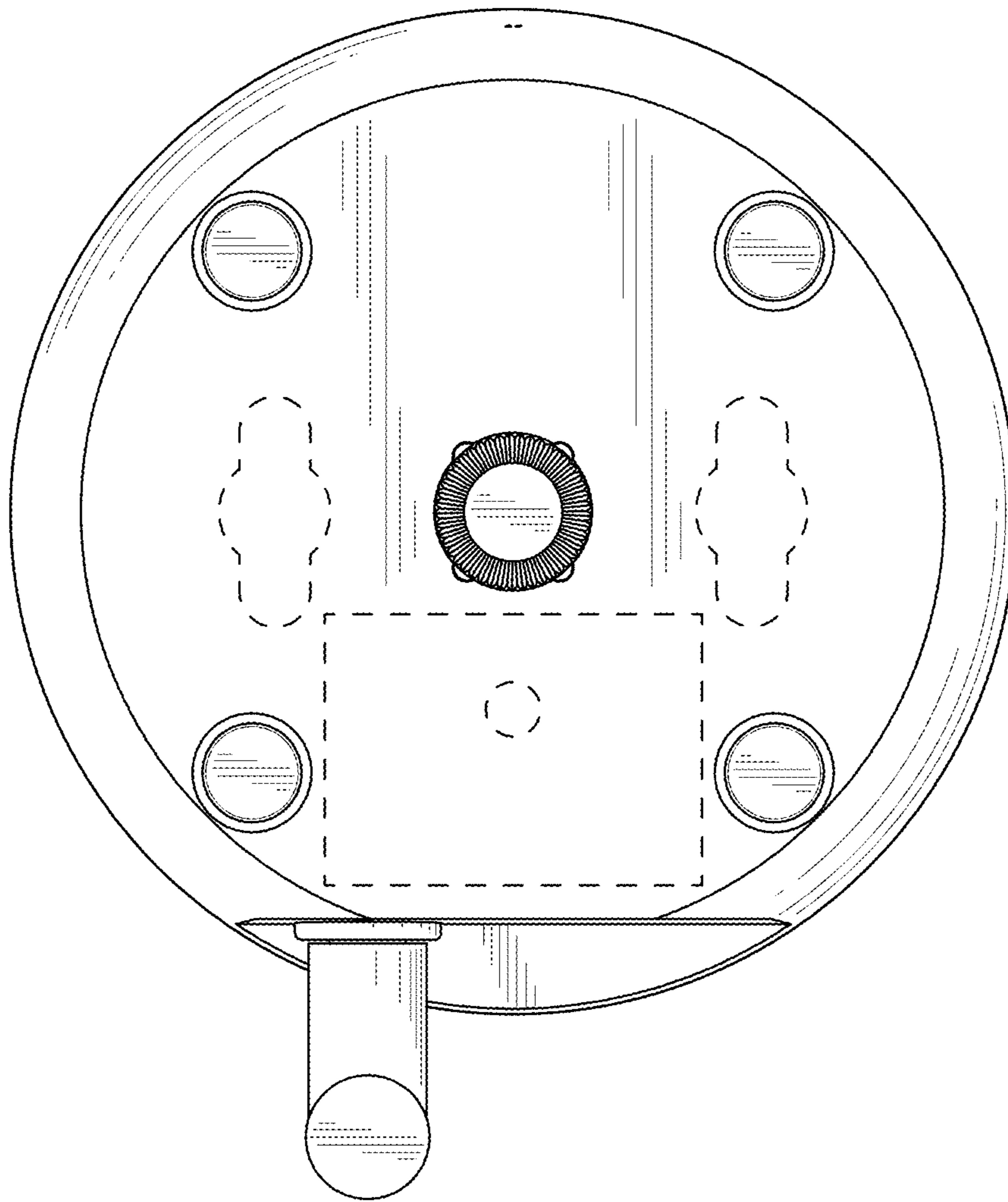


FIG. 7