



US00D921084S

(12) **United States Design Patent**  
**Muhlenkamp, IV et al.**

(10) **Patent No.:** **US D921,084 S**

(45) **Date of Patent:** **\*\* Jun. 1, 2021**

(54) **CAMERA HOUSING**

(71) Applicant: **GoPro, Inc.**, San Mateo, CA (US)

(72) Inventors: **John George Muhlenkamp, IV**,  
Brisbane, CA (US); **Daniel J. Coster**,  
San Francisco, CA (US); **Huy Phuong**  
**Nguyen**, San Mateo, CA (US); **Bessy**  
**Liang**, San Jose, CA (US); **Jordan**  
**Todd**, San Mateo, CA (US)

(73) Assignee: **GoPro, Inc.**, San Mateo, CA (US)

(\*\*) Term: **15 Years**

(21) Appl. No.: **29/705,668**

(22) Filed: **Sep. 13, 2019**

(51) **LOC (13) Cl.** ..... **16-01**

(52) **U.S. Cl.**  
USPC ..... **D16/200**

(58) **Field of Classification Search**  
USPC ..... D16/200, 202–208, 218, 219, 242;  
348/164, 373–376; 396/448, 535,  
396/539–541  
CPC ..... G03B 17/02; G03B 19/04; G03B 17/56;  
G03B 17/04; G03B 15/03; H04N 5/2251;  
H04N 5/2252; H04N 5/2253; H04N  
5/2254; H04N 7/181; H04N 7/183; H04N  
7/18; G08B 13/1963; G08B 13/19619;  
G08B 13/19632; F16M 11/04; F16M  
13/00

See application file for complete search history.

(56) **References Cited**

**U.S. PATENT DOCUMENTS**

679,881 A	8/1901	Bullard
1,467,556 A	9/1923	Nagel
1,612,277 A	12/1926	Leo
2,336,104 A	12/1943	Laube
4,341,452 A	7/1982	Korling
D265,829 S	8/1982	Shimoda
4,646,141 A	2/1987	Timmermans

4,763,151 A	8/1988	Klinger
D298,760 S	11/1988	Yoshida
5,092,552 A	3/1992	Dayton
5,325,139 A	6/1994	Matsumoto
D349,126 S	7/1994	Lee

(Continued)

**FOREIGN PATENT DOCUMENTS**

CN	302944104	5/2014
CN	303933789	6/2016
GB	4034453	3/2014

**OTHER PUBLICATIONS**

Action Video Suction Cup. [online] Published date Oct. 23, 2014. Retrieved on Nov. 2, 2016 from <URL: <[https://www.amazon.com/Suction-Locking-JOBY-Easy-Anti-Vibration-Cameras/dp/B0008R7A72/ref=pdsim\\_421\\_2?encoding=UTF8&pd\\_rd\\_i=B0008R7A72&pd\\_rd\\_r=AGCVZH2ZHQKHT5BBX2GZ&pdrd\\_w=7Jkpc&pdrd\\_wg=OMkYF&psc=1&refRID=AGCVZH2ZHQKHT5BBX2GZ](https://www.amazon.com/Suction-Locking-JOBY-Easy-Anti-Vibration-Cameras/dp/B0008R7A72/ref=pdsim_421_2?encoding=UTF8&pd_rd_i=B0008R7A72&pd_rd_r=AGCVZH2ZHQKHT5BBX2GZ&pdrd_w=7Jkpc&pdrd_wg=OMkYF&psc=1&refRID=AGCVZH2ZHQKHT5BBX2GZ)>. (9 pages).

(Continued)

*Primary Examiner* — Ramzi S Almatrahi  
(74) *Attorney, Agent, or Firm* — Young Basile Hanlon & MacFarlane, P.C.

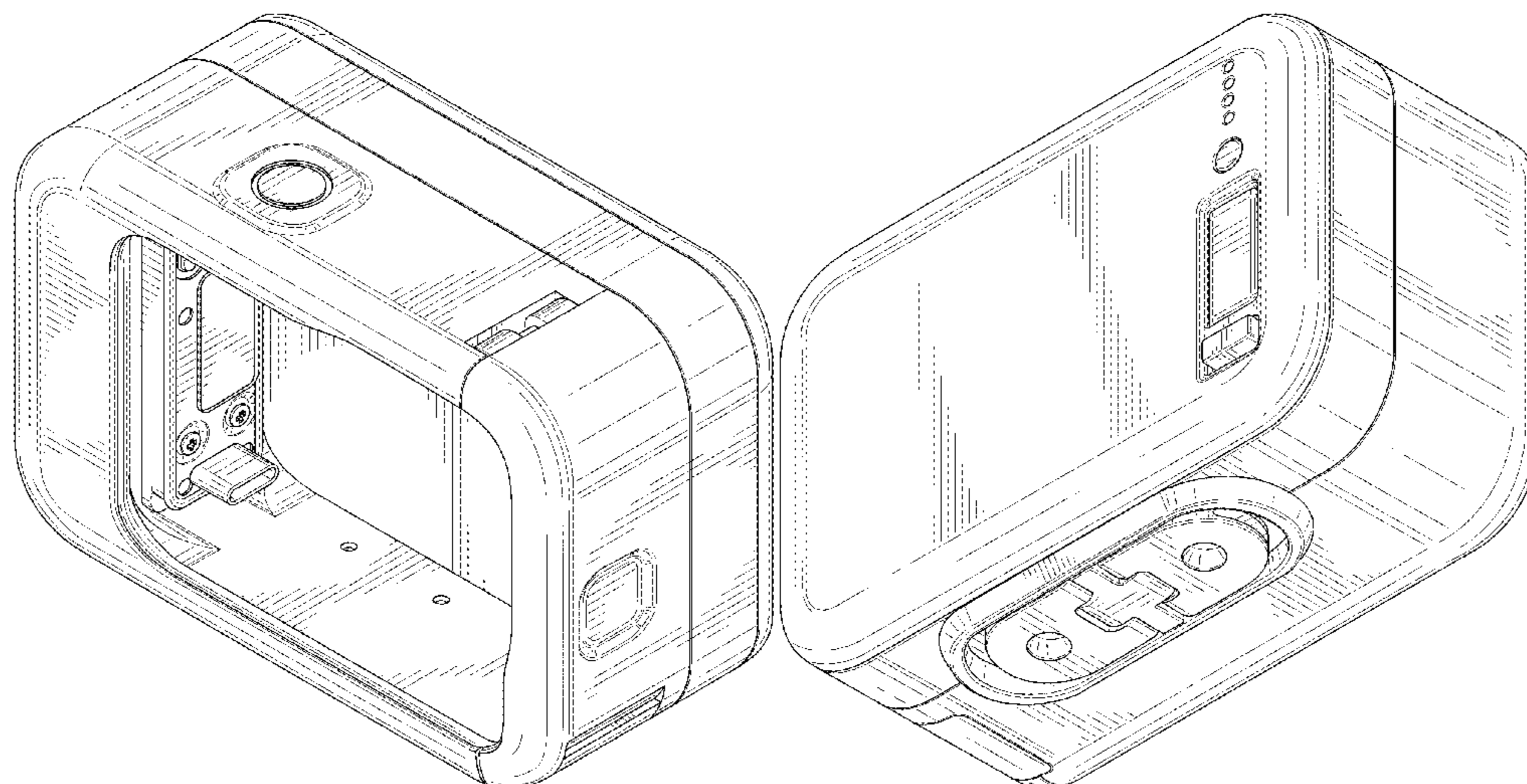
(57) **CLAIM**

The ornamental design for a camera housing, as shown and described.

**DESCRIPTION**

FIG. 1 is a top, front and right perspective view of a camera housing showing our new design; FIG. 2 is a bottom, rear and left perspective view thereof; FIG. 3 is a front view thereof; FIG. 4 is a rear view thereof; FIG. 5 is a left view thereof; FIG. 6 is a right view thereof; FIG. 7 is a top view thereof; and, FIG. 8 is a bottom view thereof.

**1 Claim, 6 Drawing Sheets**



(56)

References Cited

U.S. PATENT DOCUMENTS

5,353,079	A	10/1994	Sakai	
5,576,781	A	11/1996	Deleeuw	
5,738,321	A	4/1998	Moriyasu	
D441,386	S	5/2001	Yamazaki	
D469,338	S	1/2003	Chace	
D491,968	S	6/2004	Isshiki	
D515,121	S	2/2006	Bleau	
D550,741	S	9/2007	Vernon	
D563,486	S	3/2008	Slater	
D582,955	S	12/2008	Sekine	
7,537,399	B2	5/2009	Mayumi	
D594,050	S	6/2009	Grtner	
7,621,680	B2	11/2009	Frick	
D616,480	S	5/2010	Ookawa	
8,014,656	B2	9/2011	Woodman	
D646,313	S	10/2011	Woodman	
D647,935	S	11/2011	Raken	
D657,808	S	4/2012	Woodman	
D674,428	S	1/2013	Woodman	
D684,569	S	6/2013	Willenborg	
8,467,675	B2	6/2013	Chen	
D692,507	S	10/2013	Meys	
8,596,890	B2	12/2013	Yim	
D699,276	S	2/2014	Samuels	
D699,277	S	2/2014	Samuels	
D702,747	S	4/2014	Woodman	
8,718,457	B2	5/2014	Clark	
D706,603	S	6/2014	Kokawa	
D710,921	S	8/2014	Gioscia	
8,794,579	B2	8/2014	Sturman	
D724,637	S	3/2015	Samuels	
D724,638	S	3/2015	Samuels	
D725,169	S	3/2015	Gioscia	
D727,387	S	4/2015	Hasegawa	
9,004,783	B1	4/2015	Woodman	
D730,423	S	5/2015	Vandenbussche	
D732,601	S	6/2015	Coyle	
D737,647	S	9/2015	Elder	
D740,876	S	10/2015	Woodman	
D745,589	S	12/2015	Lee	
D749,164	S	2/2016	Raccah	
D750,146	S	2/2016	Costa	
D750,687	S	3/2016	Samuels	
D752,671	S	3/2016	Harrison	
D752,672	S	3/2016	Clearman	
9,282,226	B2	3/2016	Samuels	
D754,230	S	4/2016	Mori	
D755,277	S	5/2016	Shnholz	
D758,474	S	6/2016	Harrison	
D759,141	S	6/2016	Bacon	
D759,145	S	6/2016	Lee	
D760,312	S	6/2016	Lee	
9,360,742	B1	6/2016	Harrison	
D762,759	S	8/2016	Wu	
D763,941	S	8/2016	Smith	
D768,228	S	10/2016	Muhlenkamp, IV	
D768,752	S	10/2016	Silver	
D768,754	S	10/2016	Bennett	
D776,738	S *	1/2017	Clearman	D16/200
D776,741	S	1/2017	Parfitt	
D777,239	S *	1/2017	Costa	D16/242
D783,079	S	4/2017	Lee	
D785,068	S	4/2017	Patsis	
9,635,226	B2	4/2017	Samuels	
D785,696	S	5/2017	Parfitt	
D785,697	S	5/2017	Costa	

D790,000	S	6/2017	Wang	
D800,815	S *	10/2017	Clearman	D16/200
9,816,666	B2	11/2017	Wang	
9,880,451	B2	1/2018	Clearman	
9,894,278	B2	2/2018	Wei	
9,894,279	B2	2/2018	Wei	
9,903,533	B2	2/2018	Wei	
D816,751	S *	5/2018	Harrison	D16/200
D819,117	S	5/2018	Lee	
D827,696	S	9/2018	Crow	
D827,697	S	9/2018	Crow	
D850,520	S	6/2019	Voss	
D880,567	S *	4/2020	Zhang	D16/237
D880,569	S *	4/2020	Zhang	D16/242
D890,835	S *	7/2020	Nguyen	D16/219
2002/0046218	A1	4/2002	Gilbert	
2007/0071423	A1	3/2007	Fantone	
2008/0152337	A1	6/2008	Gartner	
2011/0317065	A1	12/2011	Lin	
2014/0185853	A1	7/2014	Aihara	
2014/0198932	A1	7/2014	Parkins	
2014/0226055	A1	8/2014	Schmidt	
2015/0168815	A1	6/2015	Chen	
2015/0316835	A1	11/2015	Scott	
2015/0326748	A1	11/2015	Tisch	
2016/0004142	A1	1/2016	Zhang	
2016/0100083	A1	4/2016	Harrison	
2016/0229556	A1	8/2016	Zhou	
2016/0246162	A1	8/2016	Niemeyer	
2017/0059967	A1	3/2017	Harrison	
2017/0192341	A1	7/2017	Casarez	
2019/0079373	A1	3/2019	Wang	
2019/0161208	A1	5/2019	Sun	

OTHER PUBLICATIONS

Google Express iGoPro Karma Harness for HERO4 Black/Silver Camera—AGFHA-001 , first reviewed on Mar. 17, 2017, © 2018 Google [online], [site visited Mar. 16, 2018]. Available from Internet, <URL: <https://goo.gl/hugSGv/>> 1 page.

GoPro i Shop i Mounts & Accessories, posted on Nov. 16, 2017, © 2018 GoPro, Inc. [online], [site visited Mar. 16, 2018]. Available from Internet, <URL: <https://shop.gopro.com/mounts-accessories/>> (13 Pgs).

GoPro The Frame for HERO5 Black. [online] Published date unknown. Retrieved on Oct. 26, 2016 from <URL: <https://www.bhphotovideo.com/c/product/1274422-REG/gopro.sub.--aafrm.sub.--001.sub.--frame.sub.--for.sub.--hero5.html>>. 3 pages.

Gopro, “Karma Stabilizer,” Date Unknown, two pages. [Online] [Retrieved Nov. 2, 2016] Retrieved from the internet <<http://shop.gopro.com/accessories-2/karma-stabilizer/AGMBL-001.html>>. (2 pages).

Linxv i Action Camera Accessories i Action Camera Strap, posted on Jun. 4, 2016, © 2012 Avada [online], [site visited Mar. 16, 2018]. Available from Internet, <URL: <http://www.linxv.com/action-camera-accessories/action-camera-strap/>> (4 Pgs).

Suction Cup & Locking Arm. Online, published date unknown. Retrieved on Jan. 11, 2018 from URL: <https://joby.com/suction-cup-with-locking-arm> (1 page).

The Frame. [online] Published date unknown. Retrieved on Oct. 24, 2016 from <URL: <http://shop.gopro.com/accessories-2/the-frame/ANDFR-302.html>>. 3 pages.

United States Office Action, U.S. Appl. No. 29/548,666, filed Nov. 17, 2016, eight pages.

\* cited by examiner

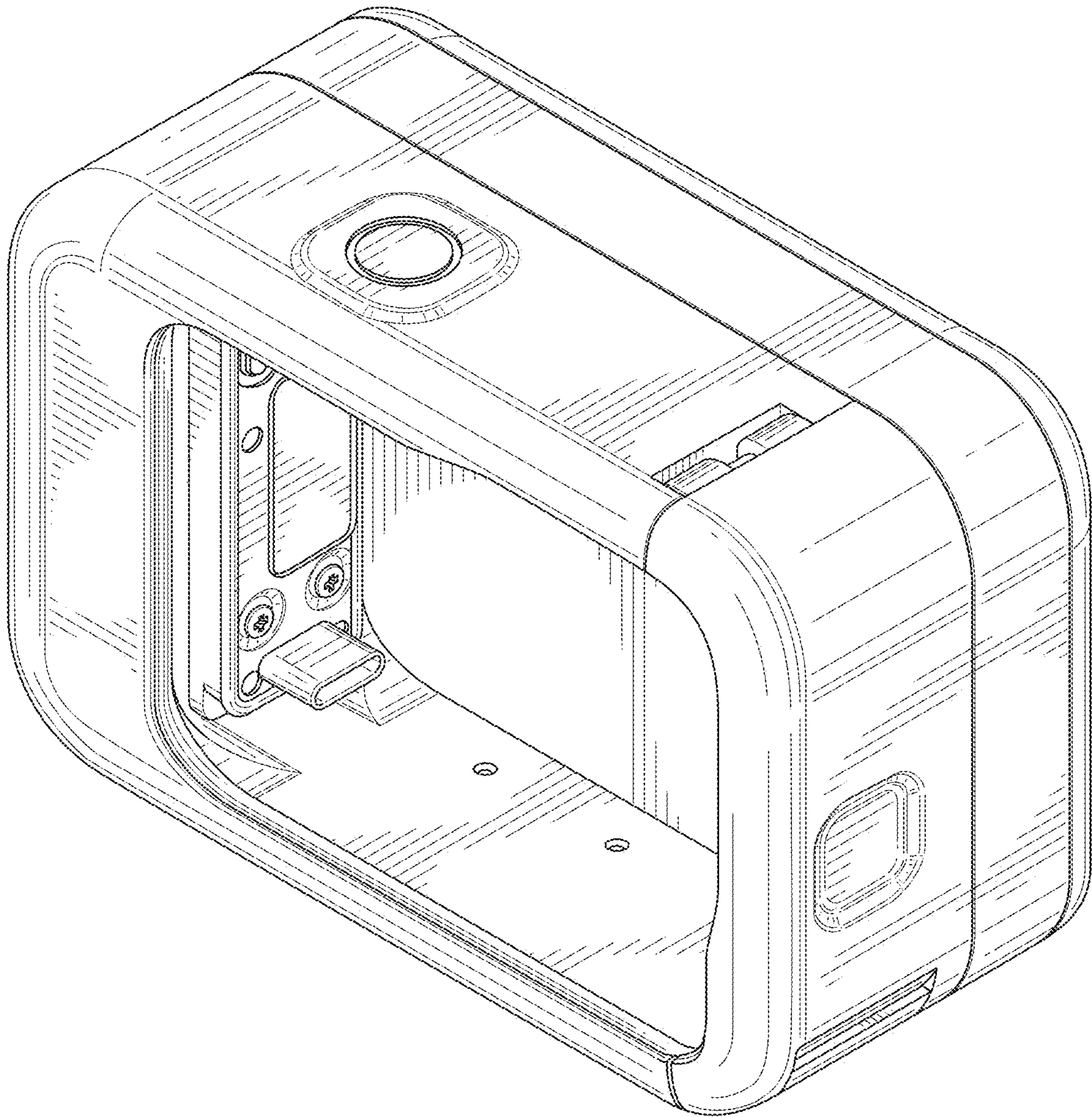


FIG. 1

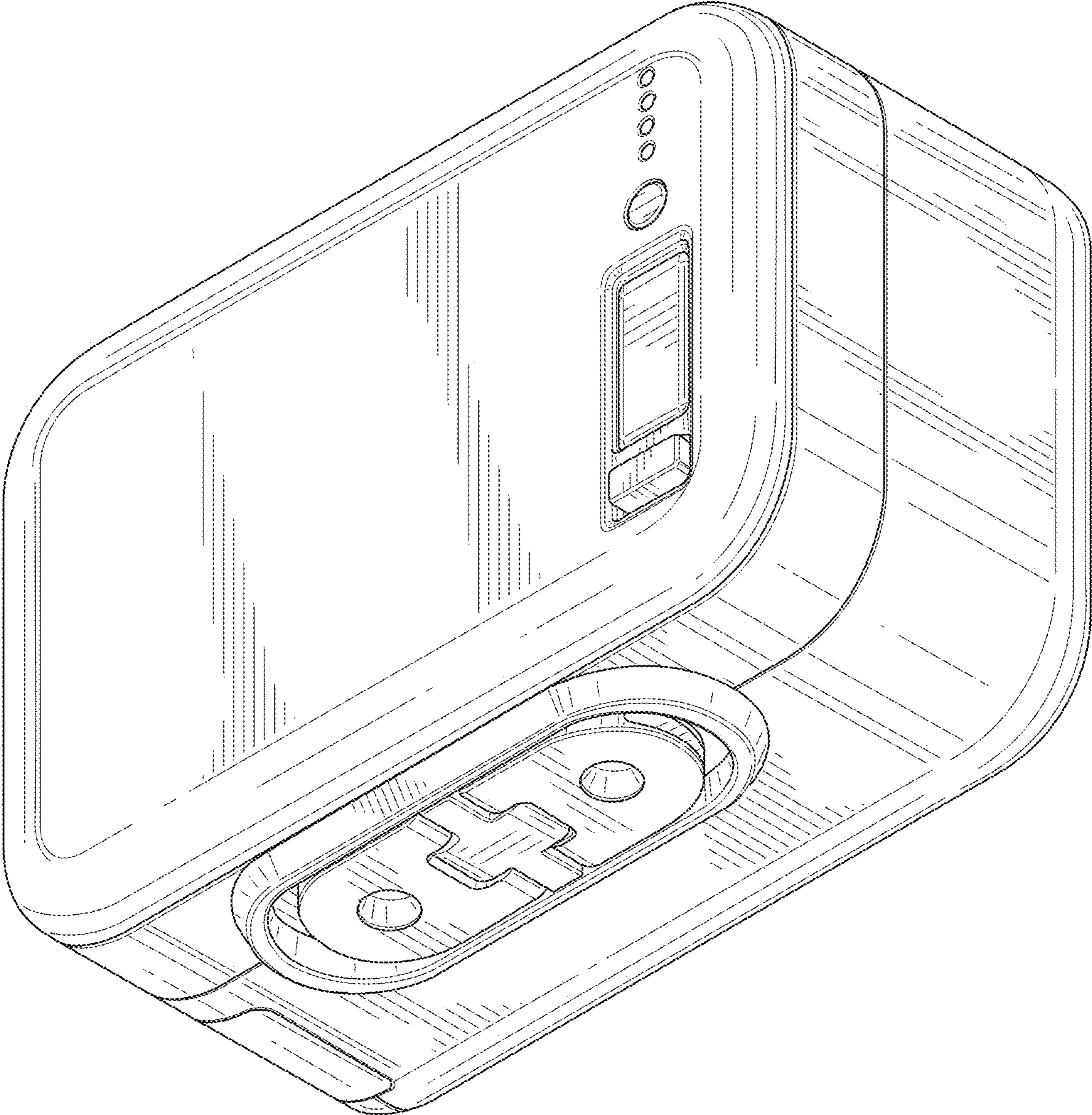


FIG. 2

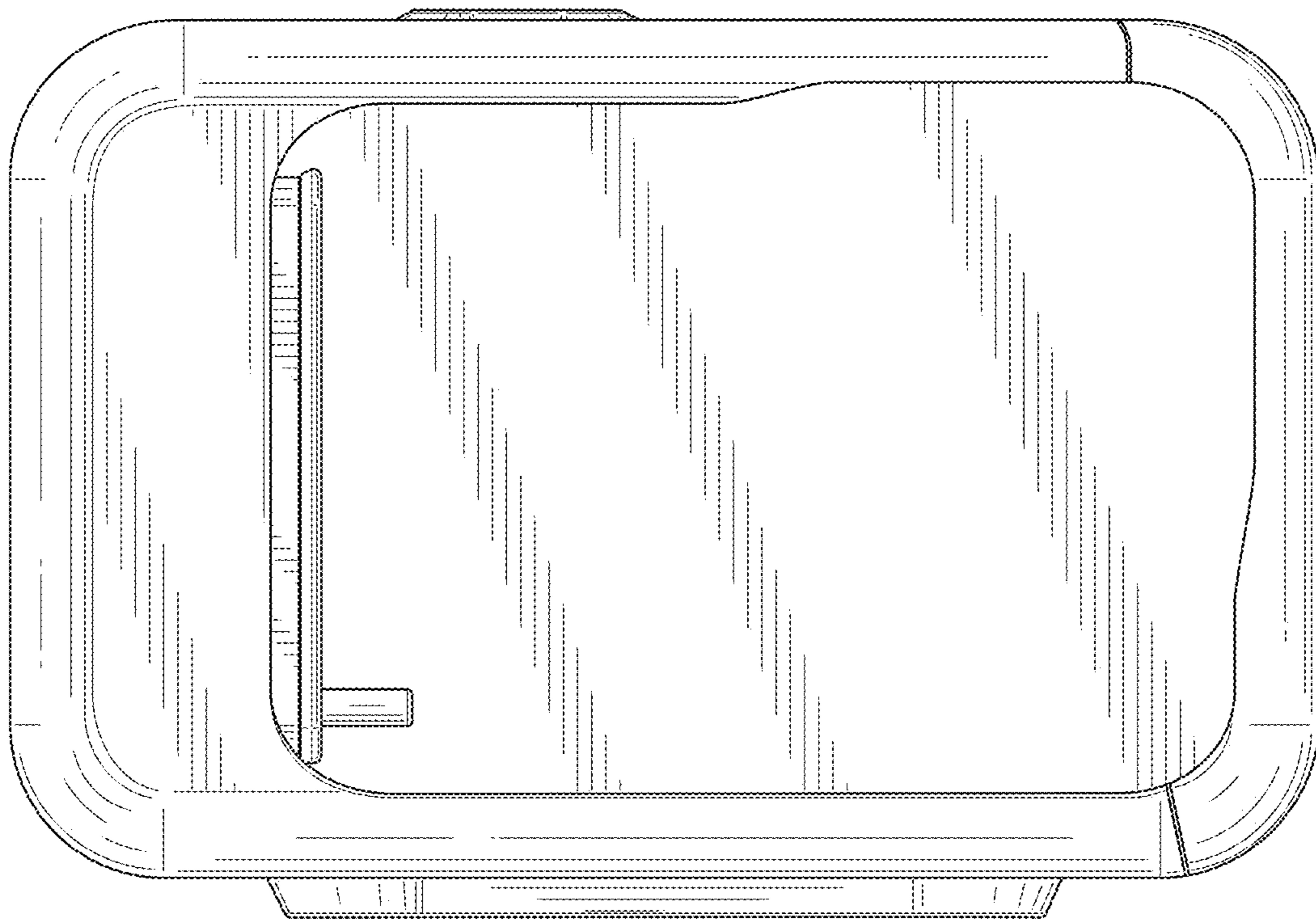


FIG. 3

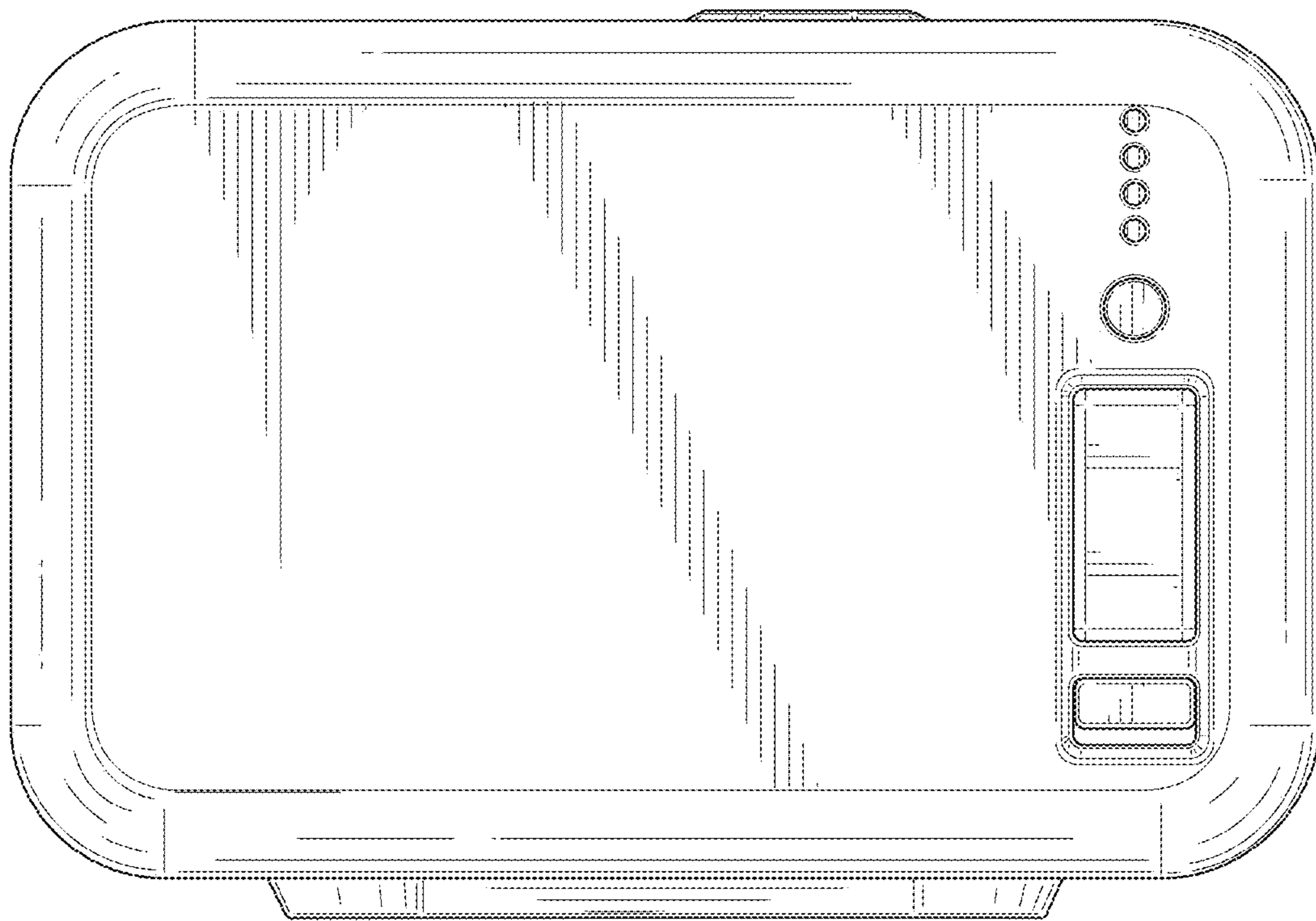


FIG. 4

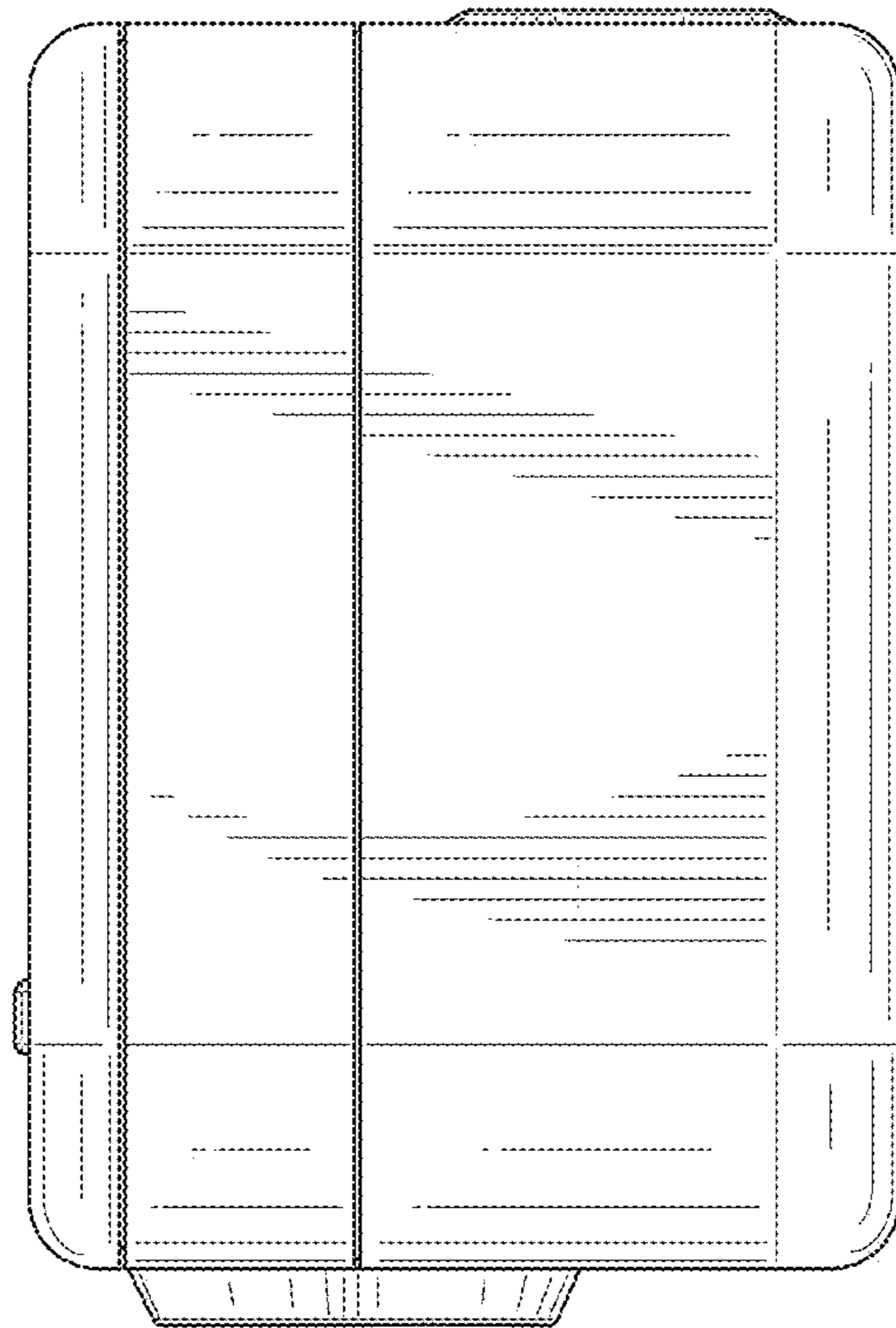


FIG. 5

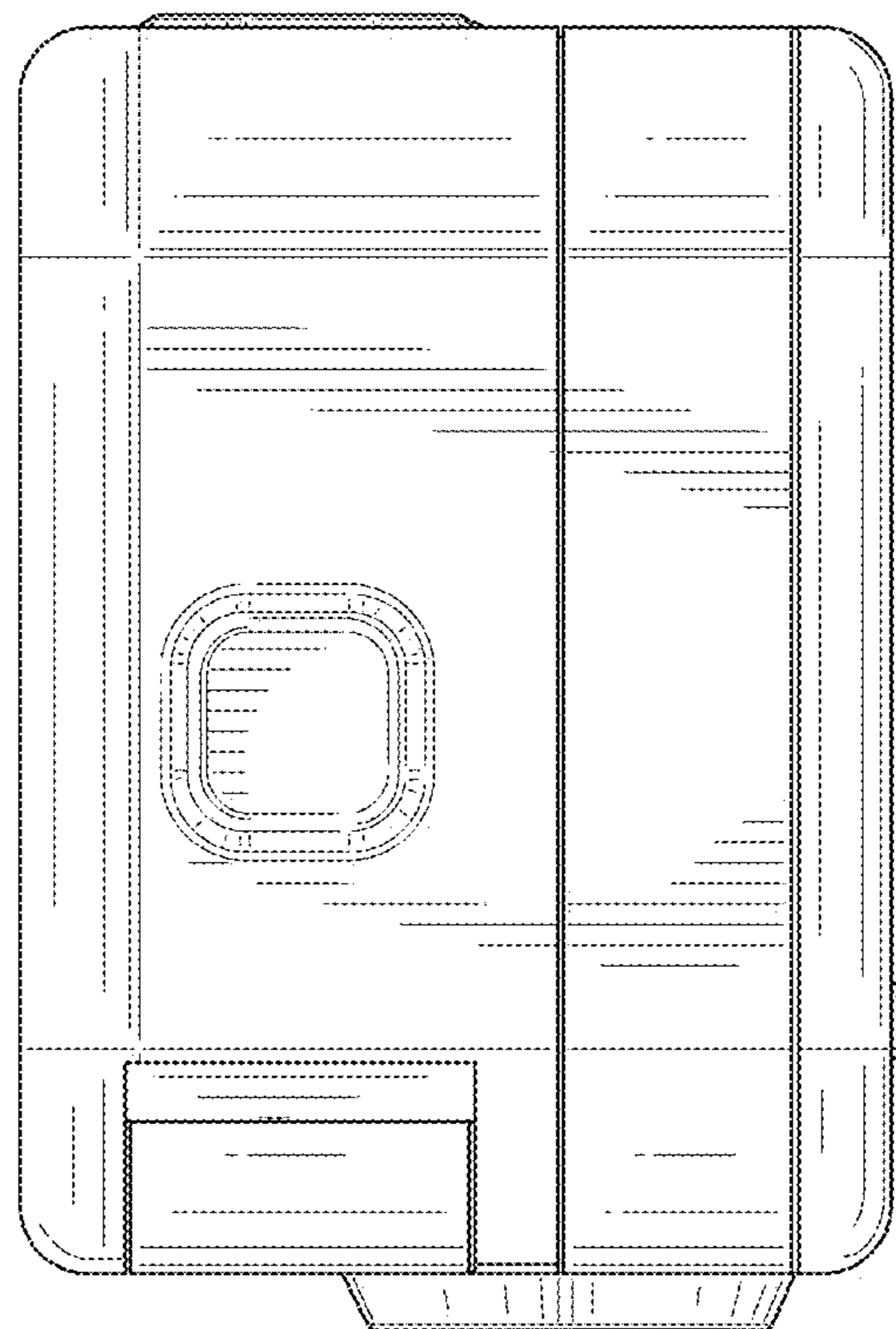


FIG. 6

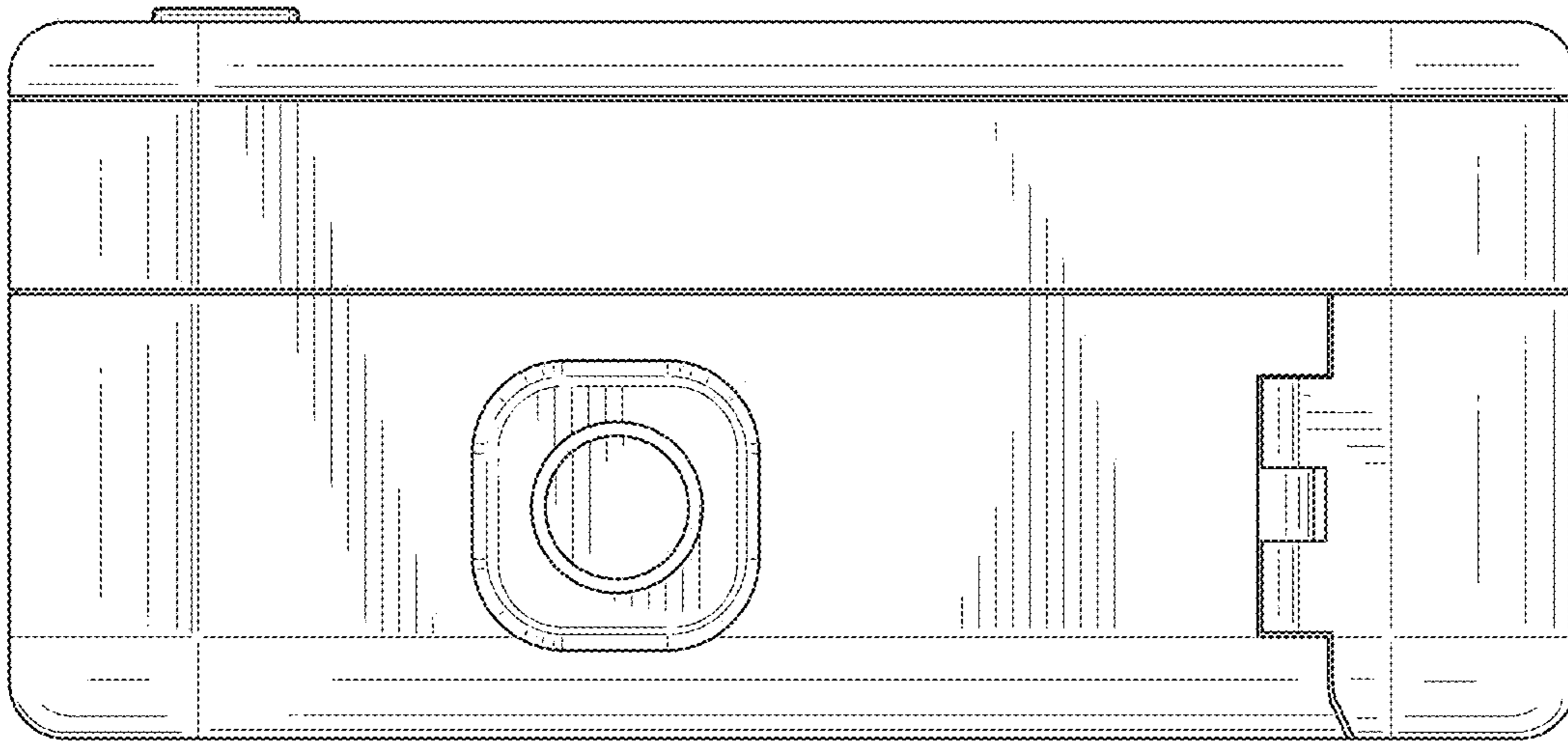


FIG. 7

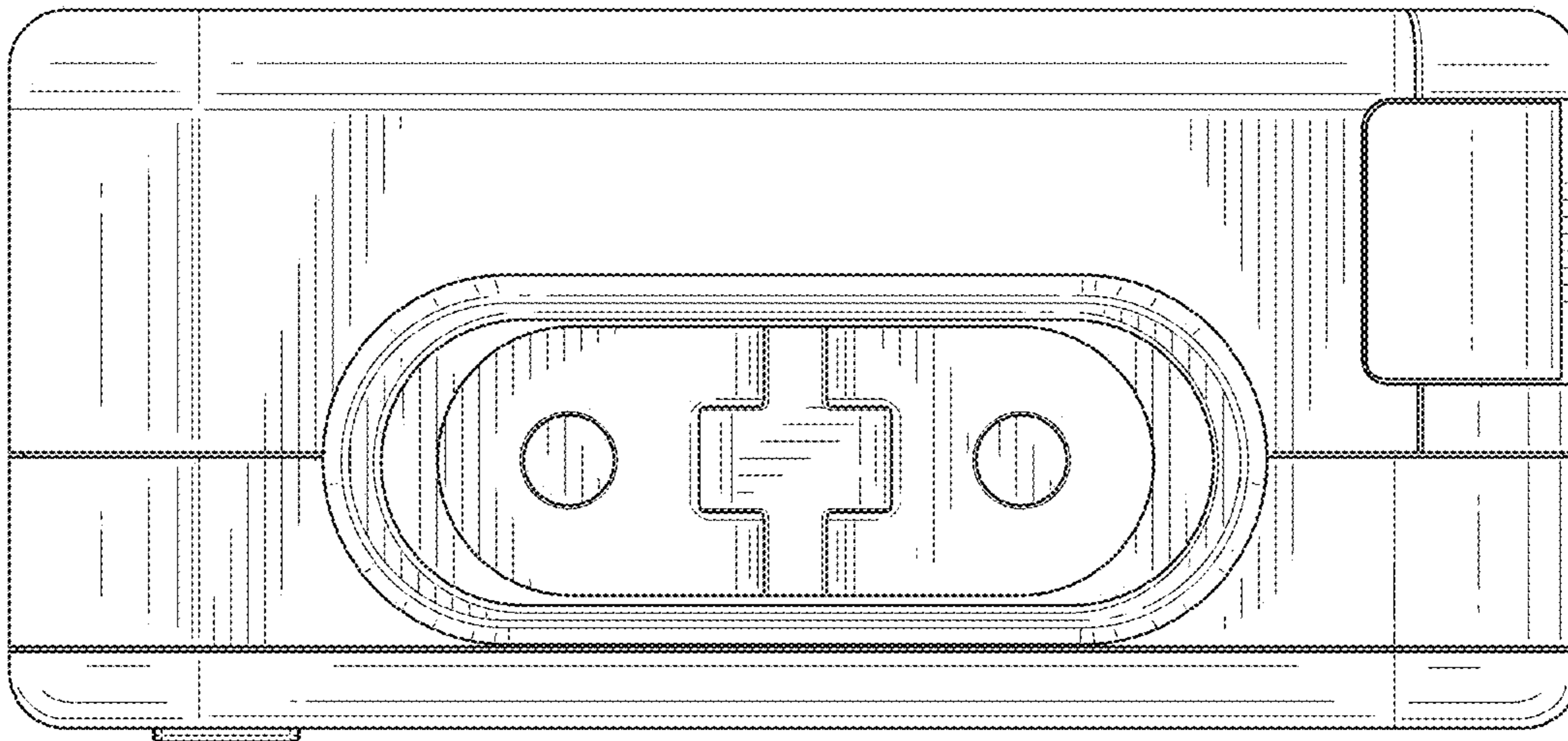


FIG. 8