

US00D921077S

(12) **United States Design Patent**
Wanstead

(10) **Patent No.:** **US D921,077 S**

(45) **Date of Patent:** **** Jun. 1, 2021**

(54) **FUNNEL**

(71) Applicant: **LeRoy Tool and Die, Inc.**, Leroy, MI (US)

(72) Inventor: **Eric Wanstead**, Leroy, MI (US)

(73) Assignee: **LEROY TOOL AND DIE, INC.**, Leroy, MI (US)

(**) Term: **15 Years**

(21) Appl. No.: **29/719,662**

(22) Filed: **Jan. 7, 2020**

(51) **LOC (13) Cl.** **09-09**

(52) **U.S. Cl.**
USPC **D15/150**

(58) **Field of Classification Search**
USPC D7/700; D15/150, 151, 152; D23/200;
D24/121-123

CPC B25B 27/0042; B67B 7/26; B67C 11/02;
B67C 2011/30; B67C 2011/025

See application file for complete search history.

(56) **References Cited**

U.S. PATENT DOCUMENTS

865,572	A *	9/1907	Dawson	B01D 29/085	210/455
1,050,028	A *	1/1913	Jarratt	B01D 65/00	210/251
1,662,147	A *	3/1928	Farden	B67C 11/02	141/339
D135,952	S *	7/1943	Warren	D7/700	
D143,458	S *	1/1946	Zabel et al.	D7/700	
D153,202	S *	3/1949	Beller	D7/700	
3,374,897	A *	3/1968	Martin	A47J 31/446	210/455
3,626,942	A *	12/1971	Waldron	A61F 5/4553	604/330
D241,597	S *	9/1976	Confer et al.	D23/200	
D299,301	S *	1/1989	Wirth	D7/700	

D306,951	S *	4/1990	Brandstrom	D23/200	
D310,172	S *	8/1990	Parker	D7/700	
D334,120	S *	3/1993	Faught	D7/700	
D335,924	S *	5/1993	Nilsson	D24/115	
D340,460	S *	10/1993	Pollak	D15/150	
D340,467	S *	10/1993	Pollak	D15/150	
D350,969	S *	9/1994	Chrisco	D15/150	
D364,630	S *	11/1995	Akiona	D15/150	
D375,878	S *	11/1996	Morris	D7/700	

(Continued)

OTHER PUBLICATIONS

<https://www.amazon.com/Gasoline-Liquids-Kerosene-Flexible-Extension/dp/B00RTLUPVC-NPL-11-8-2015> (Year: 2015).*

Primary Examiner — Patricia A Palasik

(74) *Attorney, Agent, or Firm* — Greenberg Traurig, LLP

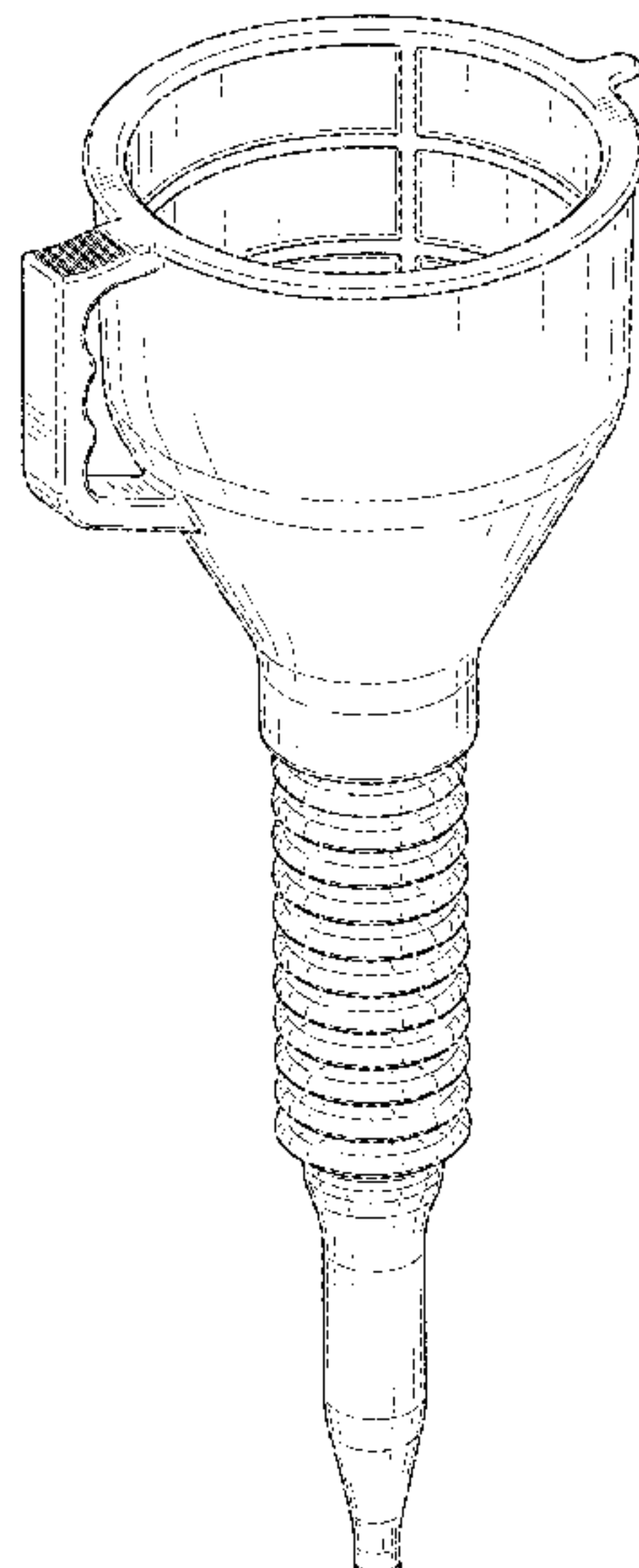
(57) **CLAIM**

The ornamental design for a funnel, as shown and described.

DESCRIPTION

FIG. 1 is a perspective view of an embodiment of a funnel;
 FIG. 2 is a front elevational view thereof;
 FIG. 3 is a rear elevational view thereof;
 FIG. 4 is a left side elevational view thereof;
 FIG. 5 is a right side elevational view thereof;
 FIG. 6 is a top plan view thereof;
 FIG. 7 is a bottom plan view thereof;
 FIG. 8 is a perspective view of another embodiment of a funnel with certain elements thereof shown in phantom and forming no part of the claimed design;
 FIG. 9 is a front elevational view thereof;
 FIG. 10 is a rear elevational view thereof;
 FIG. 11 is a left side elevational view thereof;
 FIG. 12 is a right side elevational view thereof;
 FIG. 13 is a top plan view thereof; and,
 FIG. 14 is a bottom plan view thereof.

1 Claim, 12 Drawing Sheets



(56)

References Cited

U.S. PATENT DOCUMENTS

D404,462 S * 1/1999 Otto D15/199
6,142,193 A * 11/2000 Sanders B65B 39/04
141/300
6,318,422 B2 * 11/2001 Woratyla B67C 11/02
141/331
6,340,038 B1 * 1/2002 Ingram B67C 11/02
141/333
6,450,219 B1 * 9/2002 Ingram B67C 11/02
141/331
D559,048 S * 1/2008 McKenzie D15/150
D560,105 S * 1/2008 McKenzie D15/150
D567,038 S * 4/2008 Carallo D7/700
D671,379 S * 11/2012 Lion D7/700

* cited by examiner

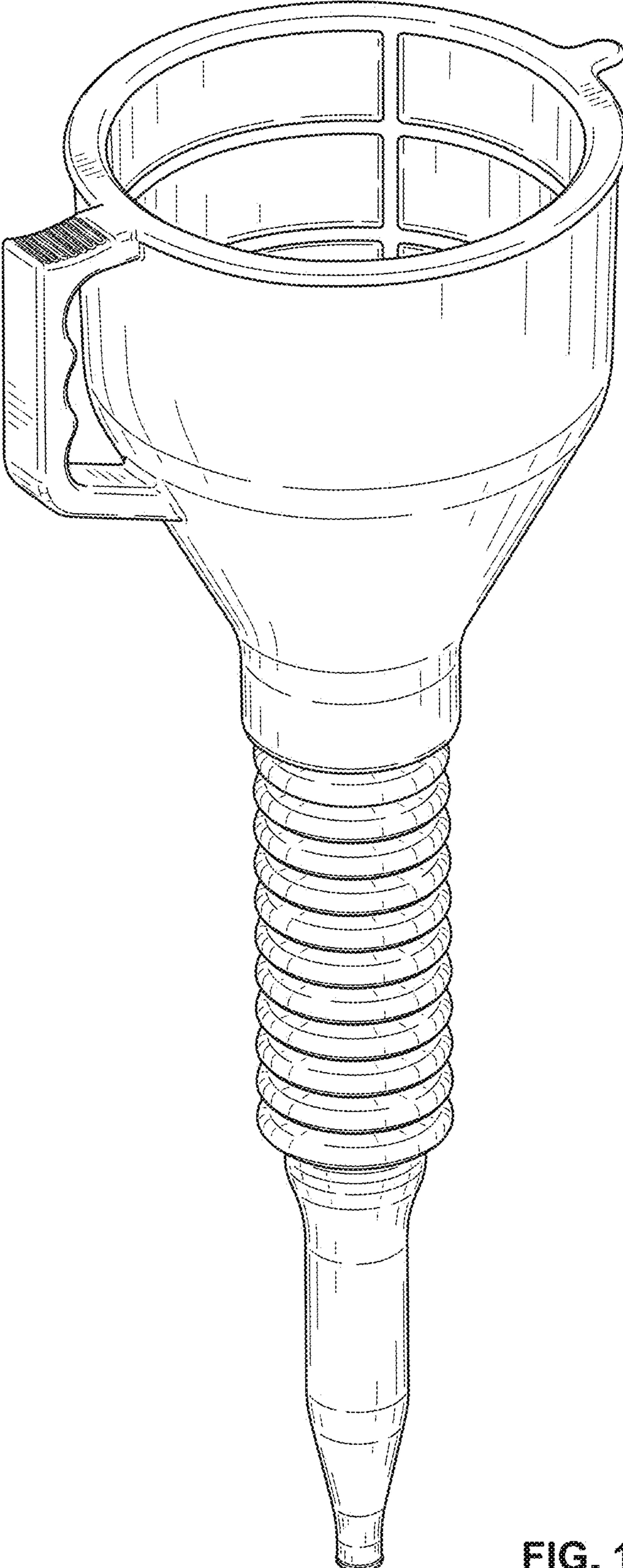


FIG. 1

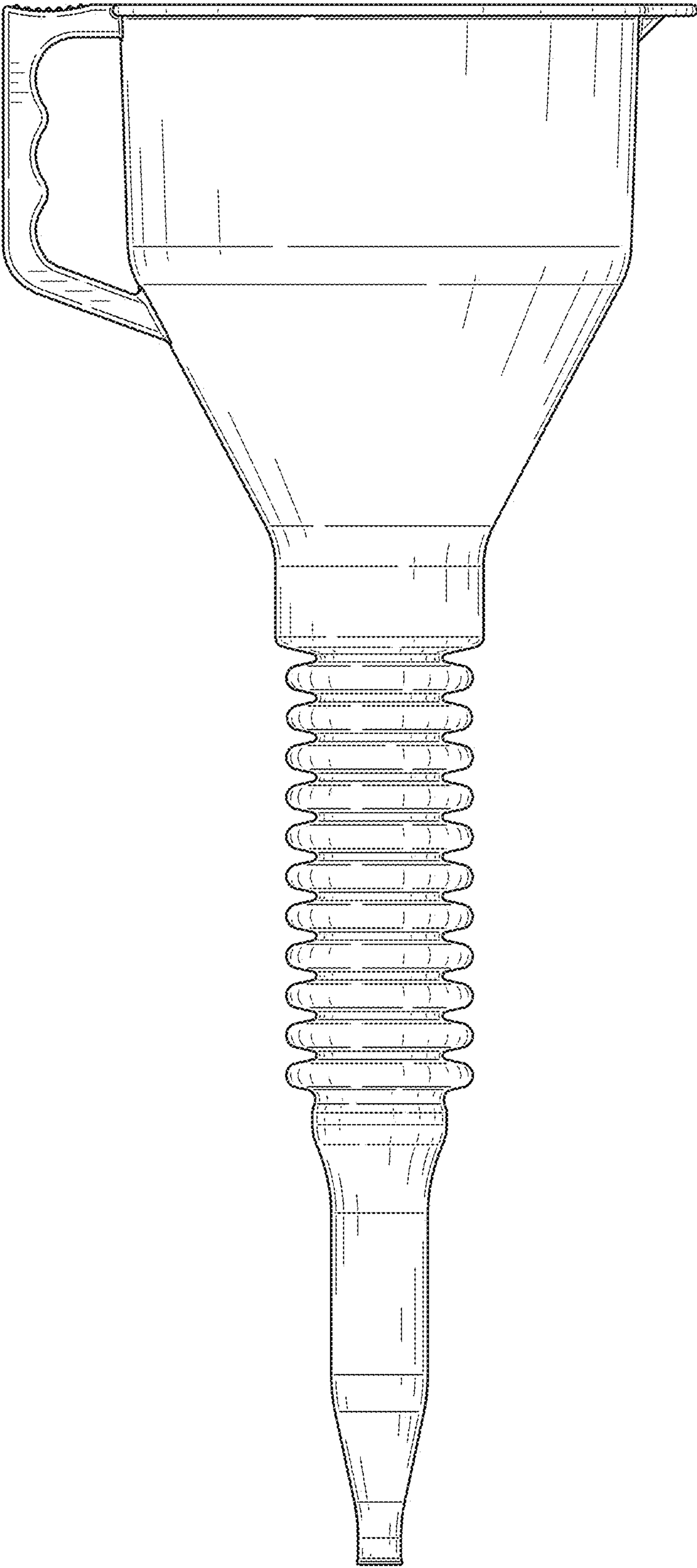


FIG. 2

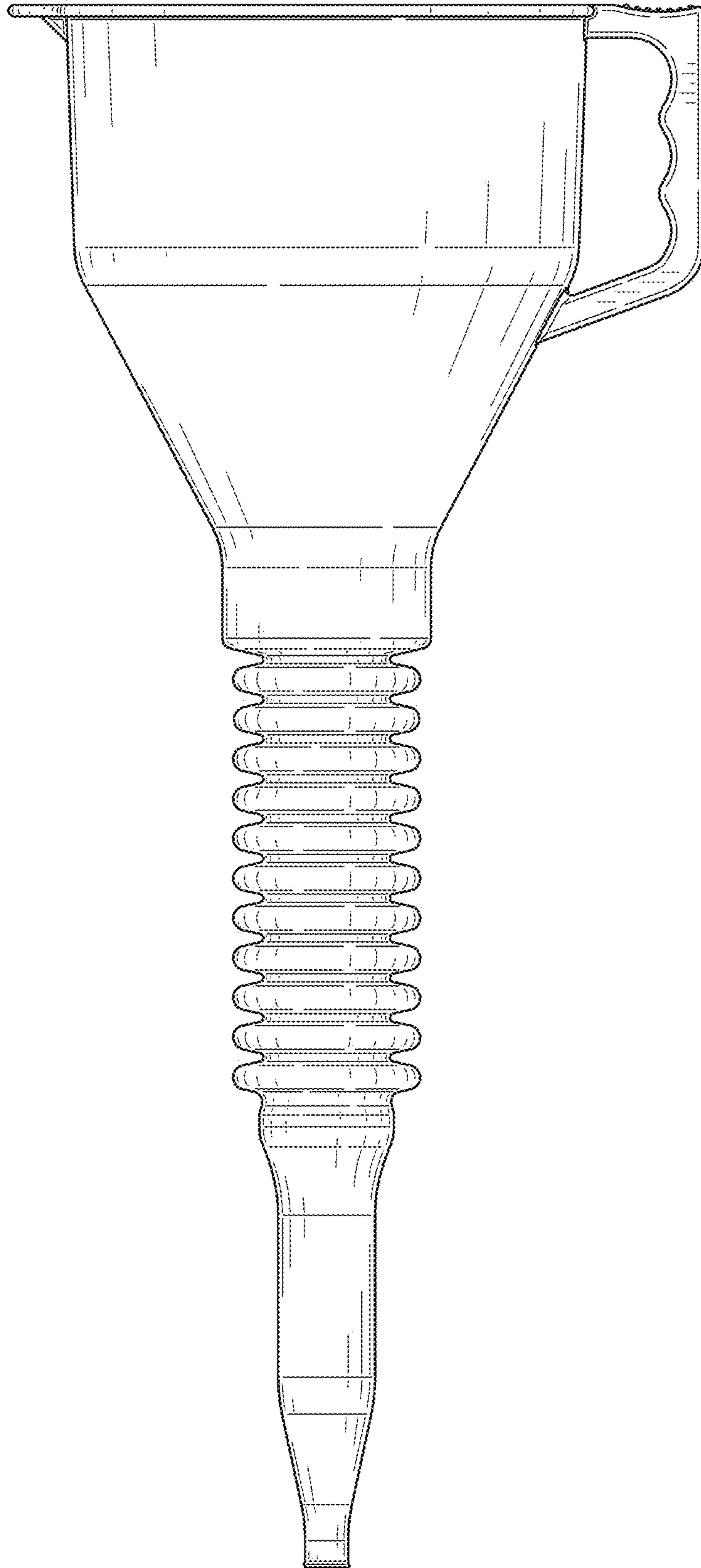


FIG. 3

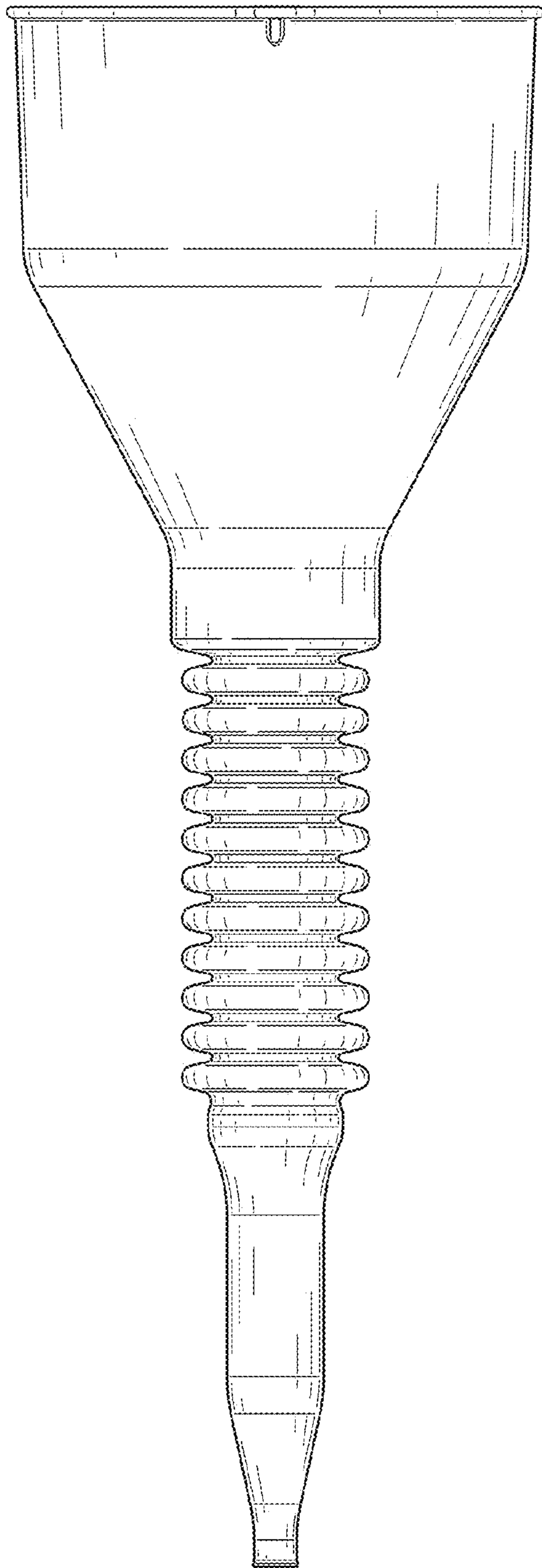


FIG. 4

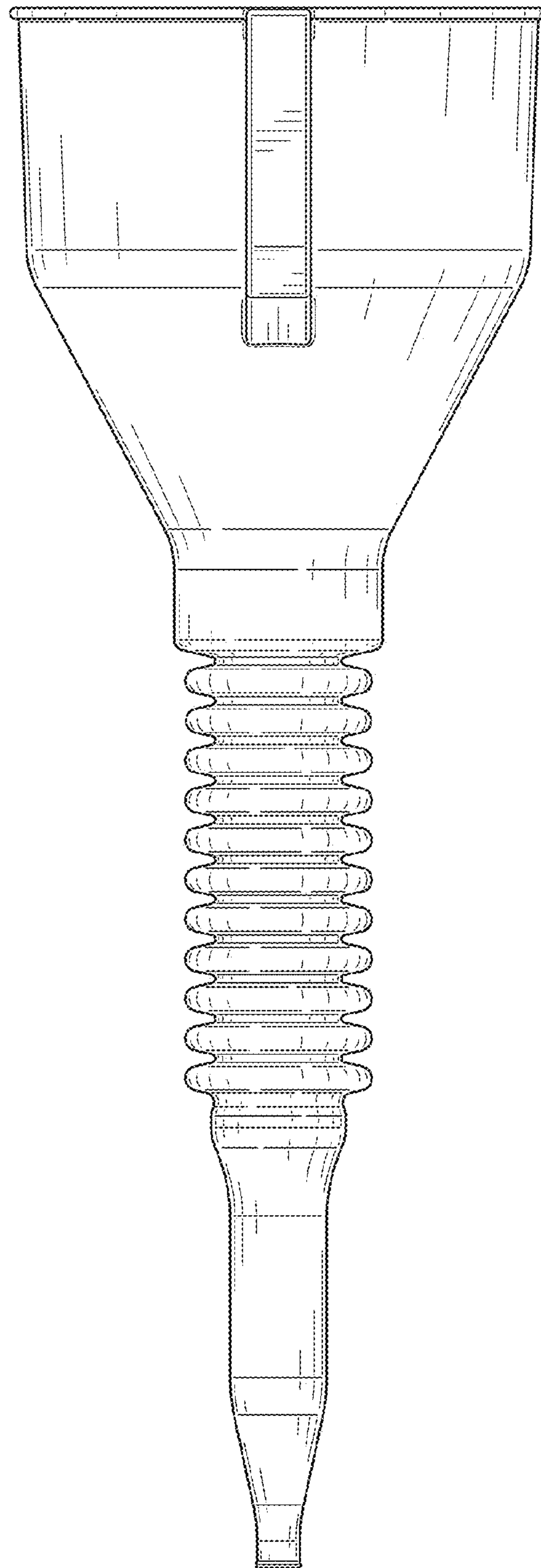


FIG. 5

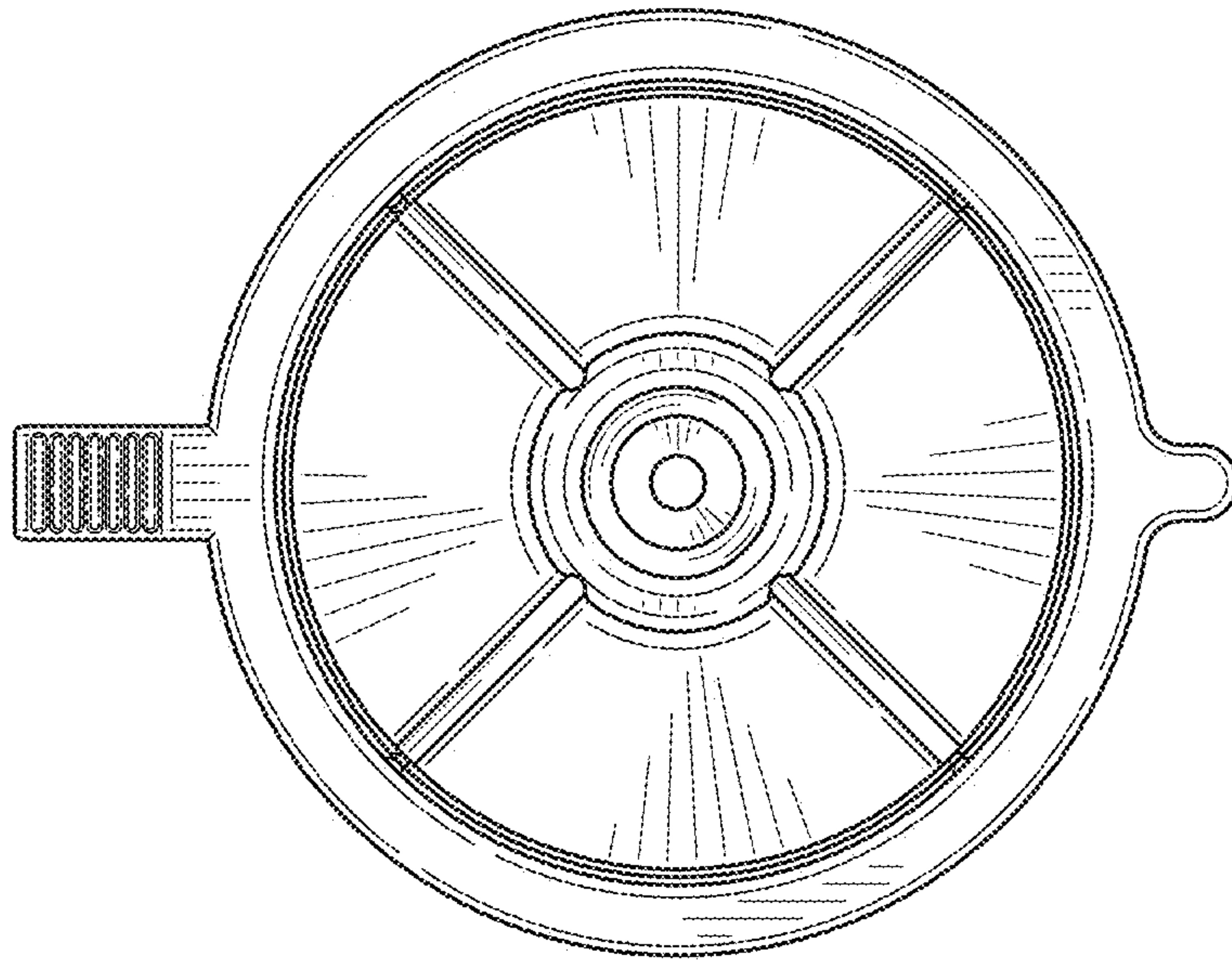


FIG. 6

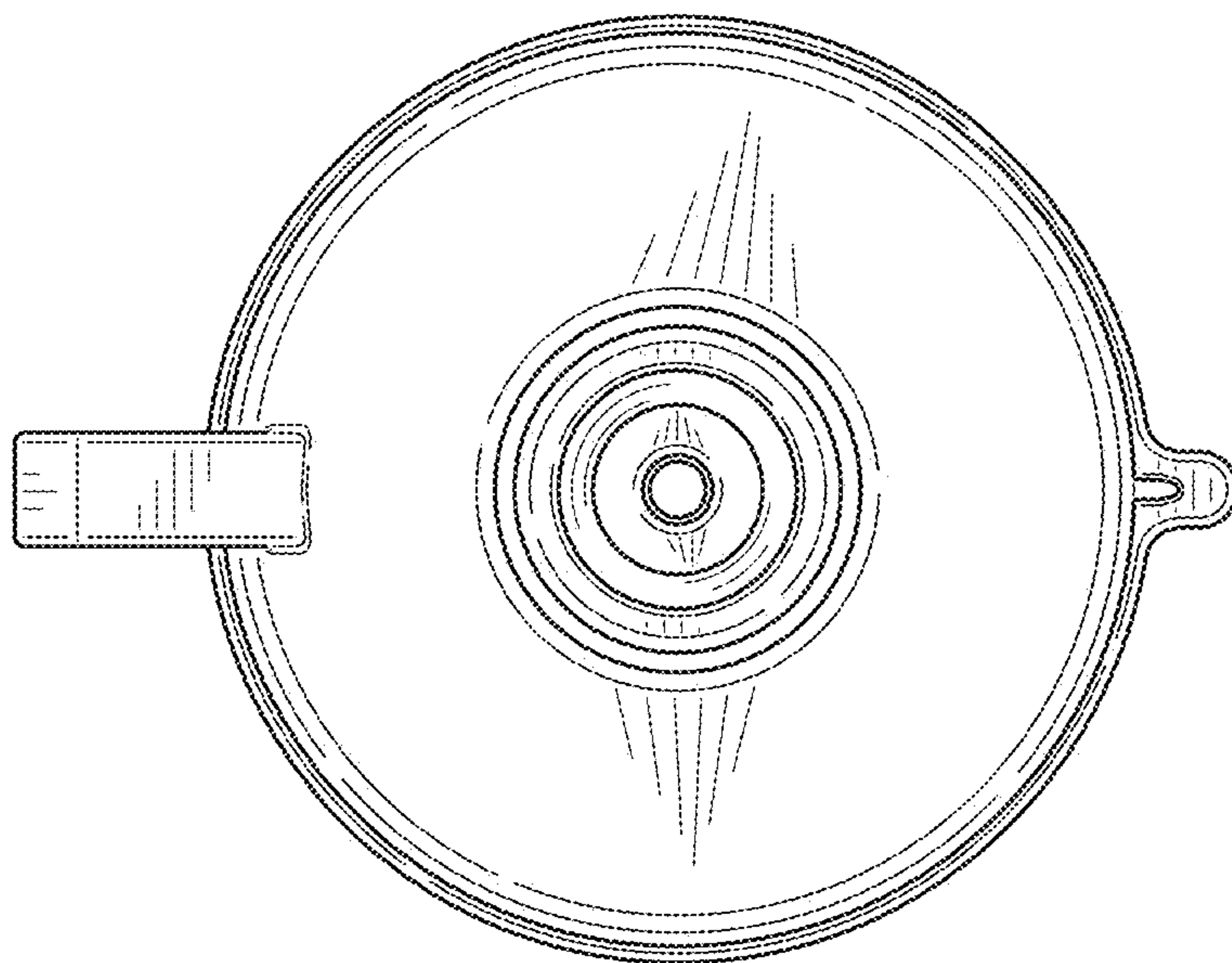


FIG. 7

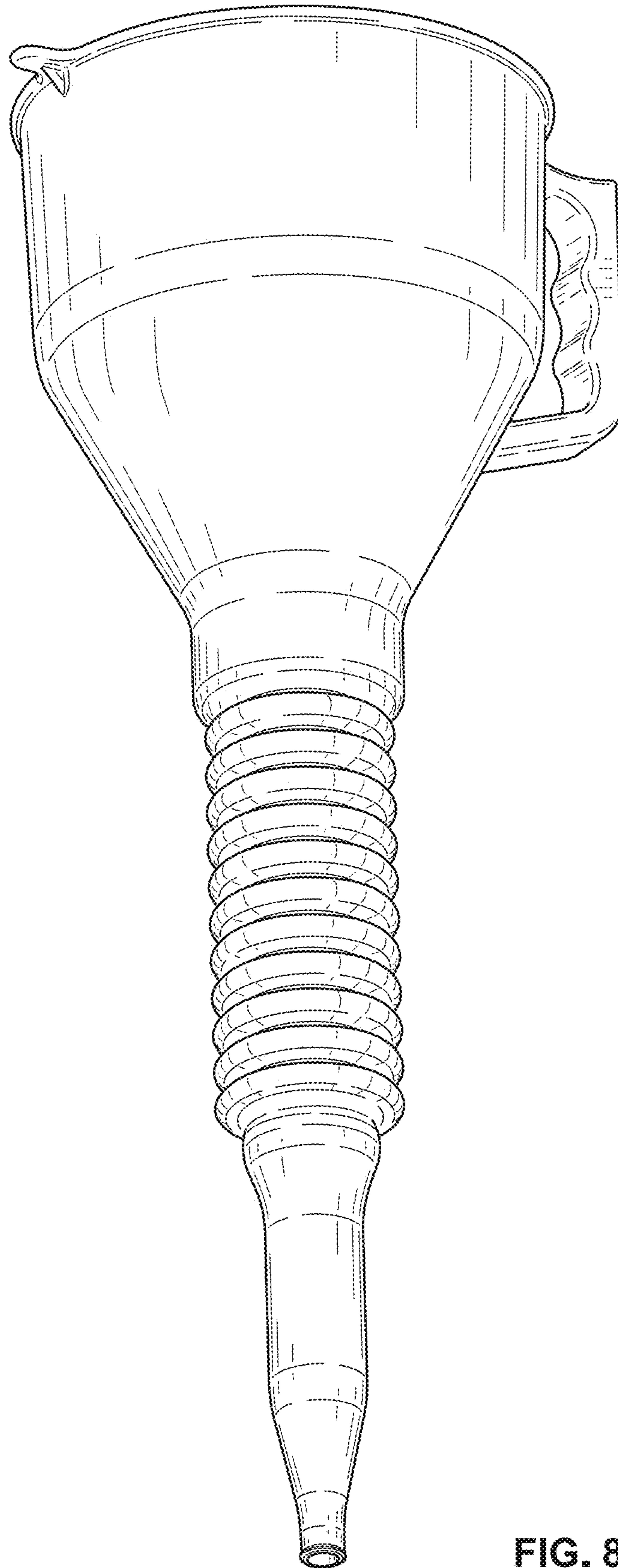


FIG. 8

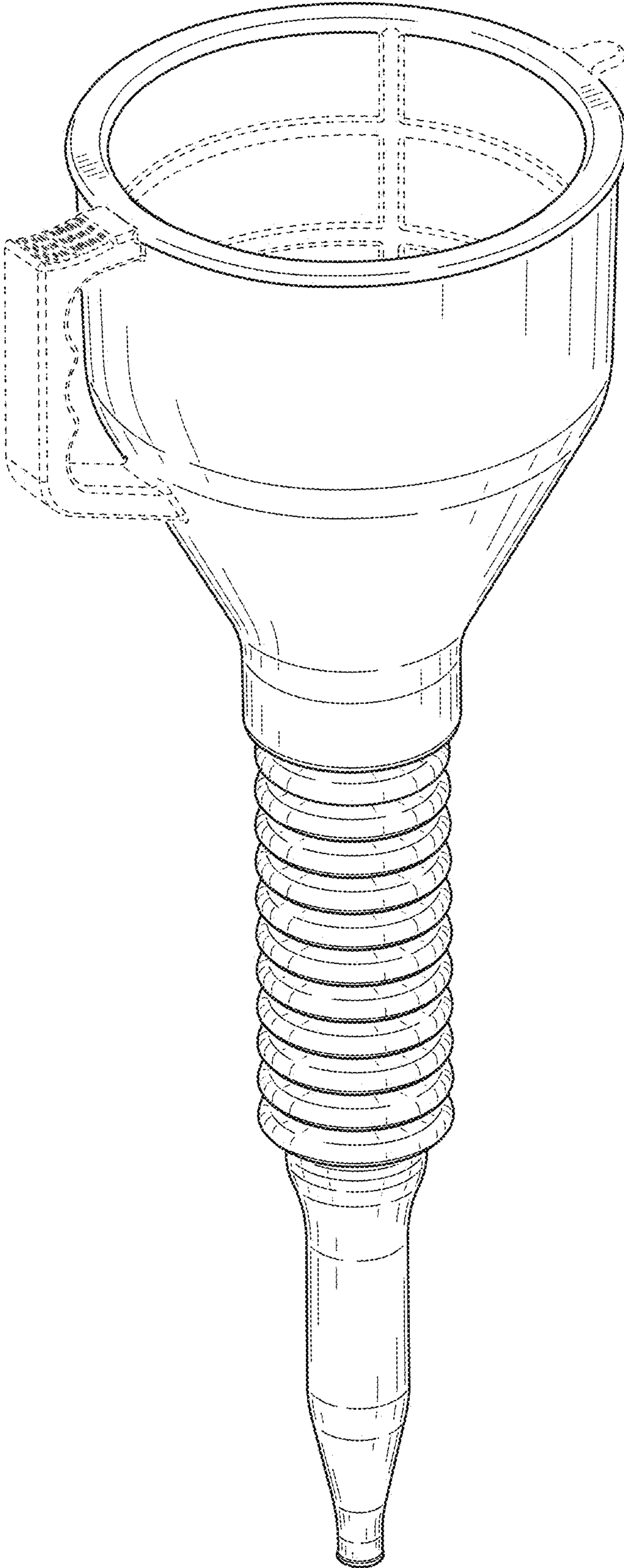


FIG. 9

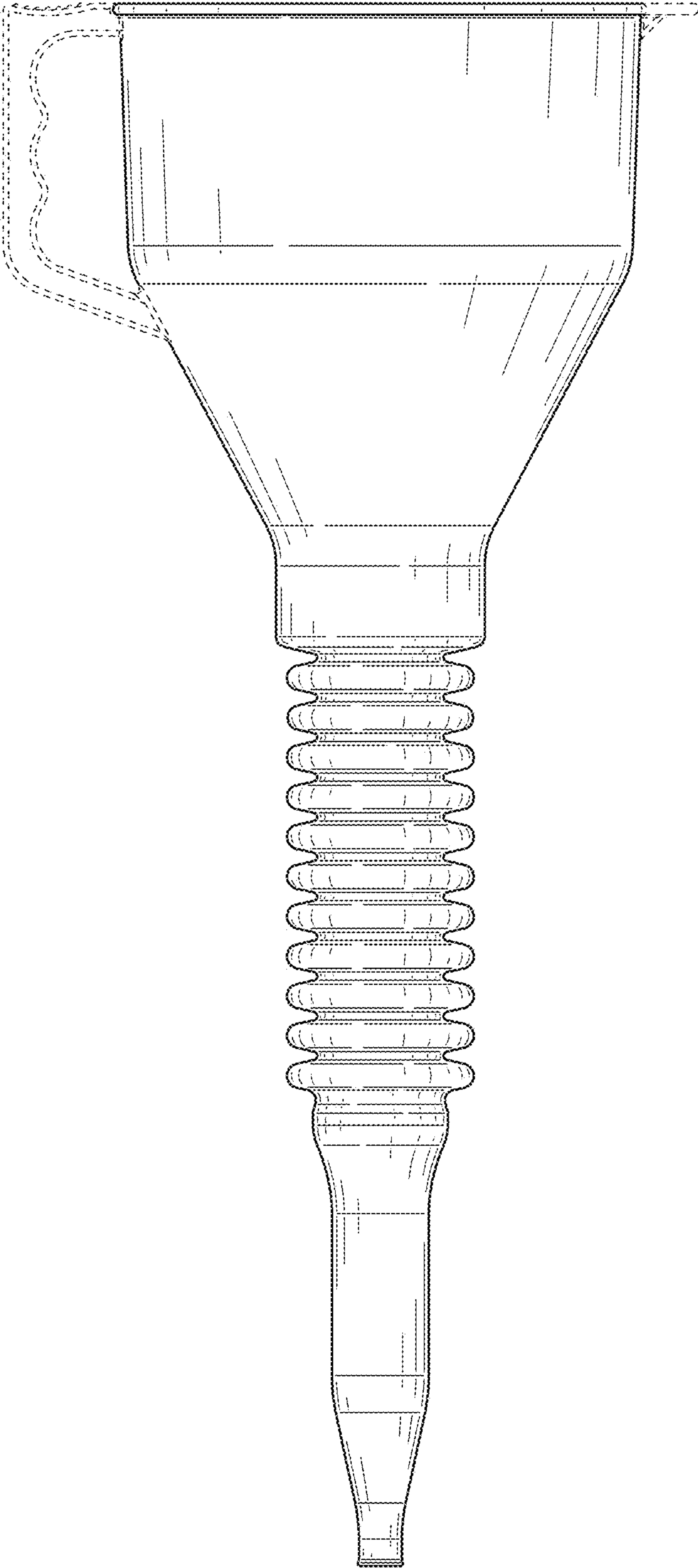


FIG. 10

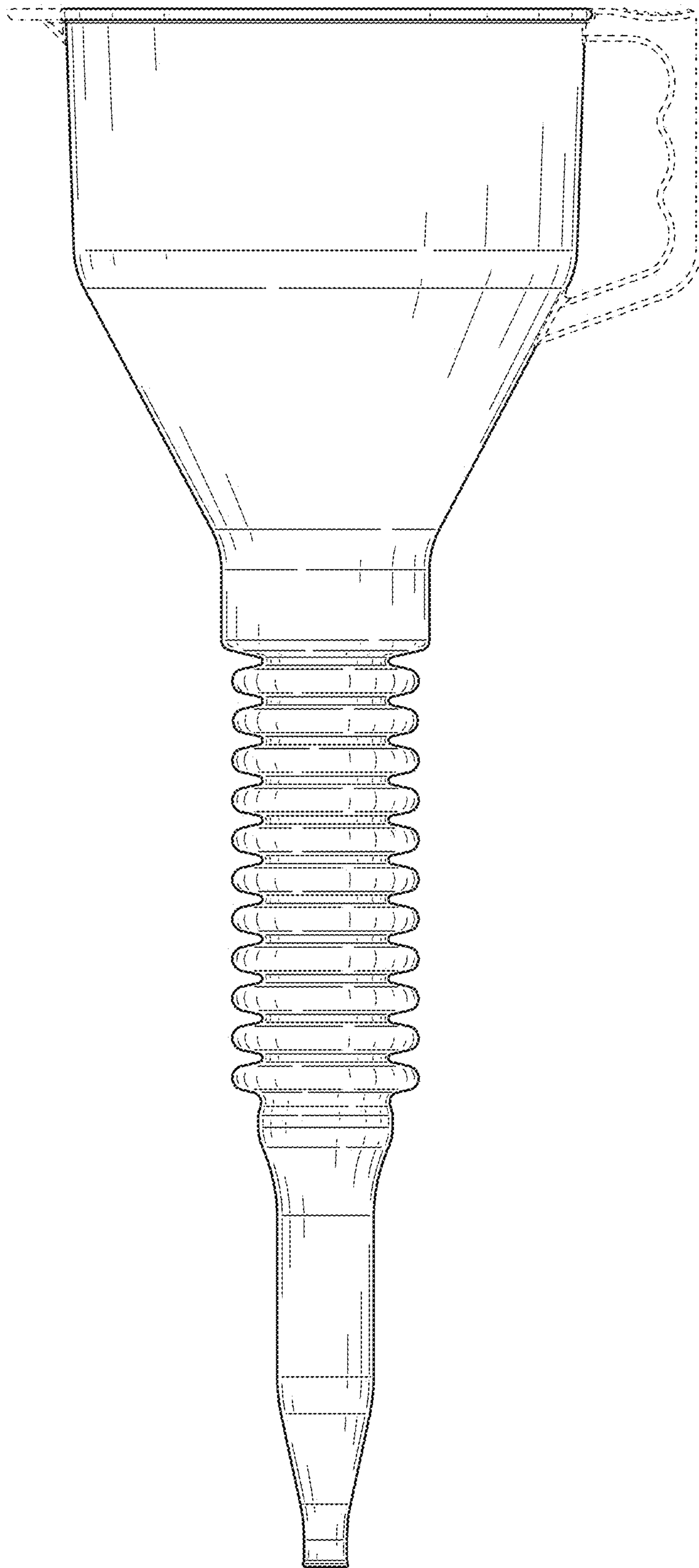


FIG. 11

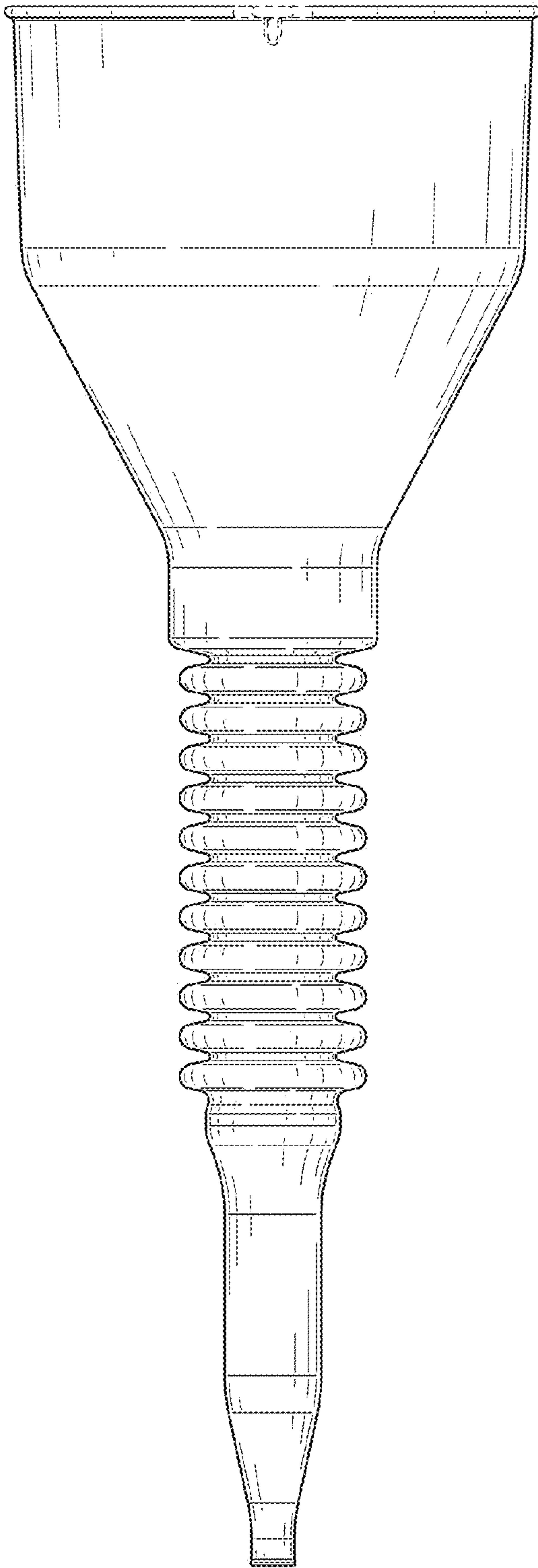


FIG. 12

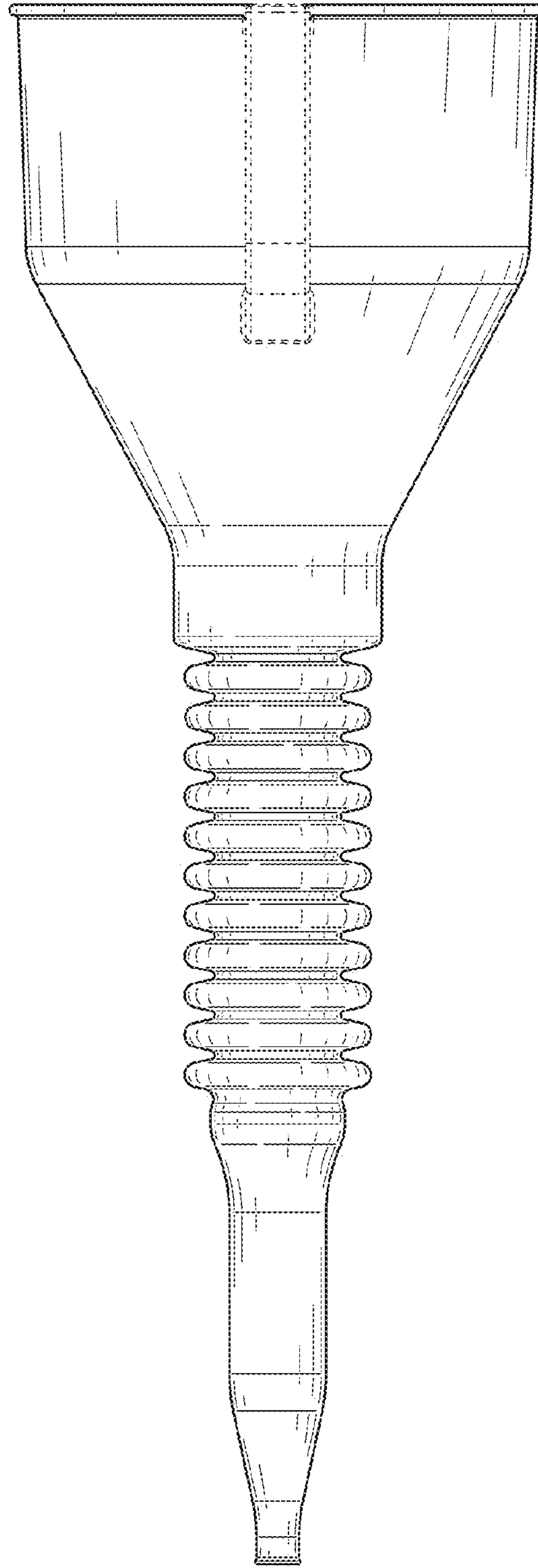


FIG. 13

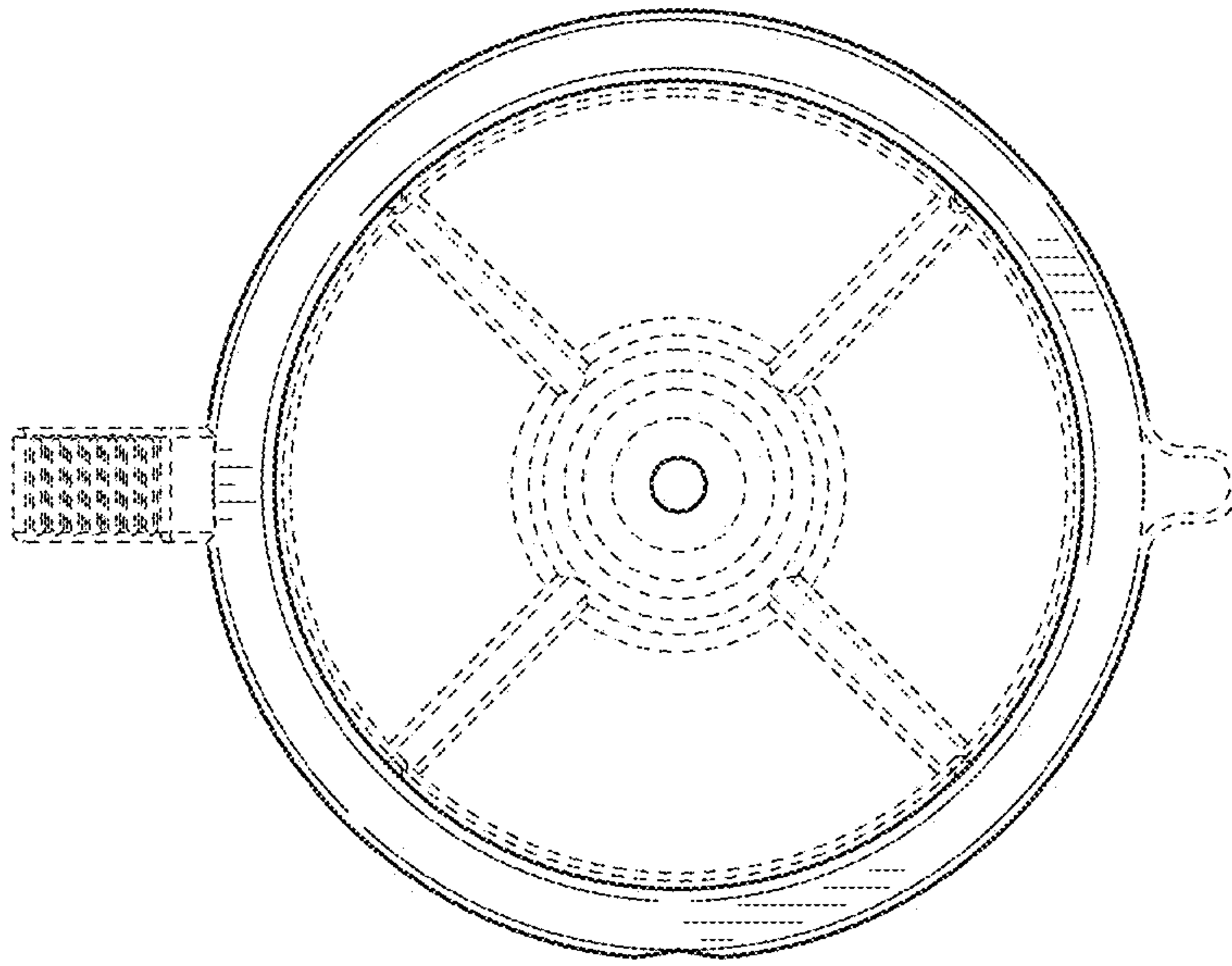


FIG. 14

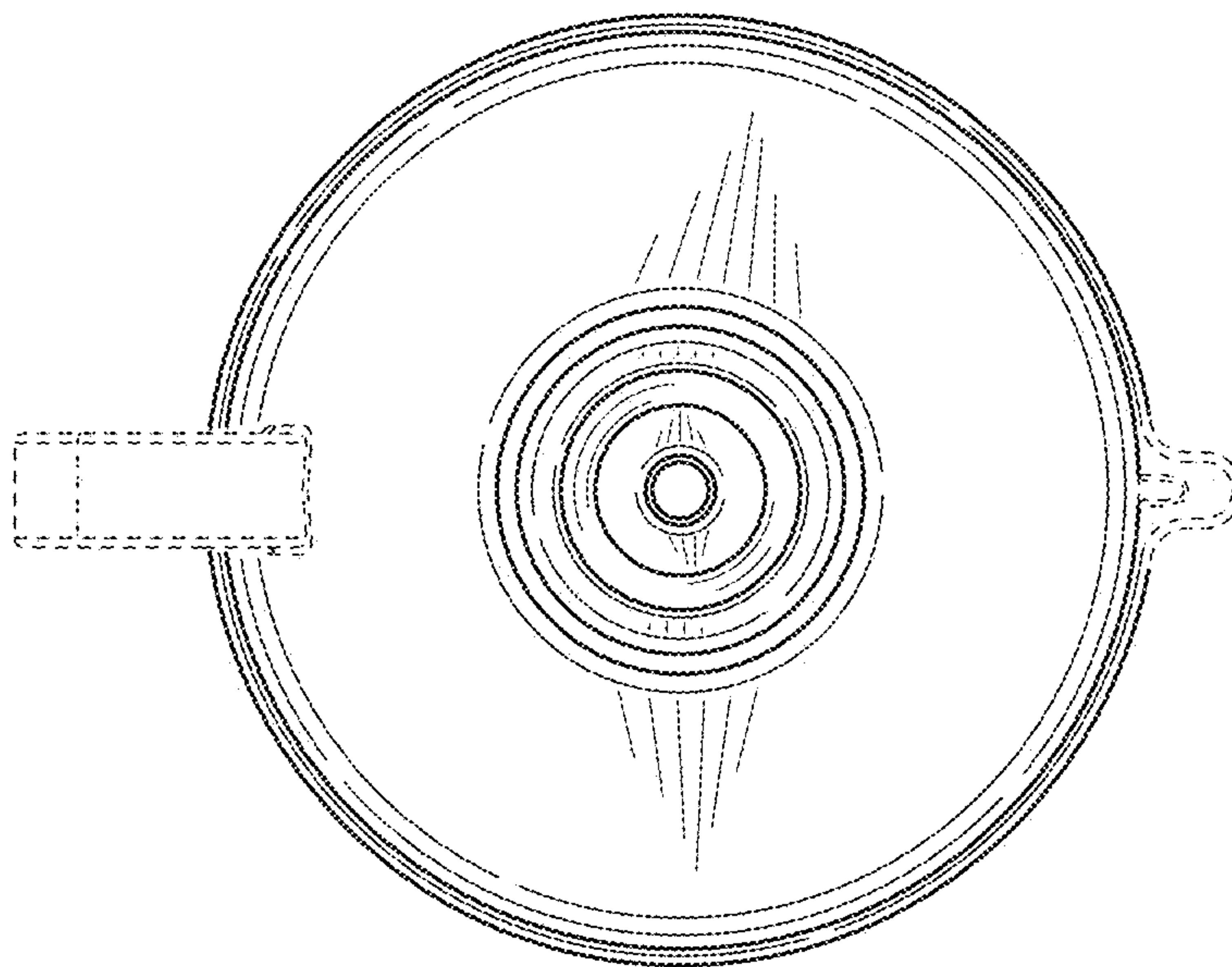


FIG. 15

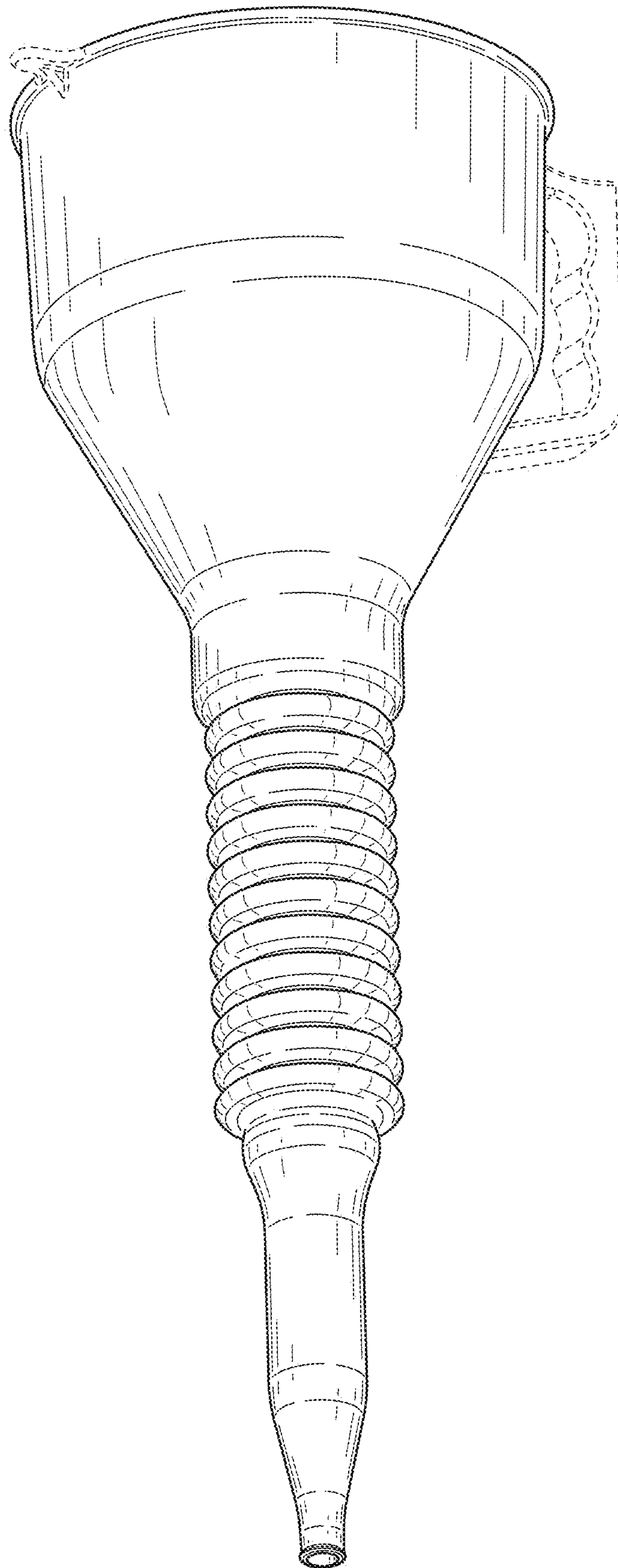


FIG. 16