



US00D921074S

(12) **United States Design Patent**
Li

(10) **Patent No.:** **US D921,074 S**

(45) **Date of Patent:** **** Jun. 1, 2021**

(54) **LOW-SPEED CUTTING MACHINE**

(71) Applicant: **ZHEJIANG BURLEY TOOLS CO., LTD.**, Zhejiang (CN)

(72) Inventor: **Tingjin Li**, Zhejiang (CN)

(**) Term: **15 Years**

(21) Appl. No.: **29/680,888**

(22) Filed: **Feb. 21, 2019**

(30) **Foreign Application Priority Data**

Nov. 9, 2018 (CN) 201830632535.X

(51) **LOC (13) Cl.** **15-09**

(52) **U.S. Cl.**
USPC **D15/133; D8/66**

(58) **Field of Classification Search**
USPC D15/77, 127, 133, 138, 139; 144/176,
144/218, 231, 235, 241, 294; 83/840,
83/397, 468.3, 471.3; 241/194, 294;
D8/5, 6, 7, 8, 66
CPC A01G 23/067; B02C 4/305; B02C 7/12;
B02C 18/18; B02C 13/28; B02C 13/2804;
B27G 13/00; B27G 13/10; B27L 11/00;
B23D 47/02; B23D 45/14; B27B 27/10;
B27B 5/18; B28D 7/02
See application file for complete search history.

(56) **References Cited**

U.S. PATENT DOCUMENTS

4,527,453 A * 7/1985 van Hauten B23D 45/044
83/468.3
D415,001 S * 10/1999 Welsh D15/133
D420,021 S * 2/2000 Higuchi D15/133
D424,072 S * 5/2000 Shibata D15/133
D436,607 S * 1/2001 Chen D15/133
D471,216 S * 3/2003 Hollinger D15/133
D478,103 S * 8/2003 Kani D15/133
D479,251 S * 9/2003 Wright D15/133

D479,252 S * 9/2003 Ozawa D15/133
D479,454 S * 9/2003 Shih D8/66
D479,539 S * 9/2003 Chen D15/133

(Continued)

FOREIGN PATENT DOCUMENTS

CN 305841454 * 6/2020

OTHER PUBLICATIONS

DeWalt krožna žaga za kovino DW872, Tin-Eye date Aug. 24, 2015 [Online], [Site Visited Oct. 29, 2020] Available From Internet, URL: <<https://www.texastooltraders.com/Chop-Saws/Factory-Reconditioned-Dewalt-DW872R-14-Inch-Multi-Cutter/>> (Year: 2015).*

(Continued)

Primary Examiner — Sheryl Lane
Assistant Examiner — Mark T. Philipps
(74) *Attorney, Agent, or Firm* — Prakash Nama; Global IP Services, PLLC

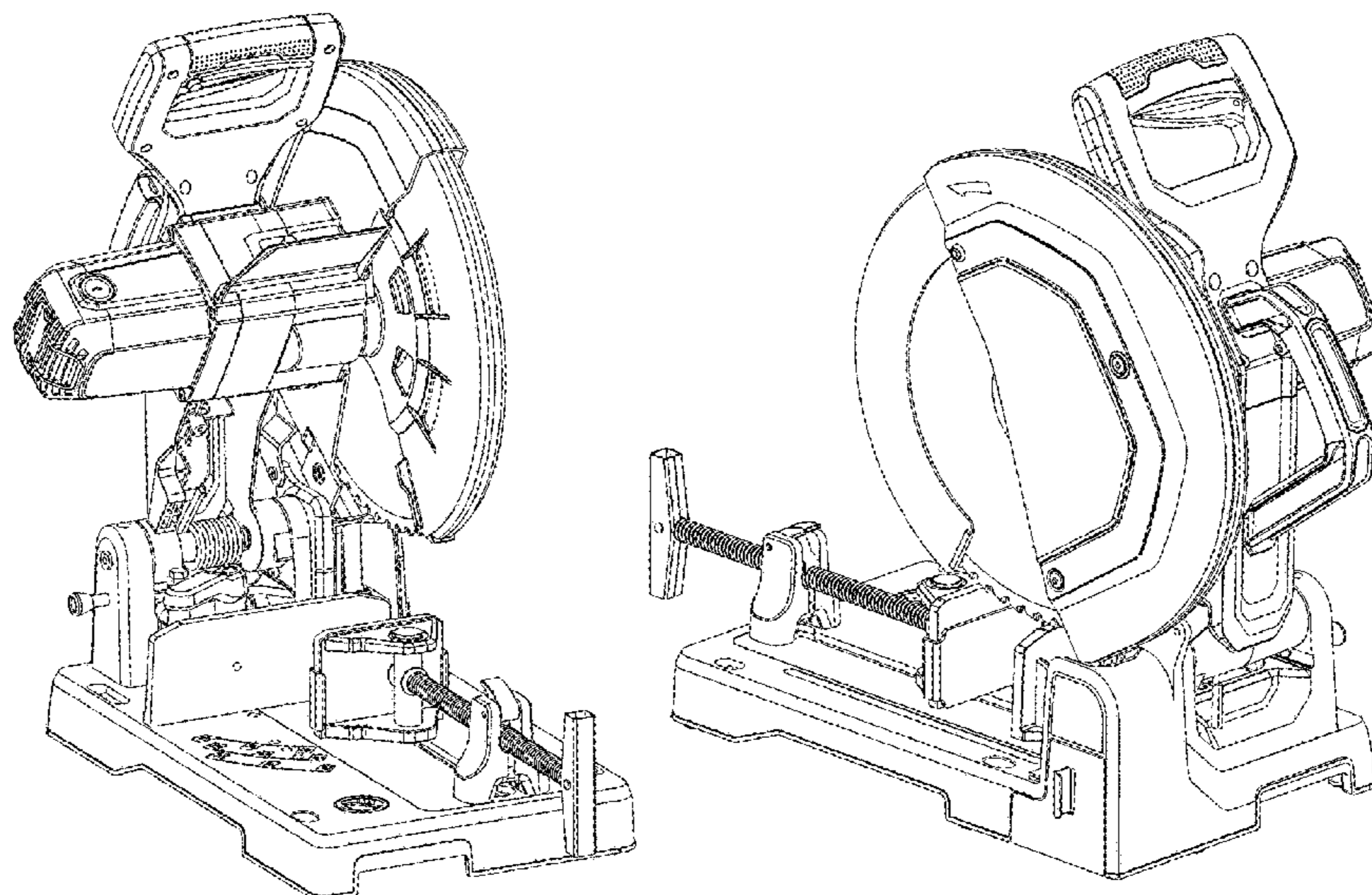
(57) **CLAIM**

The ornamental design for a low-speed cutting machine, as shown and described.

DESCRIPTION

FIG. 1 is a front elevational view of a low-speed cutting machine showing my new design; FIG. 2 is a rear elevational view thereof; FIG. 3 is a left side view thereof; FIG. 4 is a right side view thereof; FIG. 5 is a top plan view thereof; FIG. 6 is a bottom plan view thereof; FIG. 7 is a perspective view thereof; FIG. 8 is a second perspective view thereof; and, FIG. 9 is a third perspective view thereof. The broken lines shown illustrate portions of the low-speed cutting machine that form no part of the claimed design.

1 Claim, 9 Drawing Sheets



(56)

References Cited

U.S. PATENT DOCUMENTS

D484,896 S * 1/2004 Coli D15/127
 D485,284 S * 1/2004 Coli D15/127
 D486,165 S * 2/2004 Wright D15/133
 D508,929 S * 8/2005 Wu D15/133
 D518,495 S * 4/2006 Firth D15/133
 D520,031 S * 5/2006 Wikle D15/133
 D520,033 S * 5/2006 Firth D15/133
 D523,038 S * 6/2006 Wright D15/133
 D531,195 S * 10/2006 Waldron D15/133
 D532,430 S * 11/2006 Firth D15/133
 D844,681 S * 4/2019 Aoki D15/133
 D856,384 S * 8/2019 Takahashi D15/133
 D860,272 S * 9/2019 Conley D15/133
 D865,012 S * 10/2019 Kawase D15/133
 10,792,666 B2 * 10/2020 Ryan A01D 42/005
 2005/0257656 A1 * 11/2005 Shibata B23D 45/044
 83/471.3
 2007/0221026 A1 * 9/2007 Parks B27B 27/08
 83/397
 2010/0116111 A1 * 5/2010 Rybka B27B 27/08
 83/446

2012/0167738 A1 * 7/2012 Lawlor B27B 27/10
 83/471.3
 2014/0208915 A1 * 7/2014 He B27B 5/165
 83/471.3
 2019/0232398 A1 * 8/2019 Lin B23D 45/044
 2019/0232520 A1 * 8/2019 Chang B27B 5/208
 2019/0240858 A1 * 8/2019 Torres B25H 1/14
 2020/0016792 A1 * 1/2020 Chang B28D 1/047
 2020/0122352 A1 * 4/2020 Jessop B23D 57/0092
 2020/0246802 A1 * 8/2020 Maynard B02C 18/148
 2020/0254544 A1 * 8/2020 Frank B23D 59/001
 2020/0269460 A1 * 8/2020 Sterling B27D 5/006
 2020/0316700 A1 * 10/2020 Elliston B23D 61/021

OTHER PUBLICATIONS

CS 23-355 SET (690855000) Przecinarki Do Metalu, Tin-Eye date
 Jun. 3, 2017 [Online], [Site Visited Oct. 29, 2020] Available From
 Internet, URL: <<https://www.metabo.com/pl/pl/maszyny/ciecie-szlifowanie-frezowanie-obrobka-metalu/przecinarki-do-metalu/cs-23-355-set-690855000-przecinarki-do-metalu.html>> (Year: 2017).*

* cited by examiner

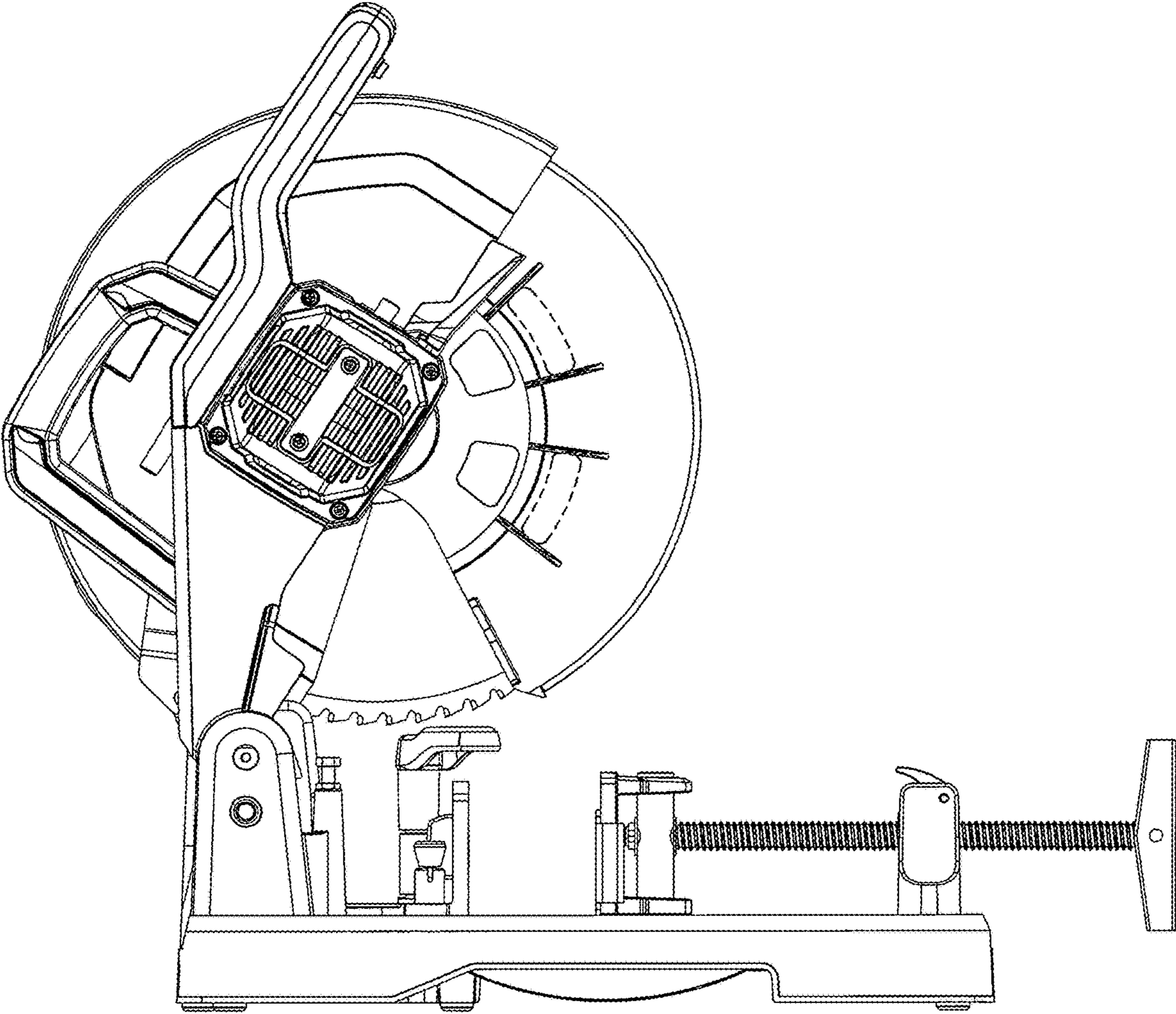


FIG. 1

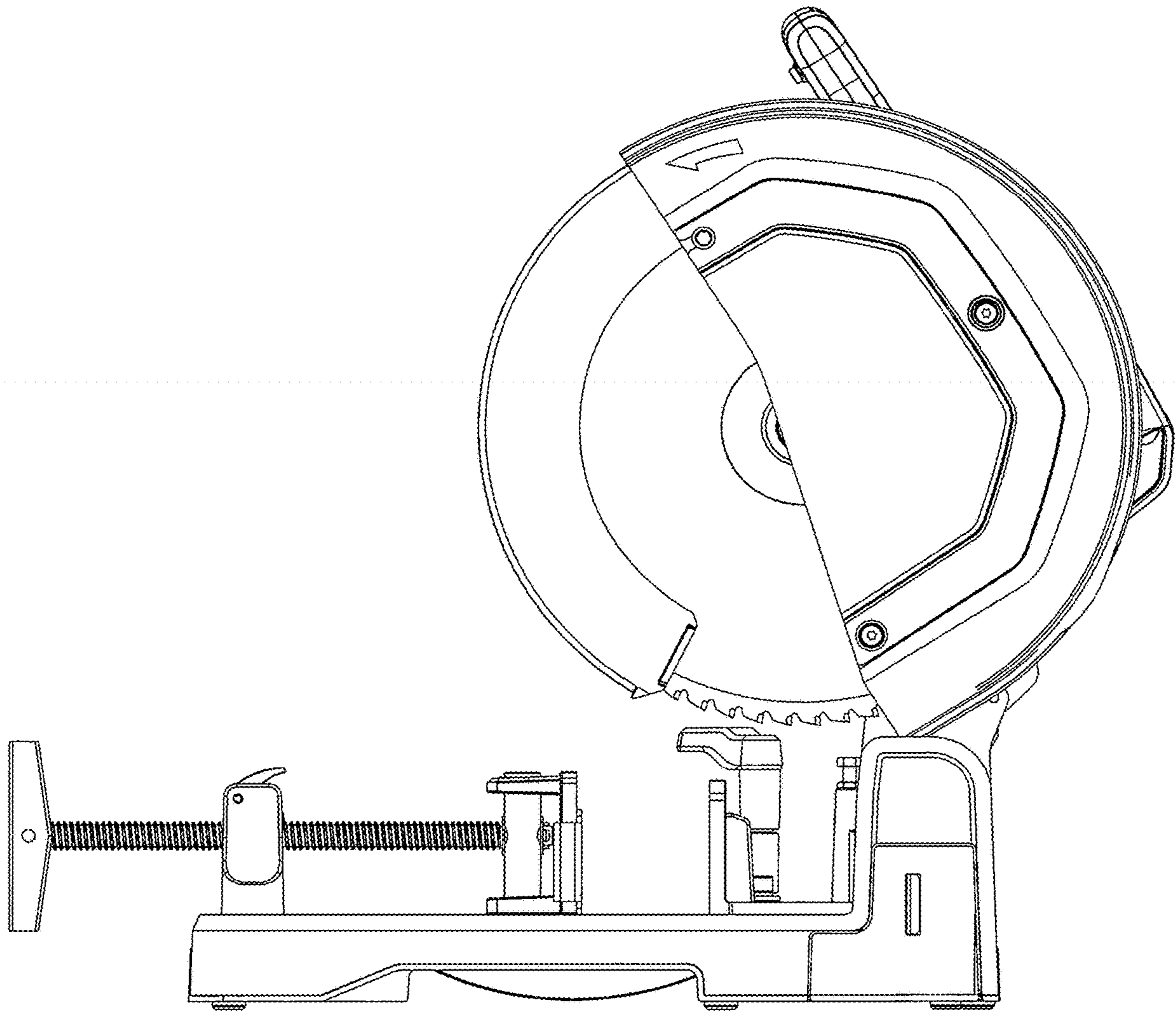


FIG. 2

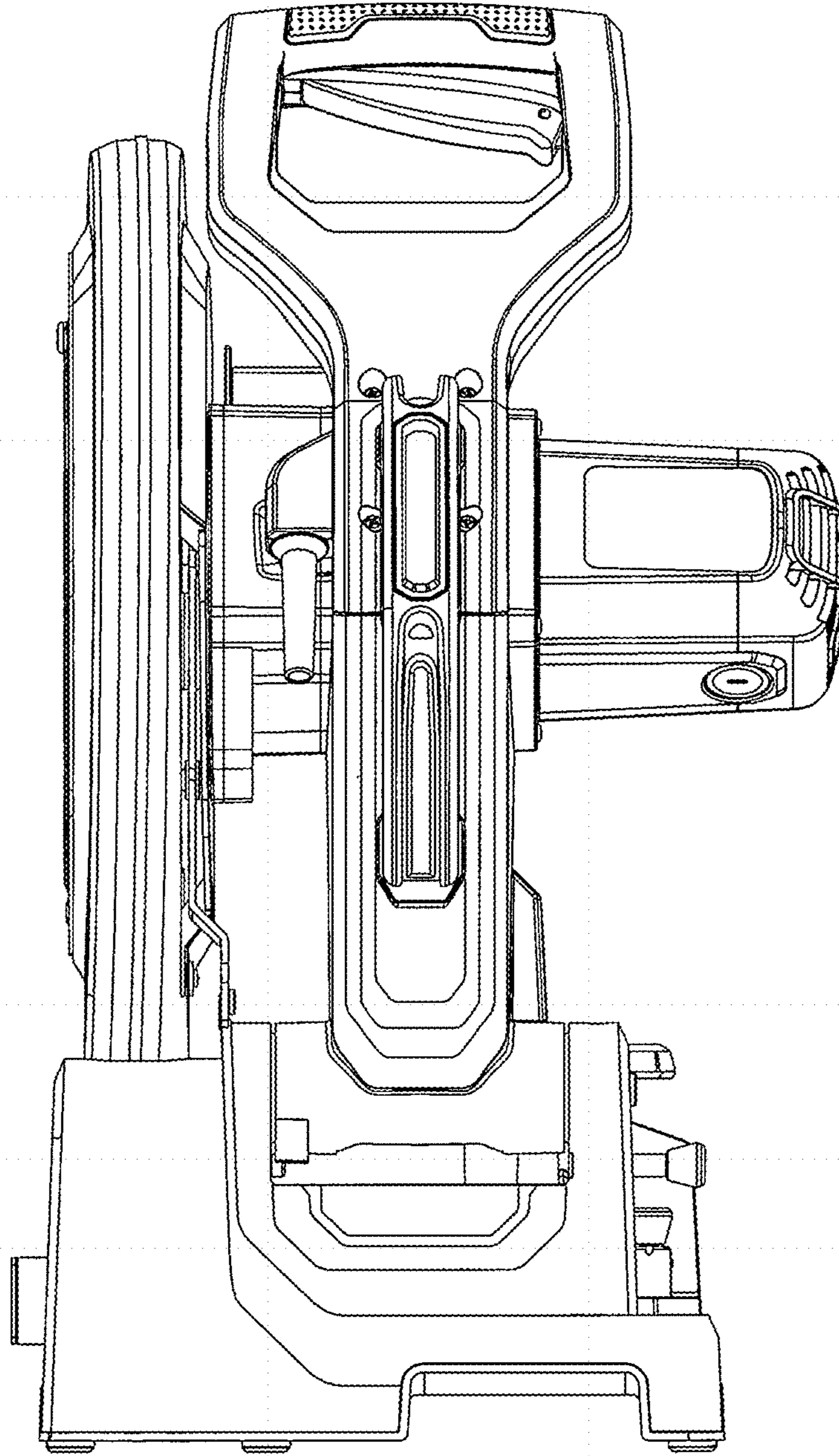


FIG. 3

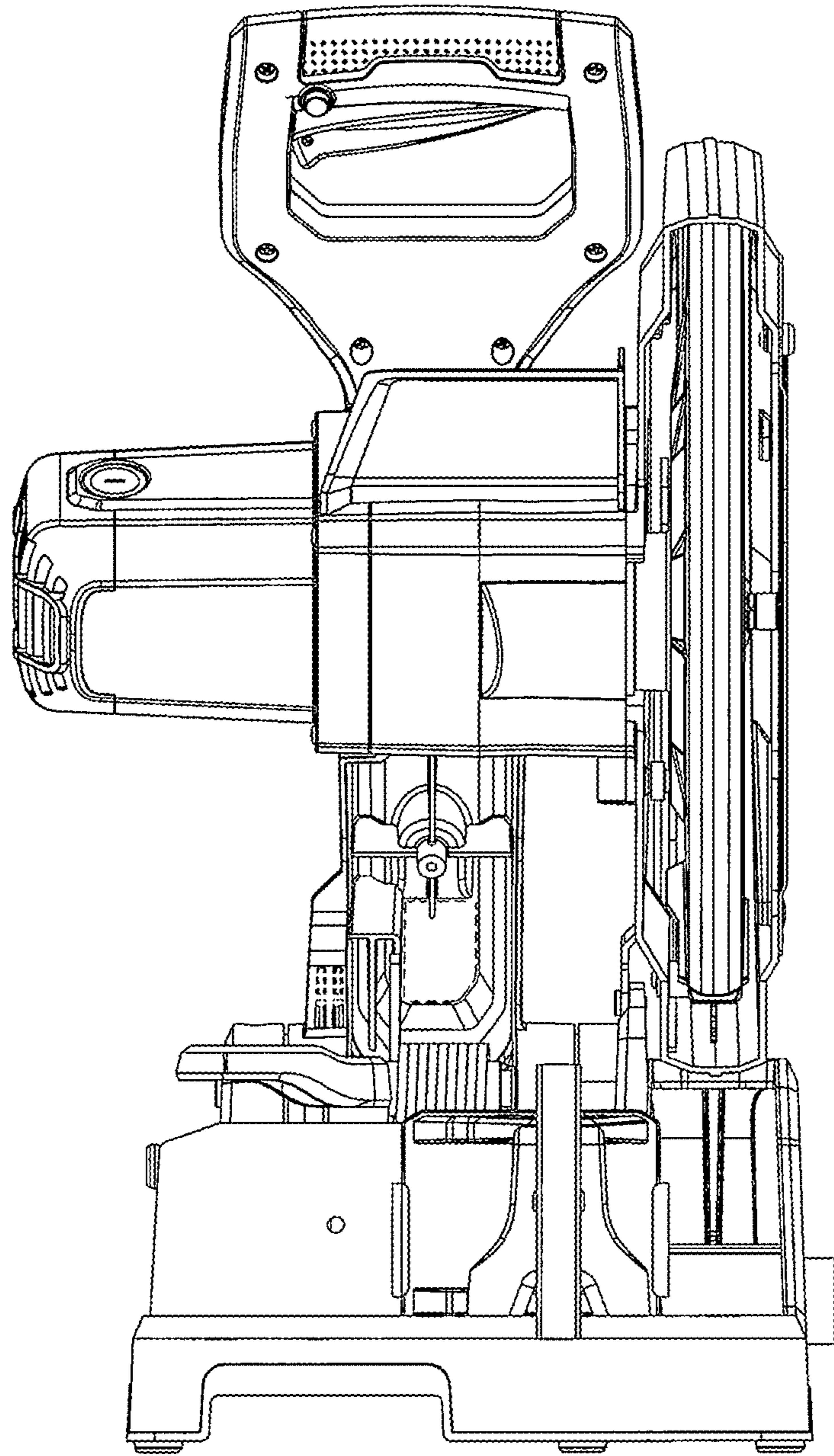


FIG. 4

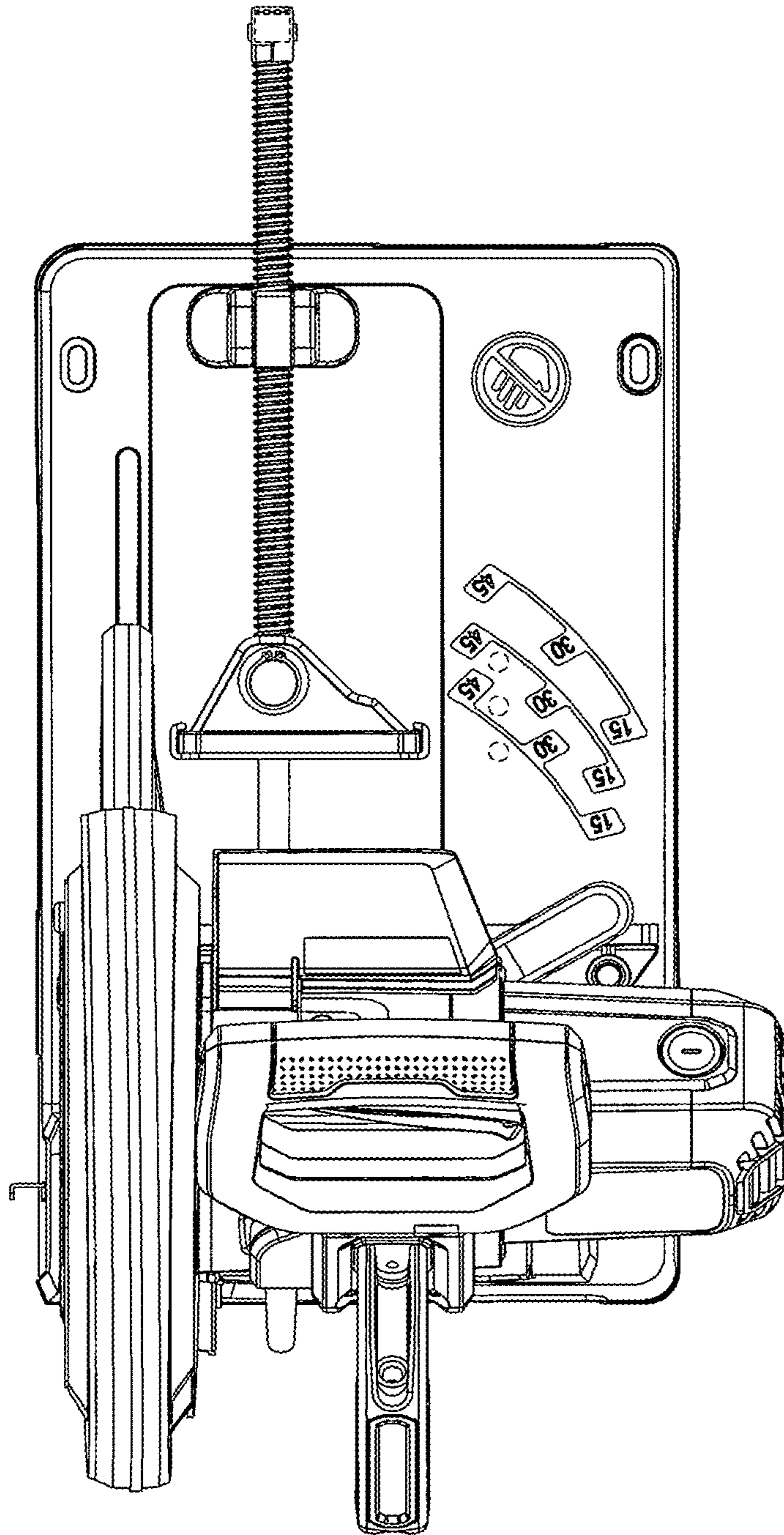


FIG. 5

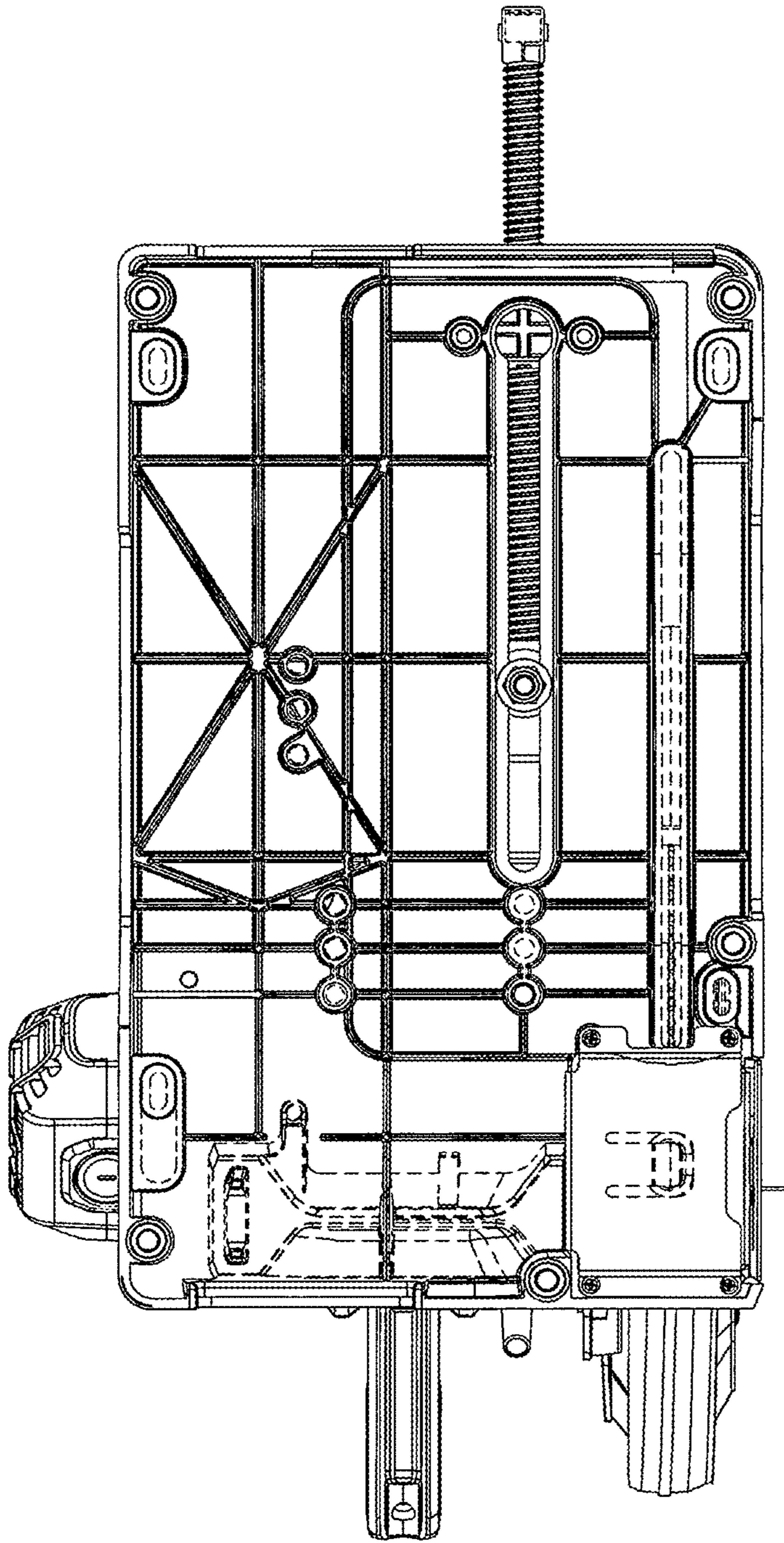


FIG. 6

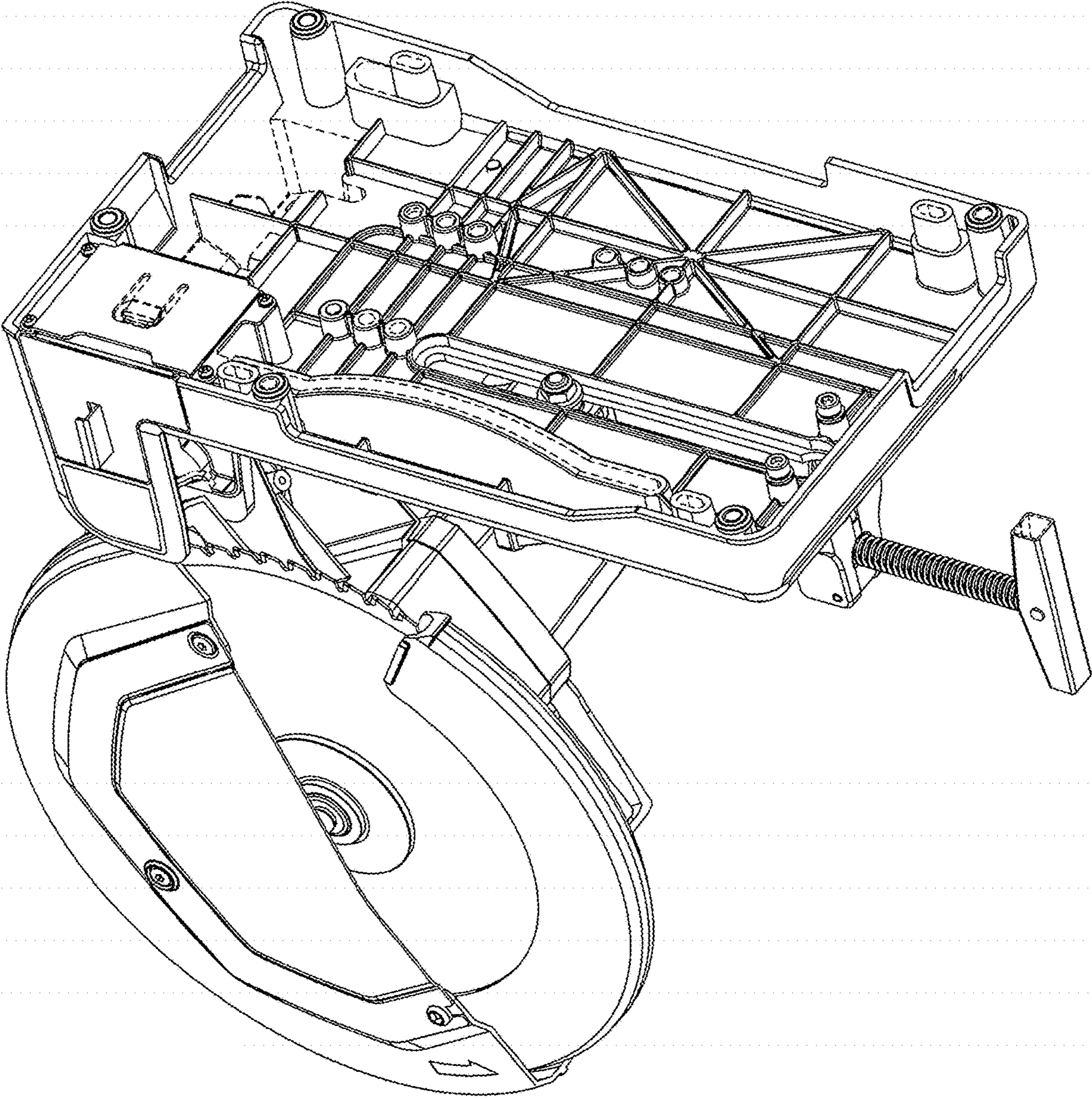


FIG. 7

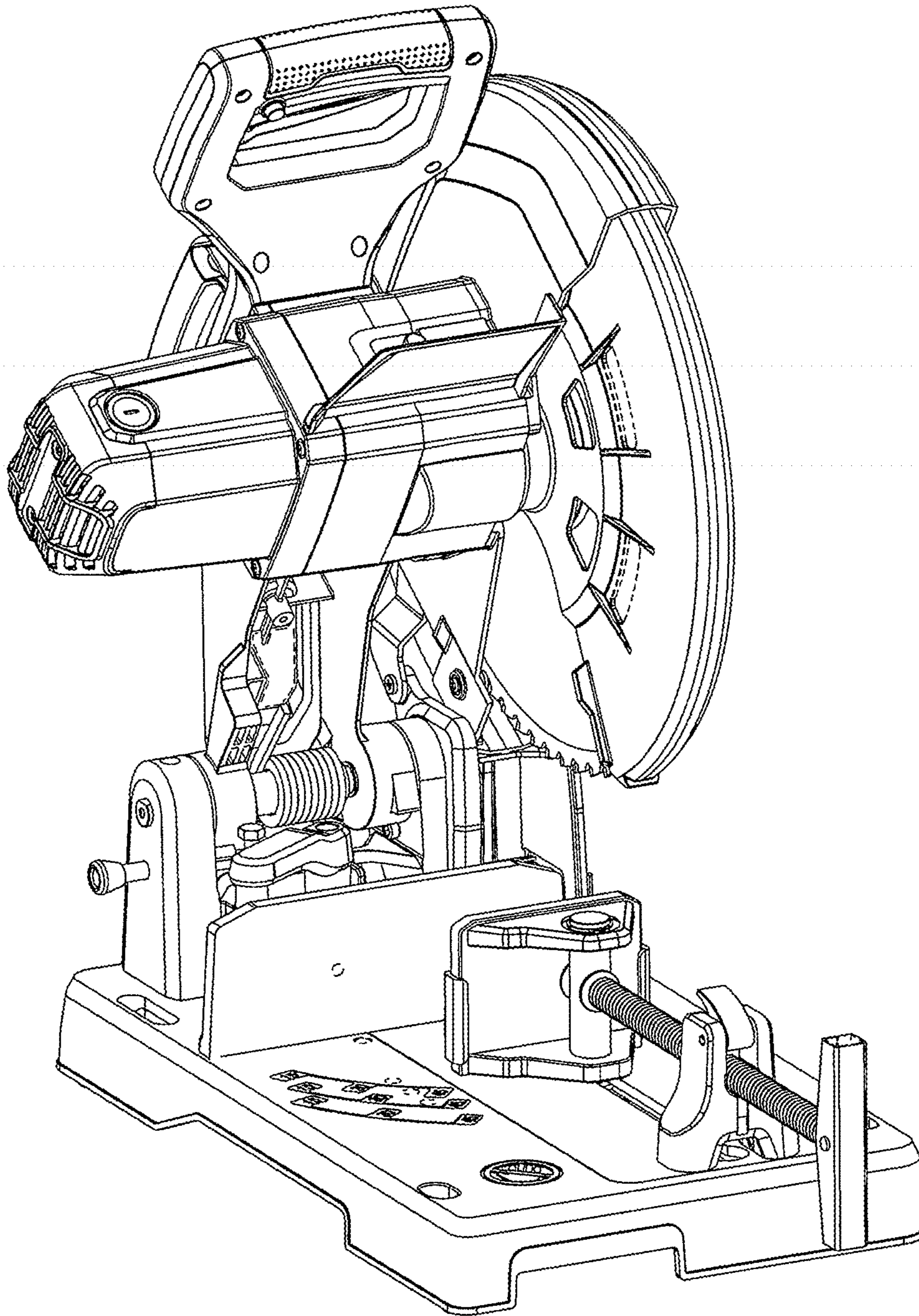


FIG. 8

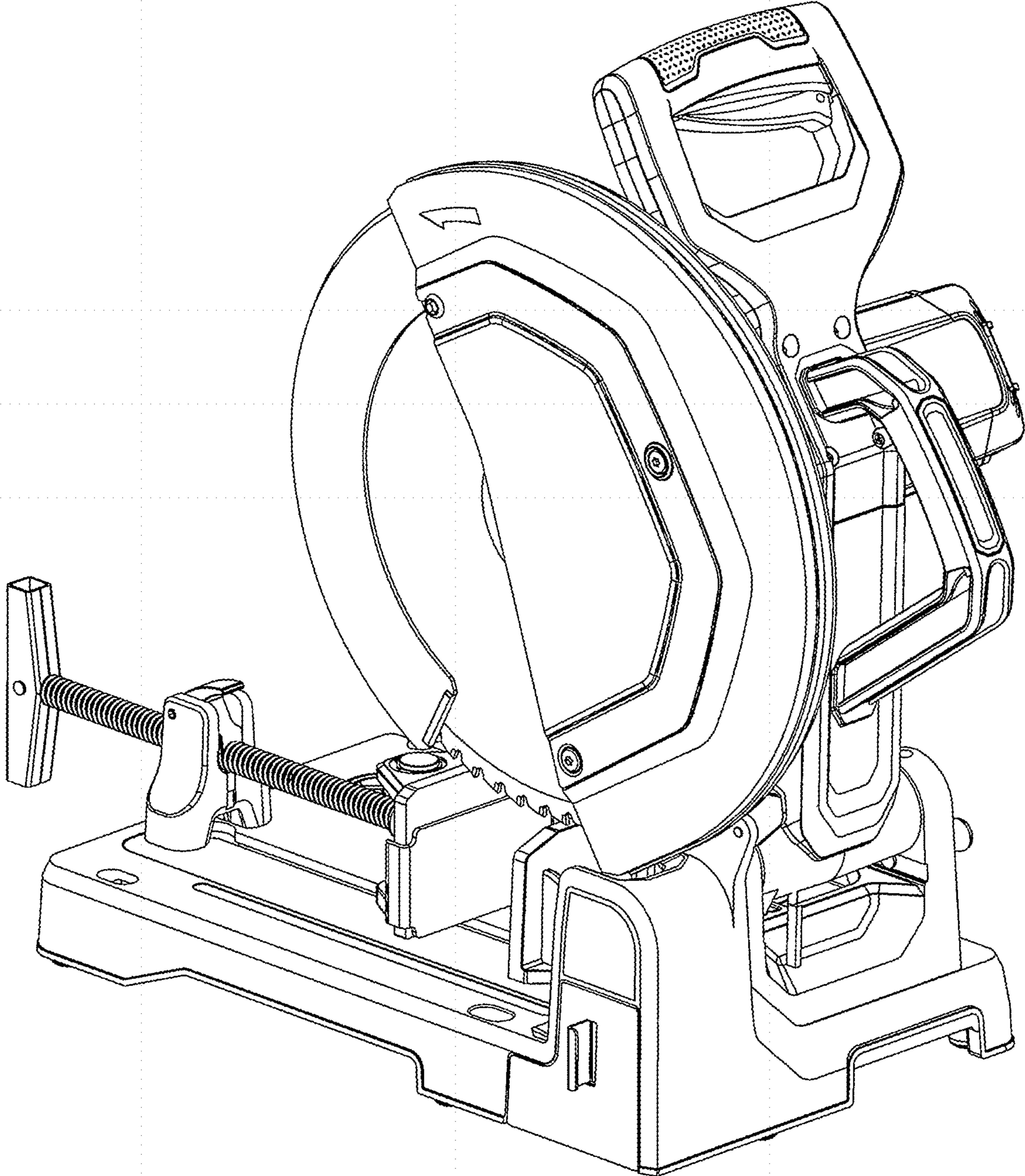


FIG. 9