



US00D921073S

(12) **United States Design Patent** (10) **Patent No.:** **US D921,073 S**
Turner et al. (45) **Date of Patent:** **** Jun. 1, 2021**

(54) **MITRE SAW**

(56) **References Cited**

(71) Applicant: **Evolution Power Tools Limited,**
Sheffield (GB)

U.S. PATENT DOCUMENTS

(72) Inventors: **Laurence Turner,** Sheffield (GB);
Simon Donson, Sheffield (GB)

D394,071 S *	5/1998	Ceroll	D15/133
D510,048 S *	9/2005	Wright	D15/133
D523,038 S *	6/2006	Wright	D15/133
D571,829 S *	6/2008	Welsh	D15/133
D602,053 S *	10/2009	Heflin	D15/133
D611,070 S *	3/2010	Firth	D15/133
D704,235 S *	5/2014	Liu	B27B 5/208
			D15/133
D719,469 S *	12/2014	Lane	D10/65
D865,012 S *	10/2019	Kawase	D15/133

(73) Assignee: **EVOLUTION POWER TOOLS LIMITED,** Sheffield (GB)

(**) Term: **15 Years**

* cited by examiner

(21) Appl. No.: **29/672,529**

Primary Examiner — Khawaja Anwar

(22) Filed: **Dec. 6, 2018**

(74) *Attorney, Agent, or Firm* — Ipro, PLLC

(30) **Foreign Application Priority Data**

(57) **CLAIM**

Aug. 2, 2018 (GB) 6040664

The ornamental design for a mitre saw, as shown and described.

(51) **LOC (13) Cl.** **15-03**

DESCRIPTION

(52) **U.S. Cl.**

USPC **D15/133**

(58) **Field of Classification Search**

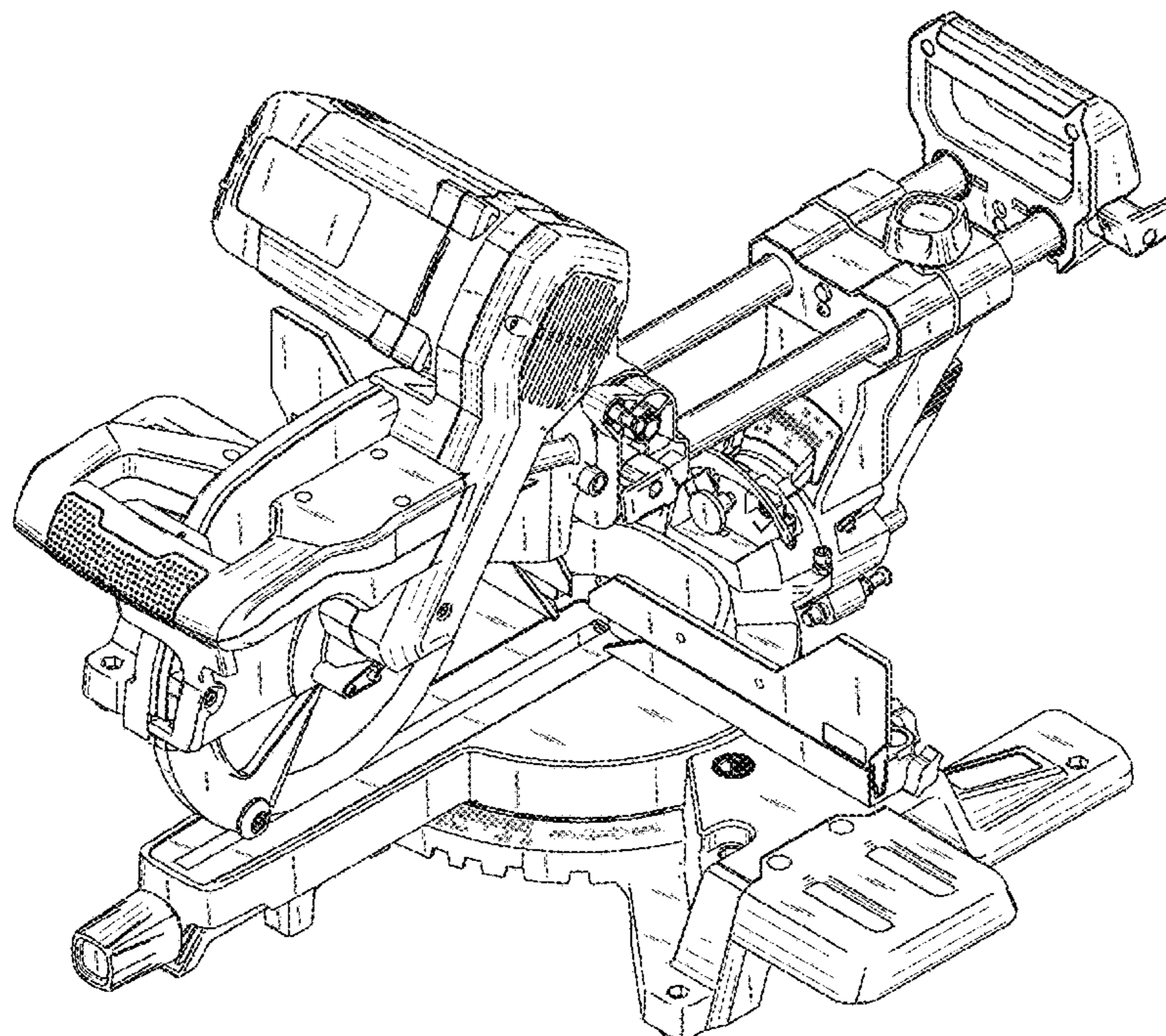
USPC D15/124-134, 138-143, 28, 29, 9, 17;
D8/8, 66, 70

CPC B23D 47/025; B23D 59/001; B23D 45/06;
B23D 45/068; B23D 45/062; B23D
47/02; B23D 59/006; B23D 45/044;
B23D 45/048; B23D 45/065; B23D
47/08; B23D 47/12; B23D 59/00; B23D
45/024; B23D 45/042; B23D 45/066;
B23D 45/14; B23D 45/146; B23D 45/16;
B23D 47/00; B23D 47/045; B23D 47/10;
B23D 47/123; B23D 57/0092; B23D
59/003

FIG. 1 is a perspective view of a mitre saw embodying the new design;
FIG. 2 is a front view thereof;
FIG. 3 is a side view thereof;
FIG. 4 is a back view thereof;
FIG. 5 is another side view thereof;
FIG. 6 is a top view thereof; and,
FIG. 7 is a bottom view thereof.
The evenly spaced broken lines shown in drawings show portions of the mitter saw that form no part of the claimed design.

See application file for complete search history.

1 Claim, 7 Drawing Sheets



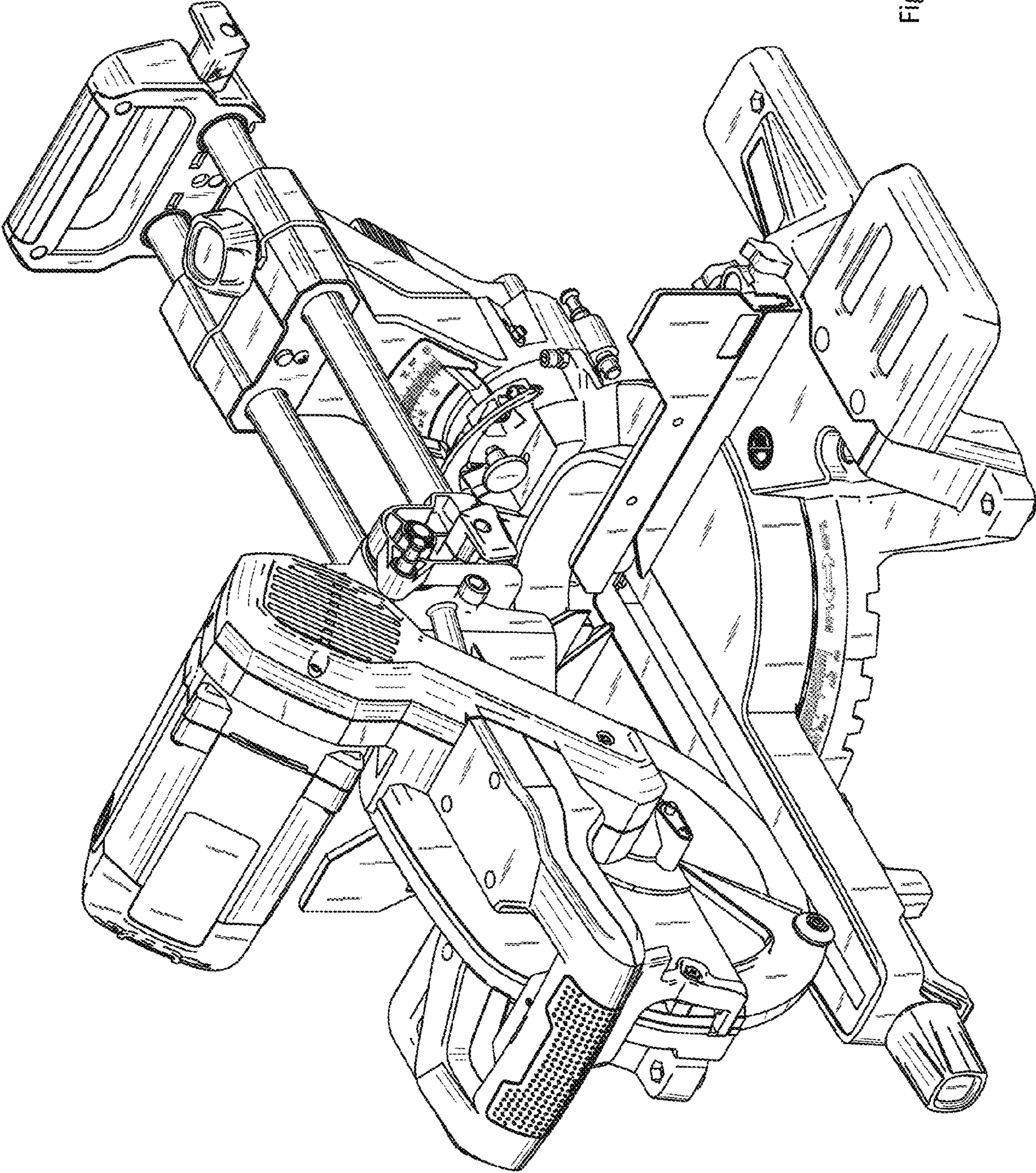


Fig. 1

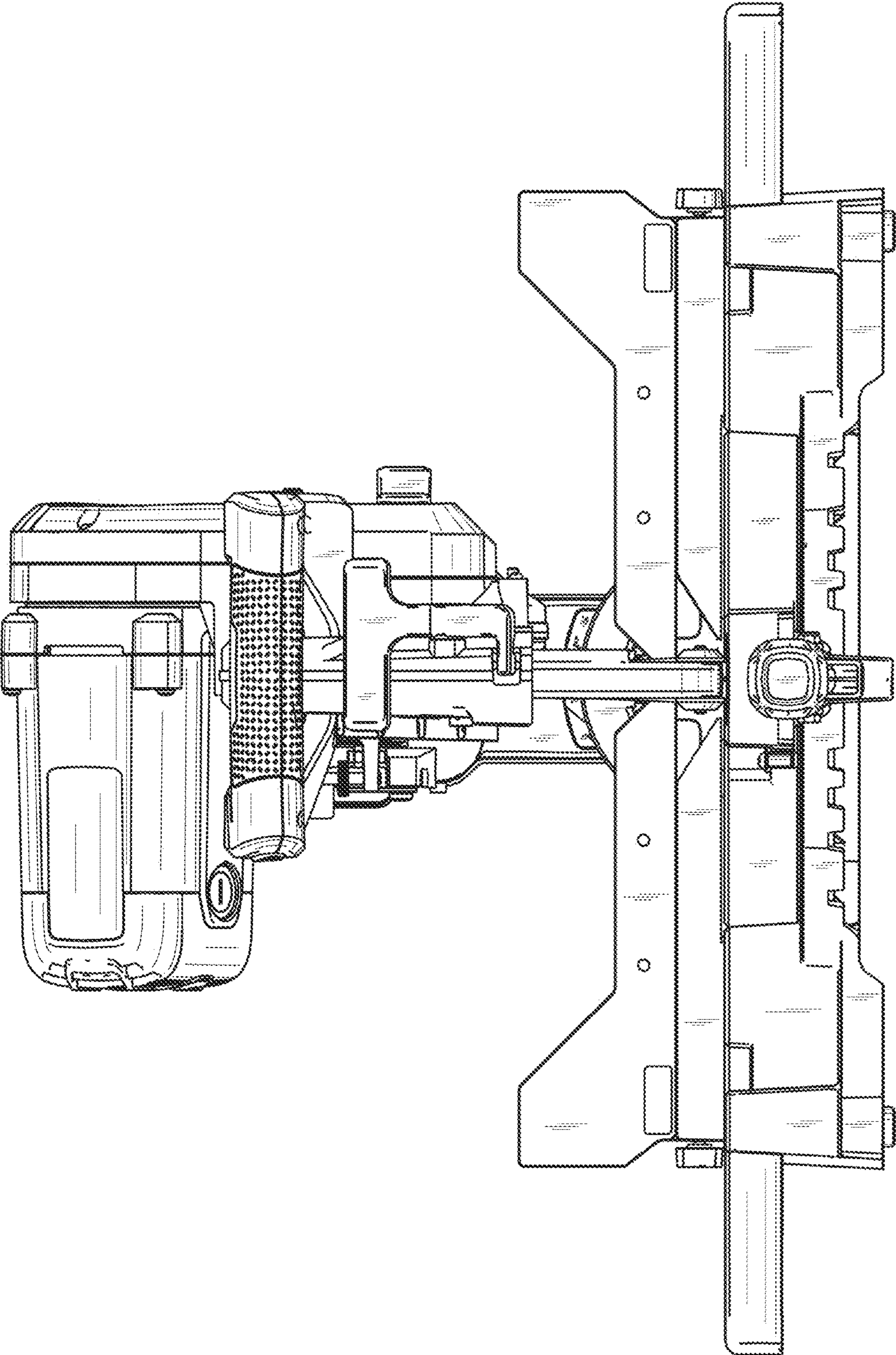


Fig. 2

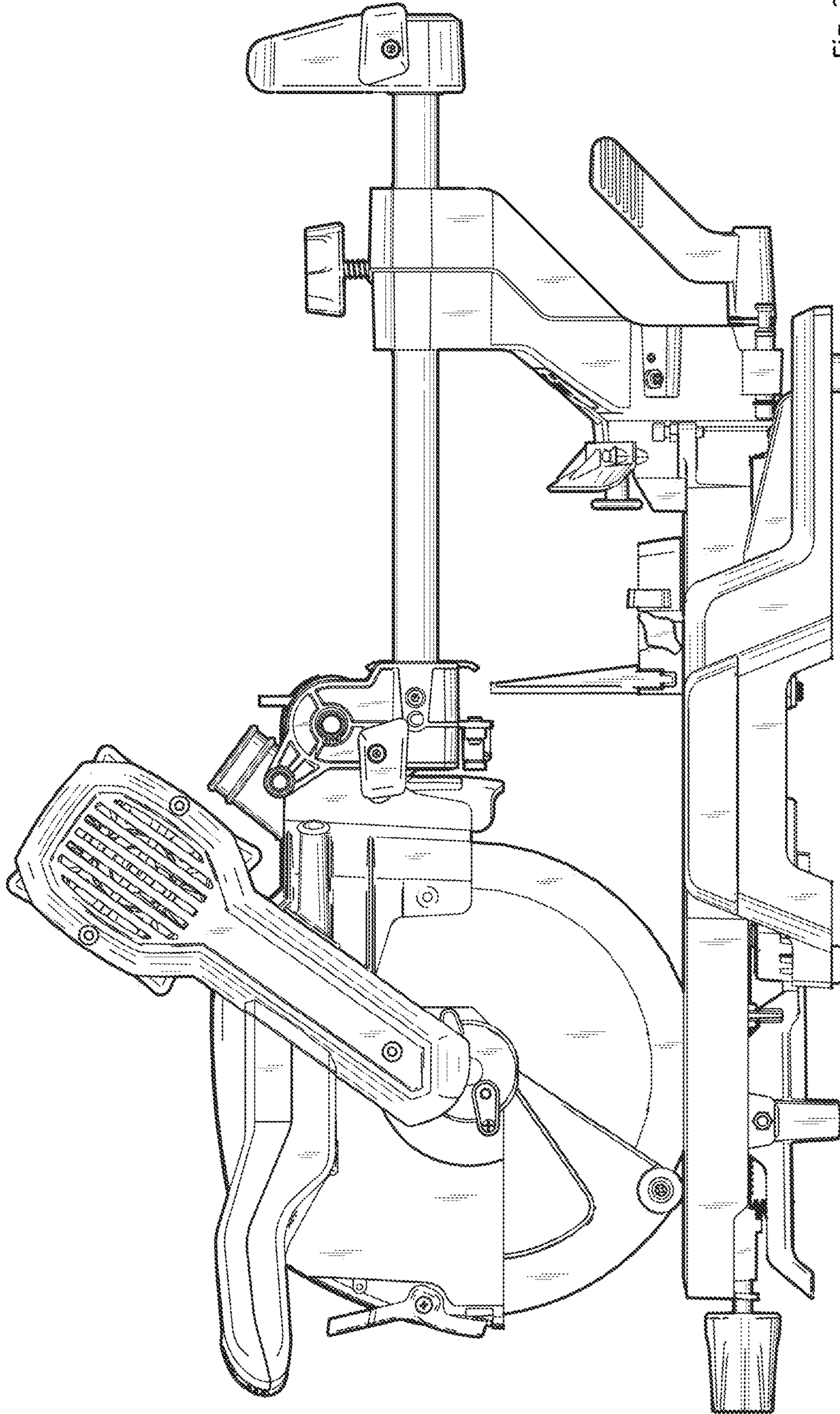


Fig. 3

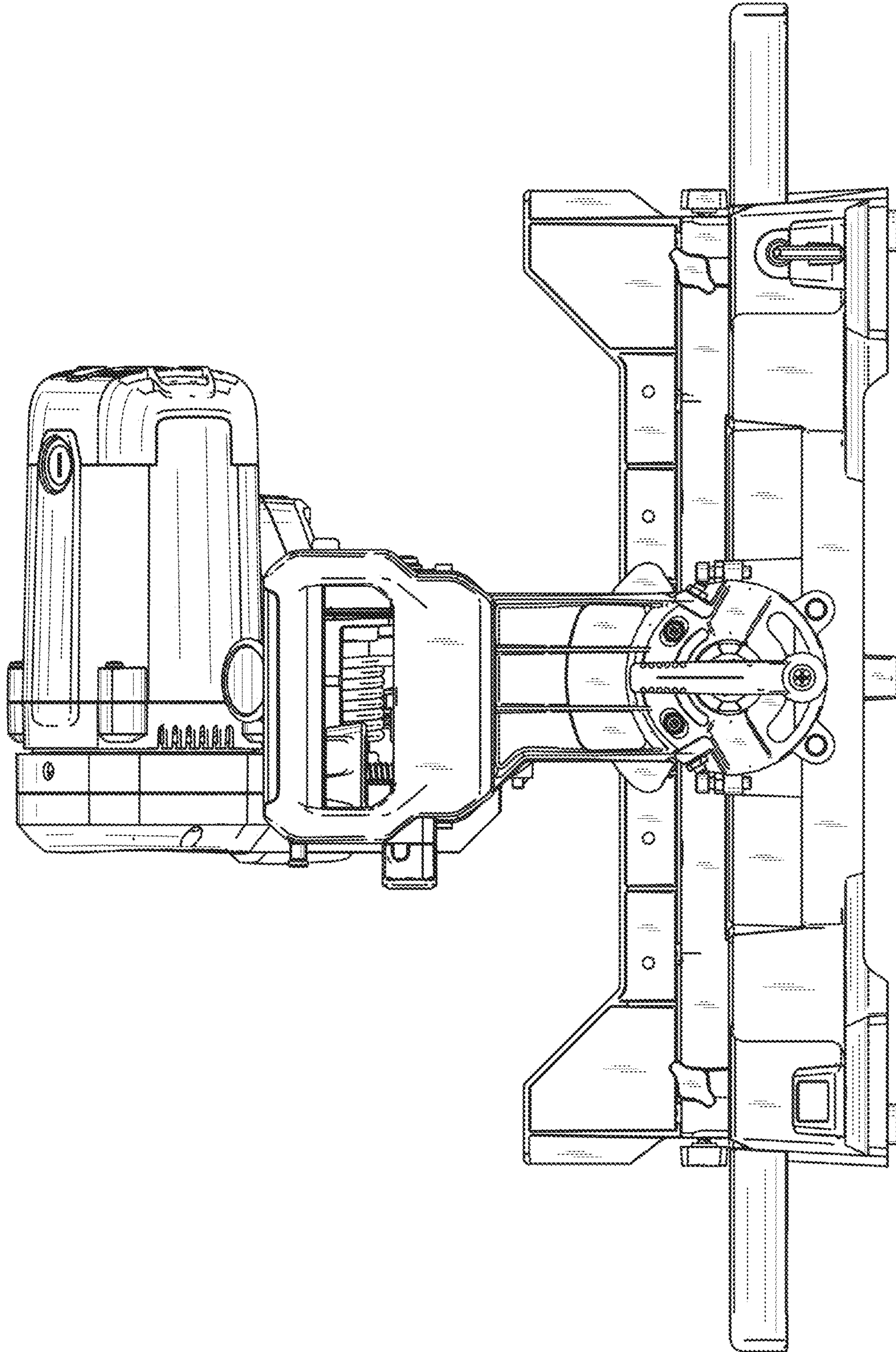


Fig. 4

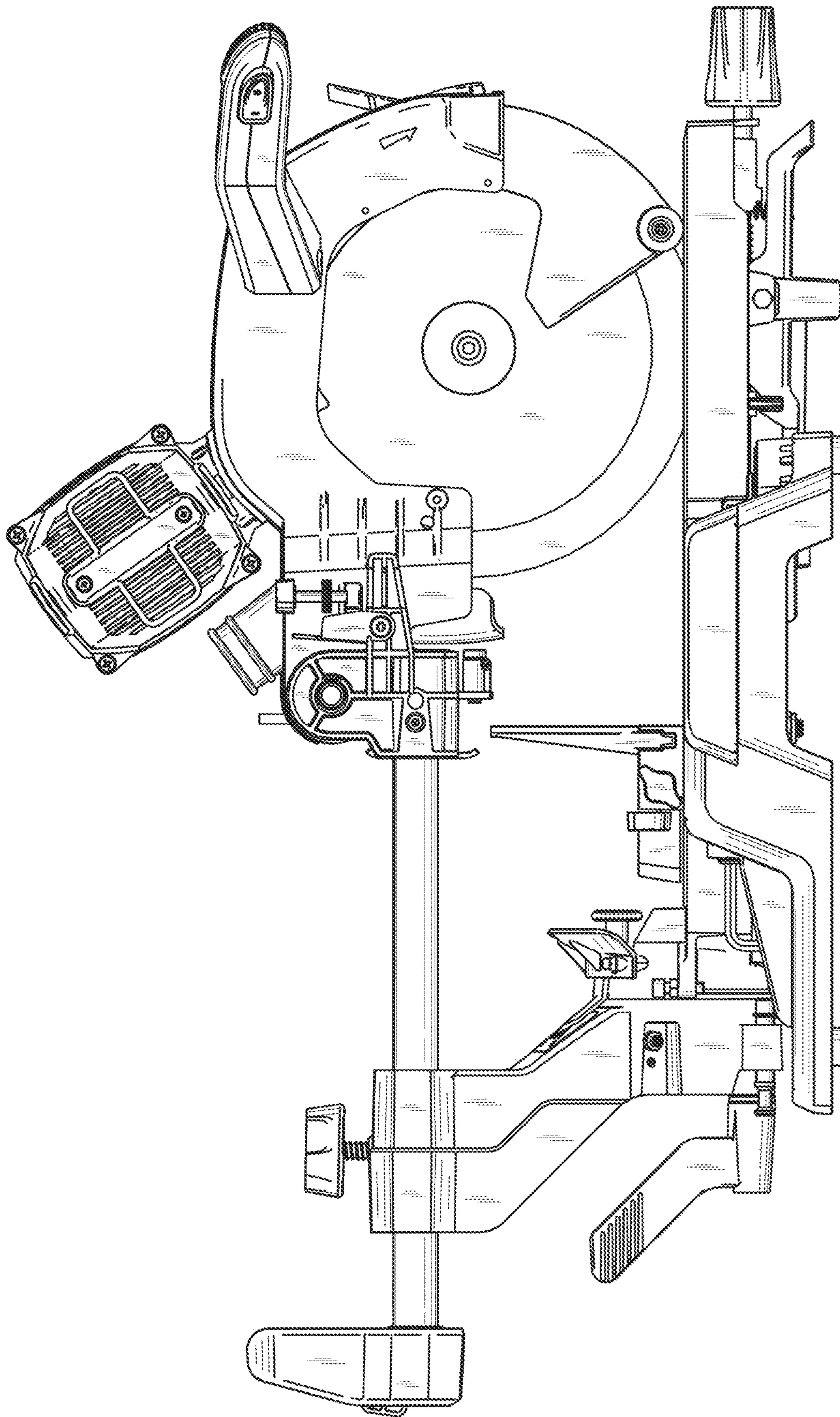


Fig. 5

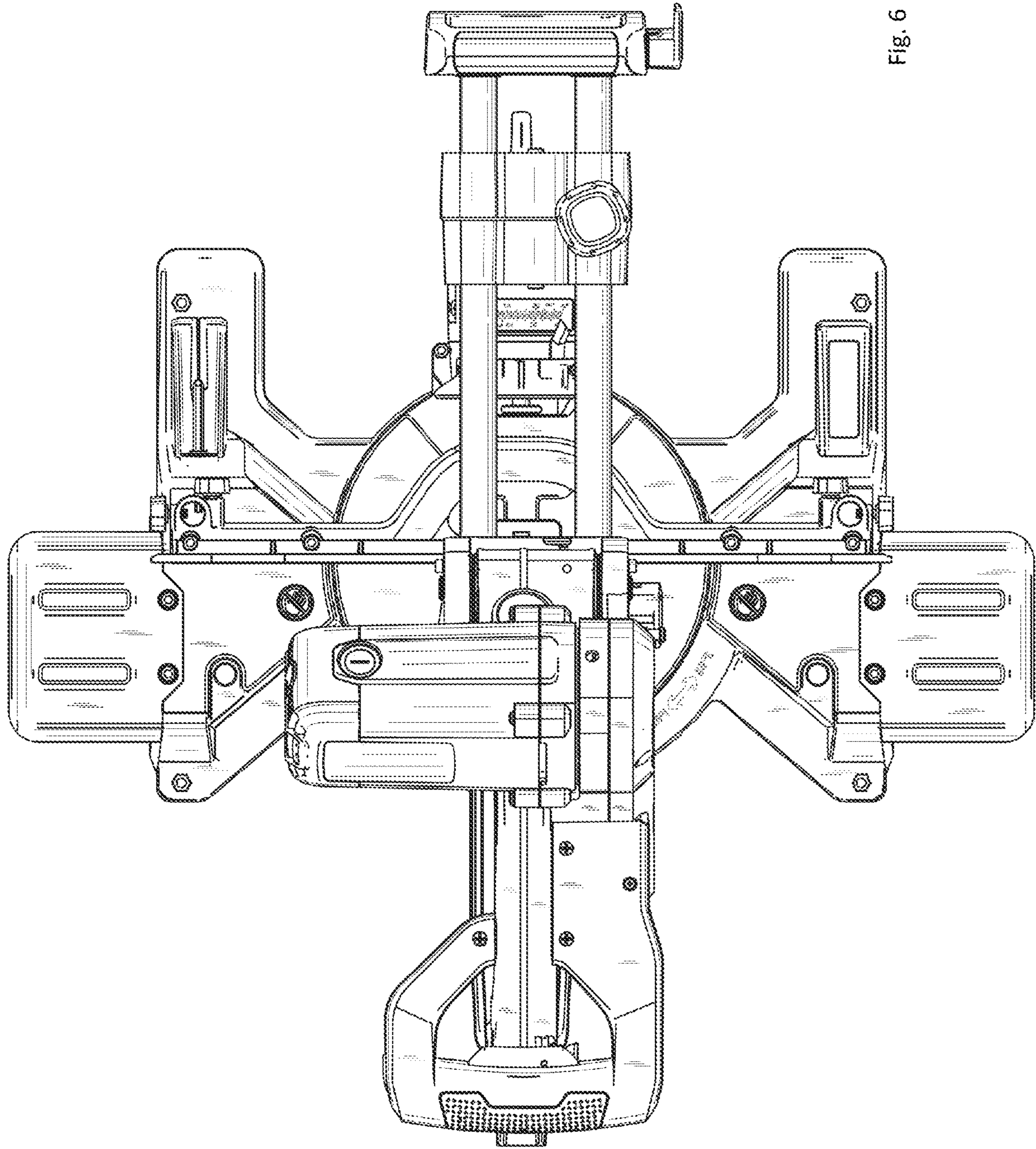


Fig. 6

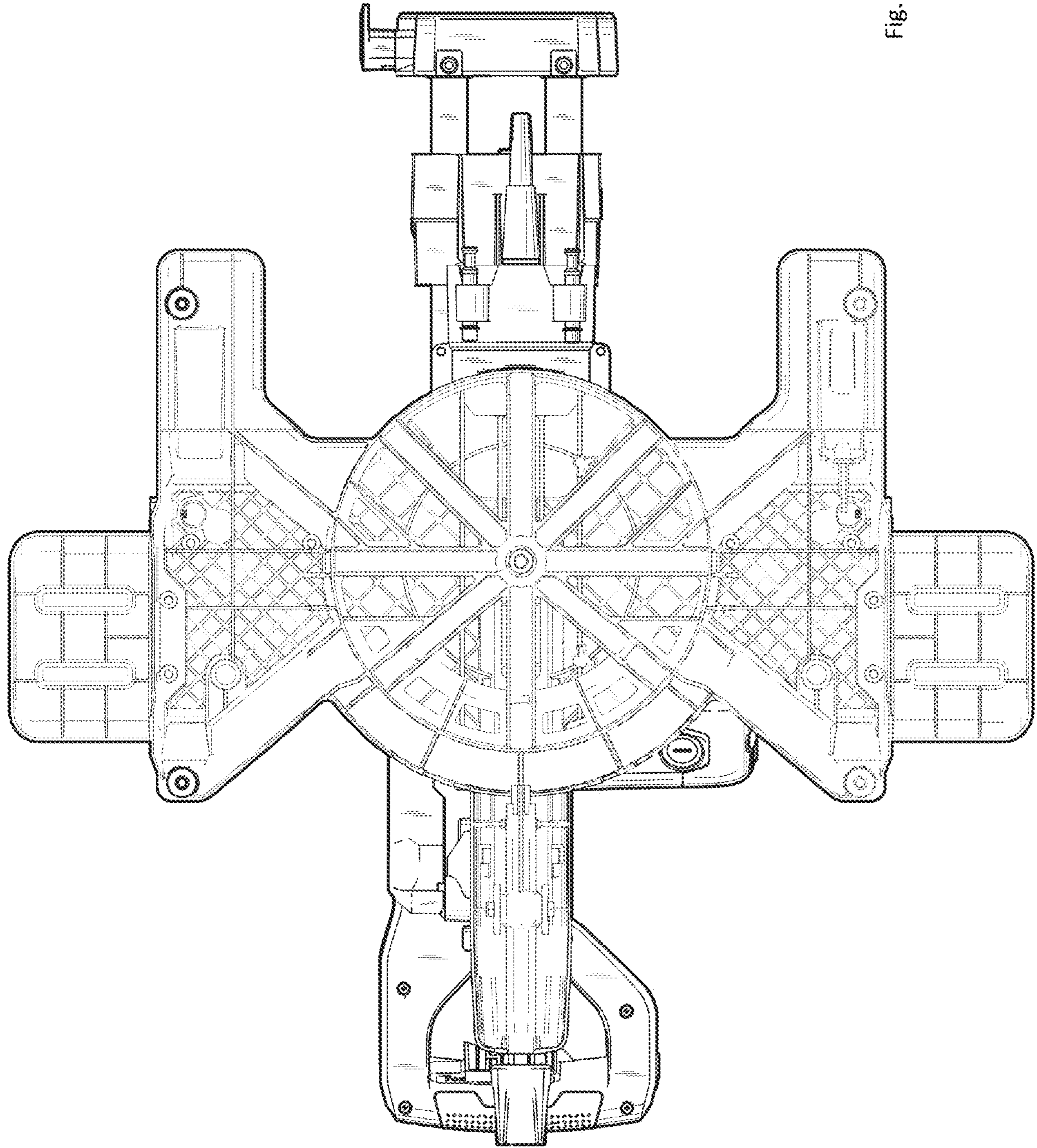


Fig. 7