



US00D921071S

(12) **United States Design Patent**
Park et al.

(10) **Patent No.:** **US D921,071 S**
(45) **Date of Patent:** **** Jun. 1, 2021**

(54) **HOUSING FOR LASER MACHINING CENTER**

(71) Applicant: **HK Co., Ltd**, Gyeonggi-do (KR)

(72) Inventors: **Man Sik Park**, Gyeonggi-do (KR);
Jung Hun Shin, Gyeonggi-do (KR)

(73) Assignee: **HK Co., Ltd.**, Gyeonggi-do (KR)

(**) Term: **15 Years**

(21) Appl. No.: **29/663,233**

(22) Filed: **Sep. 13, 2018**

(30) **Foreign Application Priority Data**

Mar. 26, 2018 (KR) 30-2018-0014201

(51) **LOC (13) Cl.** **15-09**

(52) **U.S. Cl.**
USPC **D15/127**

(58) **Field of Classification Search**
USPC D15/122, 127
CPC B23K 26/00; B23K 26/02; B23K 26/706
See application file for complete search history.

(56) **References Cited**

U.S. PATENT DOCUMENTS

- 4,659,902 A * 4/1987 Swensrud B23K 26/0823
219/121.74
- D332,615 S * 1/1993 Fang D15/122
- D419,573 S * 1/2000 Kawahara D15/122
- D464,363 S * 10/2002 Saito D15/122
- D578,144 S * 10/2008 Arisue D15/122
- D654,518 S * 2/2012 Miyake D15/122
- D659,174 S * 5/2012 Mueller D15/122
- D659,728 S * 5/2012 Mueller D15/122
- D664,570 S * 7/2012 Mueller D15/122
- D667,031 S * 9/2012 Mueller D15/122

- D683,771 S * 6/2013 Shimano D15/122
- D690,744 S * 10/2013 Koide D15/122
- D690,745 S * 10/2013 Koide D15/122
- D718,353 S * 11/2014 Kato D15/122
- D759,133 S * 6/2016 Kitamura D15/122
- D759,738 S * 6/2016 Schonherr D15/122
- D762,748 S * 8/2016 Schonherr D15/122
- D778,329 S * 2/2017 Grobe D15/122
- D781,357 S * 3/2017 Inaba D15/122
- D794,099 S * 8/2017 Gallo D15/122
- D797,822 S * 9/2017 Grobe D15/122
- D798,917 S * 10/2017 Gallo D15/122
- D816,129 S * 4/2018 Albrecht D15/122
- D816,741 S * 5/2018 Nicaise D15/122
- D841,701 S * 2/2019 Gallo D15/122
- D870,166 S * 12/2019 Gallo D15/127

(Continued)

Primary Examiner — Patricia A Palasik

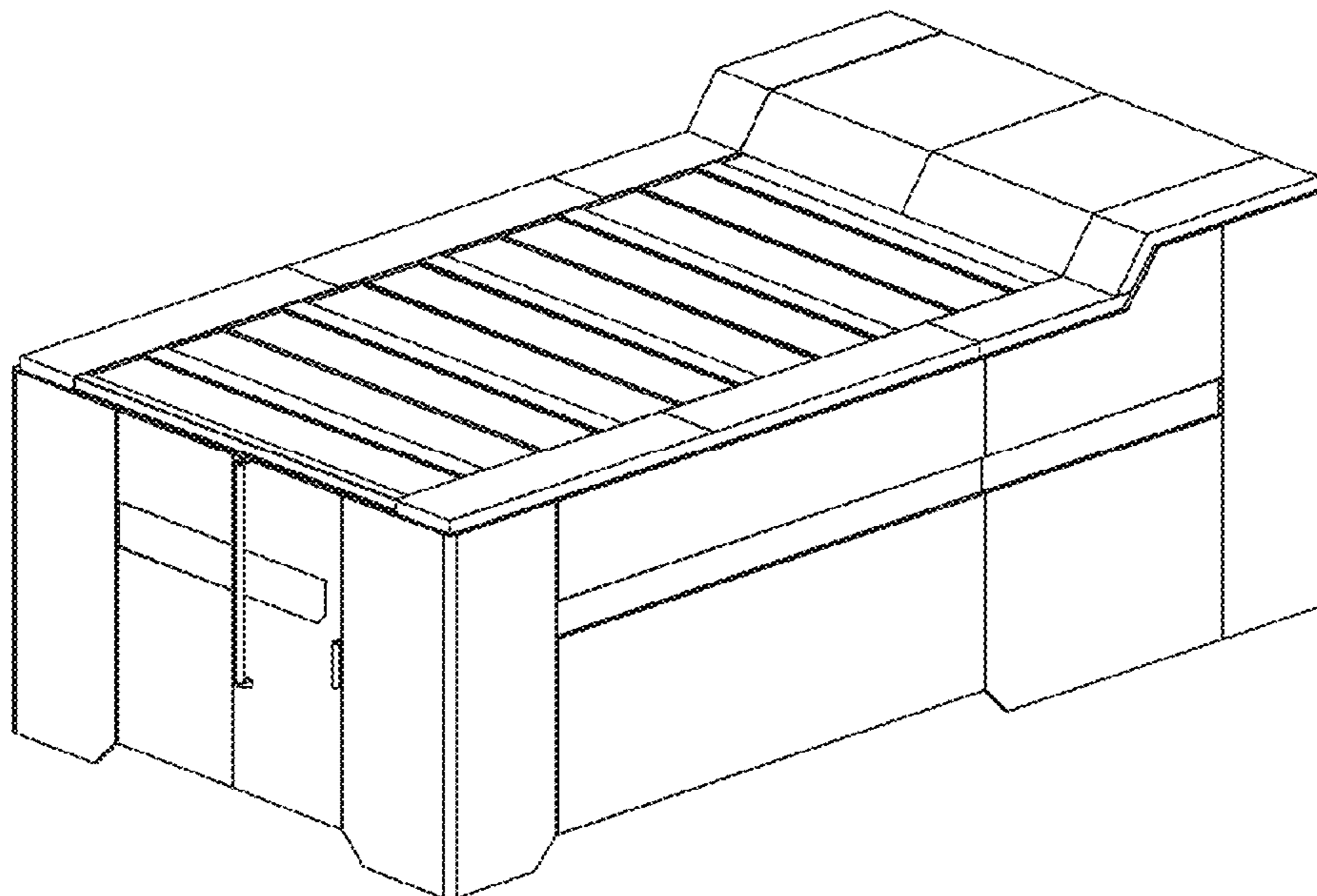
(57) **CLAIM**

The ornamental design for a housing for laser machining center, substantially as shown and described.

DESCRIPTION

FIG. 1 is a perspective view of housing for laser machining center in accordance with the design.
 FIG. 2 is a front view of housing for laser machining center in accordance with the design.
 FIG. 3 is a rear view of housing for laser machining center in accordance with the design.
 FIG. 4 is a left side view of housing for laser machining center in accordance with the design.
 FIG. 5 is a right side view of housing for laser machining center in accordance with the design; and,
 FIG. 6 is a top view of housing for laser machining center in accordance with the design.
 Any broken line showing environment structure is for illustrative purposes and forms no part of the claimed design.

1 Claim, 6 Drawing Sheets



(56)

References Cited

U.S. PATENT DOCUMENTS

2014/0371044 A1* 12/2014 Grassmel A24C 5/606
493/39
2015/0273641 A1* 10/2015 Mabee B23Q 7/035
219/121.86
2016/0228982 A1* 8/2016 Haji B23K 26/08
2017/0008127 A1* 1/2017 Hyatt B23K 26/0736
2017/0165788 A1* 6/2017 Maruyama B23K 26/127
2018/0200839 A1* 7/2018 Timmerman B23K 26/706
2018/0361522 A1* 12/2018 Fornasero B23Q 11/0891

* cited by examiner

Fig. 1

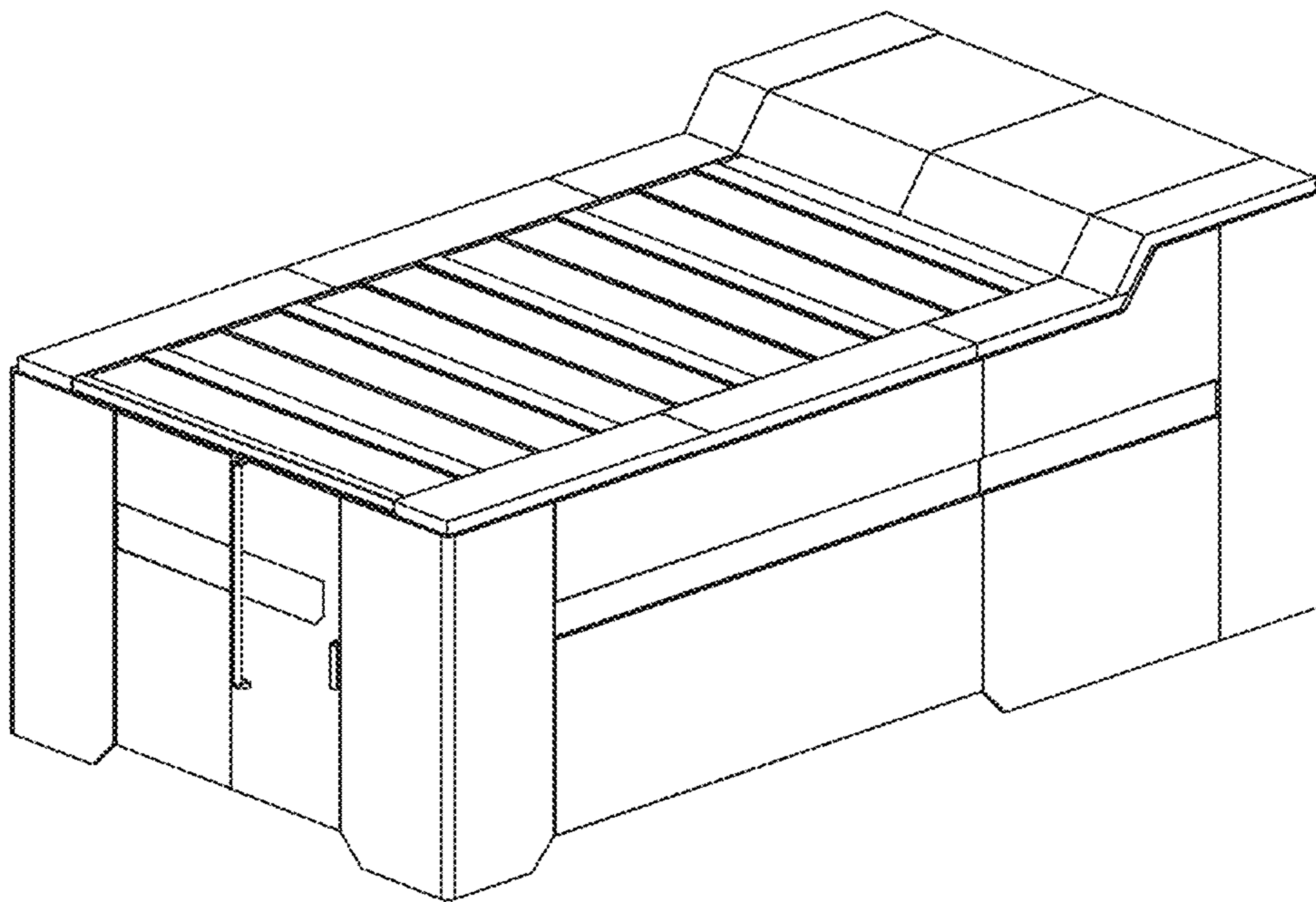


Fig. 2

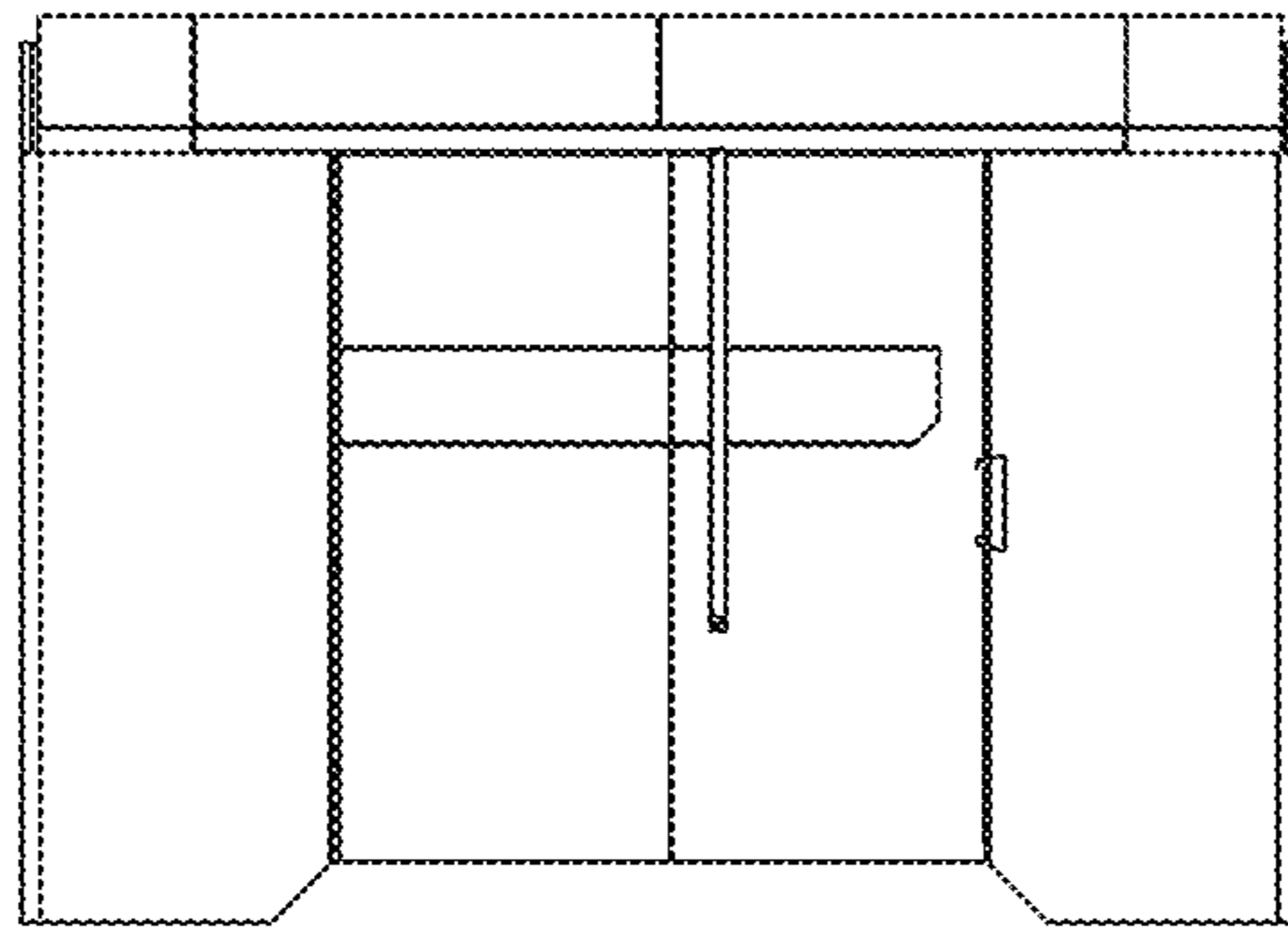


Fig. 3

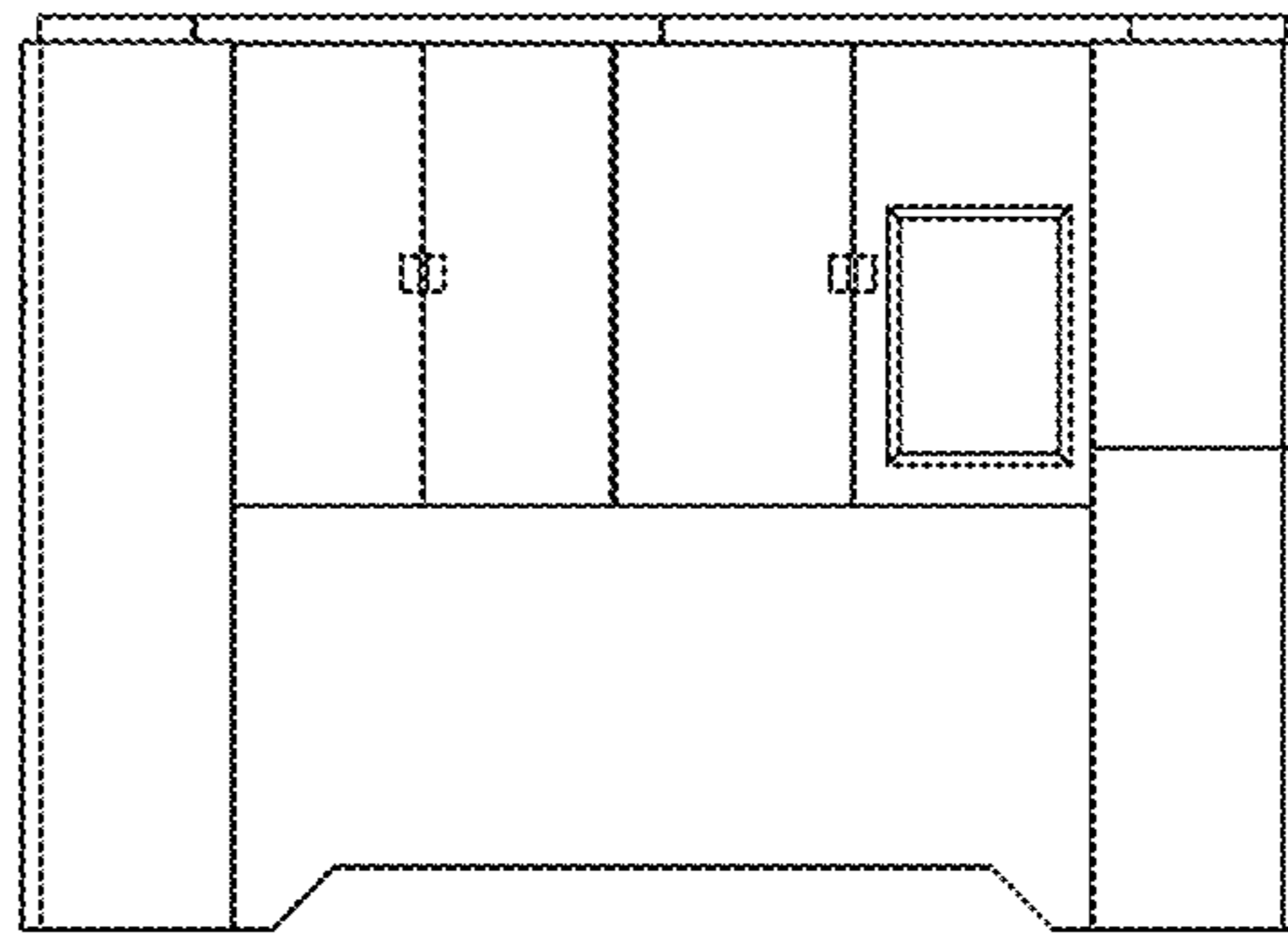


Fig. 4

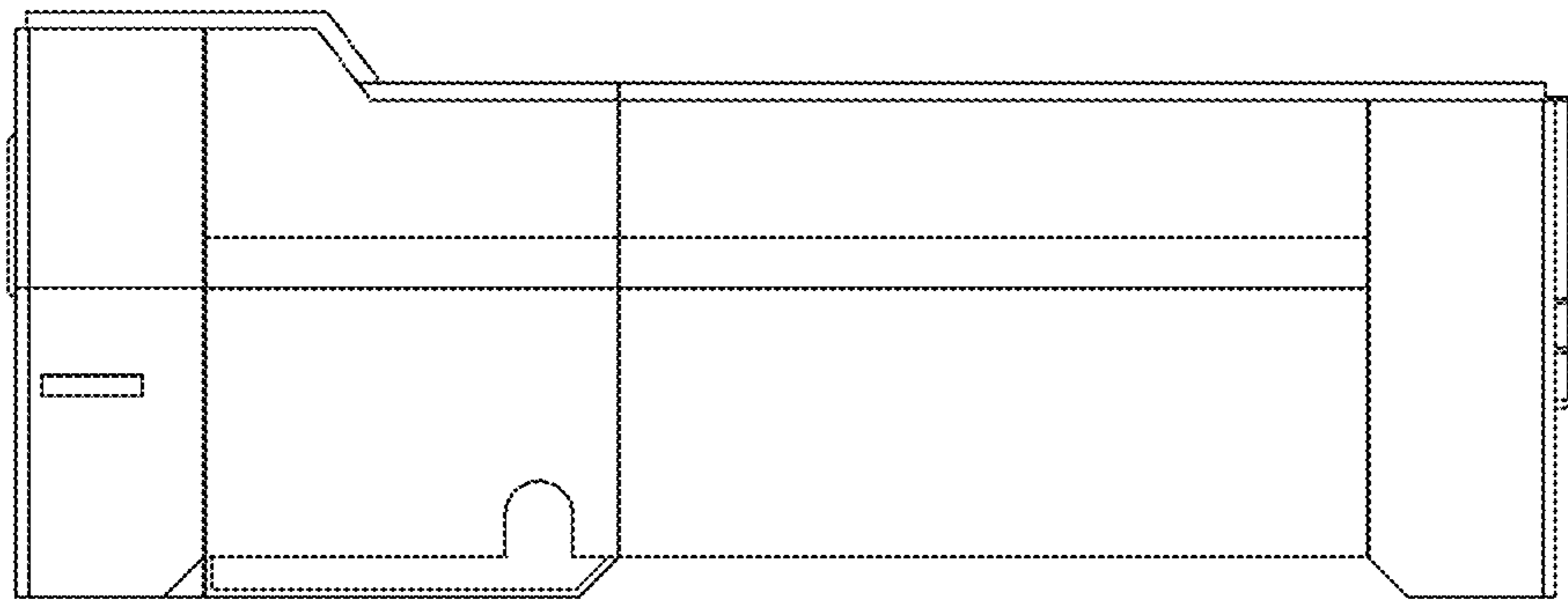


Fig. 5

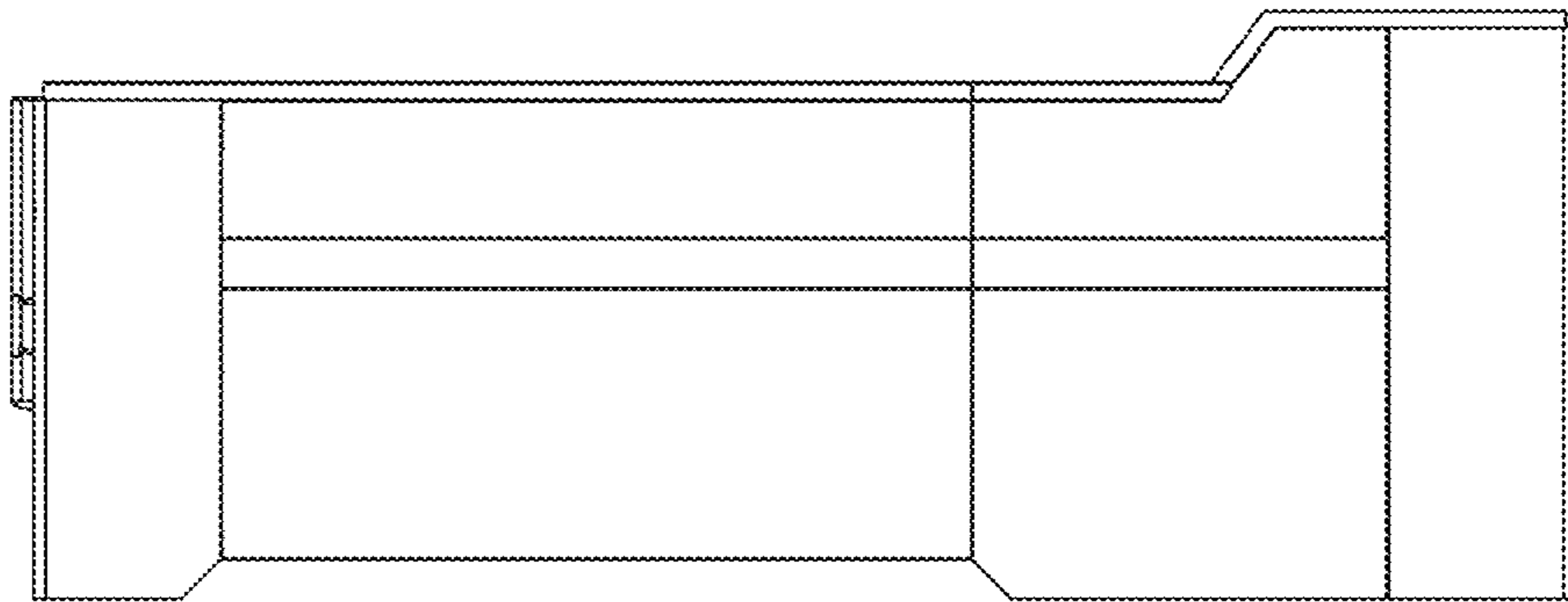


Fig. 6

