



US00D921069S

(12) **United States Design Patent**
Kape

(10) **Patent No.:** **US D921,069 S**

(45) **Date of Patent:** **** Jun. 1, 2021**

(54) **MACHINE FOR THE DEVELOPMENT AND PRODUCTION OF SOLID PHARMACEUTICAL PRODUCTS**

(71) Applicant: **Glatt GmbH**, Binzen (DE)

(72) Inventor: **Adrian Kape**, Binzen (DE)

(73) Assignee: **Glatt GmbH**, Binzen (DE)

(**) Term: **15 Years**

(21) Appl. No.: **35/507,752**

(22) Filed: **May 3, 2019**

(80) **Hague Agreement Data**

Int. Filing Date: **May 3, 2019**

Int. Reg. No.: **DM/203925**

Int. Reg. Date: **May 3, 2019**

Int. Reg. Pub. Date: **Nov. 15, 2019**

(51) **LOC (13) Cl.** **15-09**

(52) **U.S. Cl.**
USPC **D15/122; D15/145**
CPC **G07F 9/026 (2013.01)**

(58) **Field of Classification Search**
USPC D15/122, 145, 146; 53/52, 131.2, 154, 53/168, 237, 268; 221/2, 9, 83, 154, 125
CPC G06Q 20/206; G07F 9/026; G07F 11/16; G07F 17/0092; G07F 7/02; G07F 11/165; G07F 11/62; B65B 65/00; B65B 5/103; G16H 20/13; G07C 9/32; G07C 9/00912; E05B 47/00

See application file for complete search history.

(56) **References Cited**

U.S. PATENT DOCUMENTS

D300,326 S * 3/1989 Chilcoate D15/145
D337,539 S * 7/1993 Leamon D10/97
D348,101 S * 6/1994 Poli D24/108
D352,911 S * 11/1994 Yamamoto D10/46
D361,339 S * 8/1995 Emery D10/75

D377,183 S * 1/1997 Emery D15/199
D426,563 S * 6/2000 Yang D10/97
D447,073 S * 8/2001 Okamoto D10/97
6,508,279 B2 * 1/2003 Siegel B65B 5/103
141/2
D475,794 S * 6/2003 Ishigaki D24/220
D501,502 S * 2/2005 Scully D18/50
D517,438 S * 3/2006 Sato D10/97
7,185,476 B1 * 3/2007 Siegel B65B 5/103
53/443
D545,854 S * 7/2007 Sato D15/145
D562,369 S * 2/2008 Okamoto D15/145
D566,736 S * 4/2008 Okamoto D15/145
D567,273 S * 4/2008 Okamoto D15/145
7,451,583 B2 * 11/2008 Kim G06Q 20/206
53/154
D613,319 S * 4/2010 Okamoto D15/145
D620,964 S * 8/2010 Yuyama D15/145
D622,746 S * 8/2010 Daniels D15/145
D623,208 S * 9/2010 Parrish D15/145
D626,161 S * 10/2010 Torre D15/145
D626,981 S * 11/2010 Okamoto D15/145
D629,822 S * 12/2010 Torre D15/145
D633,929 S * 3/2011 Yuyama D15/145

(Continued)

Primary Examiner — Richard E Chilcot

(74) *Attorney, Agent, or Firm* — Young Basile Hanlon & MacFarlane, P.C.

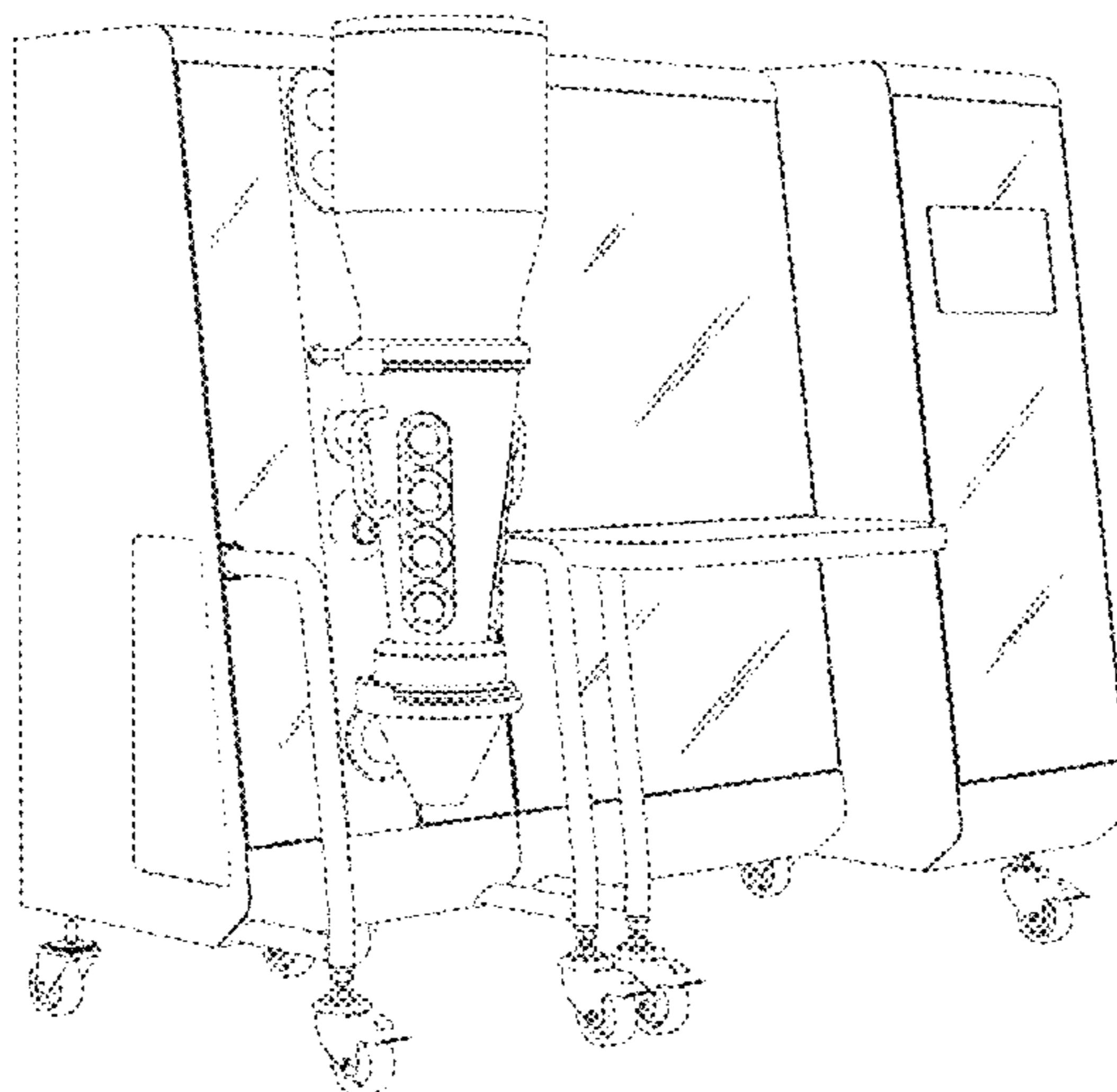
(57) **CLAIM**

The ornamental design for machine for the development and production of solid pharmaceutical products, as shown and described.

DESCRIPTION

2. Machine for the development and production of solid pharmaceutical products
2.1 : Perspective
2.2 : Front
2.3 : Back
2.4 : Right
2.5 : Left
2.6 : Perspective

1 Claim, 6 Drawing Sheets



(56)

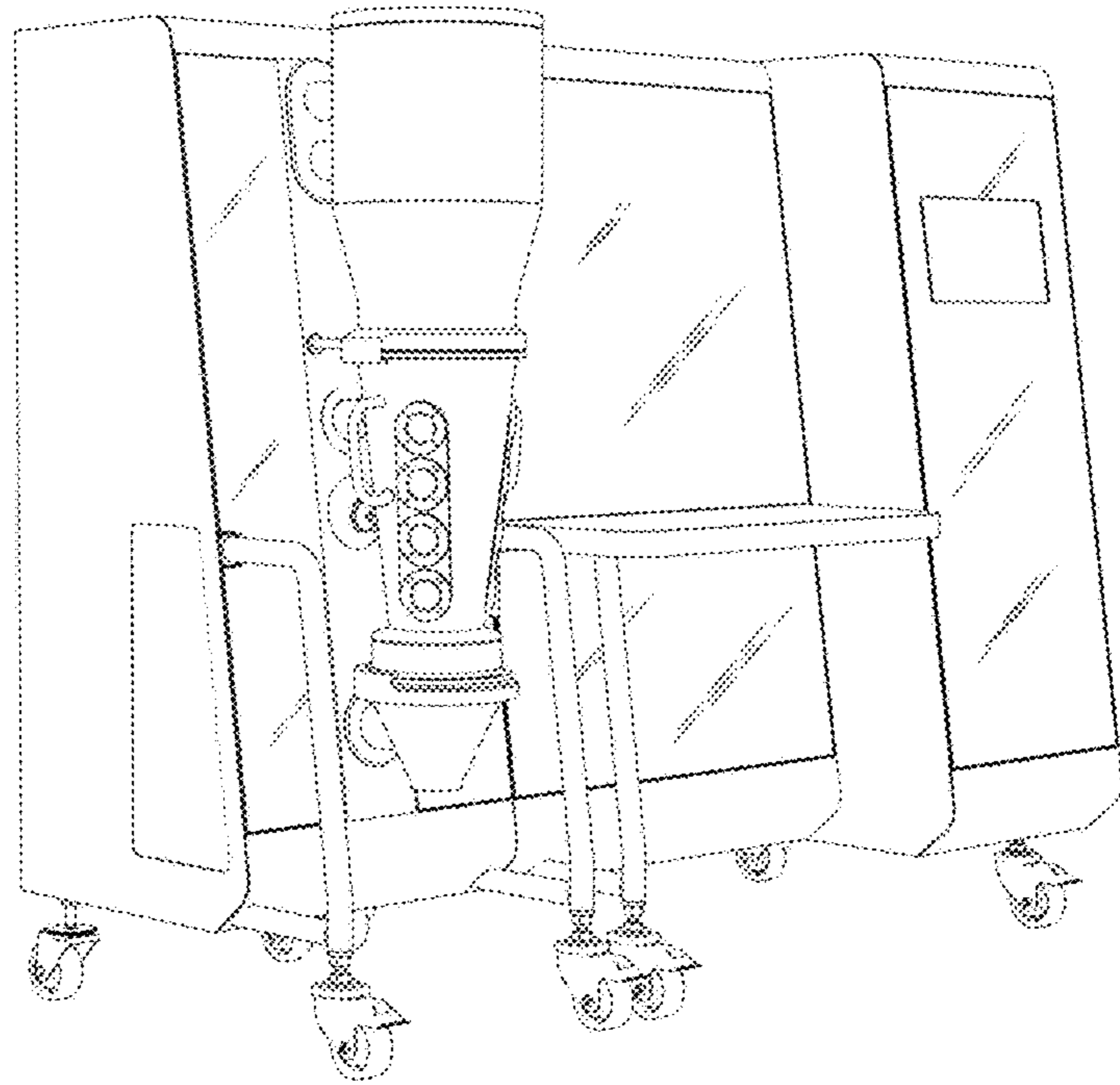
References Cited

U.S. PATENT DOCUMENTS

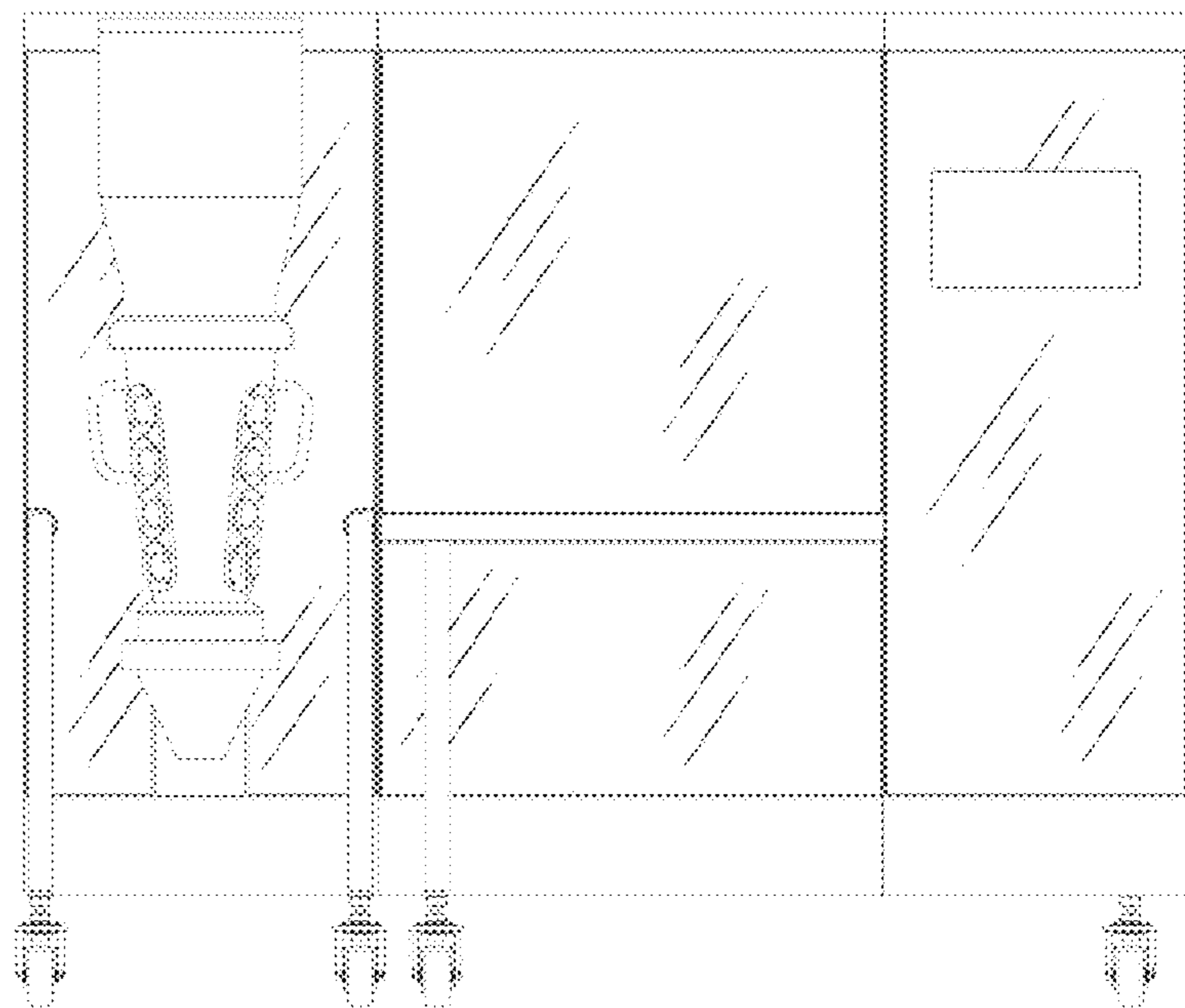
D639,322	S	*	6/2011	Daniels	D15/145
D643,077	S	*	8/2011	Olason	D21/696
D643,865	S	*	8/2011	Okamoto	D15/145
D662,953	S	*	7/2012	Parrish	D15/145
D662,954	S	*	7/2012	Parrish	D15/145
D662,955	S	*	7/2012	Daniels	D15/145
D664,171	S	*	7/2012	Gentry, Jr.	D15/145
D666,646	S	*	9/2012	Gentry, Jr.	D15/145
D667,035	S	*	9/2012	Rapp	D15/145
D671,971	S	*	12/2012	Okamoto	D15/145
D671,972	S	*	12/2012	Okamoto	D15/145
D671,973	S	*	12/2012	Okamoto	D15/145
D685,825	S	*	7/2013	Hoelbl	D15/122
D753,741	S	*	4/2016	Lee	D15/145
D866,795	S	*	11/2019	Sakai	D24/232
D878,625	S	*	3/2020	Sakai	D24/232

* cited by examiner

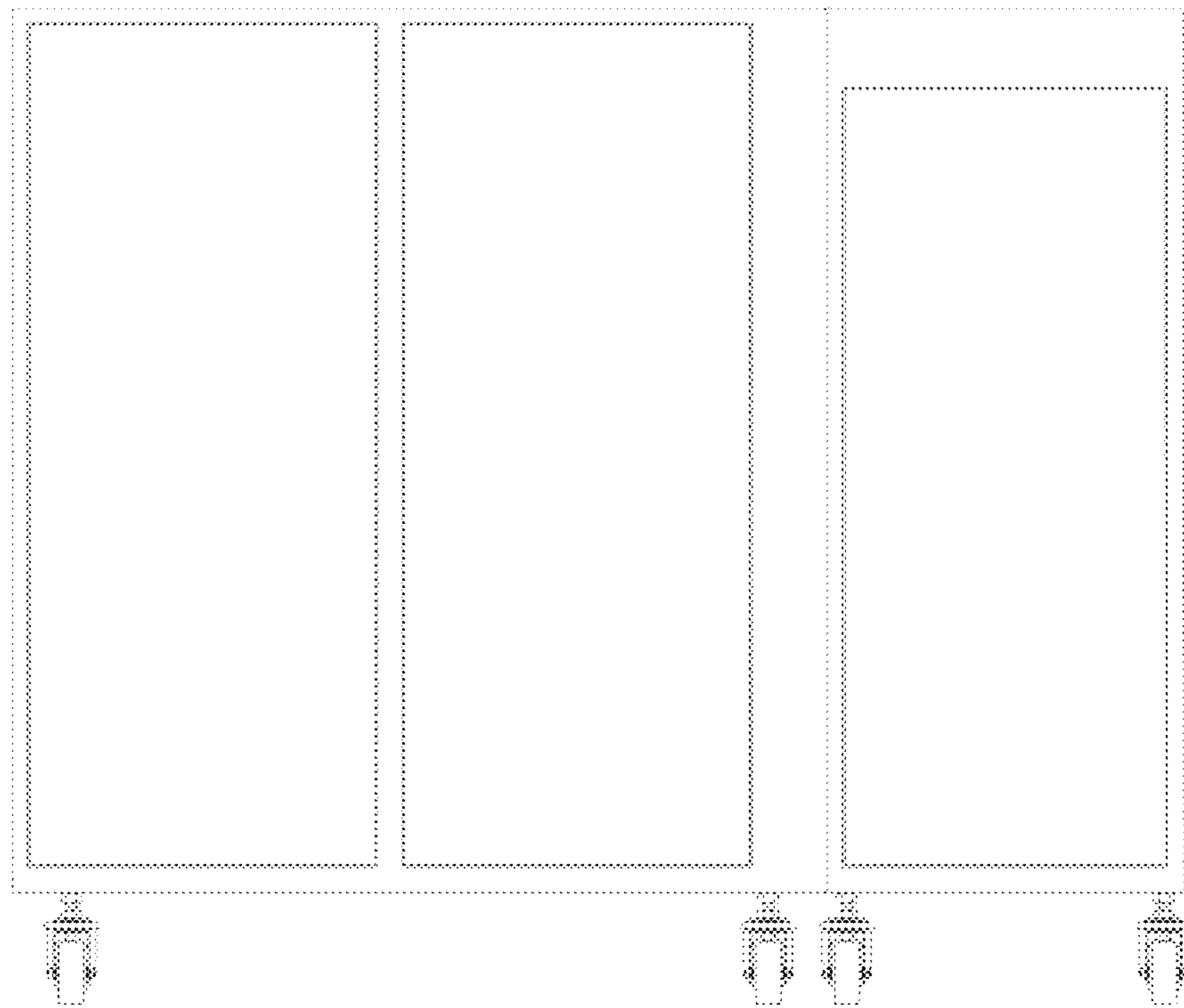
2.1



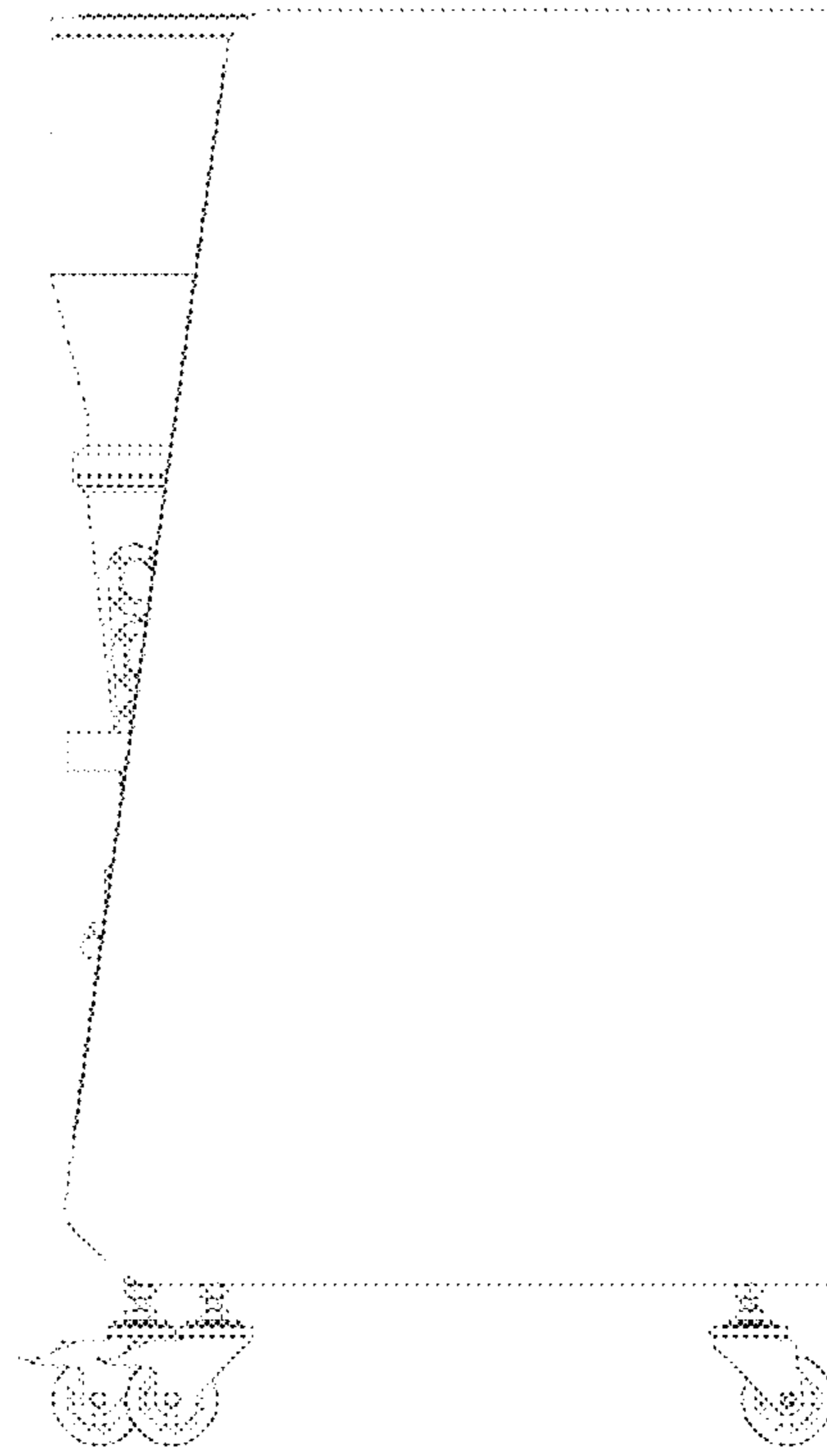
2.2



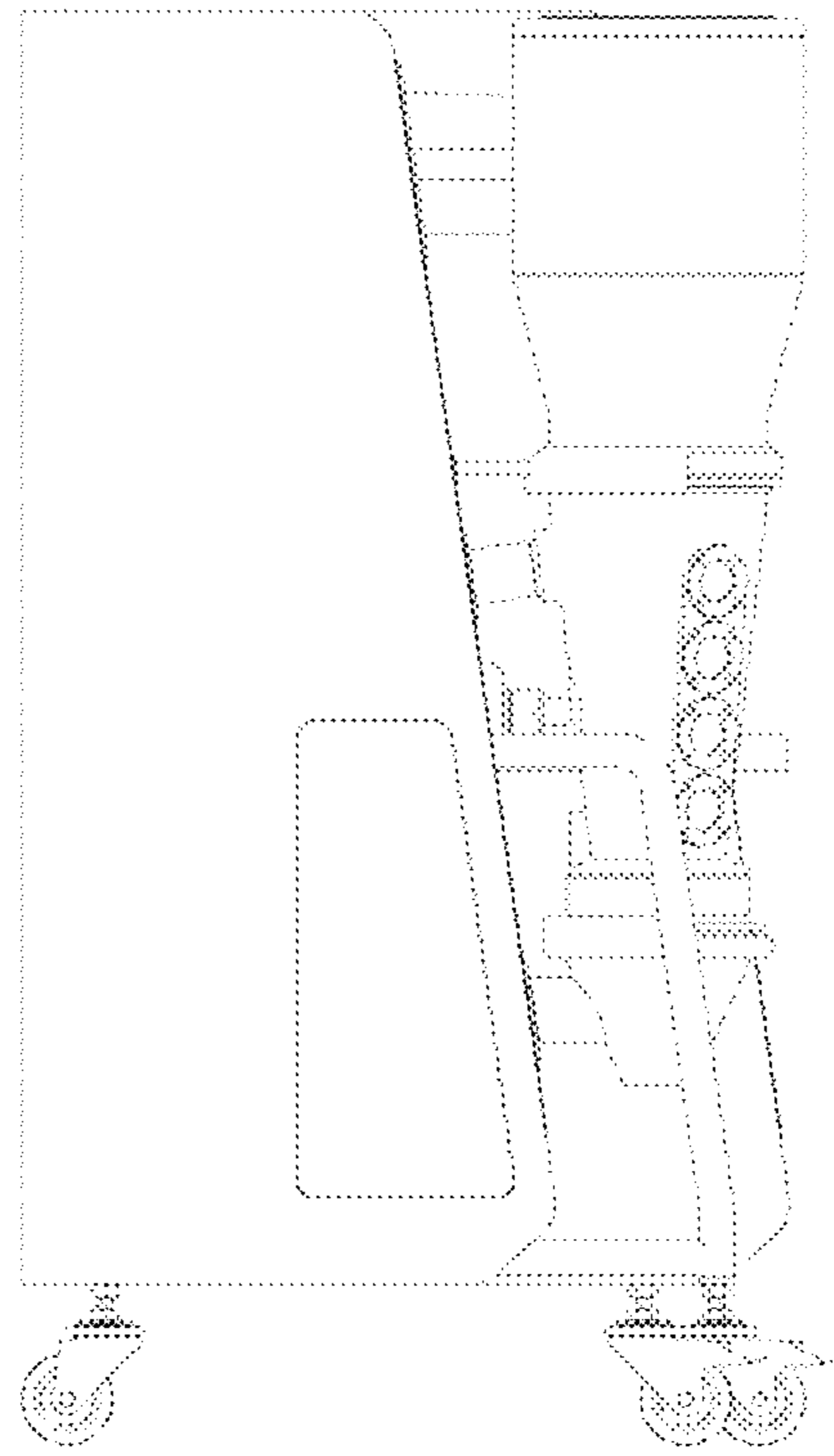
2.3



2.4



2.5



2.6

